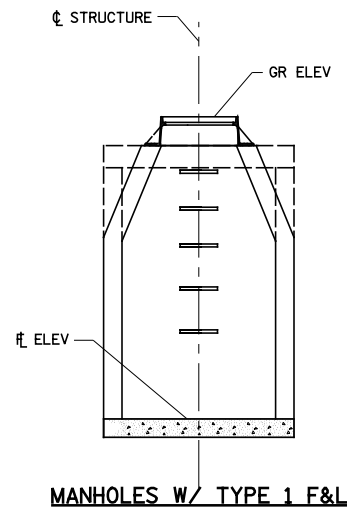
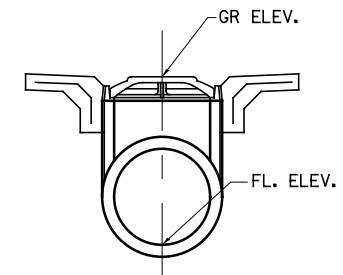


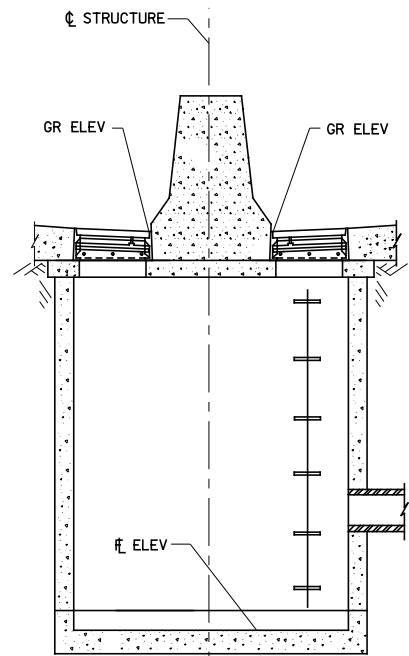
INLET TYPE A W/ TYPE 1 F&L



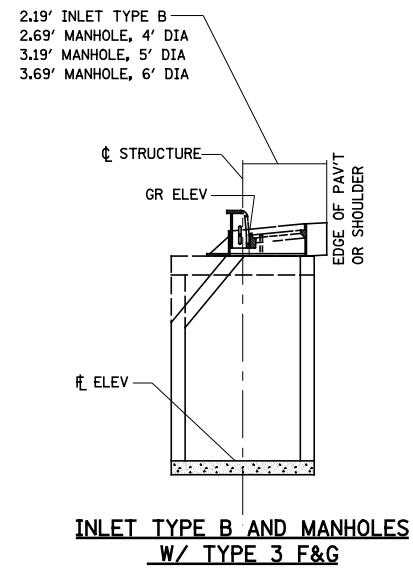
MANHOLES W/ TYPE 1 F&L



**24" MEDIAN INLET
WITH REINFORCED CONCRETE
PIPE TEE, 24" WITH 24" RISER**



**DRAINAGE STRUCTURE TYPE 5
W/ TWO TYPE 22 F&G**



**INLET TYPE B AND MANHOLES
W/ TYPE 3 F&G**

FILE NAME =	USER NAME = \$USER\$	DESIGNED - JWS	REVISED -
S:\Projects\403-00072.57-70\dgn\W Tr\ILV\miscellaneous\stals.dgn		DRAWN - PDB	REVISED -
	PLOT SCALE = \$SCALE\$	CHECKED - BRM	REVISED -
	PLOT DATE = \$DATE\$	DATE - 4-16-09	REVISED -

**STATE OF ILLINOIS
DEPARTMENT OF TRANSPORTATION**

MISCELLANEOUS DETAILS

SCALE: 1"=2.5' SHEET NO. 4 OF 6 SHEETS STA. TO STA.

F.A.I. RTE.	SECTION	COUNTY	TOTAL SHEETS	SHEET NO.
57/70	(25-4)R	EFFINGHAM	1760	508
FED. ROAD DIST. NO.			ILLINOIS FED. AID PROJECT	
			CONTRACT NO. 74295	