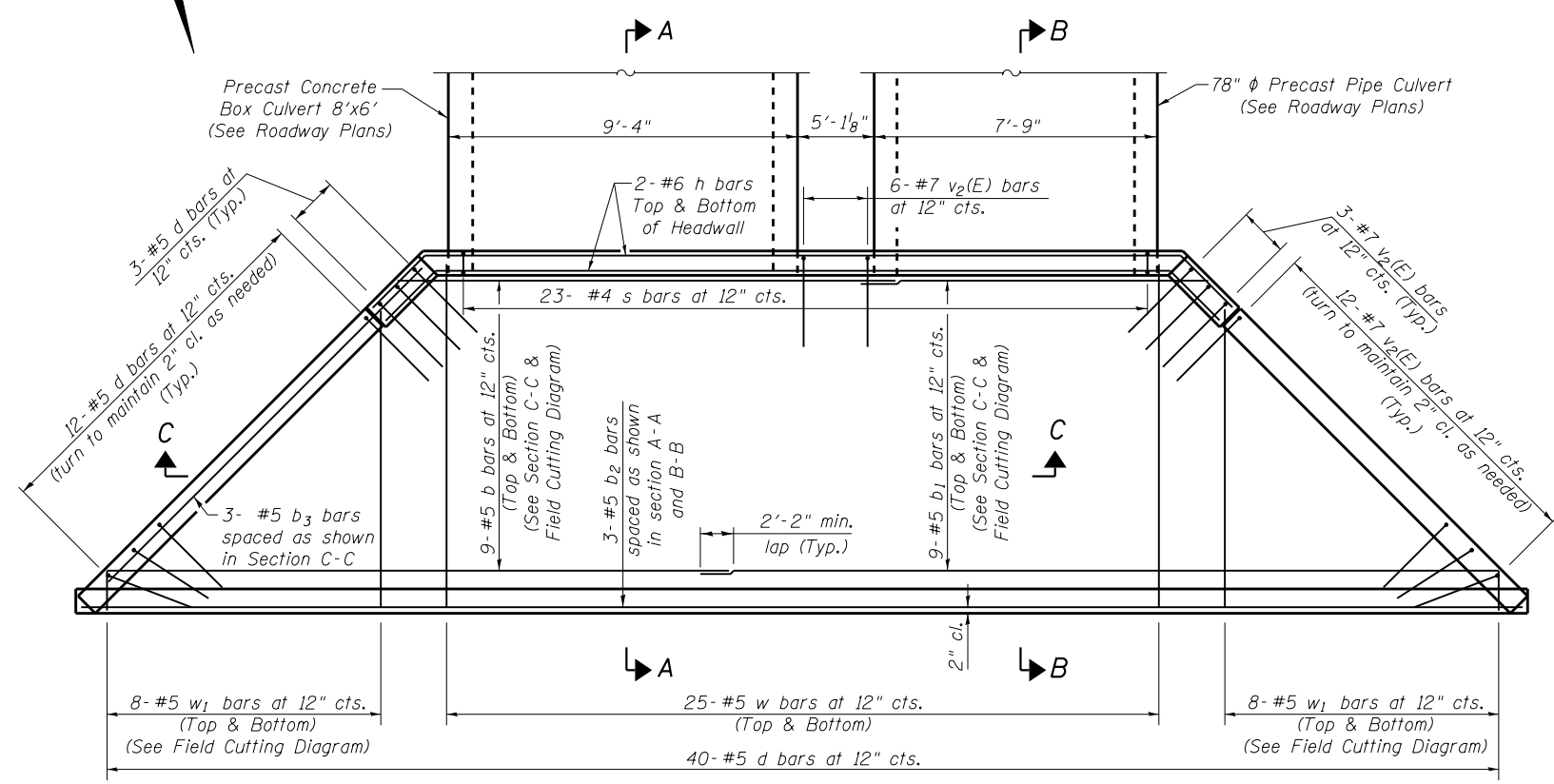
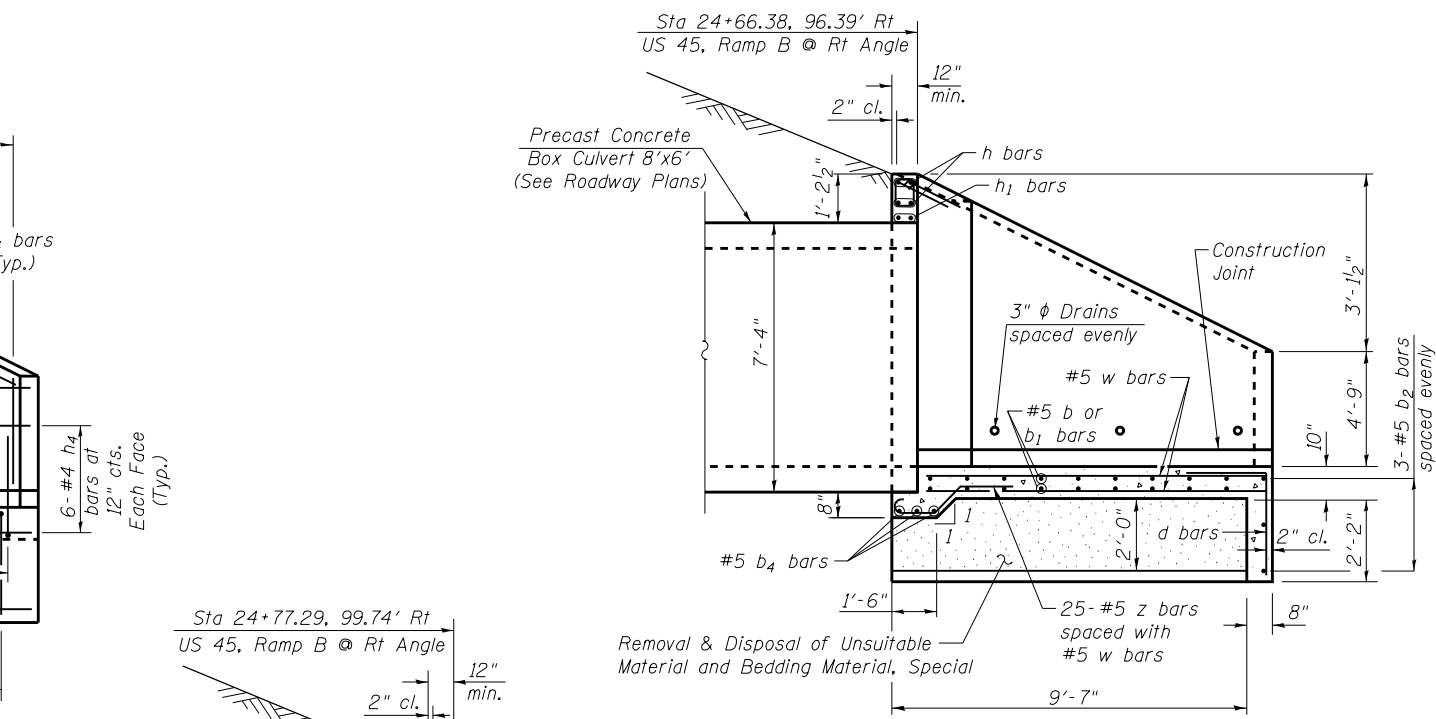


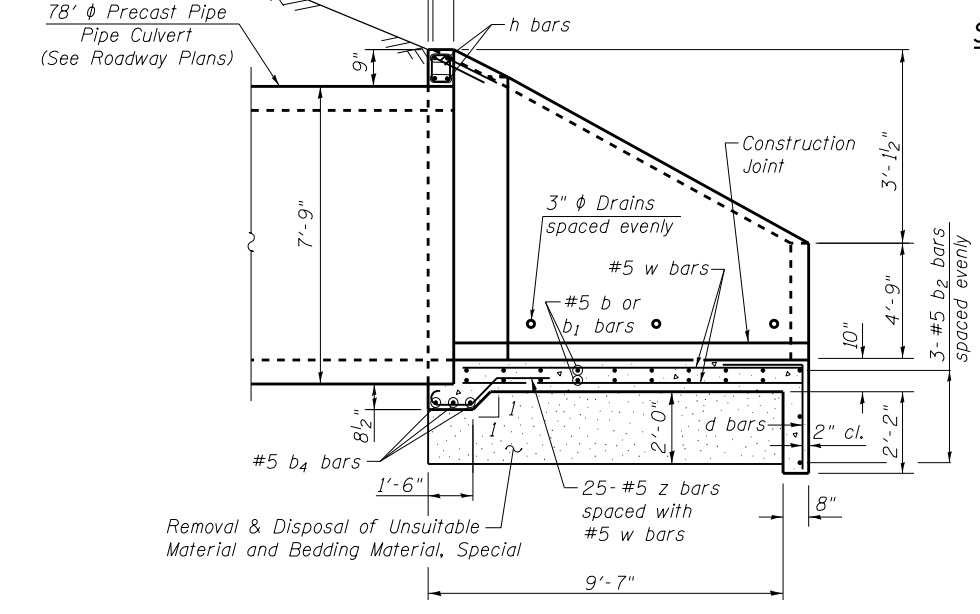
END ELEVATION



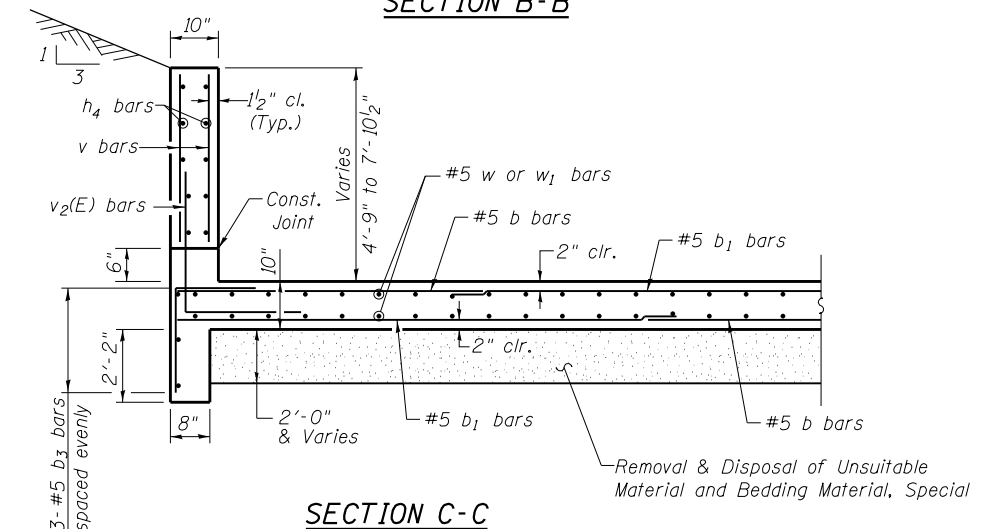
PLAN
(For z bars see Sections A-A, B-B & C-C)



SECTION A-A



SECTION B-B



SECTION C-C

S:\Projects\403\00072_57-70\Bridges\Culverts\US 45.dgn

FILE NAME = US 45.dgn
BERNARDINI LOCHMULLER & ASSOCIATES, INC.
3 OAK DRIVE
MARYVILLE, IL 62446
PHONE (618) 284-4666
FAX (618) 284-4666

USER NAME =
Illinois Design Firm Number 184,001670
PLOT SCALE =
PLOT DATE = 3:51:16 PM 5/11/2013

DESIGNED - ACS
CHECKED - BB
DRAWN - WJS
CHECKED - CJF

REVISED -
REVISED -
REVISED -
REVISED -

**STATE OF ILLINOIS
DEPARTMENT OF TRANSPORTATION**

**CULVERT END SECTION, RT. STA. 24 + 70.29
US ROUTE 45 - RAMPS A & B**

SHEET NO. 3 OF 8 SHEETS

F.A.I. RTE.	SECTION	COUNTY	TOTAL SHEETS	SHEET NO.
57/70	(25-4)R	EFFINGHAM	1760	514
CONTRACT NO. 74295				

ILLINOIS FED. AID PROJECT