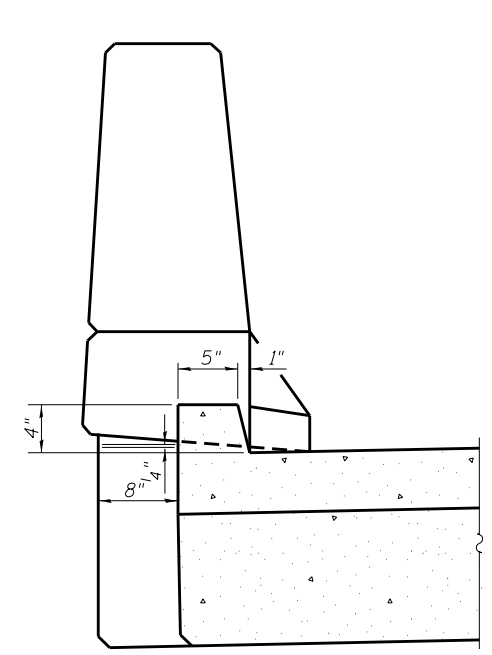
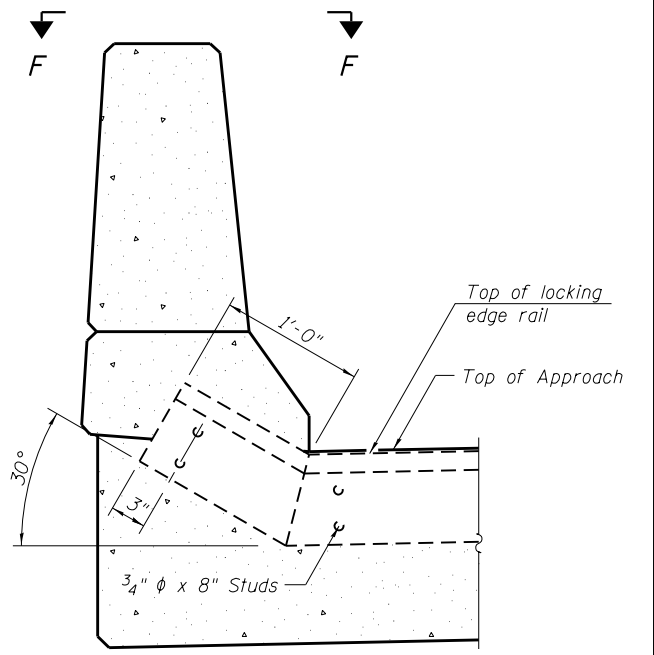


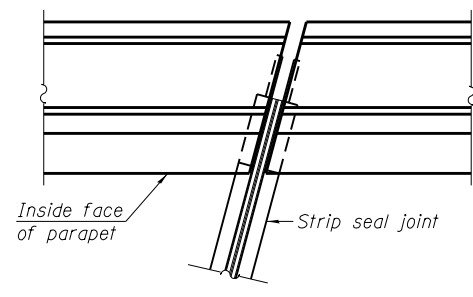
WEST APPROACH SLAB PLAN
(Showing wearing surface)



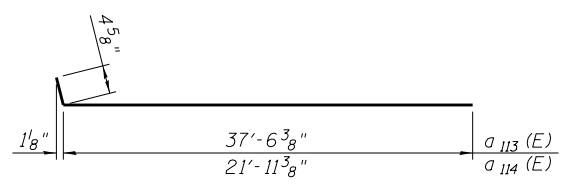
SECTION A-A



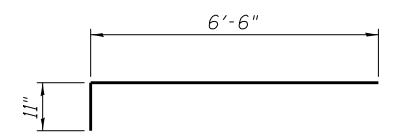
SECTION E-E



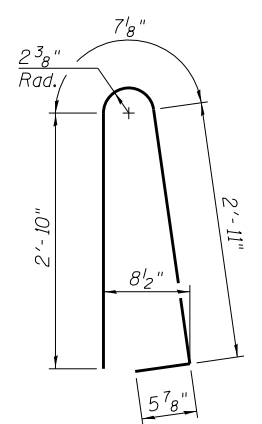
VIEW F-F



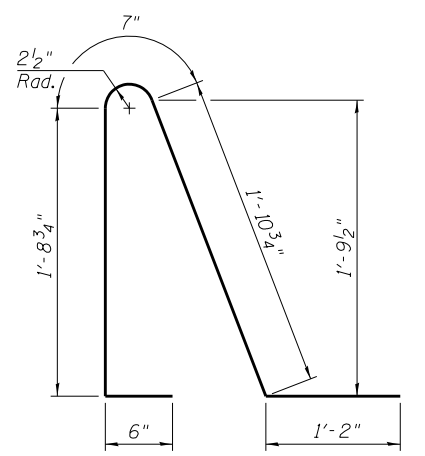
BAR a113 (E) & a114 (E)



BAR a116 (E)



BAR d102 (E)



BAR d105 (E)

Notes:
See sheet 37 of 79 for Sections B-B, C-C and D-D.
Bars indicated thus 20 x 2-#5 etc. indicates 20 lines of bars with 2 lengths per line.

MINIMUM BAR LAP

- #4 bar = 2'-0"
- #5 bar = 2'-7"

* Lap with each a114 (E) bar