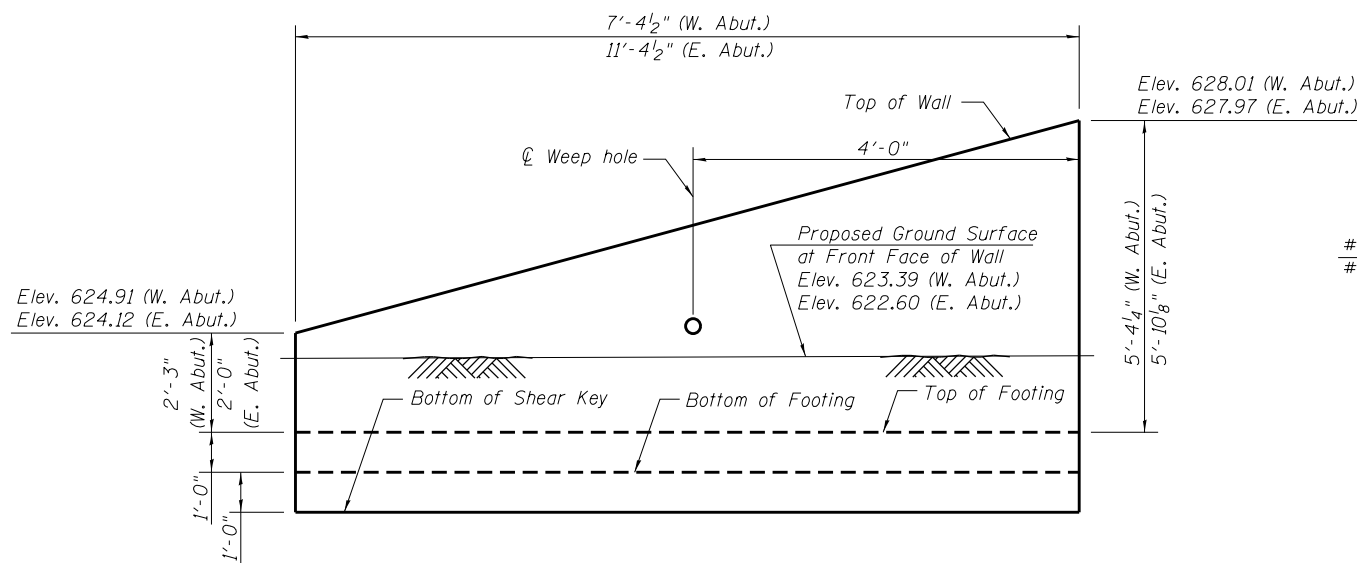


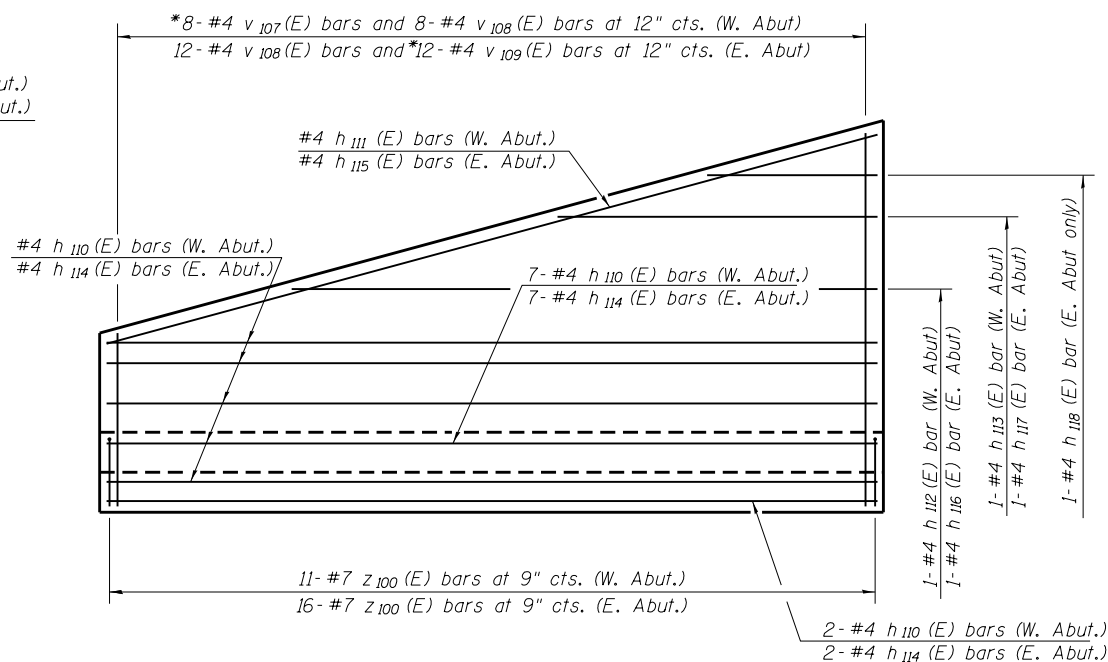
Notes:
 Maximum allowable soil pressure on prepare subgrade = 2000 psf.
 Structure excavation associated with Wingwalls is included in the abutment Bill of Materials on sheets 58 & 59 of 79.

**WINGWALLS (WB)
 BILL OF MATERIAL**

Bar	No.	Size	Length	Shape
h ₁₁₀ (E)	14	#4	7'-0"	
h ₁₁₁ (E)	1	#4	7'-8"	
h ₁₁₂ (E)	1	#4	4'-7"	
h ₁₁₃ (E)	1	#4	2'-2"	
h ₁₁₄ (E)	14	#4	11'-1"	
h ₁₁₅ (E)	1	#4	11'-9"	
h ₁₁₆ (E)	1	#4	8'-2"	
h ₁₁₇ (E)	1	#4	5'-2"	
h ₁₁₈ (E)	1	#4	2'-3"	
v ₁₀₇ (E)	4	#4	6'-10"	
v ₁₀₈ (E)	20	#4	3'-8"	
v ₁₀₉ (E)	6	#4	7'-1"	
Z ₁₀₀ (E)	27	#7	7'-7"	
Concrete Structures			Cu. Yd.	6.8
Reinforcement Bars, Epoxy Coated			Pound	720

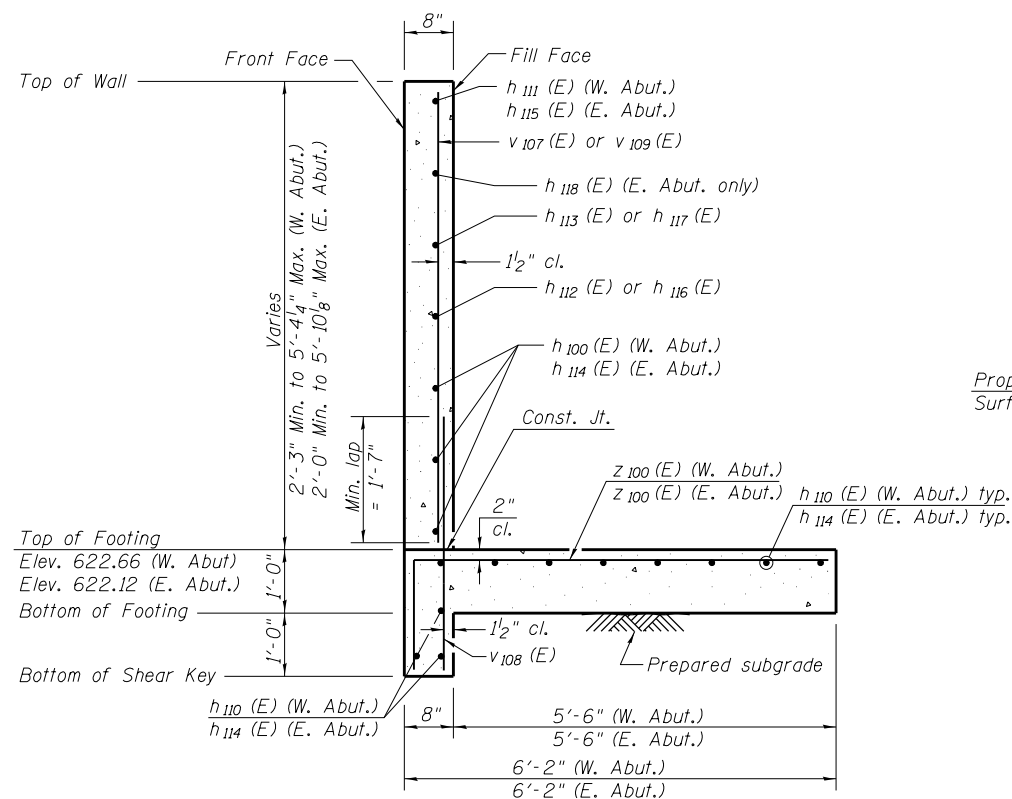


ELEVATION
 (Looking East)

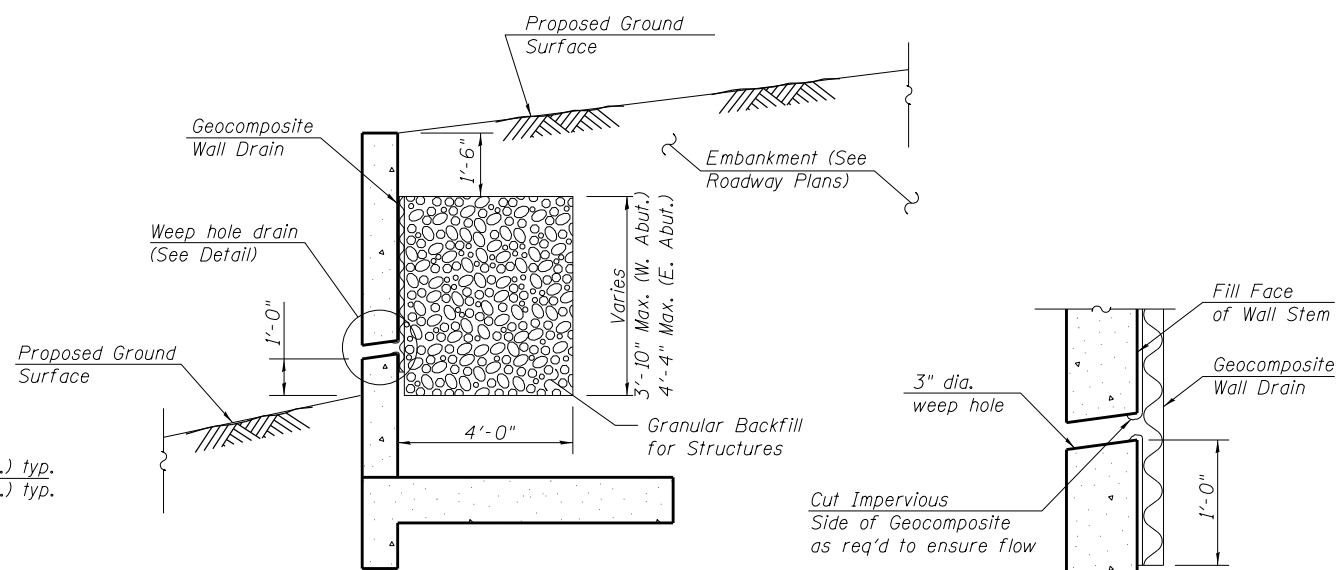


ELEVATION SHOWING REINFORCEMENT
 (Looking East)

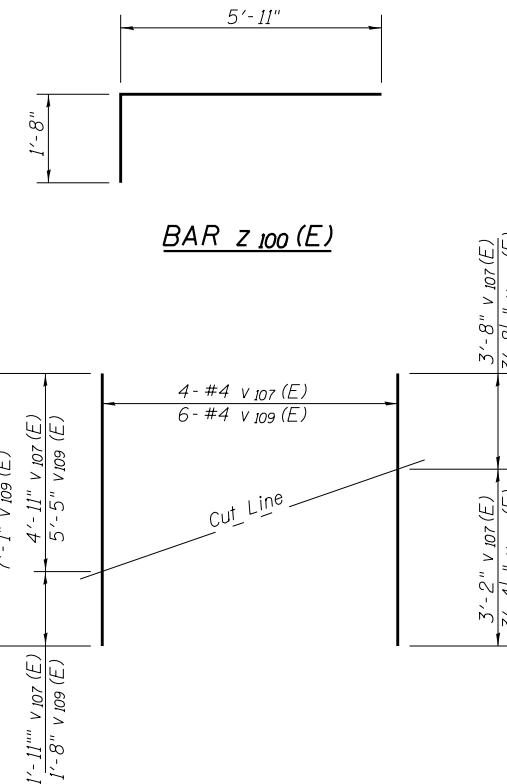
* See Field Cutting Diagram



SECTION THRU WALL



WEEP HOLE DRAIN DETAILS



FIELD CUTTING DIAGRAM

Order bars full length. Cut as shown and use remainder of bars in opposite end of wall.