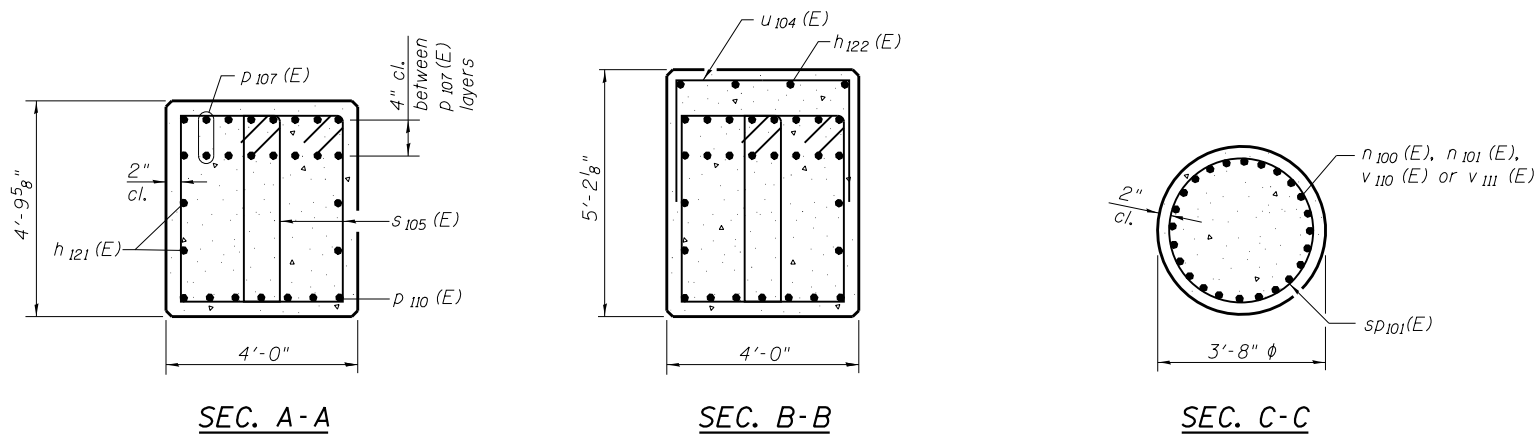
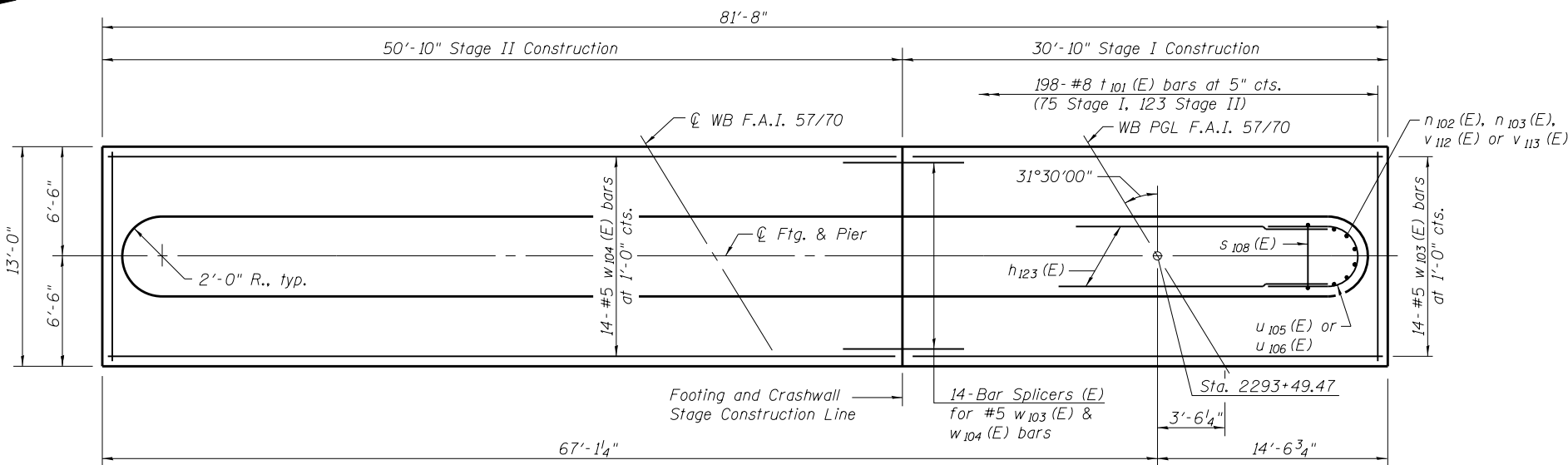
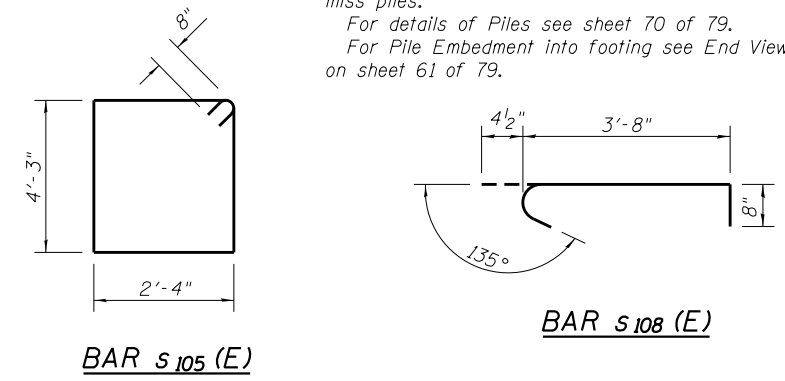


PILE DATA

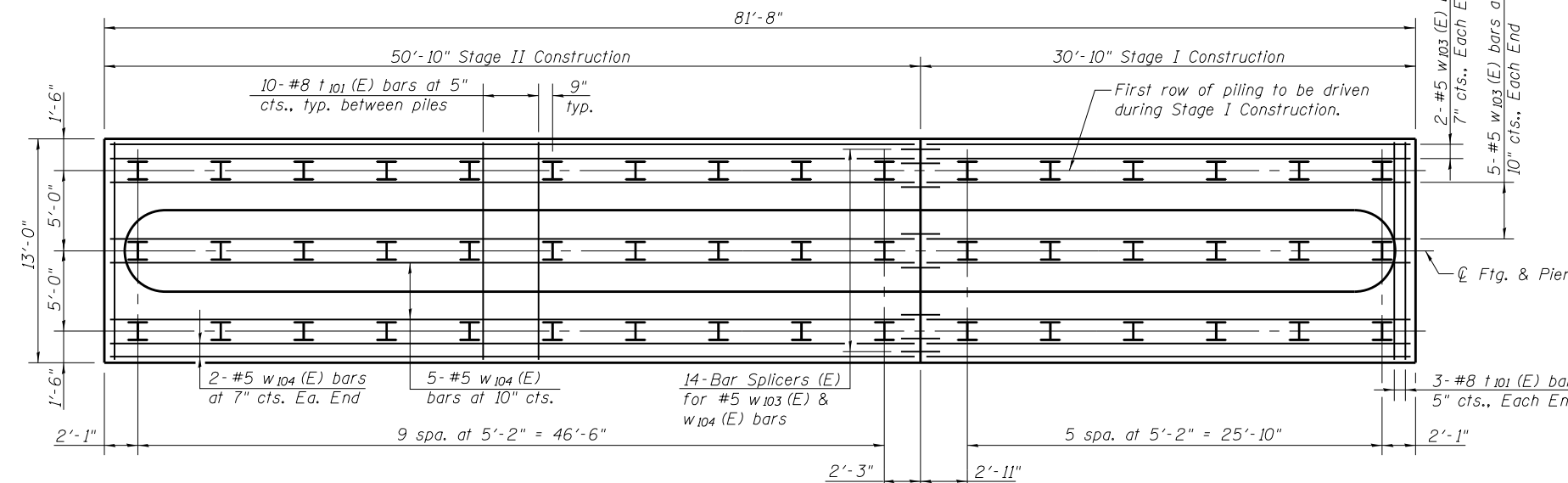
Type: HP 14x89
 Nominal Required Bearing: 461K
 Factored Resistance Available: 253K
 Est. Length: 62'-0"
 No. Production Piles: 47
 No. Test Piles: 1



Notes:
 Space $t_{101}(E)$, $w_{103}(E)$ and $w_{104}(E)$ bars to miss piles.
 For details of Piles see sheet 70 of 79.
 For Pile Embedment into footing see End View on sheet 61 of 79.



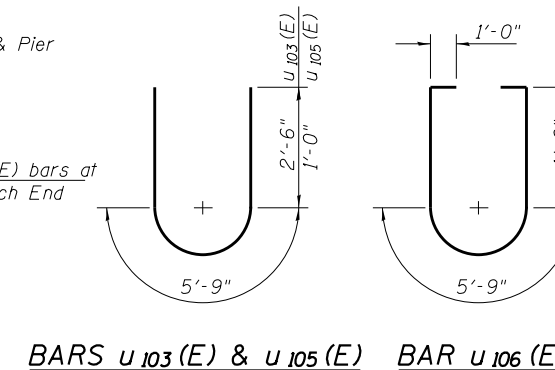
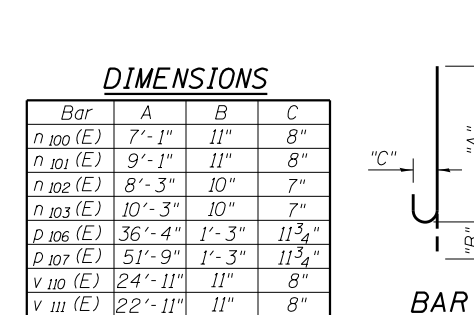
FOOTING PLAN
(Showing Top Reinforcement)



FOOTING PLAN
(Showing Bottom Reinforcement)

DIMENSIONS

Bar	A	B	C
$n_{100}(E)$	7'-1"	11"	8"
$n_{101}(E)$	9'-1"	11"	8"
$n_{102}(E)$	8'-3"	10"	7"
$n_{103}(E)$	10'-3"	10"	7"
$p_{106}(E)$	36'-4"	1'-3"	11 3/4"
$p_{107}(E)$	51'-9"	1'-3"	11 3/4"
$v_{110}(E)$	24'-11"	11"	8"
$v_{111}(E)$	22'-11"	11"	8"



BILL OF MATERIAL

Bar	No.	Size	Length	Shape
$h_{119}(E)$	4	#5	34'-6"	—
$h_{120}(E)$	4	#4	18'-1"	—
$h_{121}(E)$	4	#5	49'-11"	—
$h_{122}(E)$	4	#4	34'-3"	—
$h_{123}(E)$	44	#6	26'-8"	—
$h_{124}(E)$	44	#6	46'-8"	—
$n_{100}(E)$	84	#8	8'-0"	—
$n_{101}(E)$	84	#8	10'-0"	—
$n_{102}(E)$	84	#7	9'-1"	—
$n_{103}(E)$	84	#7	11'-1"	—
$p_{106}(E)$	16	#9	37'-7"	—
$p_{107}(E)$	16	#9	53'-0"	—
$p_{108}(E)$	7	#9	31'-4"	—
$p_{109}(E)$	7	#9	5'-0"	—
$p_{110}(E)$	7	#9	46'-11"	—
$p_{111}(E)$	7	#9	4'-11"	—
$s_{105}(E)$	306	#6	14'-6"	—
$s_{106}(E)$	78	#7	24'-4"	—
$s_{107}(E)$	80	#6	8'-10"	—
$s_{108}(E)$	673	#4	4'-9"	—
$sp_{101}(E)$	7	#5	31'-6"	—
$t_{101}(E)$	354	#8	12'-8"	—
$u_{103}(E)$	6	#5	10'-9"	—
$u_{104}(E)$	55	#4	6'-6"	—
$u_{105}(E)$	18	#6	7'-9"	—
$u_{106}(E)$	26	#6	15'-9"	—
$v_{110}(E)$	84	#8	25'-10"	—
$v_{111}(E)$	84	#8	23'-10"	—
$v_{112}(E)$	6	#7	9'-4"	—
$v_{113}(E)$	6	#7	11'-4"	—
$w_{103}(E)$	28	#5	30'-6"	—
$w_{104}(E)$	28	#5	50'-6"	—
Structure Excavation		Cu. Yd.	407	
Concrete Structures		Cu. Yd.	471.3	
Reinforcement Bars, Epoxy Coated		Pound	68,040	
Furnishing - Piles, HP14x89		Foot	2914	
Driving Piles		Foot	2914	
Test Pile		Each	1	

* Length is height of spiral.