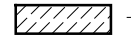
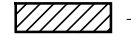

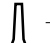

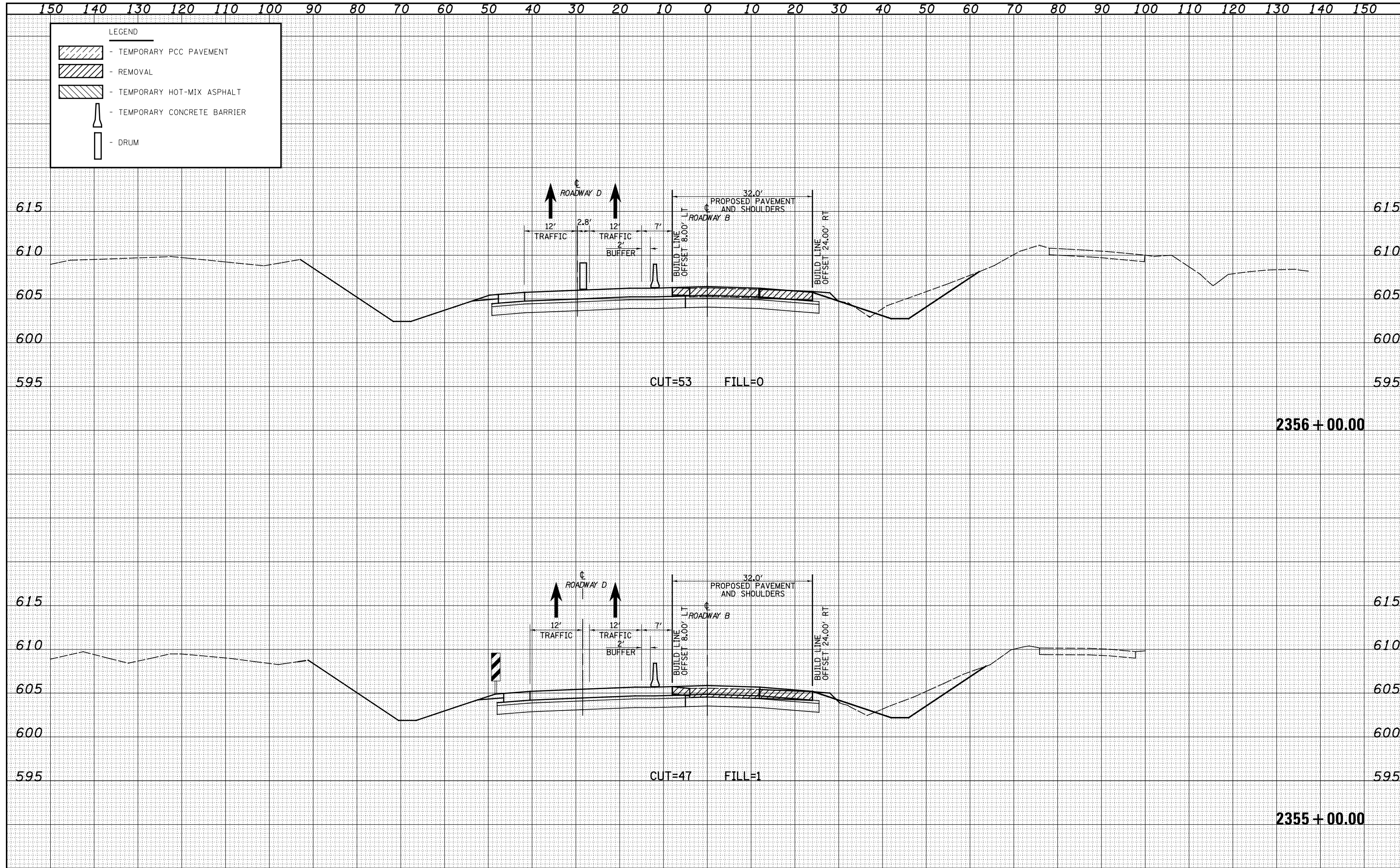


DATE	
BY	
SURVEYED	
PLOTTED	
TEMPLATE	
AREAS	
CHECKED	
FINAL SURVEY	
NOTE BOOK	
NO.	

DATE	
BY	
SURVEYED	
PLOTTED	
TEMPLATE	
AREAS	
CHECKED	
ORIGINAL SURVEY	
NOTE BOOK	
NO.	

**LEGEND**

-  - TEMPORARY PCC PAVEMENT
-  - REMOVAL
-  - TEMPORARY HOT-MIX ASPHALT
-  - TEMPORARY CONCRETE BARRIER
-  - DRUM



FILE NAME = S:\Projects\03-00072-57-70.dwg  
 USER NAME = \*USER\*

DESIGNED - JWS  
 DRAWN - SGK  
 CHECKED - BRM  
 DATE - 5-02-08

REVISED -  
 REVISED -  
 REVISED -  
 REVISED -

**STATE OF ILLINOIS  
 DEPARTMENT OF TRANSPORTATION**

**MAINTENANCE OF TRAFFIC NORTH TRI LEVEL - ROADWAY B (STAGE 2)**  
 SCALE: 1"=10'  
 SHEET NO. 7 OF 30 SHEETS  
 STA. 2355+00.00 TO STA. 2356+00.00

F.A.I. RTE.	SECTION	COUNTY	TOTAL SHEETS	SHEET NO.
57/70	(25-4)R	EFFINGHAM	1760	1349
FED. ROAD DIST. NO. ILLINOIS FED. AID PROJECT			CONTRACT NO. 74295	