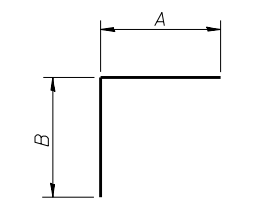
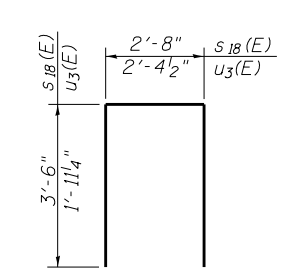


Notes:
Bars shall be drilled and grouted according to Section 584 of the Standard Specifications.
Concrete Sealer shall be applied only to exposed surfaces of the new concrete on Pier 2.
See Sheet 24 of 28 for additional Bar Bend Details.



s₁₇(E) & v(E) BARS

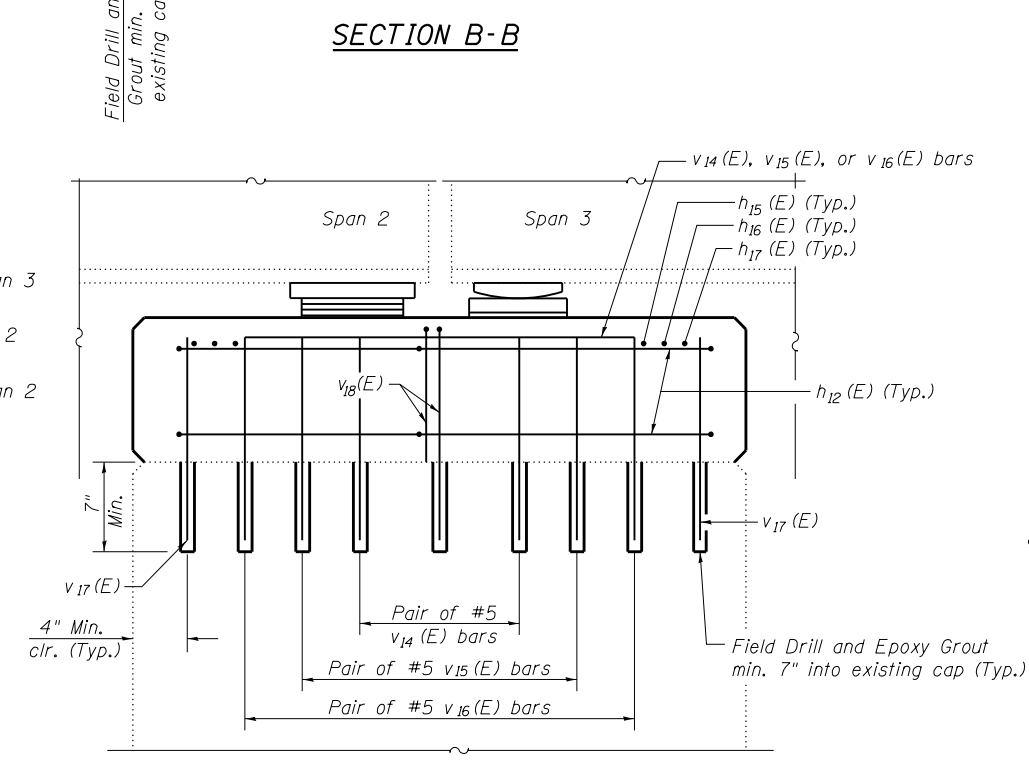
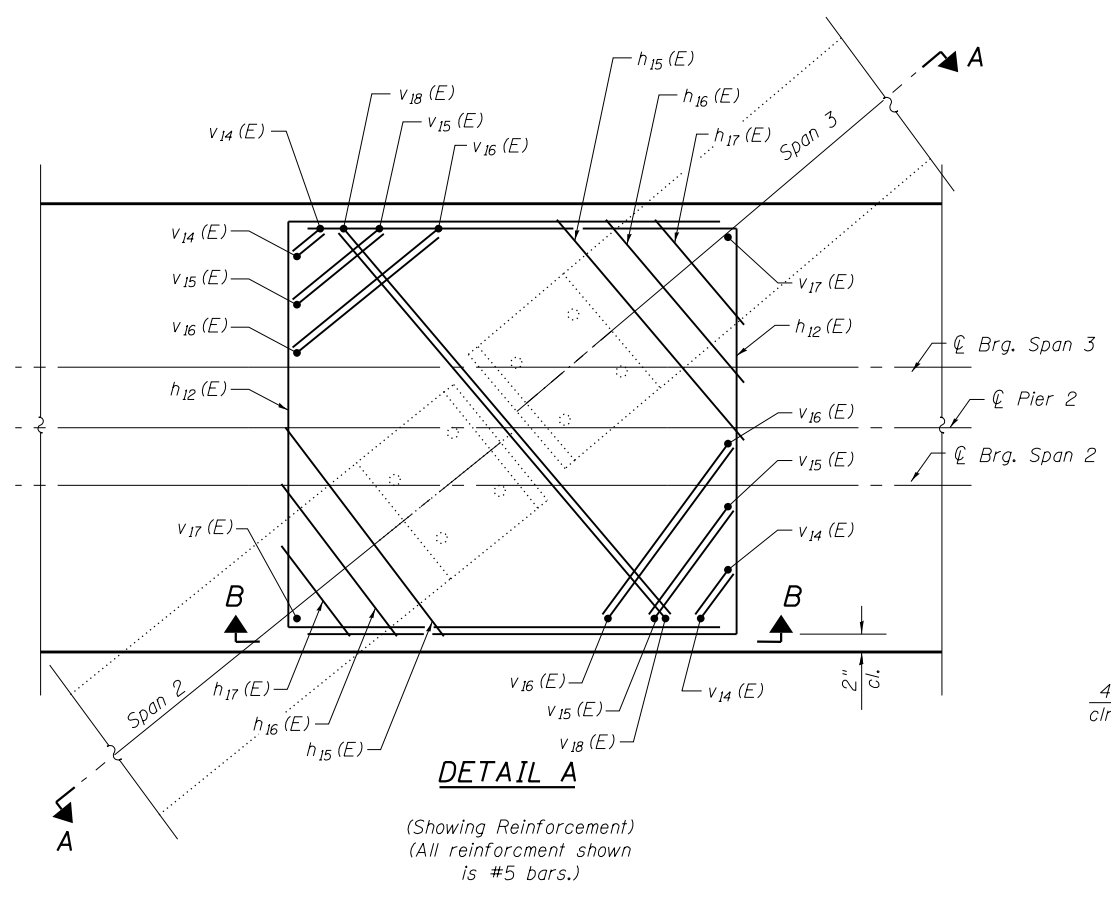
Bar	A	B
s ₁₇ (E)	2'-8"	1'-2"
v ₁₄ (E)	4"	1'-2"
v ₁₅ (E)	10"	1'-2"
v ₁₆ (E)	1'-4"	1'-2"
v ₁₈ (E)	3'-3"	1'-2"



s₁₈(E) & u₃(E) BARS

PIER 2
BILL OF MATERIAL

Bar	No.	Size	Length	Shape
d ₃ (E)	32	#5	4'-3"	—
h ₁₂ (E)	24	#5	8'-2"	⊏
h ₁₅ (E)	12	#5	1'-7"	—
h ₁₆ (E)	12	#5	1'-1"	—
h ₁₇ (E)	12	#5	8"	—
p ₁₇ (E)	18	#5	12'-2"	—
p ₂₀ (E)	2	#5	8'-2"	—
p ₂₁ (E)	6	#5	11'-9"	—
p ₂₂ (E)	2	#5	8'-11"	—
p ₂₃ (E)	2	#5	9'-6"	—
p ₂₄ (E)	8	#5	5'-5"	—
p ₂₅ (E)	10	#5	3'-4"	—
p ₂₆ (E)	2	#5	1'-9"	—
p ₂₇ (E)	2	#5	2'-6"	—
p ₂₈ (E)	2	#5	1'-3"	—
p ₂₉ (E)	4	#5	1'-11"	—
s ₁₄ (E)	48	#5	5'-7"	⊏
s ₁₇ (E)	76	#5	3'-10"	⊏
s ₁₈ (E)	6	#5	9'-10"	⊏
u ₃ (E)	3	#5	6'-3"	⊏
v ₁₃ (E)	8	#5	3'-5"	—
v ₁₄ (E)	24	#5	1'-6"	⊏
v ₁₅ (E)	24	#5	2'-0"	⊏
v ₁₆ (E)	24	#5	2'-6"	⊏
v ₁₇ (E)	12	#5	1'-2"	—
v ₁₈ (E)	12	#5	4'-5"	⊏
Concrete Structures		Cu. Yd.	12.7	
Reinforcement Bars, Epoxy Coated		Pound	1760	
Concrete Sealer		Sq. Ft.	526	



(All v(E) bars shown are drilled and grouted)
Side Retainers not shown for clarity