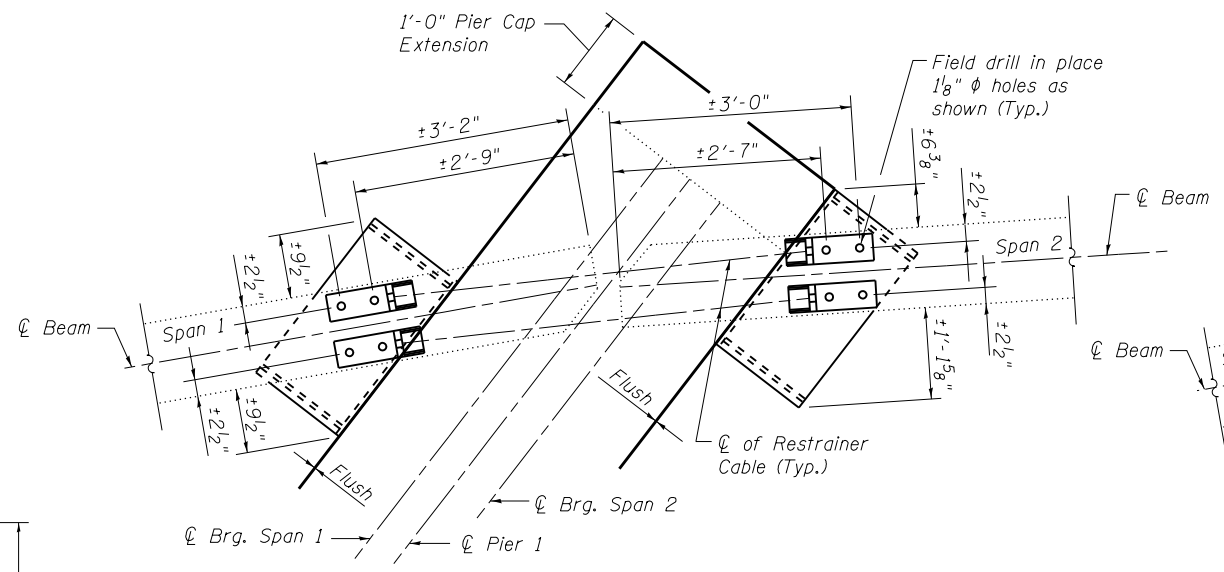
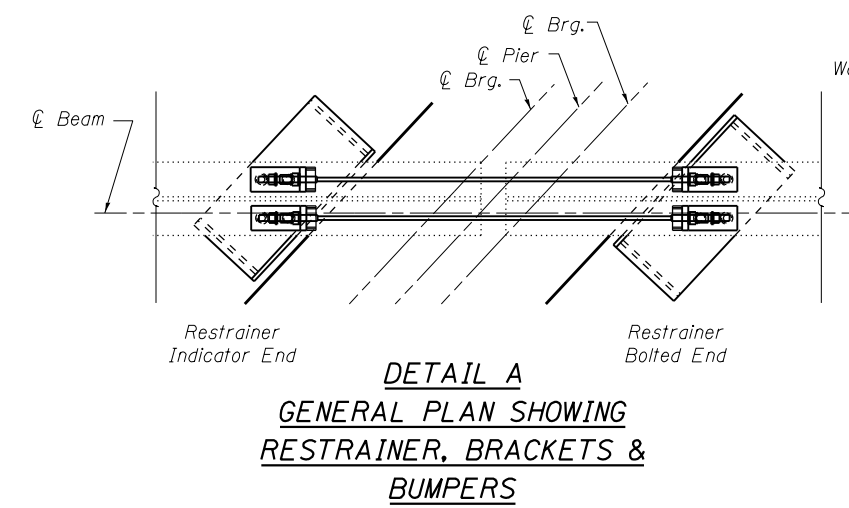
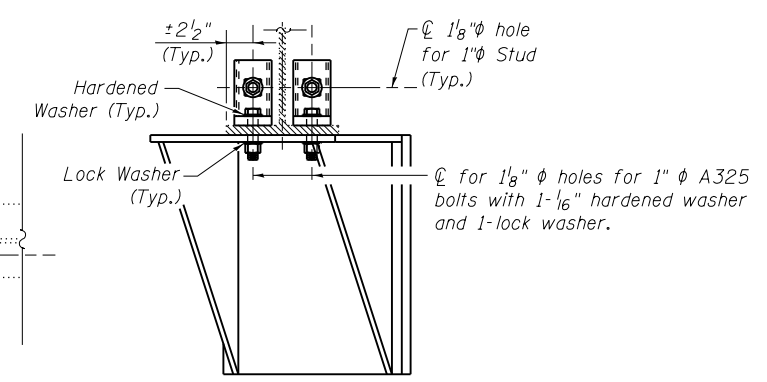


BUMPER DETAILS
(32 Required)



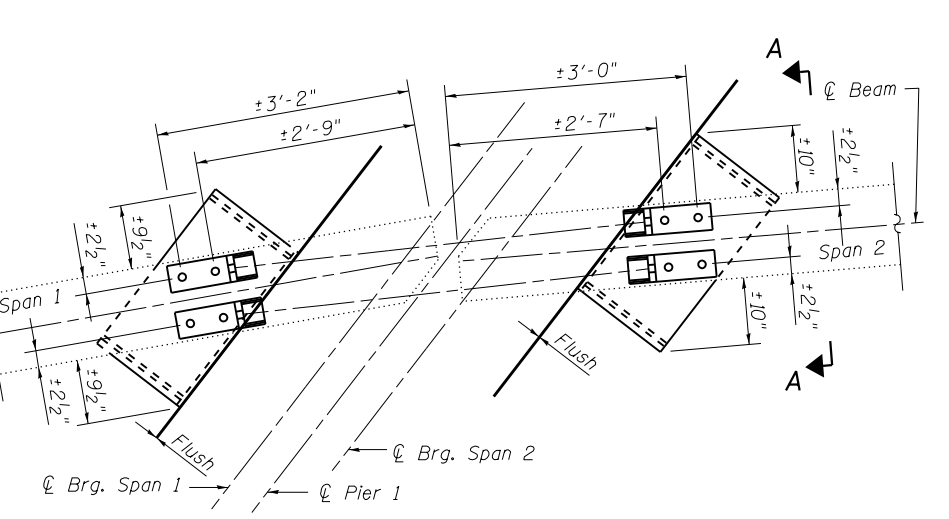
PIER 1 PLAN
(Beam 4)
(1 Required)

*Existing beam flanges and bumpers shall be field drilled. The holes shall be subdrilled to 1" ϕ and reamed to 1 1/8" ϕ .

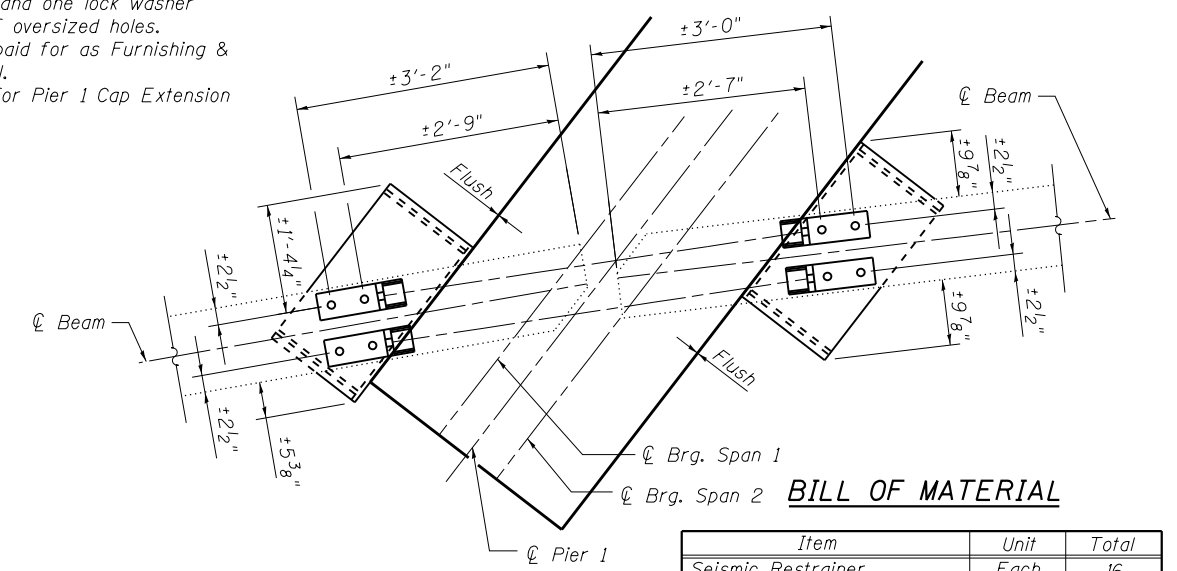


SECTION A-A
Bumper shown on skew

Notes:
The backing off of the nut in step 5 of Cable Restrainer Unit Installation Procedure on sheet 13 of 35 should be omitted at Pier 1 and Pier 4.
The disc springs should be fully compressed during installation at Pier 1, Span 1 and Pier 4, Span 5.
For additional notes see sheet 15 of 35.
One hardened washer and one lock washer required for each set of oversized holes.
Bumpers shall be paid for as Furnishing & Erecting Structural Steel.
See sheet 23 of 35 for Pier 1 Cap Extension Details.



PIER 1 PLAN
(Beams 2 & 3)
(2 Required)



PIER 1 PLAN
(Beam 1)
(1 Required)

BILL OF MATERIAL

Item	Unit	Total
Seismic Restrainer	Each	16
Furnishing & Erecting Structural Steel	Pound	9240