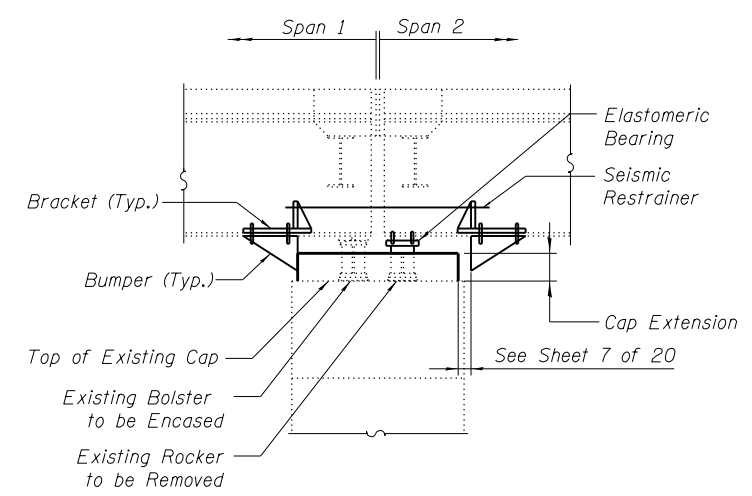
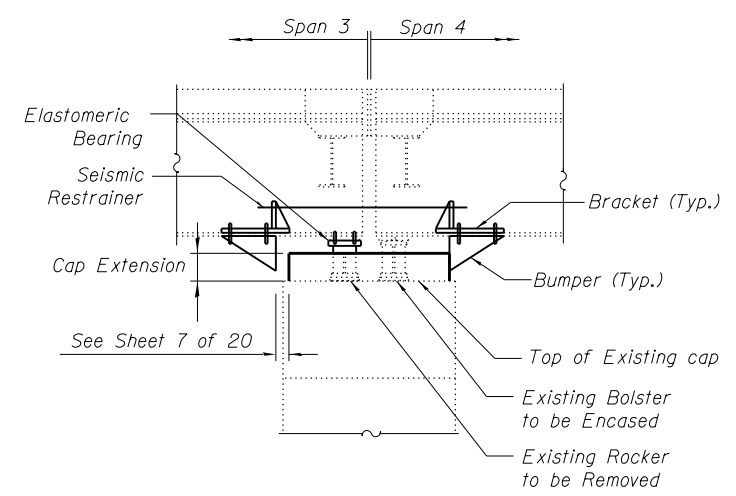


**SECTION A-A**



**SECTION B-B**



**SECTION C-C**

 Indicates Removal and Replacement of Concrete Slopewall

S:\Projects\403-00072\_57-70\Bridges\Bridges\025-0062\_TR over 57-70\025-0062-74295-003.dgn

|                                   |                                  |                  |           |
|-----------------------------------|----------------------------------|------------------|-----------|
| FILE NAME = 0250062-74295-003.dgn | USER NAME =                      | DESIGNED - B.B.  | REVISED - |
|                                   |                                  | CHECKED - A.C.S. | REVISED - |
|                                   | PLOT SCALE =                     | DRAWN - B.B.     | REVISED - |
|                                   | PLOT DATE = 2:29:37 PM 8/15/2013 | CHECKED - C.J.F. | REVISED - |

**STATE OF ILLINOIS  
DEPARTMENT OF TRANSPORTATION**

**GENERAL INFORMATION  
STRUCTURE NO. 025-0062**

SHEET NO. 3 of 20 SHEETS

| F.A.I. RTE.               | SECTION     | COUNTY    | TOTAL SHEETS | SHEET NO.          |
|---------------------------|-------------|-----------|--------------|--------------------|
| 70                        | (25-4HB-2)I | EFFINGHAM | 1760         | 1743               |
|                           |             |           |              | CONTRACT NO. 74295 |
| ILLINOIS FED. AID PROJECT |             |           |              |                    |