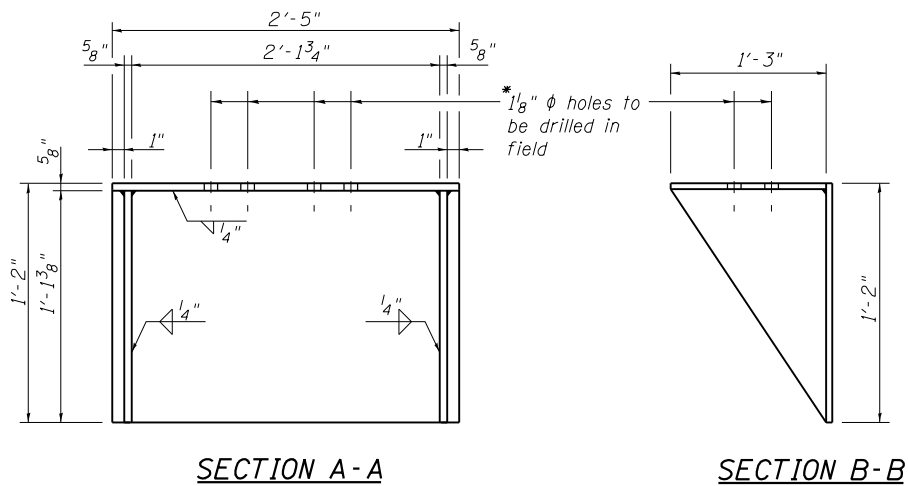


PLAN

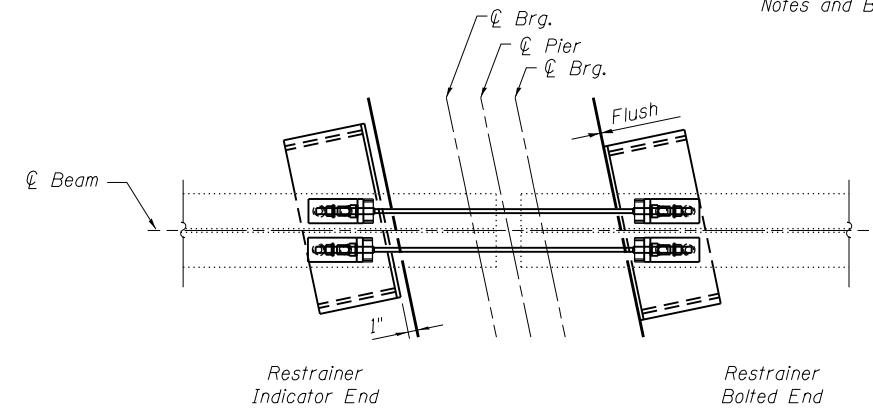
1/8" ϕ holes to be field drilled. (Typ.)



SECTION A-A

SECTION B-B

BUMPER DETAILS
(20 Required)



DETAIL A
GENERAL PLAN SHOWING
RESTRAINER, BRACKETS &
BUMPERS

Notes:
See Sheet 8 of 20 for Additional Details, Notes and Bill of Materials.

*Existing beam flanges and bumpers shall be field drilled. The holes shall be subdrilled to 1" ϕ and reamed to 1/8" ϕ .

S:\Proj\1043-00072_57-70\Bridges\Bridge_025-0062_TR over 57-70\025-0062-74295-007.dgn

FILE NAME = 0250062-74295-007.dgn	USER NAME =	DESIGNED - B.B.	REVISED -
BERNARDINI LOCHMULLER & ASSOCIATES, INC. 3 OAK DRIVE MARYVILLE, IL 62442 PHONE (618) 284-4866 FAX (618) 284-4866	CHECKED - A.C.S.	REVISIONS	
	DRAWN - B.B.	REVISIONS	
PLOT DATE = 2:29:40 PM 8/15/2013	CHECKED - C.J.F.	REVISIONS	

STATE OF ILLINOIS
DEPARTMENT OF TRANSPORTATION

BUMPER DETAILS
STRUCTURE NO. 025-0062

SHEET NO. 7 of 20 SHEETS

F.A.I. RTE.	SECTION	COUNTY	TOTAL SHEETS	SHEET NO.
70	(25-4HB-2)I	EFFINGHAM	1760	1747
CONTRACT NO. 74295				

ILLINOIS FED. AID PROJECT