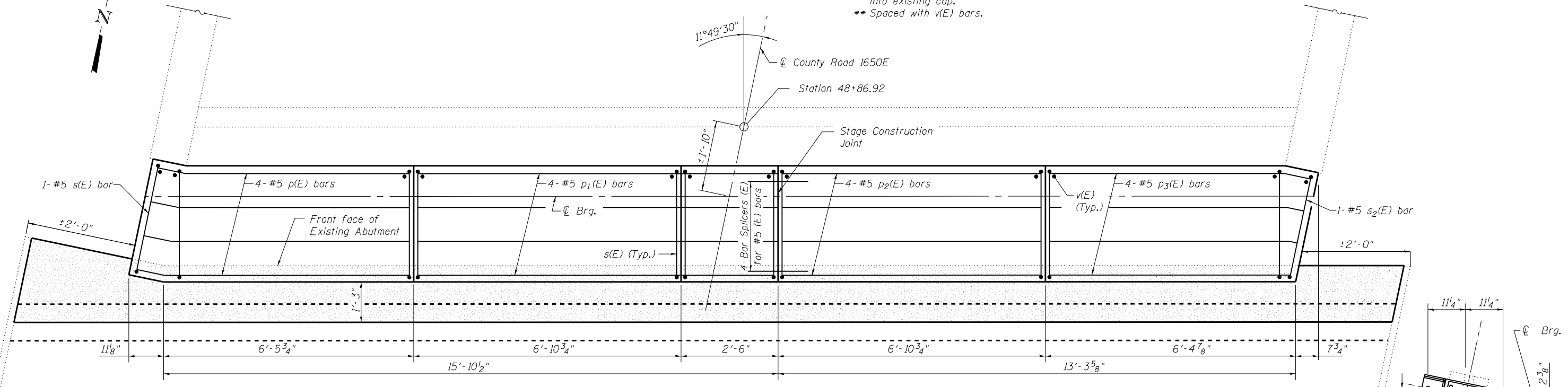


**ELEVATION**  
(Looking North)

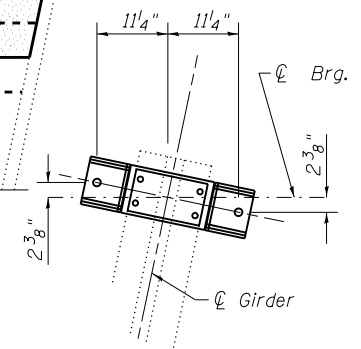
Notes:  
For Section A-A see Sheet 12 of 20.  
Space reinforcement to miss anchor bolts.  
Bars shall be drilled and grouted according to Section 584 of the Standard Specifications.  
Order p(E) and p<sub>3</sub>(E) bars full length and cut to fit with 2" clear.

\* Field Drill and Epoxy Grout min. 7" into existing cap.  
\*\* Spaced with v(E) bars.



**PLAN**

Indicates Slopewall Removal & Replacement



**ANCHOR BOLT DETAIL**  
**NORTH ABUTMENT**

S:\Proj\1043\00072\_57-70\Bridges\Bridge\_025-0062\_TR over 57-70\025-0062-74295-011.dgn

FILE NAME = 0250062-74295-011.dgn  
BERNHARDEN \* LOCHMULLER & ASSOCIATES, INC.  
3 DAK DRIVE  
MARYVILLE, IL 62442  
PHONE (618) 281-4666  
FAX (618) 281-4666

USER NAME =	DESIGNED - B.B.	REVISED -
PLOT SCALE =	CHECKED - A.C.S.	REVISED -
PLOT DATE = 2:29:43 PM 8/15/2013	DRAWN - B.B.	REVISED -
	CHECKED - C.J.F.	REVISED -

**STATE OF ILLINOIS**  
**DEPARTMENT OF TRANSPORTATION**

**NORTH ABUTMENT DETAILS**  
**STRUCTURE NO. 025-0062**

SHEET NO. 11 of 20 SHEETS

F.A.I. RTE.	SECTION	COUNTY	TOTAL SHEETS	SHEET NO.
70	(25-4HB-2)I	EFFINGHAM	1760	1751
CONTRACT NO. 74295				

ILLINOIS FED. AID PROJECT