

- LEGEND**
- DETECTABLE WARNINGS
 - REVERSE PITCH GUTTER FLAG
 - TRANSITION FROM CCC&G B-6.24 TO CCC&G B-6.12

BAB	4/29/19
RLA	6/13/19
MGD	6/13/19
LAYOUT	
DRAWN	
REVIEWED	

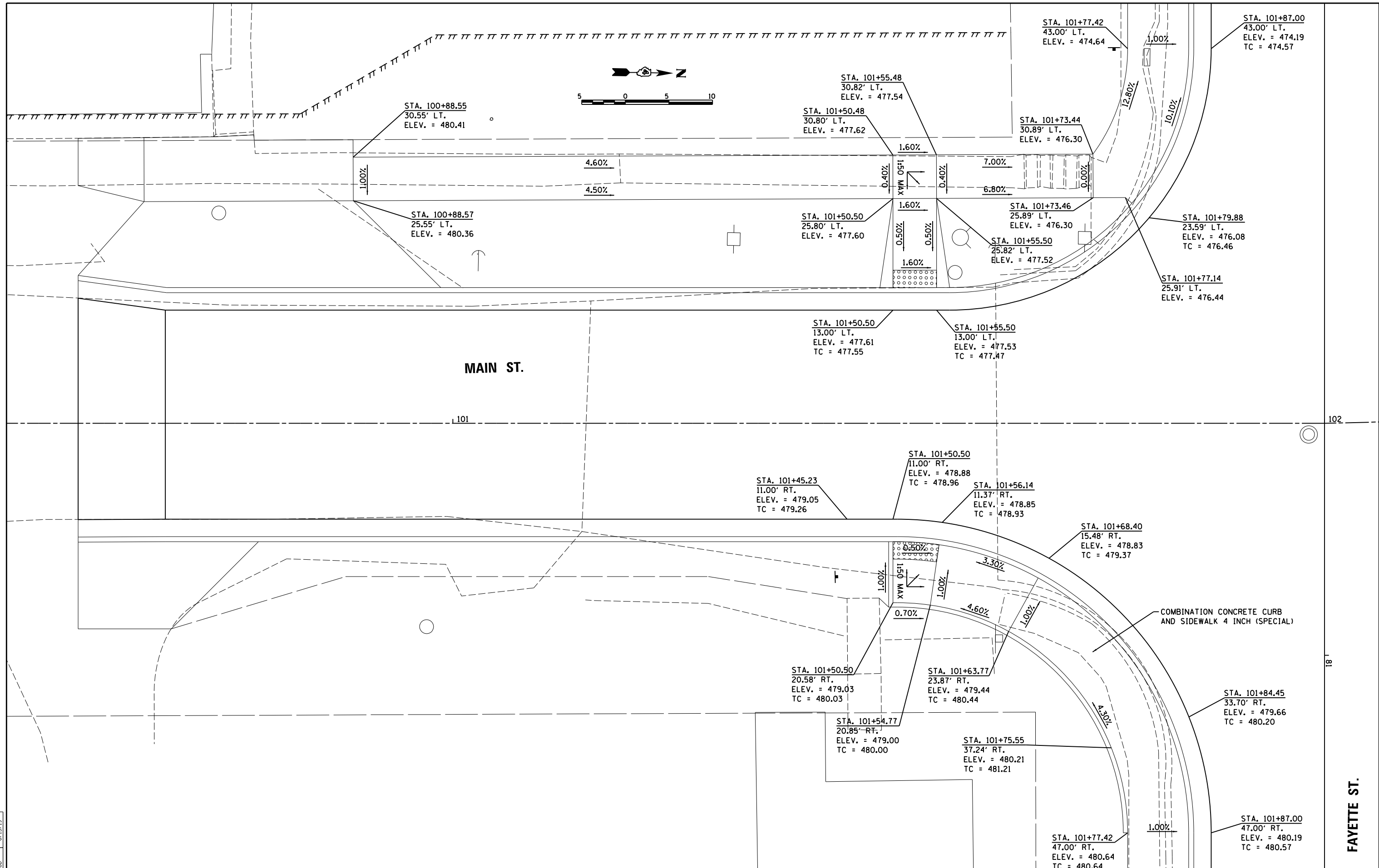
FILE NAME =	USER NAME = Ander00846	DESIGNED - BAB	REVISED -
I:\12\jobs\12L0052\CAD\Road\Sheet\sh-t\intdet05.dgn		DRAWN - RLA	REVISED -
Default		CHECKED - MGD	REVISED -
	PLOT DATE = 6/17/2019	DATE - 6/20/19	REVISED -

**STATE OF ILLINOIS
 DEPARTMENT OF TRANSPORTATION**

**IL ROUTE 29 (2ND STREET)/FAYETTE STREET
 INTERSECTION DETAIL**

SCALE: 1"=10' SHEET 4 OF 4 SHEETS STA. TO STA.

F.A.U. RTE.	SECTION	COUNTY	TOTAL SHEETS	SHEET NO.
	18-00188-00-RP	TAZEWELL	180	101
CONTRACT NO.89749				
ILLINOIS FED. AID PROJECT				



LAYOUT	4/29/19
DRAWN	6/13/19
REVIEWED	6/13/19

FILE NAME =	I:\12\jobs\12L0052\CAD\Road\Sheet\shd-temp01.dgn	USER NAME =	Ander00846
DESIGNED -	BAB	REVISOR -	
DRAWN -	RLA	REVISIONS -	
CHECKED -	MGD	DATE -	6/20/19
PLOT SCALE =	10.0000" / 1"		
PLOT DATE =	6/17/2019		

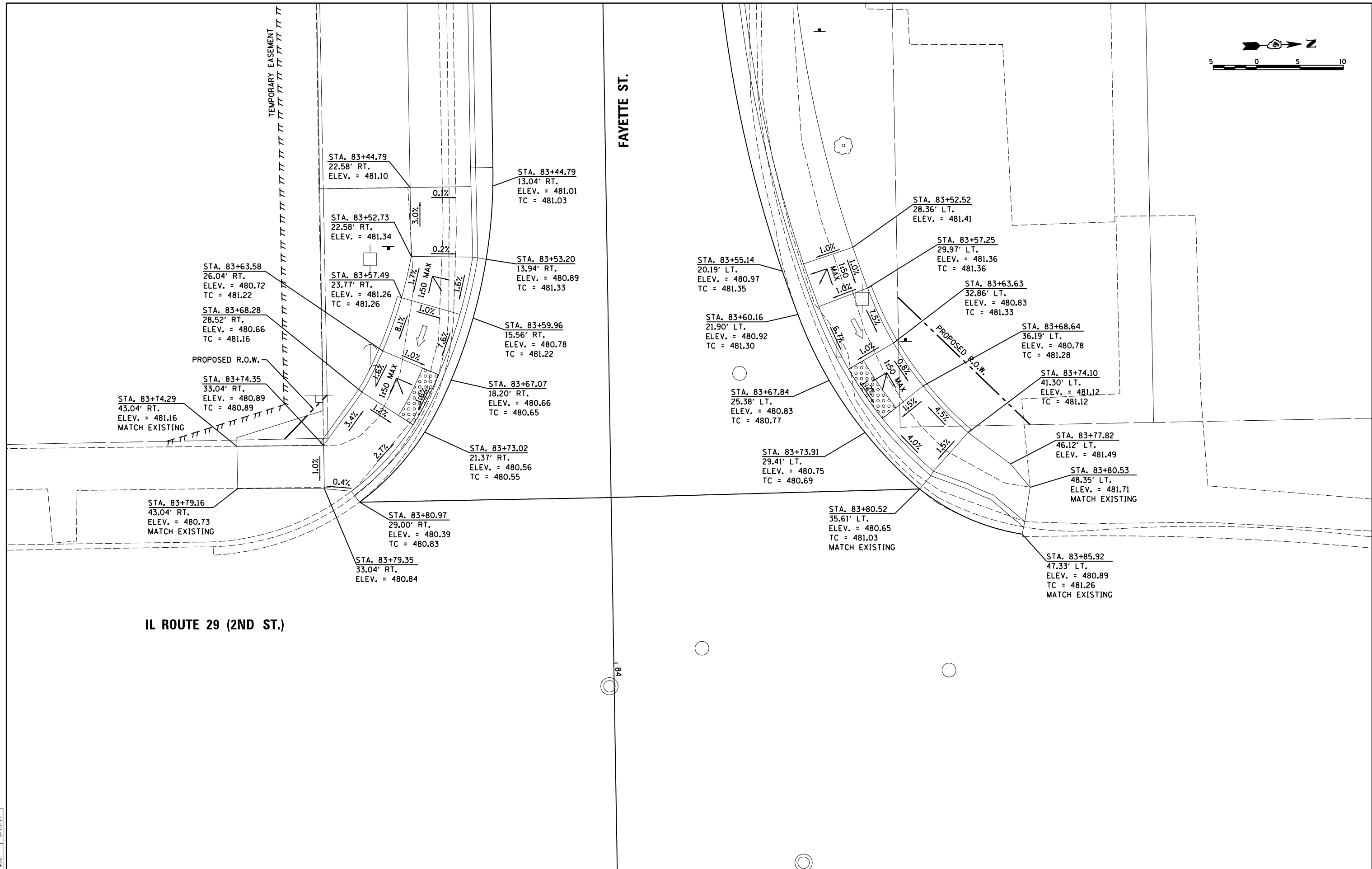
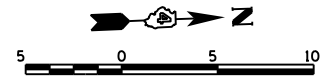
**STATE OF ILLINOIS
 DEPARTMENT OF TRANSPORTATION**

**MAIN STREET / FAYETTE STREET
 SIDEWALK RAMP DETAIL**

SCALE: 1"=5' SHEET 1 OF 2 SHEETS STA. TO STA.

F.A.U. RTE.	SECTION	COUNTY	TOTAL SHEETS	SHEET NO.
	18-00188-00-RP	TAZEWELL	180	102
CONTRACT NO. 89749			ILLINOIS FED. AID PROJECT	

FAYETTE ST.



BAB	4/29/19
RLA	6/13/19
MGD	6/13/19

FILE NAME =	I:\12\jobs\12L0052\CAD\Road\Sheet\shd-detailed\temp03.dgn	DESIGNED -	BAB	REVISED -	
USER NAME =	Ander00846	DRAWN -	RLA	REVISED -	
PLOT SCALE =	10.0000' / in.	CHECKED -	MGD	REVISED -	
PLOT DATE =	6/17/2019	DATE -	6/20/19	REVISED -	

**STATE OF ILLINOIS
 DEPARTMENT OF TRANSPORTATION**

IL ROUTE 29 (2ND STREET)/FAYETTE STREET SIDEWALK RAMP DETAIL	
SCALE: 1"=5'	SHEET 2 OF 2 SHEETS
STA.	TO STA.

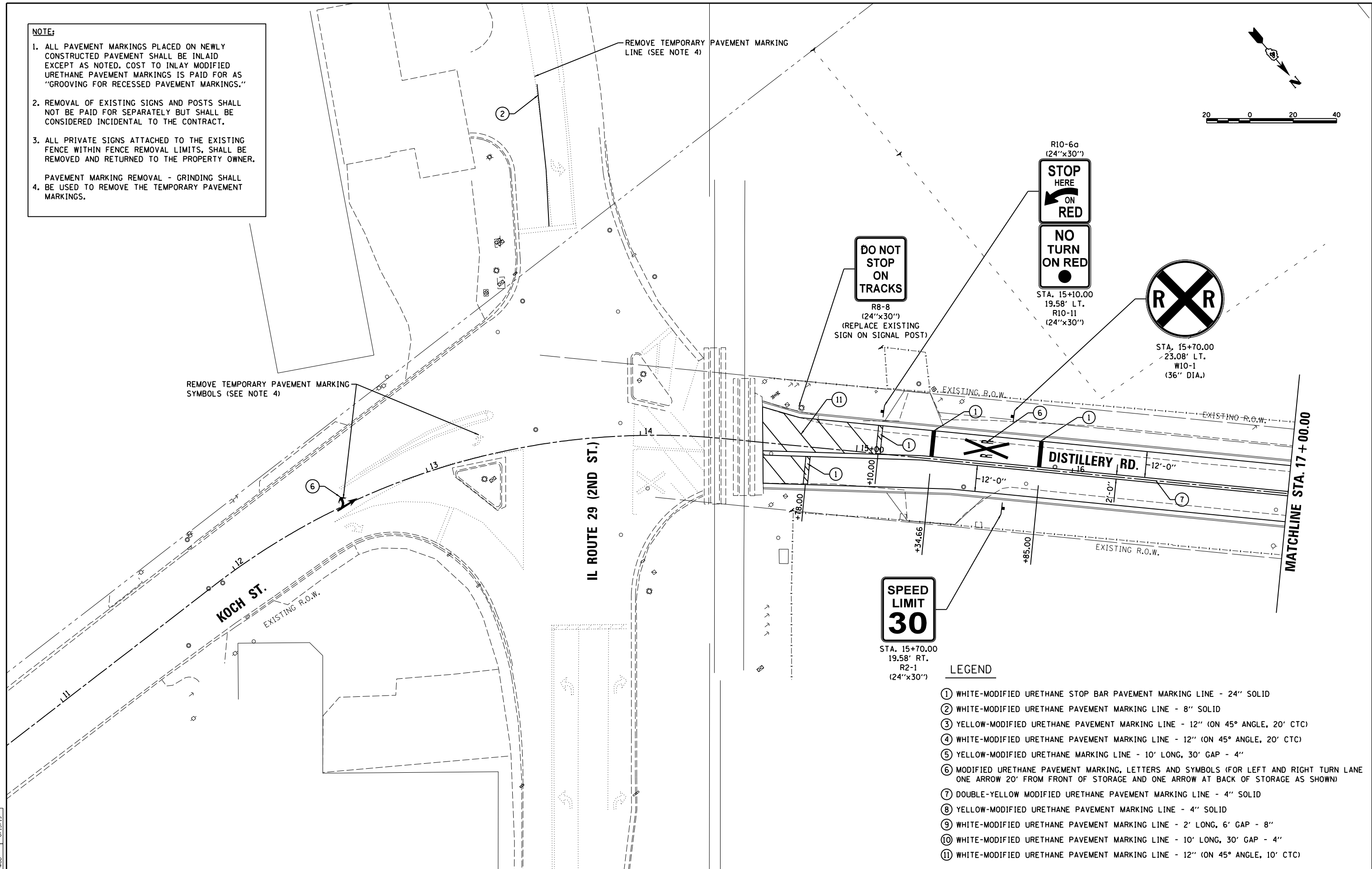
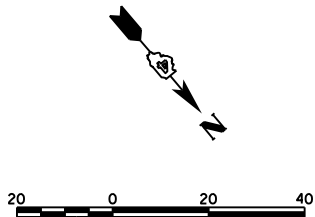
F.A.U. RTE.	SECTION	COUNTY	TOTAL SHEETS	SHEET NO.
	18-00188-00-RP	TAZEWELL	180	103
CONTRACT NO.89749				
ILLINOIS FED. AID PROJECT				

NOTE:

1. ALL PAVEMENT MARKINGS PLACED ON NEWLY CONSTRUCTED PAVEMENT SHALL BE INLAID EXCEPT AS NOTED. COST TO INLAY MODIFIED URETHANE PAVEMENT MARKINGS IS PAID FOR AS "GROOVING FOR RECESSED PAVEMENT MARKINGS."
2. REMOVAL OF EXISTING SIGNS AND POSTS SHALL NOT BE PAID FOR SEPARATELY BUT SHALL BE CONSIDERED INCIDENTAL TO THE CONTRACT.
3. ALL PRIVATE SIGNS ATTACHED TO THE EXISTING FENCE WITHIN FENCE REMOVAL LIMITS, SHALL BE REMOVED AND RETURNED TO THE PROPERTY OWNER.

PAVEMENT MARKING REMOVAL - GRINDING SHALL

4. BE USED TO REMOVE THE TEMPORARY PAVEMENT MARKINGS.



LEGEND

- ① WHITE-MODIFIED URETHANE STOP BAR PAVEMENT MARKING LINE - 24" SOLID
- ② WHITE-MODIFIED URETHANE PAVEMENT MARKING LINE - 8" SOLID
- ③ YELLOW-MODIFIED URETHANE PAVEMENT MARKING LINE - 12" (ON 45° ANGLE, 20' CTC)
- ④ WHITE-MODIFIED URETHANE PAVEMENT MARKING LINE - 12" (ON 45° ANGLE, 20' CTC)
- ⑤ YELLOW-MODIFIED URETHANE MARKING LINE - 10' LONG, 30' GAP - 4"
- ⑥ MODIFIED URETHANE PAVEMENT MARKING, LETTERS AND SYMBOLS (FOR LEFT AND RIGHT TURN LANE ONE ARROW 20' FROM FRONT OF STORAGE AND ONE ARROW AT BACK OF STORAGE AS SHOWN)
- ⑦ DOUBLE-YELLOW MODIFIED URETHANE PAVEMENT MARKING LINE - 4" SOLID
- ⑧ YELLOW-MODIFIED URETHANE PAVEMENT MARKING LINE - 4" SOLID
- ⑨ WHITE-MODIFIED URETHANE PAVEMENT MARKING LINE - 2' LONG, 6' GAP - 8"
- ⑩ WHITE-MODIFIED URETHANE PAVEMENT MARKING LINE - 10' LONG, 30' GAP - 4"
- ⑪ WHITE-MODIFIED URETHANE PAVEMENT MARKING LINE - 12" (ON 45° ANGLE, 10' CTC)

LAYOUT	4/29/19
DRAWN	6/13/19
REVIEWED	6/13/19

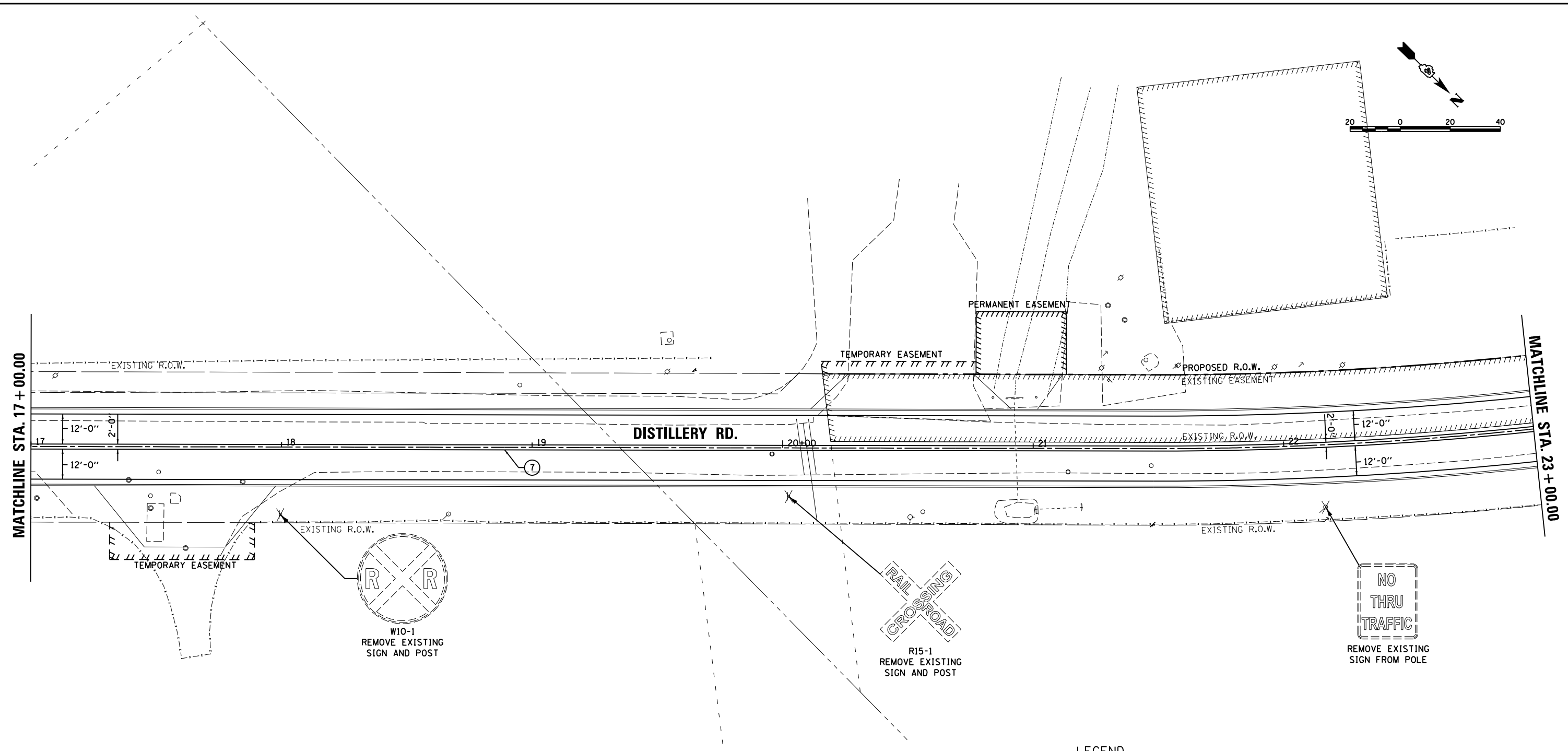
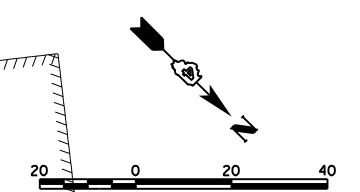
FILE NAME =	I:\12\jobs\12L0052\CAD\Road\Sheet\shp\mark01.dgn	USER NAME =	Ander00846
DESIGNED -	BAB	REVISOR -	
DRAWN -	RLA	REVISIONS -	
CHECKED -	MGD	DATE -	6/20/19
PLOT DATE =	6/17/2019		

**STATE OF ILLINOIS
DEPARTMENT OF TRANSPORTATION**

**DISTILLERY ROAD
PAVEMENT MARKING AND SIGNAGE PLANS**

SCALE: 1"=20' SHEET 1 OF 9 SHEETS STA. 14+56.60 TO STA.17+00.00

F.A.U. RTE.	SECTION	COUNTY	TOTAL SHEETS	SHEET NO.
	18-00188-00-RP	TAZEWELL	180	104
CONTRACT NO.89749				
ILLINOIS FED. AID PROJECT				



MATCHLINE STA. 17 + 00.00

MATCHLINE STA. 23 + 00.00

DISTILLERY RD.

W10-1
 REMOVE EXISTING
 SIGN AND POST

R15-1
 REMOVE EXISTING
 SIGN AND POST

NO THRU TRAFFIC
 REMOVE EXISTING
 SIGN FROM POLE

LEGEND

- ① WHITE-MODIFIED URETHANE STOP BAR PAVEMENT MARKING LINE - 24" SOLID
- ② WHITE-MODIFIED URETHANE PAVEMENT MARKING LINE - 8" SOLID
- ③ YELLOW-MODIFIED URETHANE PAVEMENT MARKING LINE - 12" (ON 45° ANGLE, 20' CTC)
- ④ WHITE-MODIFIED URETHANE PAVEMENT MARKING LINE - 12" (ON 45° ANGLE, 20' CTC)
- ⑤ YELLOW-MODIFIED URETHANE MARKING LINE - 10' LONG, 30' GAP - 4"
- ⑥ MODIFIED URETHANE PAVEMENT MARKING, LETTERS AND SYMBOLS (FOR LEFT AND RIGHT TURN LANE ONE ARROW 20' FROM FRONT OF STORAGE AND ONE ARROW AT BACK OF STORAGE AS SHOWN)
- ⑦ DOUBLE-YELLOW MODIFIED URETHANE PAVEMENT MARKING LINE - 4" SOLID
- ⑧ YELLOW-MODIFIED URETHANE PAVEMENT MARKING LINE - 4" SOLID
- ⑨ WHITE-MODIFIED URETHANE PAVEMENT MARKING LINE - 2' LONG, 6' GAP - 8"
- ⑩ WHITE-MODIFIED URETHANE PAVEMENT MARKING LINE - 10' LONG, 30' GAP - 4"
- ⑪ WHITE-MODIFIED URETHANE PAVEMENT MARKING LINE - 12" (ON 45° ANGLE, 10' CTC)

NOTE:

1. ALL PAVEMENT MARKINGS PLACED ON NEWLY CONSTRUCTED PAVEMENT SHALL BE INLAID EXCEPT AS NOTED. COST TO INLAY MODIFIED URETHANE PAVEMENT MARKINGS IS PAID FOR AS "GROOVING FOR RECESSED PAVEMENT MARKINGS."
2. REMOVAL OF EXISTING SIGNS AND POSTS SHALL NOT BE PAID FOR SEPARATELY BUT SHALL BE CONSIDERED INCIDENTAL TO THE CONTRACT.
3. ALL PRIVATE SIGNS ATTACHED TO THE EXISTING FENCE WITHIN FENCE REMOVAL LIMITS, SHALL BE REMOVED AND RETURNED TO THE PROPERTY OWNER.

LAYOUT	BAB	4/29/19
DRAWN	RLA	6/13/19
REVIEWED	MGD	6/13/19

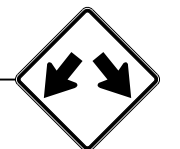
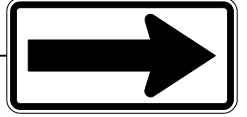
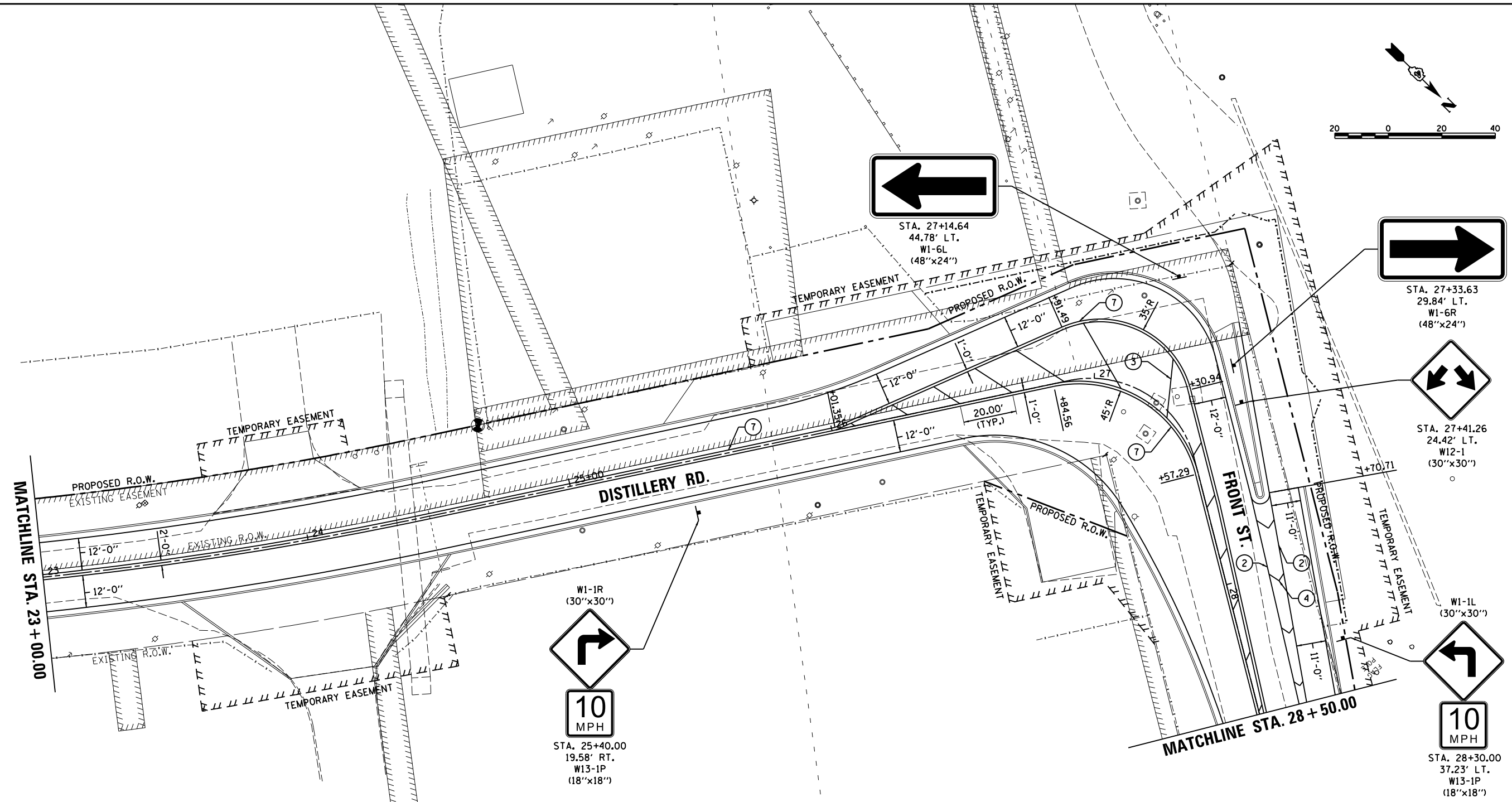
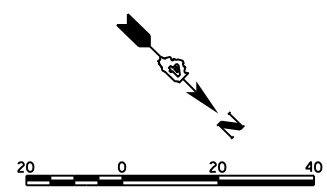
FILE NAME =	I:\12\jobs\12L0052\CAD\Road\Sheet\shp\mark02.dgn	USER NAME =	Ander00846	DESIGNED -	BAB	REVISED -	
		DRAWN -	RLA	CHECKED -	MGD	REVISED -	
		PLOT SCALE =	40.0000' / in.	DATE -	6/20/19	REVISED -	
		PLOT DATE =	6/17/2019				

STATE OF ILLINOIS
DEPARTMENT OF TRANSPORTATION

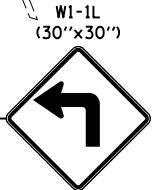
DISTILLERY ROAD
PAVEMENT MARKING AND SIGNAGE PLANS

SCALE: 1"=20' SHEET 2 OF 9 SHEETS STA. 17+00.00 TO STA. 23+00.00

F.A.U. RTE.	SECTION	COUNTY	TOTAL SHEETS	SHEET NO.
	18-00188-00-RP	TAZEWELL	180	105
CONTRACT NO.89749			ILLINOIS FED. AID PROJECT	



STA. 25+40.00
19.58' RT.
W13-1P
(18"x18")



STA. 28+30.00
37.23' LT.
W13-1P
(18"x18")

LEGEND

- ① WHITE-MODIFIED URETHANE STOP BAR PAVEMENT MARKING LINE - 24" SOLID
- ② WHITE-MODIFIED URETHANE PAVEMENT MARKING LINE - 8" SOLID
- ③ YELLOW-MODIFIED URETHANE PAVEMENT MARKING LINE - 12" (ON 45° ANGLE, 20' CTC)
- ④ WHITE-MODIFIED URETHANE PAVEMENT MARKING LINE - 12" (ON 45° ANGLE, 20' CTC)
- ⑤ YELLOW-MODIFIED URETHANE MARKING LINE - 10' LONG, 30' GAP - 4"
- ⑥ MODIFIED URETHANE PAVEMENT MARKING, LETTERS AND SYMBOLS (FOR LEFT AND RIGHT TURN LANE ONE ARROW 20' FROM FRONT OF STORAGE AND ONE ARROW AT BACK OF STORAGE AS SHOWN)
- ⑦ DOUBLE-YELLOW MODIFIED URETHANE PAVEMENT MARKING LINE - 4" SOLID
- ⑧ YELLOW-MODIFIED URETHANE PAVEMENT MARKING LINE - 4" SOLID
- ⑨ WHITE-MODIFIED URETHANE PAVEMENT MARKING LINE - 2' LONG, 6' GAP - 8"
- ⑩ WHITE-MODIFIED URETHANE PAVEMENT MARKING LINE - 10' LONG, 30' GAP - 4"
- ⑪ WHITE-MODIFIED URETHANE PAVEMENT MARKING LINE - 12" (ON 45° ANGLE, 10' CTC)

NOTE:

1. ALL PAVEMENT MARKINGS PLACED ON NEWLY CONSTRUCTED PAVEMENT SHALL BE INLAID EXCEPT AS NOTED. COST TO INLAY MODIFIED URETHANE PAVEMENT MARKINGS IS PAID FOR AS "GROOVING FOR RECESSED PAVEMENT MARKINGS."
2. REMOVAL OF EXISTING SIGNS AND POSTS SHALL NOT BE PAID FOR SEPARATELY BUT SHALL BE CONSIDERED INCIDENTAL TO THE CONTRACT.
3. ALL PRIVATE SIGNS ATTACHED TO THE EXISTING FENCE WITHIN FENCE REMOVAL LIMITS, SHALL BE REMOVED AND RETURNED TO THE PROPERTY OWNER.

LAYOUT	BAB	4/29/19
DRAWN	RLA	6/13/19
REVIEWED	MGD	6/13/19

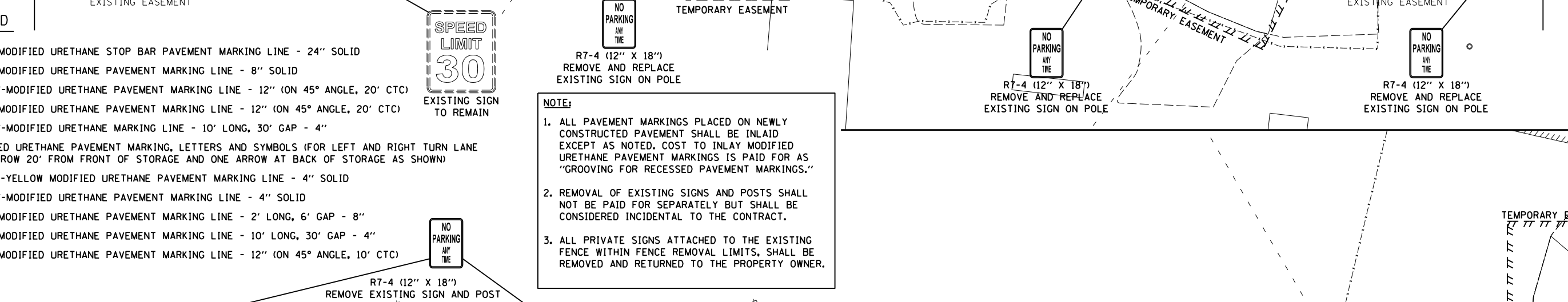
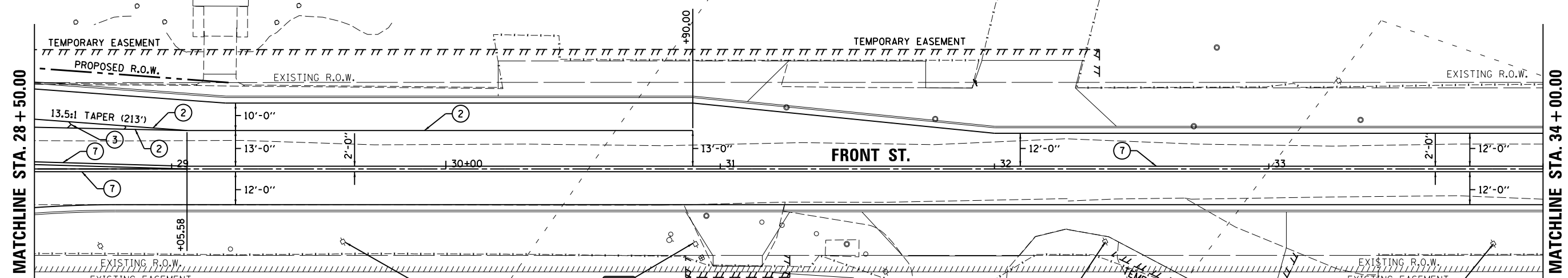
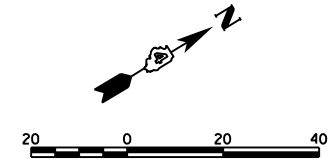
FILE NAME =	I:\12\jobs\12L0052\CAD\Road\Sheet\sh-t-mark03.dgn	DESIGNED -	BAB	REVISED -	
USER NAME =	Ander00846	DRAWN -	RLA	REVISED -	
PLOT SCALE =	40.0000' / in.	CHECKED -	MGD	REVISED -	
PLOT DATE =	6/17/2019	DATE -	6/20/19	REVISED -	

**STATE OF ILLINOIS
DEPARTMENT OF TRANSPORTATION**

**DISTILLERY ROAD /FRONT STREET
PAVEMENT MARKING AND SIGNAGE PLANS**

SCALE: 1"=20' SHEET 3 OF 9 SHEETS STA. 23+00.00 TO STA.28+50.00

F.A.U. RTE.	SECTION	COUNTY	TOTAL SHEETS	SHEET NO.
	18-00188-00-RP	TAZEWELL	180	106
ILLINOIS FED. AID PROJECT			CONTRACT NO.89749	



LEGEND

- ① WHITE-MODIFIED URETHANE STOP BAR PAVEMENT MARKING LINE - 24" SOLID
- ② WHITE-MODIFIED URETHANE PAVEMENT MARKING LINE - 8" SOLID
- ③ YELLOW-MODIFIED URETHANE PAVEMENT MARKING LINE - 12" (ON 45° ANGLE, 20' CTC)
- ④ WHITE-MODIFIED URETHANE PAVEMENT MARKING LINE - 12" (ON 45° ANGLE, 20' CTC)
- ⑤ YELLOW-MODIFIED URETHANE MARKING LINE - 10' LONG, 30' GAP - 4"
- ⑥ MODIFIED URETHANE PAVEMENT MARKING, LETTERS AND SYMBOLS (FOR LEFT AND RIGHT TURN LANE ONE ARROW 20' FROM FRONT OF STORAGE AND ONE ARROW AT BACK OF STORAGE AS SHOWN)
- ⑦ DOUBLE-YELLOW MODIFIED URETHANE PAVEMENT MARKING LINE - 4" SOLID
- ⑧ YELLOW-MODIFIED URETHANE PAVEMENT MARKING LINE - 4" SOLID
- ⑨ WHITE-MODIFIED URETHANE PAVEMENT MARKING LINE - 2' LONG, 6' GAP - 8"
- ⑩ WHITE-MODIFIED URETHANE PAVEMENT MARKING LINE - 10' LONG, 30' GAP - 4"
- ⑪ WHITE-MODIFIED URETHANE PAVEMENT MARKING LINE - 12" (ON 45° ANGLE, 10' CTC)



NOTE:

1. ALL PAVEMENT MARKINGS PLACED ON NEWLY CONSTRUCTED PAVEMENT SHALL BE INLAID EXCEPT AS NOTED. COST TO INLAY MODIFIED URETHANE PAVEMENT MARKINGS IS PAID FOR AS "GROOVING FOR RECESSED PAVEMENT MARKINGS."
2. REMOVAL OF EXISTING SIGNS AND POSTS SHALL NOT BE PAID FOR SEPARATELY BUT SHALL BE CONSIDERED INCIDENTAL TO THE CONTRACT.
3. ALL PRIVATE SIGNS ATTACHED TO THE EXISTING FENCE WITHIN FENCE REMOVAL LIMITS, SHALL BE REMOVED AND RETURNED TO THE PROPERTY OWNER.



© Copyright Hanson Professional Services Inc. 2019
HANSON
 Hanson Professional Services Inc.

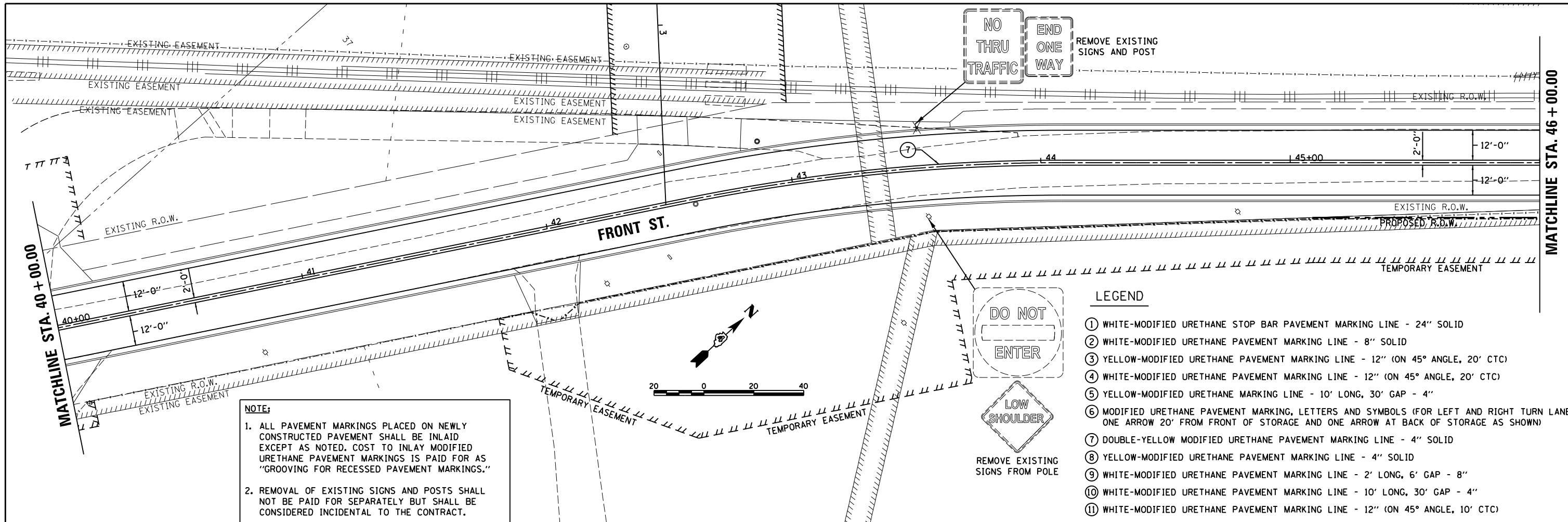
LAYOUT	BAB	4/29/19
DRAWN	RLA	6/13/19
REVIEWED	MGD	6/13/19

FILE NAME =	I:\12\jobs\12L0052\CAD\Road\Sheet\shp\mark04.dgn	DESIGNED -	BAB	REVISED -	
USER NAME =	Ander00846	DRAWN -	RLA	REVISED -	
PLOT SCALE =	40.0000' / in.	CHECKED -	MGD	REVISED -	
PLOT DATE =	6/17/2019	DATE -	6/20/19	REVISED -	

STATE OF ILLINOIS
DEPARTMENT OF TRANSPORTATION

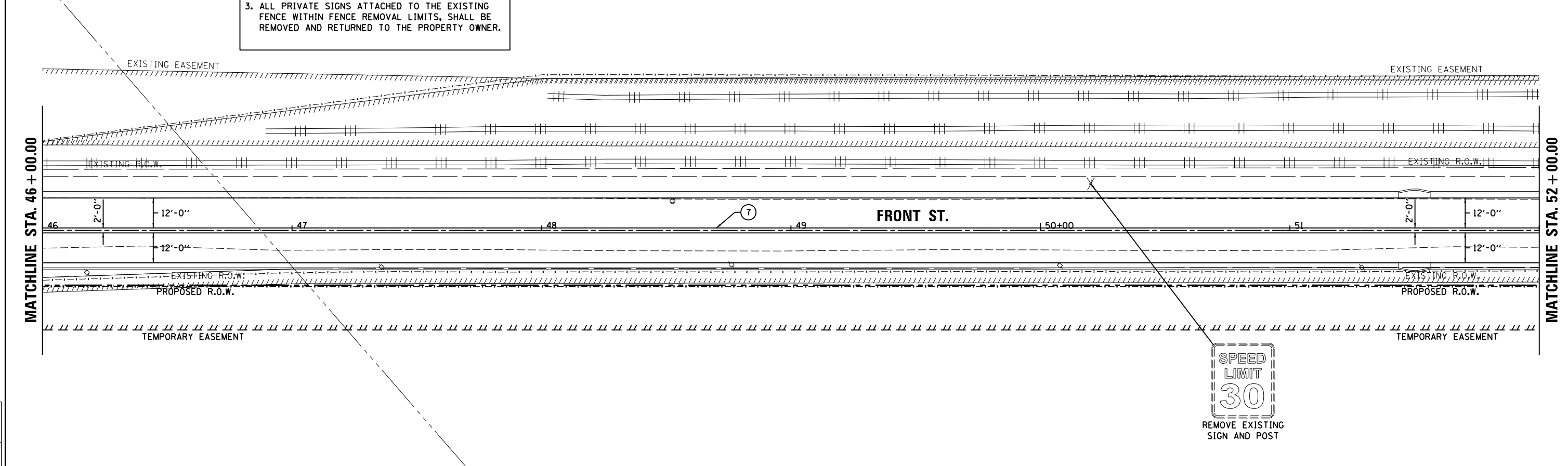
FRONT STREET PAVEMENT MARKING AND SIGNAGE PLANS		
SCALE: 1"=20'	SHEET 4 OF 9 SHEETS	STA. 28+50.00 TO STA. 40+00.00

F.A.U. RTE.	SECTION	COUNTY	TOTAL SHEETS	SHEET NO.
	18-00188-00-RP	TAZEWELL	180	107
CONTRACT NO.89749				
ILLINOIS FED. AID PROJECT				



LEGEND

- ① WHITE-MODIFIED URETHANE STOP BAR PAVEMENT MARKING LINE - 24" SOLID
- ② WHITE-MODIFIED URETHANE PAVEMENT MARKING LINE - 8" SOLID
- ③ YELLOW-MODIFIED URETHANE PAVEMENT MARKING LINE - 12" (ON 45° ANGLE, 20' CTC)
- ④ WHITE-MODIFIED URETHANE PAVEMENT MARKING LINE - 12" (ON 45° ANGLE, 20' CTC)
- ⑤ YELLOW-MODIFIED URETHANE MARKING LINE - 10' LONG, 30' GAP - 4"
- ⑥ MODIFIED URETHANE PAVEMENT MARKING, LETTERS AND SYMBOLS (FOR LEFT AND RIGHT TURN LANE ONE ARROW 20' FROM FRONT OF STORAGE AND ONE ARROW AT BACK OF STORAGE AS SHOWN)
- ⑦ DOUBLE-YELLOW MODIFIED URETHANE PAVEMENT MARKING LINE - 4" SOLID
- ⑧ YELLOW-MODIFIED URETHANE PAVEMENT MARKING LINE - 4" SOLID
- ⑨ WHITE-MODIFIED URETHANE PAVEMENT MARKING LINE - 2' LONG, 6' GAP - 8"
- ⑩ WHITE-MODIFIED URETHANE PAVEMENT MARKING LINE - 10' LONG, 30' GAP - 4"
- ⑪ WHITE-MODIFIED URETHANE PAVEMENT MARKING LINE - 12" (ON 45° ANGLE, 10' CTC)



LAYOUT	BAB	4/29/19
DRAWN	RLA	6/13/19
REVIEWED	MGD	6/13/19

FILE NAME =	I:\12\jobs\12L0052\CAD\Road\Sheet\shp\mark05.dgn	DESIGNED -	BAB	REVISED -	
USER NAME =	Ander00846	DRAWN -	RLA	REVISED -	
PLOT SCALE =	40.0000' / in.	CHECKED -	MGD	REVISED -	
PLOT DATE =	6/17/2019	DATE -	6/20/19	REVISED -	

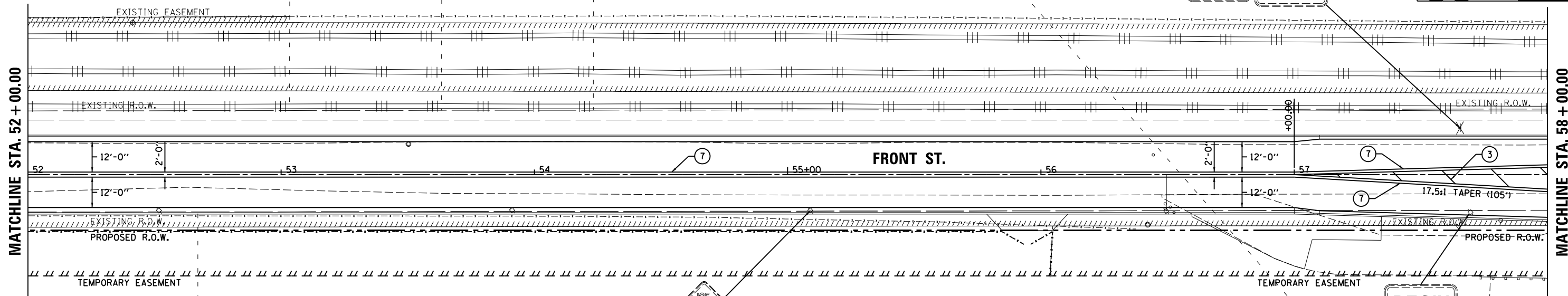
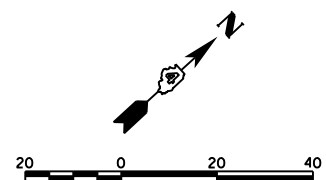
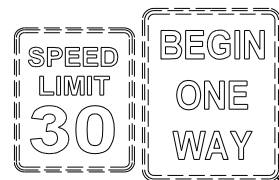
**STATE OF ILLINOIS
 DEPARTMENT OF TRANSPORTATION**

**FRONT STREET
 PAVEMENT MARKING AND SIGNAGE PLANS**

SCALE: 1"=20' SHEET 5 OF 9 SHEETS STA. 40+00.00 TO STA. 52+00.00

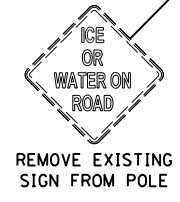
F.A.U. RTE.	SECTION	COUNTY	TOTAL SHEETS	SHEET NO.
	18-00188-00-RP	TAZEWELL	180	108
CONTRACT NO.89749			ILLINOIS FED. AID PROJECT	

REMOVE EXISTING SIGNS AND POST



LEGEND

- ① WHITE-MODIFIED URETHANE STOP BAR PAVEMENT MARKING LINE - 24" SOLID
- ② WHITE-MODIFIED URETHANE PAVEMENT MARKING LINE - 8" SOLID
- ③ YELLOW-MODIFIED URETHANE PAVEMENT MARKING LINE - 12" (ON 45° ANGLE, 20' CTC)
- ④ WHITE-MODIFIED URETHANE PAVEMENT MARKING LINE - 12" (ON 45° ANGLE, 20' CTC)
- ⑤ YELLOW-MODIFIED URETHANE MARKING LINE - 10' LONG, 30' GAP - 4"
- ⑥ MODIFIED URETHANE PAVEMENT MARKING, LETTERS AND SYMBOLS (FOR LEFT AND RIGHT TURN LANE ONE ARROW 20' FROM FRONT OF STORAGE AND ONE ARROW AT BACK OF STORAGE AS SHOWN)
- ⑦ DOUBLE-YELLOW MODIFIED URETHANE PAVEMENT MARKING LINE - 4" SOLID
- ⑧ YELLOW-MODIFIED URETHANE PAVEMENT MARKING LINE - 4" SOLID
- ⑨ WHITE-MODIFIED URETHANE PAVEMENT MARKING LINE - 2' LONG, 6' GAP - 8"
- ⑩ WHITE-MODIFIED URETHANE PAVEMENT MARKING LINE - 10' LONG, 30' GAP - 4"
- ⑪ WHITE-MODIFIED URETHANE PAVEMENT MARKING LINE - 12" (ON 45° ANGLE, 10' CTC)

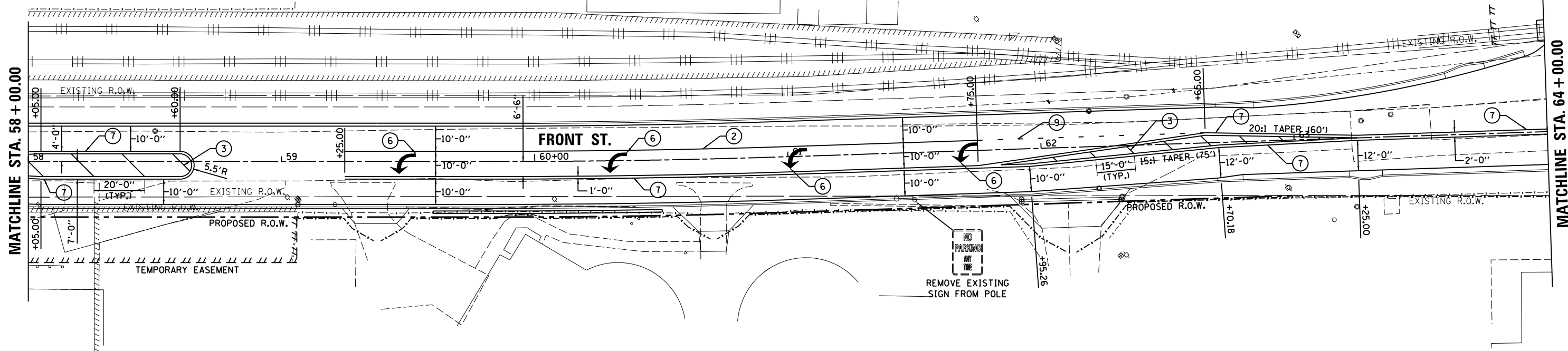


NOTE:

1. ALL PAVEMENT MARKINGS PLACED ON NEWLY CONSTRUCTED PAVEMENT SHALL BE INLAID EXCEPT AS NOTED. COST TO INLAY MODIFIED URETHANE PAVEMENT MARKINGS IS PAID FOR AS "GROOVING FOR RECESSED PAVEMENT MARKINGS."
2. REMOVAL OF EXISTING SIGNS AND POSTS SHALL NOT BE PAID FOR SEPARATELY BUT SHALL BE CONSIDERED INCIDENTAL TO THE CONTRACT.
3. ALL PRIVATE SIGNS ATTACHED TO THE EXISTING FENCE WITHIN FENCE REMOVAL LIMITS, SHALL BE REMOVED AND RETURNED TO THE PROPERTY OWNER.



STA. 63+97.22, 58.81' LT.
 R15-1 (48"x9")



LAYOUT	BAB	4/29/19
DRAWN	RLA	6/13/19
REVIEWED	MGD	6/13/19

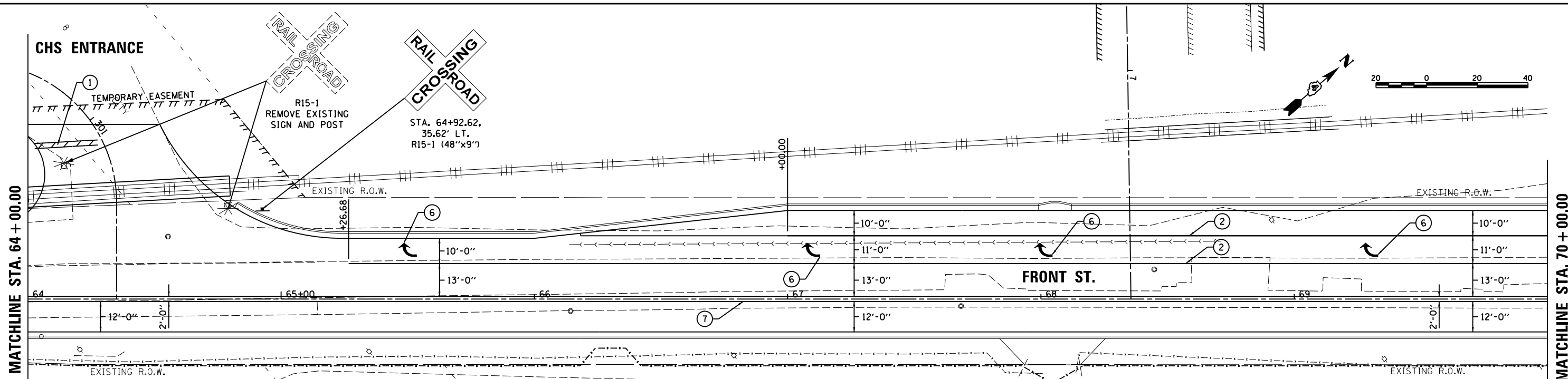
FILE NAME =	I:\12\jobs\12L0052\CAD\Road\Sheet\shp\mark06.dgn	DESIGNED -	BAB	REVISED -	
USER NAME =	Ander00846	DRAWN -	RLA	REVISED -	
PLOT SCALE =	40.0000' / in.	CHECKED -	MGD	REVISED -	
PLOT DATE =	6/18/2019	DATE -	6/20/19	REVISED -	

**STATE OF ILLINOIS
 DEPARTMENT OF TRANSPORTATION**

**FRONT STREET
 PAVEMENT MARKING AND SIGNAGE PLANS**

SCALE: 1"=20' SHEET 6 OF 9 SHEETS STA. 52+00.00 TO STA. 64+00.00

F.A.U. RTE.	SECTION	COUNTY	TOTAL SHEETS	SHEET NO.
	18-00188-00-RP	TAZEWELL	180	109
CONTRACT NO.89749			ILLINOIS FED. AID PROJECT	

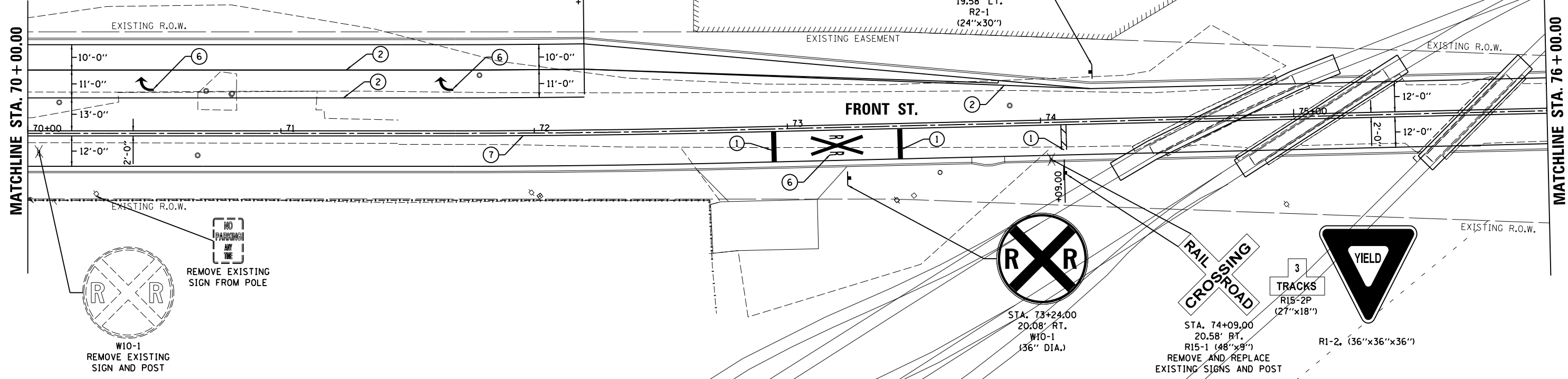


LEGEND

- ① WHITE-MODIFIED URETHANE STOP BAR PAVEMENT MARKING LINE - 24" SOLID
- ② WHITE-MODIFIED URETHANE PAVEMENT MARKING LINE - 8" SOLID
- ③ YELLOW-MODIFIED URETHANE PAVEMENT MARKING LINE - 12" (ON 45° ANGLE, 20' CTC)
- ④ WHITE-MODIFIED URETHANE PAVEMENT MARKING LINE - 12" (ON 45° ANGLE, 20' CTC)
- ⑤ YELLOW-MODIFIED URETHANE MARKING LINE - 10' LONG, 30' GAP - 4"
- ⑥ MODIFIED URETHANE PAVEMENT MARKING, LETTERS AND SYMBOLS (FOR LEFT AND RIGHT TURN LANE ONE ARROW 20' FROM FRONT OF STORAGE AND ONE ARROW AT BACK OF STORAGE AS SHOWN)
- ⑦ DOUBLE-YELLOW MODIFIED URETHANE PAVEMENT MARKING LINE - 4" SOLID
- ⑧ YELLOW-MODIFIED URETHANE PAVEMENT MARKING LINE - 4" SOLID
- ⑨ WHITE-MODIFIED URETHANE PAVEMENT MARKING LINE - 2' LONG, 6' GAP - 8"
- ⑩ WHITE-MODIFIED URETHANE PAVEMENT MARKING LINE - 10' LONG, 30' GAP - 4"
- ⑪ WHITE-MODIFIED URETHANE PAVEMENT MARKING LINE - 12" (ON 45° ANGLE, 10' CTC)

NOTE:

1. ALL PAVEMENT MARKINGS PLACED ON NEWLY CONSTRUCTED PAVEMENT SHALL BE INLAID EXCEPT AS NOTED. COST TO INLAY MODIFIED URETHANE PAVEMENT MARKINGS IS PAID FOR AS "GROOVING FOR RECESSED PAVEMENT MARKINGS."
2. REMOVAL OF EXISTING SIGNS AND POSTS SHALL NOT BE PAID FOR SEPARATELY BUT SHALL BE CONSIDERED INCIDENTAL TO THE CONTRACT.
3. ALL PRIVATE SIGNS ATTACHED TO THE EXISTING FENCE WITHIN FENCE REMOVAL LIMITS, SHALL BE REMOVED AND RETURNED TO THE PROPERTY OWNER.



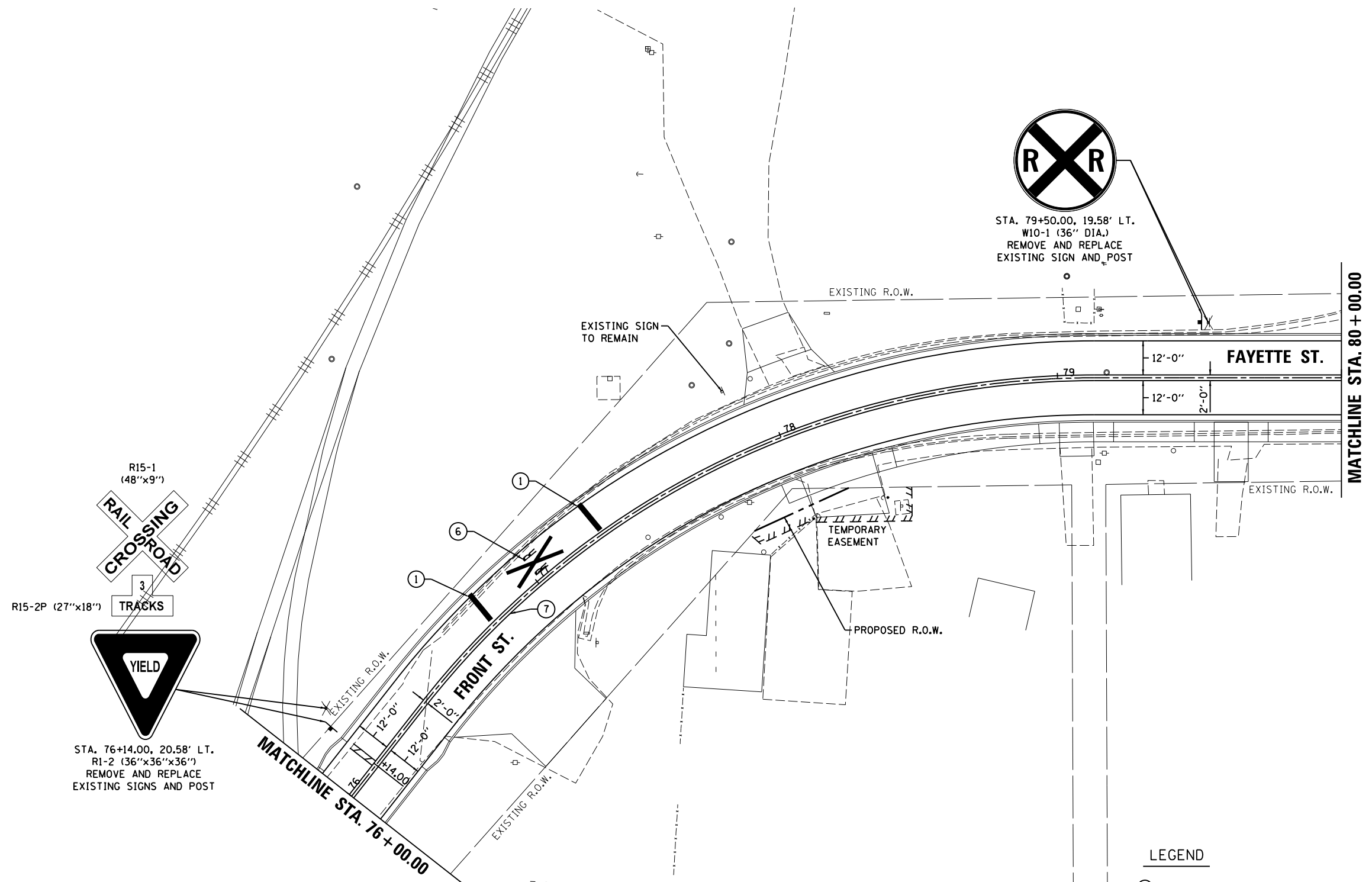
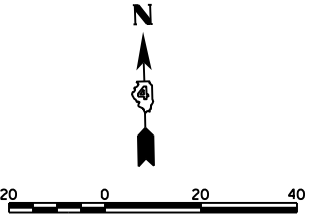
LAYOUT	4/29/19
DRAWN	6/13/19
REVIEWED	6/13/19

FILE NAME =	I:\12\jobs\12L0052\CAD\Road\Sheet\shp\mark07.dgn	DESIGNED -	BAB	REVISED -	
USER NAME =	Ander00846	DRAWN -	RLA	REVISED -	
PLOT SCALE =	40.0000' / in.	CHECKED -	MGD	REVISED -	
PLOT DATE =	6/17/2019	DATE -	6/20/19	REVISED -	

**STATE OF ILLINOIS
 DEPARTMENT OF TRANSPORTATION**

FRONT STREET PAVEMENT MARKING AND SIGNAGE PLANS	
SCALE: 1"=20'	SHEET 7 OF 9 SHEETS
STA. 64+00.00 TO STA. 76+00.00	

F.A.U. R.T.E.	SECTION	COUNTY	TOTAL SHEETS	SHEET NO.
	18-00188-00-RP	TAZEWELL	180	110
CONTRACT NO.89749				
ILLINOIS FED. AID PROJECT				

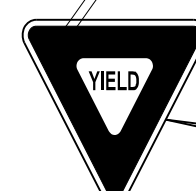


STA. 79+50.00, 19.58' LT.
 W10-1 (36" DIA.)
 REMOVE AND REPLACE
 EXISTING SIGN AND POST

R15-1
 (48"x9")



R15-2P (27"x18")
 TRACKS



STA. 76+14.00, 20.58' LT.
 R1-2 (36"x36"x36")
 REMOVE AND REPLACE
 EXISTING SIGNS AND POST

NOTE:

- ALL PAVEMENT MARKINGS PLACED ON NEWLY CONSTRUCTED PAVEMENT SHALL BE INLAID EXCEPT AS NOTED. COST TO INLAY MODIFIED URETHANE PAVEMENT MARKINGS IS PAID FOR AS "GROOVING FOR RECESSED PAVEMENT MARKINGS."
- REMOVAL OF EXISTING SIGNS AND POSTS SHALL NOT BE PAID FOR SEPARATELY BUT SHALL BE CONSIDERED INCIDENTAL TO THE CONTRACT.
- ALL PRIVATE SIGNS ATTACHED TO THE EXISTING FENCE WITHIN FENCE REMOVAL LIMITS, SHALL BE REMOVED AND RETURNED TO THE PROPERTY OWNER.

LEGEND

- ① WHITE-MODIFIED URETHANE STOP BAR PAVEMENT MARKING LINE - 24" SOLID
- ② WHITE-MODIFIED URETHANE PAVEMENT MARKING LINE - 8" SOLID
- ③ YELLOW-MODIFIED URETHANE PAVEMENT MARKING LINE - 12" (ON 45° ANGLE, 20' CTC)
- ④ WHITE-MODIFIED URETHANE PAVEMENT MARKING LINE - 12" (ON 45° ANGLE, 20' CTC)
- ⑤ YELLOW-MODIFIED URETHANE MARKING LINE - 10' LONG, 30' GAP - 4"
- ⑥ MODIFIED URETHANE PAVEMENT MARKING, LETTERS AND SYMBOLS (FOR LEFT AND RIGHT TURN LANE ONE ARROW 20' FROM FRONT OF STORAGE AND ONE ARROW AT BACK OF STORAGE AS SHOWN)
- ⑦ DOUBLE-YELLOW MODIFIED URETHANE PAVEMENT MARKING LINE - 4" SOLID
- ⑧ YELLOW-MODIFIED URETHANE PAVEMENT MARKING LINE - 4" SOLID
- ⑨ WHITE-MODIFIED URETHANE PAVEMENT MARKING LINE - 2' LONG, 6' GAP - 8"
- ⑩ WHITE-MODIFIED URETHANE PAVEMENT MARKING LINE - 10' LONG, 30' GAP - 4"
- ⑪ WHITE-MODIFIED URETHANE PAVEMENT MARKING LINE - 12" (ON 45° ANGLE, 10' CTC)

LAYOUT	BAB	4/29/19
DRAWN	RLA	6/13/19
REVIEWED	MGD	6/13/19

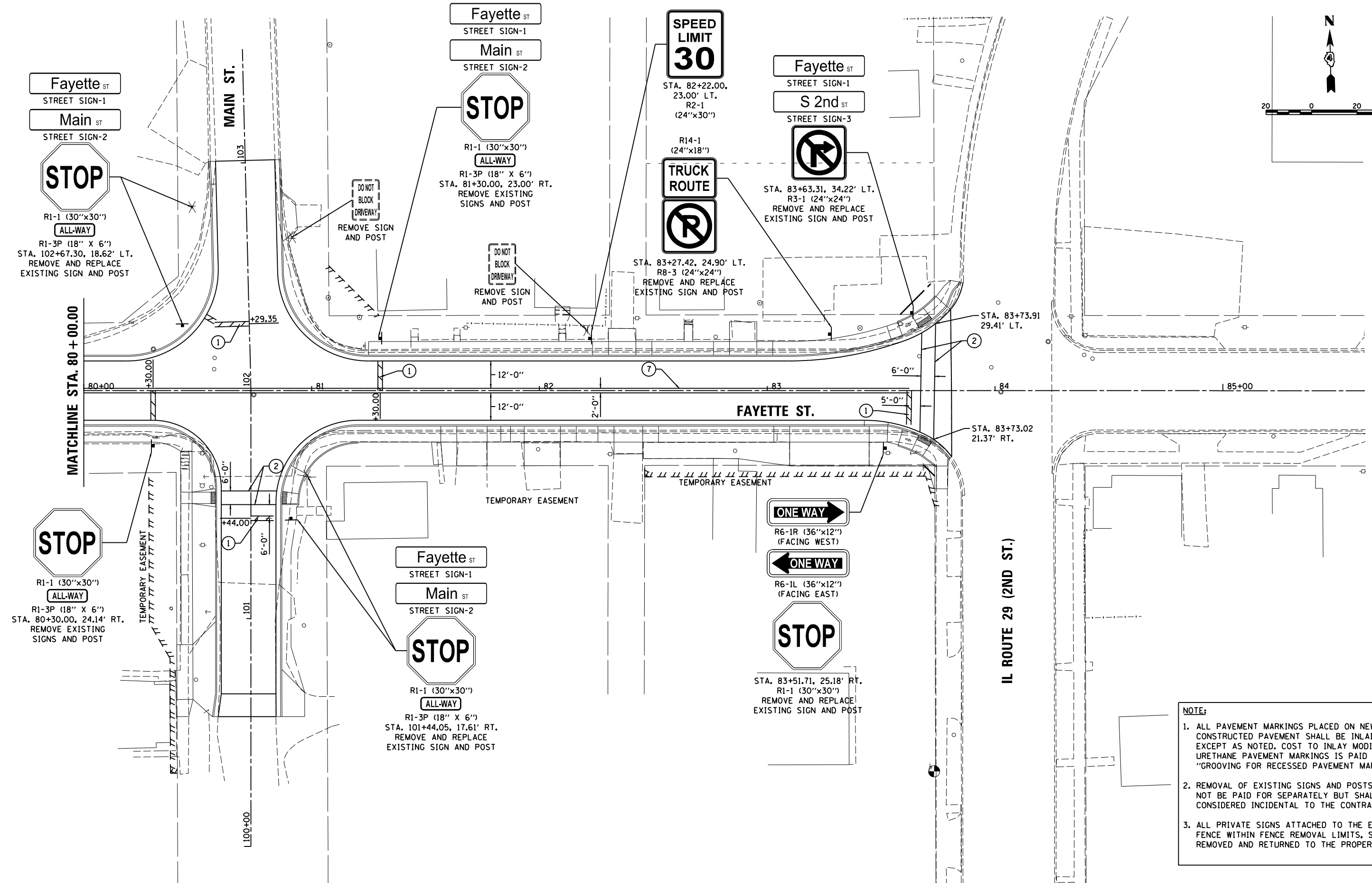
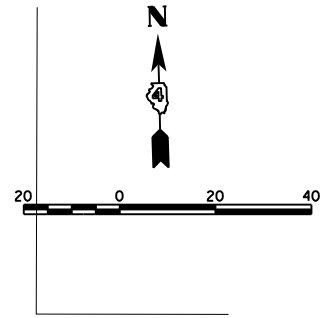
FILE NAME =	I:\12\jobs\12L0052\CAD\Road\Sheet\sh-t\mark08.dgn	DESIGNED -	BAB	REVISED -	
USER NAME =	Ander00846	DRAWN -	RLA	REVISED -	
PLOT SCALE =	40.0000' / in.	CHECKED -	MGD	REVISED -	
Default		DATE -	6/20/19	REVISED -	

**STATE OF ILLINOIS
 DEPARTMENT OF TRANSPORTATION**

**FRONT STREET /FAYETTE STREET
 PAVEMENT MARKING AND SIGNAGE PLANS**

SCALE: 1"=20' SHEET 8 OF 9 SHEETS STA. 76+00.00 TO STA. 80+00.00

F.A.U. RTE.	SECTION	COUNTY	TOTAL SHEETS	SHEET NO.
	18-00188-00-RP	TAZEWELL	180	111
CONTRACT NO.89749			ILLINOIS FED. AID PROJECT	



NOTE:

1. ALL PAVEMENT MARKINGS PLACED ON NEWLY CONSTRUCTED PAVEMENT SHALL BE INLAID EXCEPT AS NOTED. COST TO INLAY MODIFIED URETHANE PAVEMENT MARKINGS IS PAID FOR AS "GROOVING FOR RECESSED PAVEMENT MARKINGS."
2. REMOVAL OF EXISTING SIGNS AND POSTS SHALL NOT BE PAID FOR SEPARATELY BUT SHALL BE CONSIDERED INCIDENTAL TO THE CONTRACT.
3. ALL PRIVATE SIGNS ATTACHED TO THE EXISTING FENCE WITHIN FENCE REMOVAL LIMITS, SHALL BE REMOVED AND RETURNED TO THE PROPERTY OWNER.

LAYOUT	4/29/19
DRAWN	6/13/19
REVIEWED	6/13/19
BAB	
RLA	
MGD	

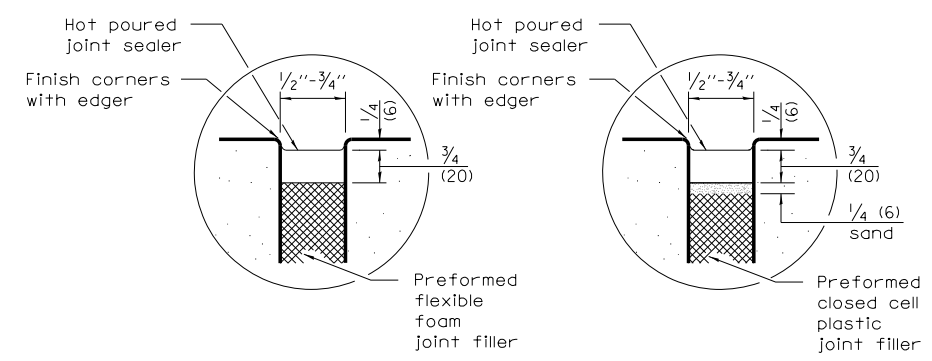
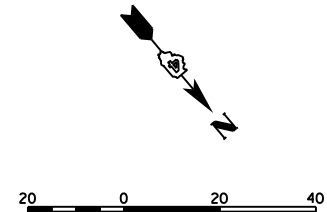
FILE NAME =	I:\12\jobs\12L0052\CAD\Road\Sheet\sh-t\mark09.dgn
USER NAME =	Ander00846
DESIGNED -	BAB
DRAWN -	RLA
CHECKED -	MGD
DATE -	6/20/19
REVISD -	
REVISD -	
REVISD -	
REVISD -	

**STATE OF ILLINOIS
 DEPARTMENT OF TRANSPORTATION**

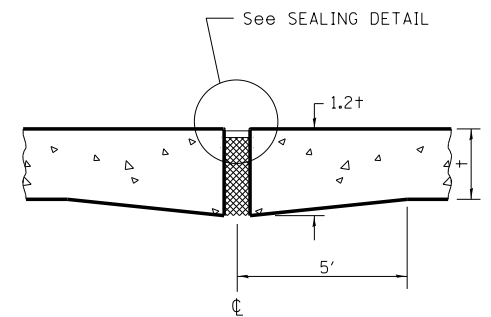
**FAYETTE STREET
 PAVEMENT MARKING AND SIGNAGE PLANS**

SCALE: 1"=20' SHEET 9 OF 9 SHEETS STA. 80+00.00 TO STA. 83+80.26

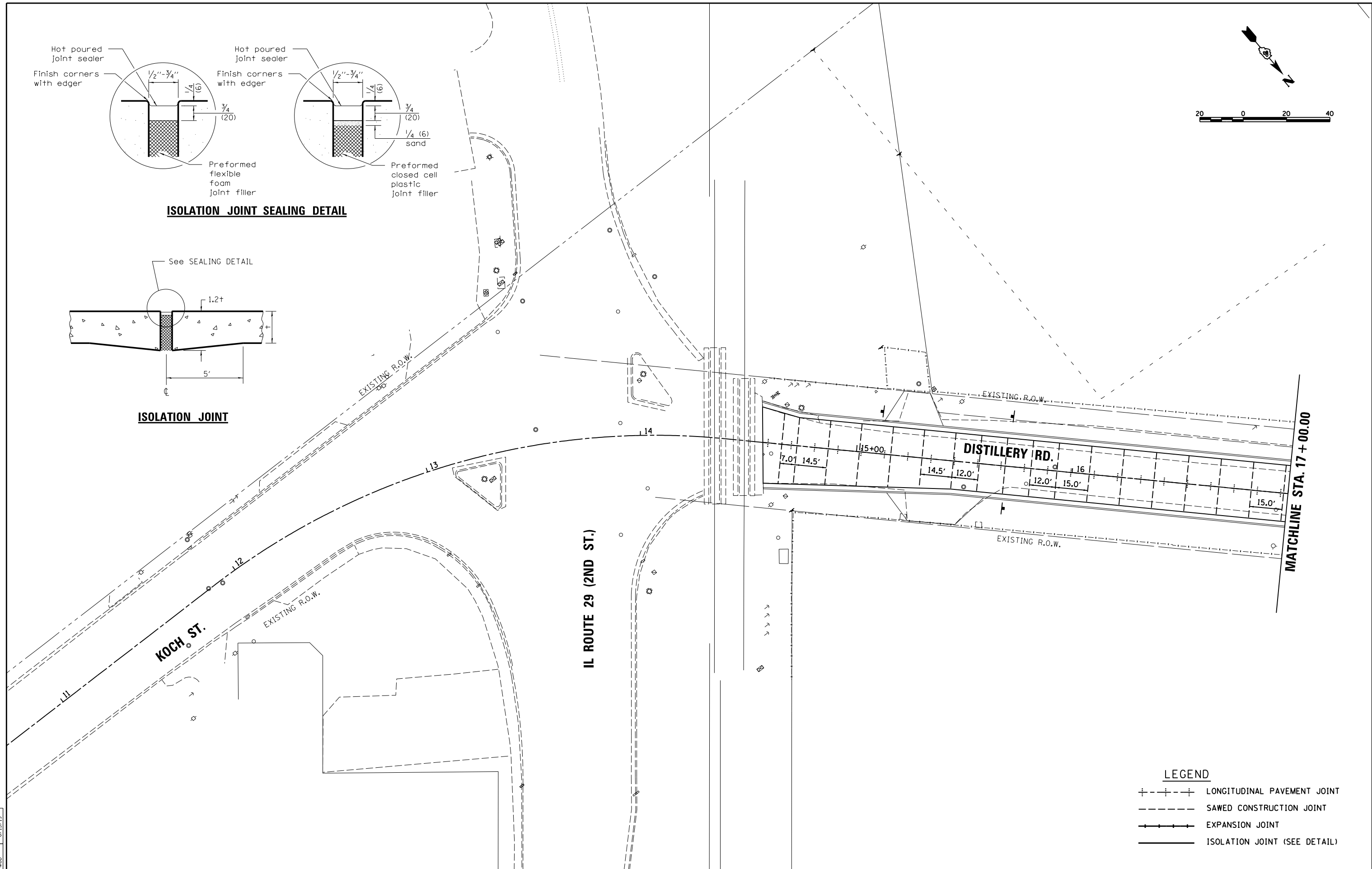
F.A.U. RTE.	SECTION	COUNTY	TOTAL SHEETS	SHEET NO.
	18-00188-00-RP	TAZEWELL	180	112
CONTRACT NO.89749			ILLINOIS FED. AID PROJECT	



ISOLATION JOINT SEALING DETAIL



ISOLATION JOINT



LEGEND

	LONGITUDINAL PAVEMENT JOINT
	SAWED CONSTRUCTION JOINT
	EXPANSION JOINT
	ISOLATION JOINT (SEE DETAIL)

© Copyright Hanson Professional Services Inc. 2019
HANSON
 Hanson Professional Services Inc.

LAYOUT	BAB	4/29/19
DRAWN	RLA	6/13/19
REVIEWED	MGD	6/13/19

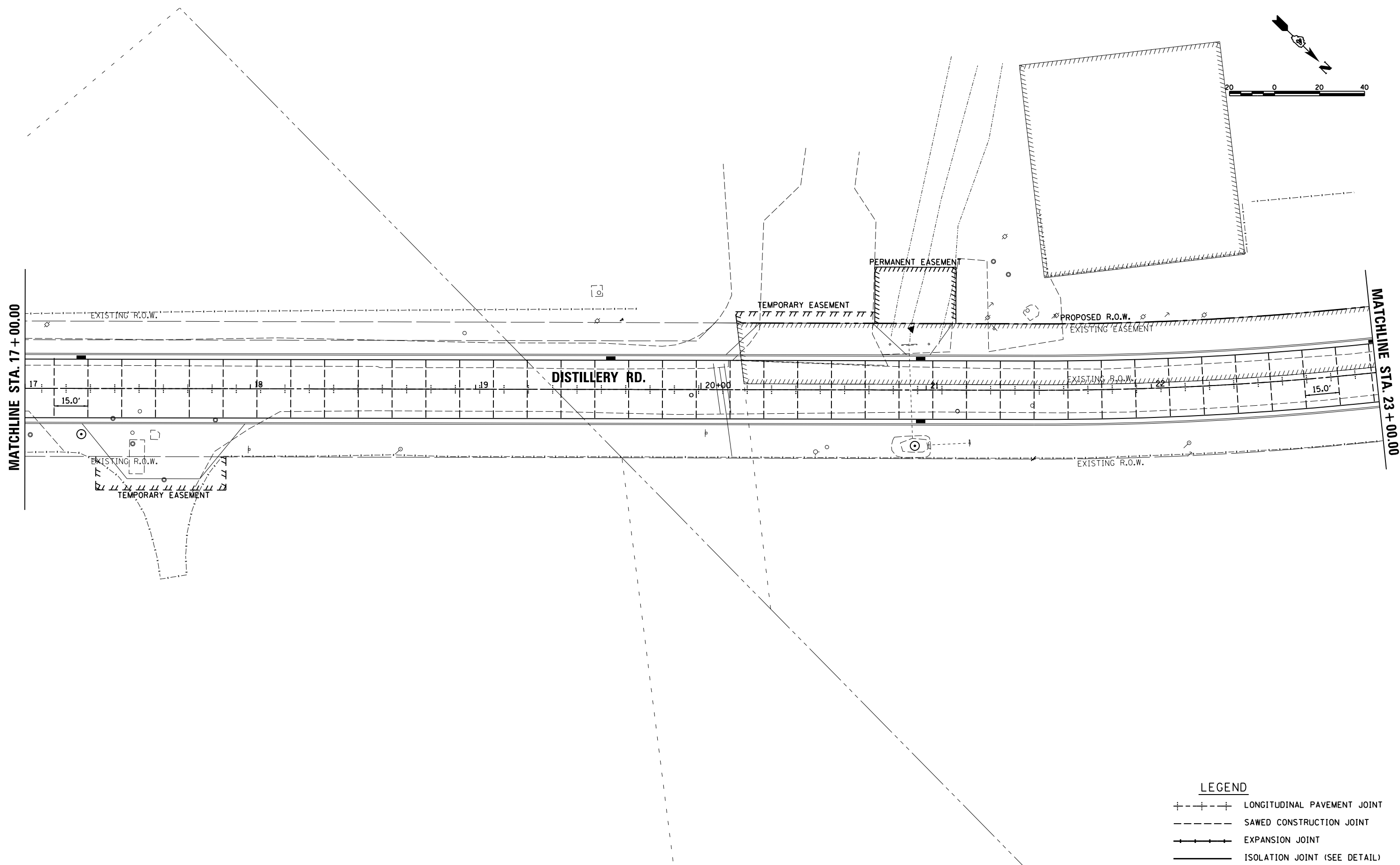
FILE NAME = I:\12\jobs\12L0052\CAD\Road\Sheet\sh-t-jointing01.dgn	USER NAME = Ander00846	DESIGNED - BAB	REVISED -
Default		DRAWN - RLA	REVISED -
		CHECKED - MGD	REVISED -
		DATE - 6/20/19	REVISED -

STATE OF ILLINOIS
DEPARTMENT OF TRANSPORTATION

DISTILLERY ROAD
JOINTING PLANS

SCALE: 1"=20' SHEET 1 OF 9 SHEETS STA. 14+56.60 TO STA.17+00.00

F.A.U. RTE.	SECTION	COUNTY	TOTAL SHEETS	SHEET NO.
	18-00188-00-RP	TAZEWELL	180	113
CONTRACT NO.89749			ILLINOIS FED. AID PROJECT	



LAYOUT	BAB	4/29/19
DRAWN	RLA	6/13/19
REVIEWED	MGD	6/13/19

FILE NAME = I:\12_jobs\12L0052\CAD\Road\Sheet\sh-t-jointing02.dgn	USER NAME = Ander00846	DESIGNED - BAB	REVISED -
Default		DRAWN - RLA	REVISED -
	PLOT SCALE = 40.0000' / in.	CHECKED - MGD	REVISED -
	PLOT DATE = 6/17/2019	DATE - 6/20/19	REVISED -

**STATE OF ILLINOIS
 DEPARTMENT OF TRANSPORTATION**

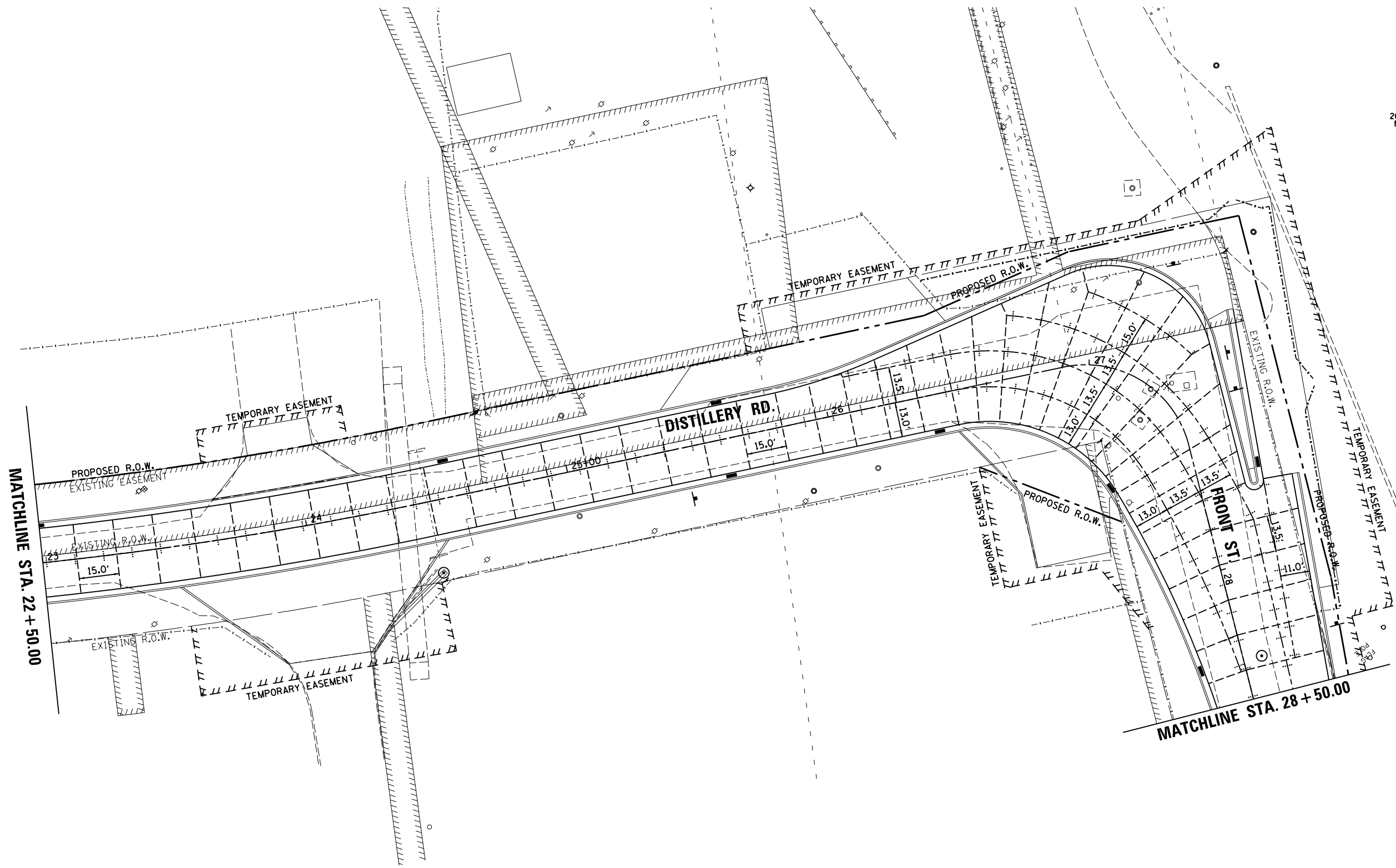
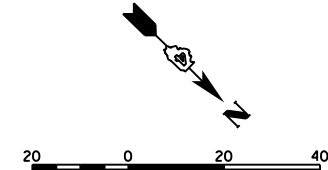
**DISTILLERY ROAD
 JOINTING PLANS**

SCALE: 1"=20' SHEET 2 OF 9 SHEETS STA. 17+00.00 TO STA. 23+00.00

LEGEND

- +---+---+ LONGITUDINAL PAVEMENT JOINT
- SAWED CONSTRUCTION JOINT
- ==== EXPANSION JOINT
- ISOLATION JOINT (SEE DETAIL)

F.A.U. RTE.	SECTION	COUNTY	TOTAL SHEETS	SHEET NO.
	18-00188-00-RP	TAZEWELL	180	114
CONTRACT NO.89749			ILLINOIS FED. AID PROJECT	



LEGEND

	LONGITUDINAL PAVEMENT JOINT
	SAWED CONSTRUCTION JOINT
	EXPANSION JOINT
	ISOLATION JOINT (SEE DETAIL)

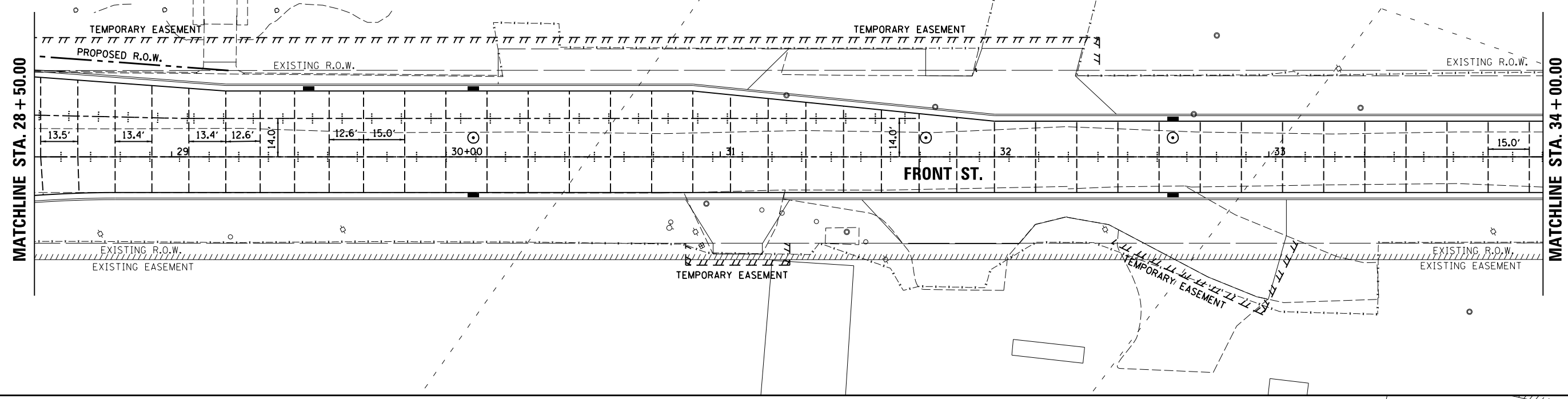
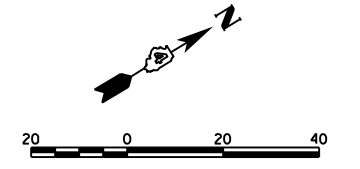
LAYOUT	BAB	4/29/19
DRAWN	RLA	6/13/19
REVIEWED	MGD	6/13/19

FILE NAME =	I:\12\jobs\12L0052\CAD\Road\Sheet\sh-t-jointing03.dgn	DESIGNED -	BAB	REVISED -	
USER NAME =	Ander00846	DRAWN -	RLA	REVISED -	
PLOT SCALE =	40.0000' / in.	CHECKED -	MGD	REVISED -	
PLOT DATE =	6/17/2019	DATE -	6/20/19	REVISED -	

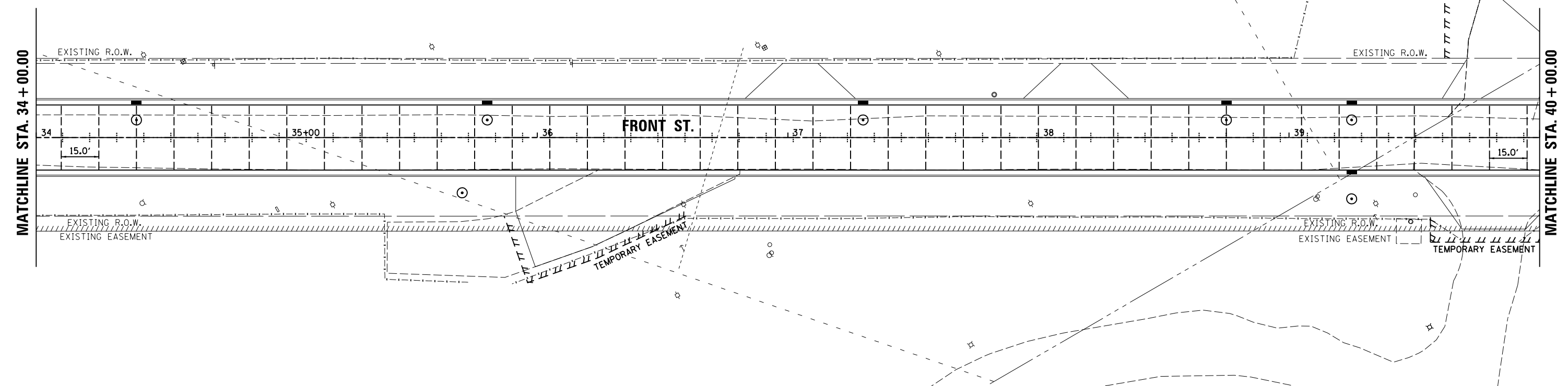
**STATE OF ILLINOIS
 DEPARTMENT OF TRANSPORTATION**

DISTILLERY ROAD /FRONT STREET JOINTING PLANS		
SCALE: 1"=20'	SHEET 3 OF 9 SHEETS	STA. 23+00.00 TO STA.28+50.00

F.A.U. RTE.	SECTION	COUNTY	TOTAL SHEETS	SHEET NO.
	18-00188-00-RP	TAZEWELL	180	115
CONTRACT NO.89749				
ILLINOIS FED. AID PROJECT				



- LEGEND**
- +---+--- LONGITUDINAL PAVEMENT JOINT
 - SAWED CONSTRUCTION JOINT
 - +--- EXPANSION JOINT
 - ISOLATION JOINT (SEE DETAIL)



© Copyright Hanson Professional Services Inc. 2019
HANSON
 Hanson Professional Services Inc.

LAYOUT	BAB	4/29/19
DRAWN	RLA	6/13/19
REVIEWED	MGD	6/13/19

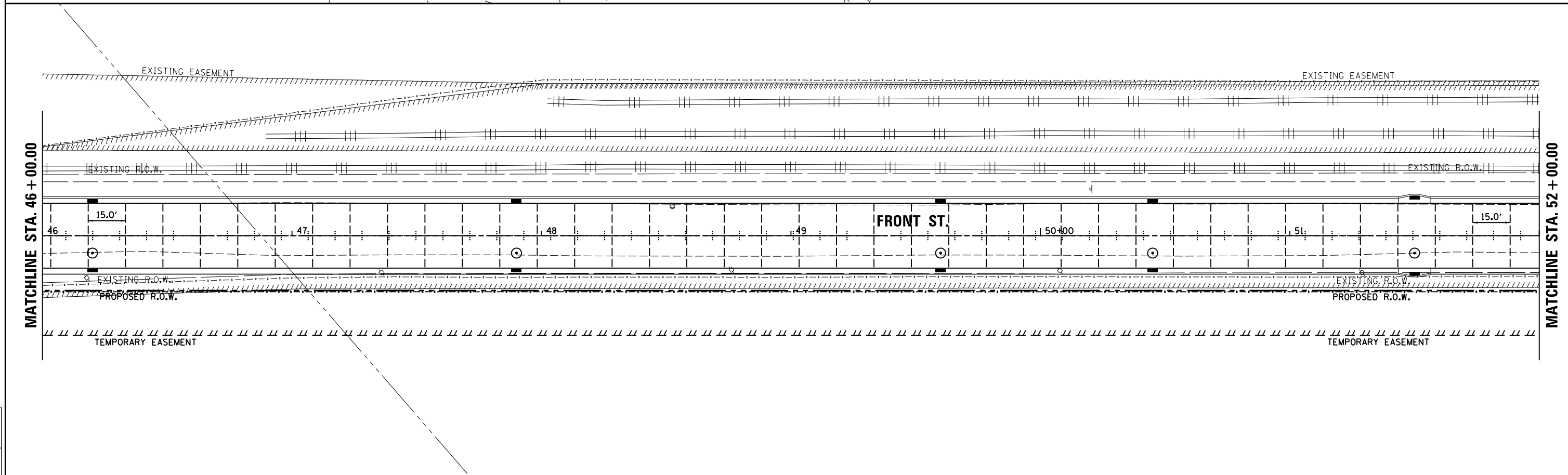
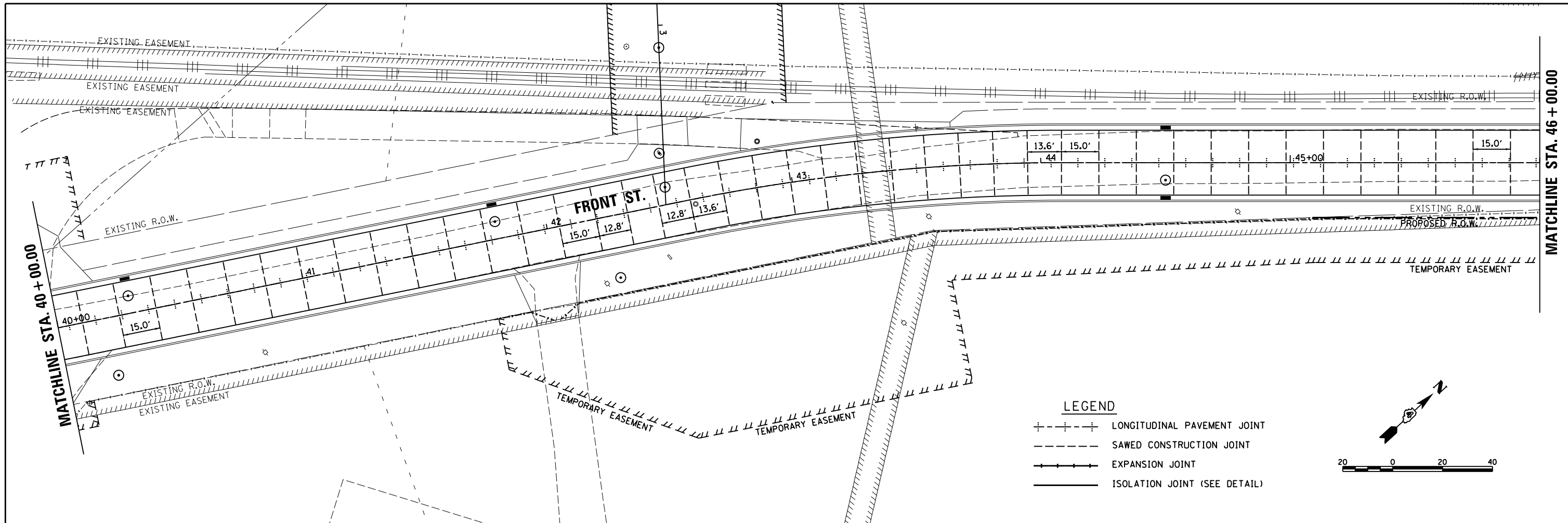
FILE NAME = I:\12\jobs\12L0052\CAD\Road\Sheet\jointing04.dgn	USER NAME = Ander00846	DESIGNED - BAB	REVISED -
PLOT SCALE = 40.0000' / in.	CHECKED - MGD	DRAWN - RLA	REVISED -
PLOT DATE = 6/17/2019	DATE - 6/20/19	REVIEWED -	REVISED -

STATE OF ILLINOIS
DEPARTMENT OF TRANSPORTATION

SCALE: 1"=20'	SHEET 4 OF 9 SHEETS	STA. 28+50.00 TO STA. 40+00.00
---------------	---------------------	--------------------------------

FRONT STREET
JOINTING PLANS

F.A.U. RTE.	SECTION	COUNTY	TOTAL SHEETS	SHEET NO.
	18-00188-00-RP	TAZEWELL	180	116
CONTRACT NO.89749				
ILLINOIS FED. AID PROJECT				



LAYOUT	BAB	4/29/19
DRAWN	RLA	6/13/19
REVIEWED	MGD	6/13/19

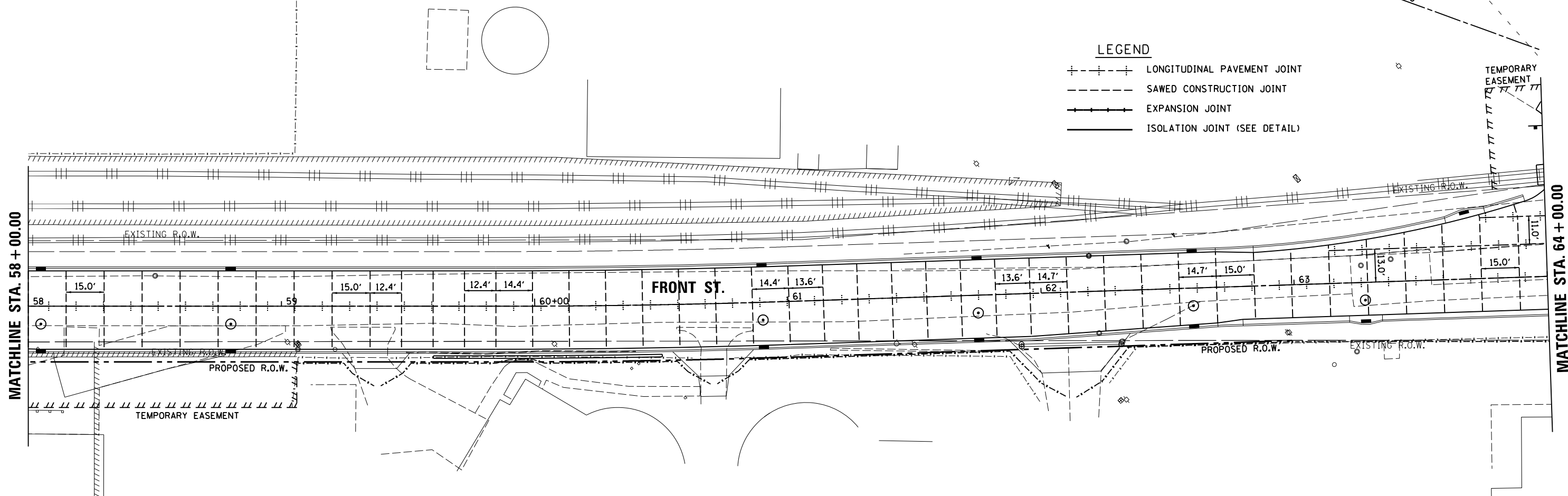
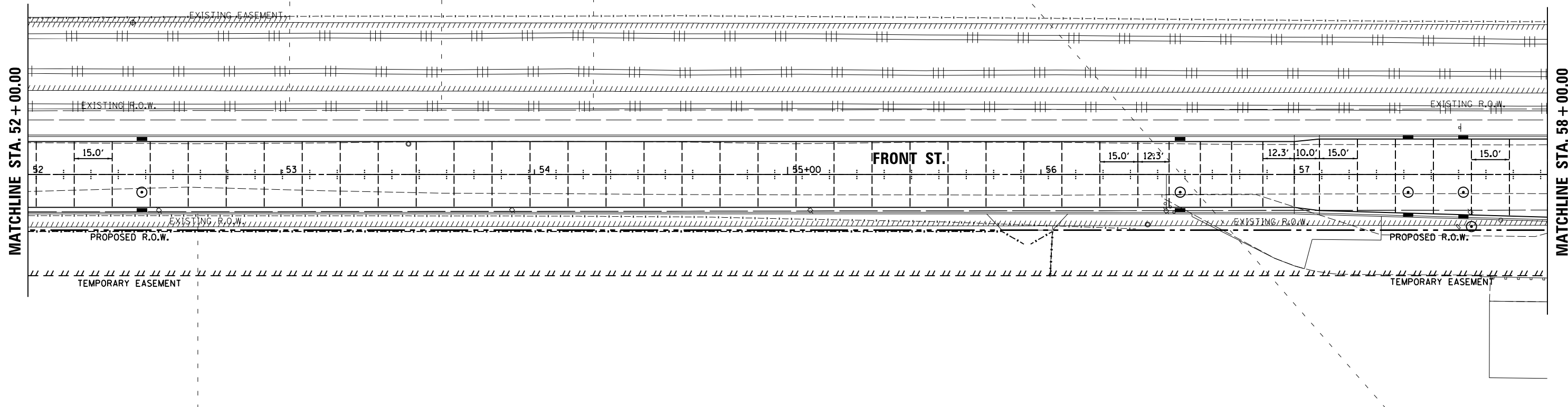
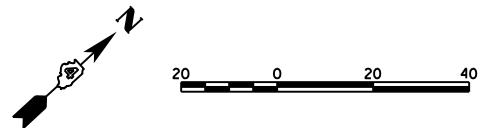
FILE NAME =	I:\12\jobs\12L0052\CAD\Road\Sheet\sh-jointing05.dgn	DESIGNED -	BAB	REVISED -	
USER NAME =	Ander00846	DRAWN -	RLA	REVISED -	
PLOT SCALE =	40.0000' / in.	CHECKED -	MGD	REVISED -	
DATE =	6/17/2019	DATE -	6/20/19	REVISED -	

**STATE OF ILLINOIS
 DEPARTMENT OF TRANSPORTATION**

**FRONT STREET
 JOINTING PLANS**

SCALE: 1"=20' SHEET 5 OF 9 SHEETS STA. 40+00.00 TO STA. 52+00.00

F.A.U. RTE.	SECTION	COUNTY	TOTAL SHEETS	SHEET NO.
	18-00188-00-RP	TAZEWELL	180	117
CONTRACT NO.89749				
ILLINOIS FED. AID PROJECT				



LEGEND

—+—+—+—	LONGITUDINAL PAVEMENT JOINT
- - - - -	SAWED CONSTRUCTION JOINT
—+—+—+—	EXPANSION JOINT
—+—+—+—	ISOLATION JOINT (SEE DETAIL)

LAYOUT	BAB	4/29/19
DRAWN	RLA	6/13/19
REVIEWED	MGD	6/13/19

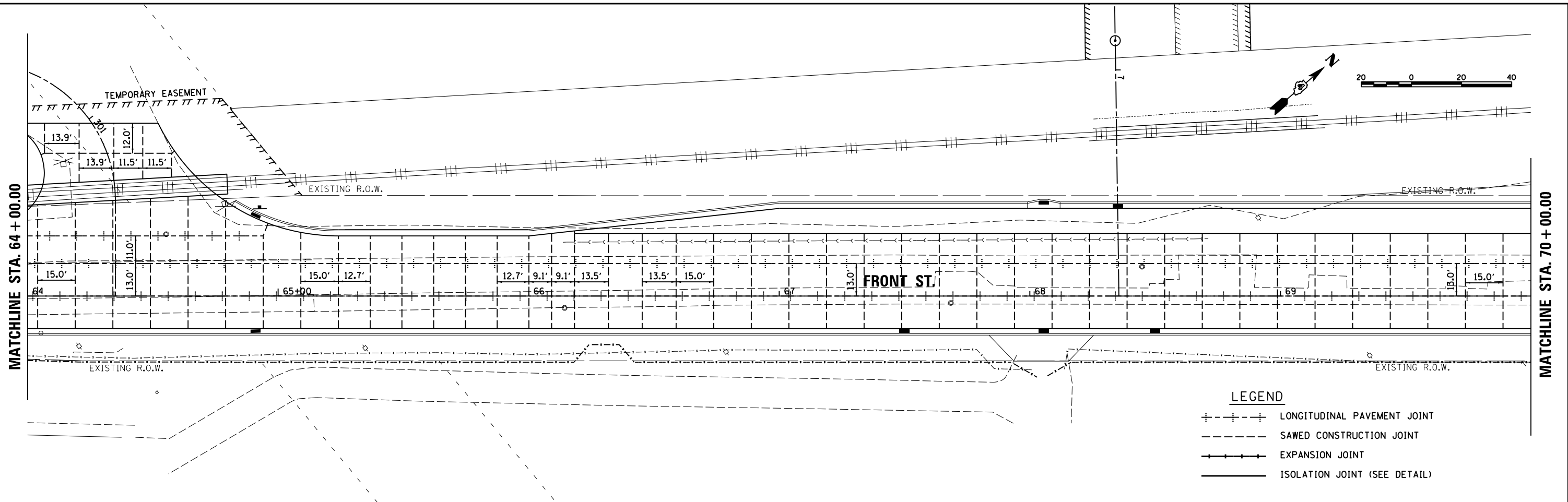
FILE NAME = I:\12\jobs\12L0052\CAD\Road\Sheet\sh-jointing05.dgn	USER NAME = Ander00846	DESIGNED - BAB	REVISED -
PLOT SCALE = 40.0000' / in.	CHECKED - MGD	DRAWN - RLA	REVISED -
PLOT DATE = 6/17/2019	DATE - 6/20/19	REVISOR -	REVISED -

**STATE OF ILLINOIS
 DEPARTMENT OF TRANSPORTATION**

**FRONT STREET
 JOINTING PLANS**

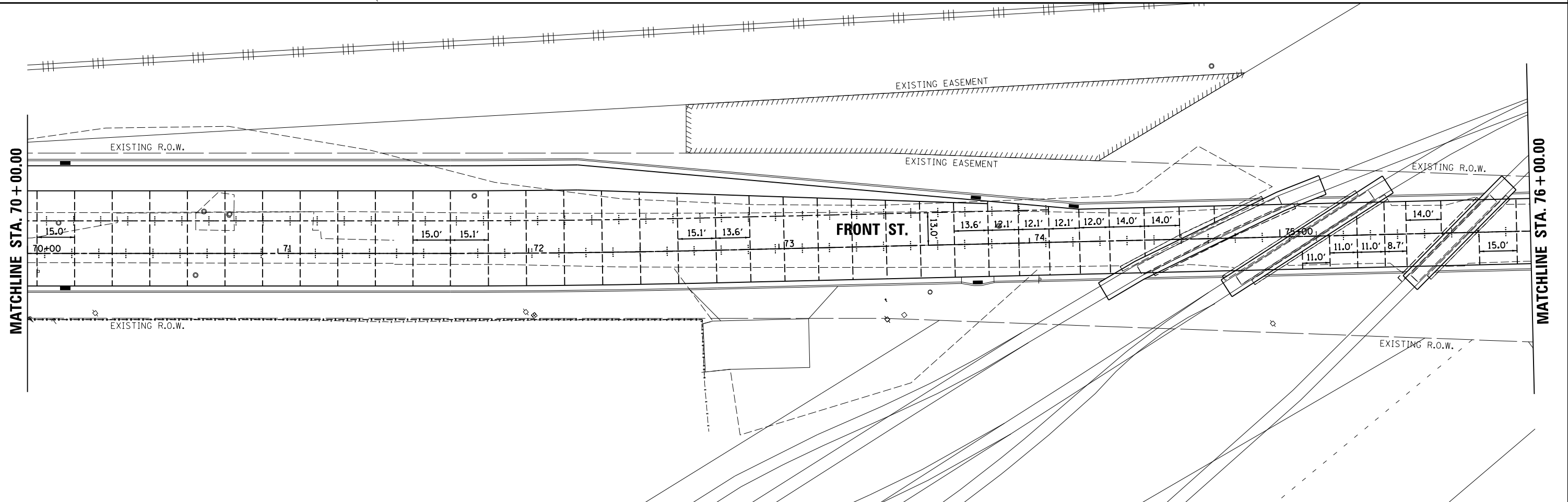
SCALE: 1"=20' SHEET 6 OF 9 SHEETS STA. 52+00.00 TO STA. 64+00.00

F.A.U. RTE.	SECTION	COUNTY	TOTAL SHEETS	SHEET NO.
	18-00188-00-RP	TAZEWELL	180	118
CONTRACT NO. 89749			ILLINOIS FED. AID PROJECT	



LEGEND

--- --- ---	LONGITUDINAL PAVEMENT JOINT
----	SAWED CONSTRUCTION JOINT
--- --- ---	EXPANSION JOINT
----	ISOLATION JOINT (SEE DETAIL)



LAYOUT	BAB	4/29/19
DRAWN	RLA	6/13/19
REVIEWED	MGD	6/13/19

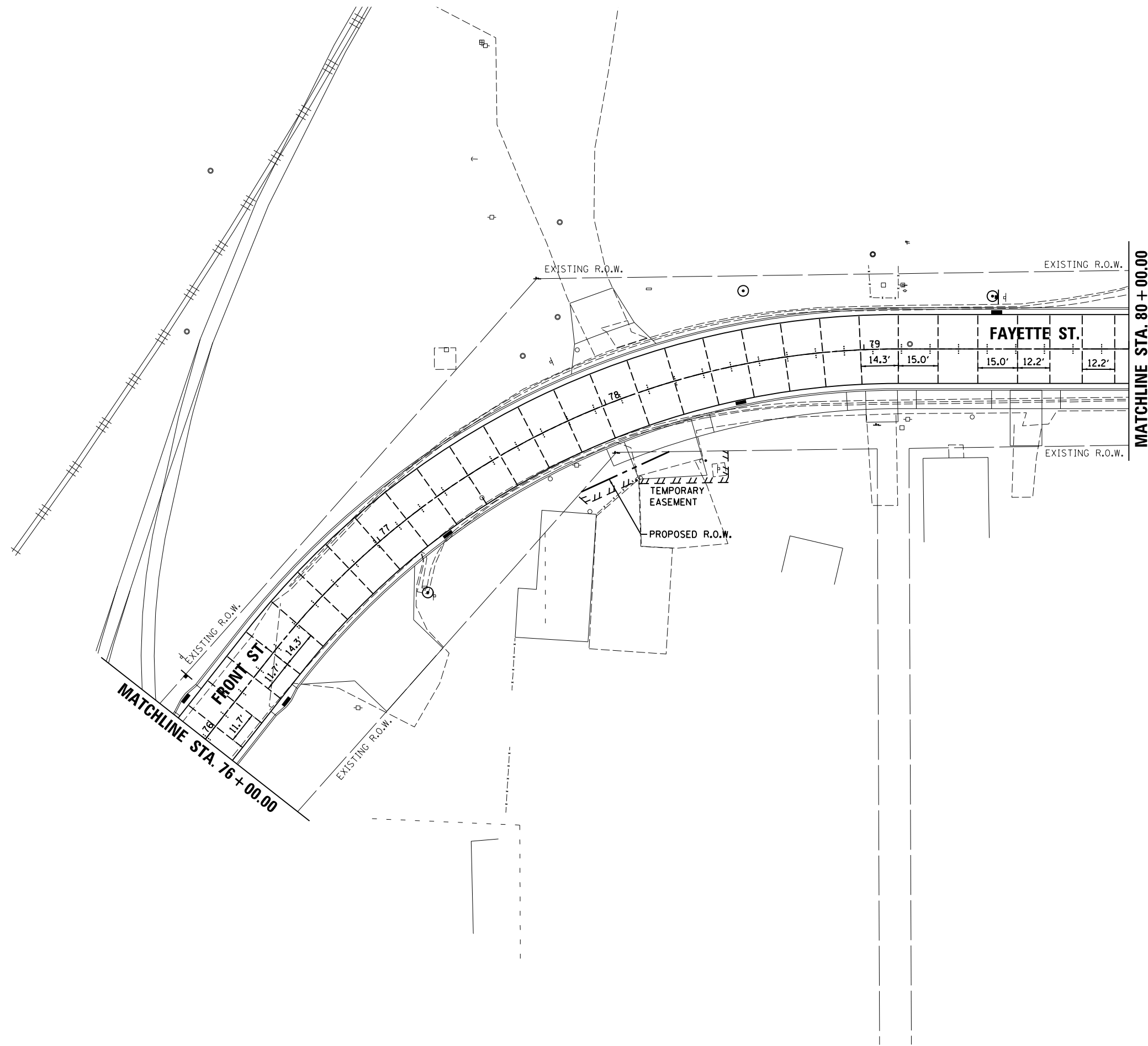
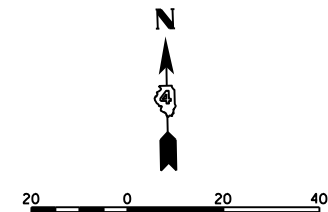
FILE NAME =	I:\12_jobs\12L0052\CAD\Road\Sheet\sh-t-jointing07.dgn	DESIGNED -	BAB	REVISED -	
USER NAME =	Ande00846	DRAWN -	RLA	REVISED -	
PLOT SCALE =	40.0000' / in.	CHECKED -	MGD	REVISED -	
DATE =	6/17/2019	DATE -	6/20/19	REVISED -	

**STATE OF ILLINOIS
 DEPARTMENT OF TRANSPORTATION**

**FRONT STREET
 JOINTING PLANS**

SCALE: 1"=20' SHEET 7 OF 9 SHEETS STA. 64+00.00 TO STA. 76+00.00

F.A.U. RTE.	SECTION	COUNTY	TOTAL SHEETS	SHEET NO.
	18-00188-00-RP	TAZEWELL	180	119
			CONTRACT NO.89749	
ILLINOIS FED. AID PROJECT				



MATCHLINE STA. 80 + 00.00

MATCHLINE STA. 76 + 00.00

LEGEND

- ⊕-⊕-⊕-⊕ LONGITUDINAL PAVEMENT JOINT
- SAWED CONSTRUCTION JOINT
- ⊕-⊕-⊕-⊕ EXPANSION JOINT
- ISOLATION JOINT (SEE DETAIL)

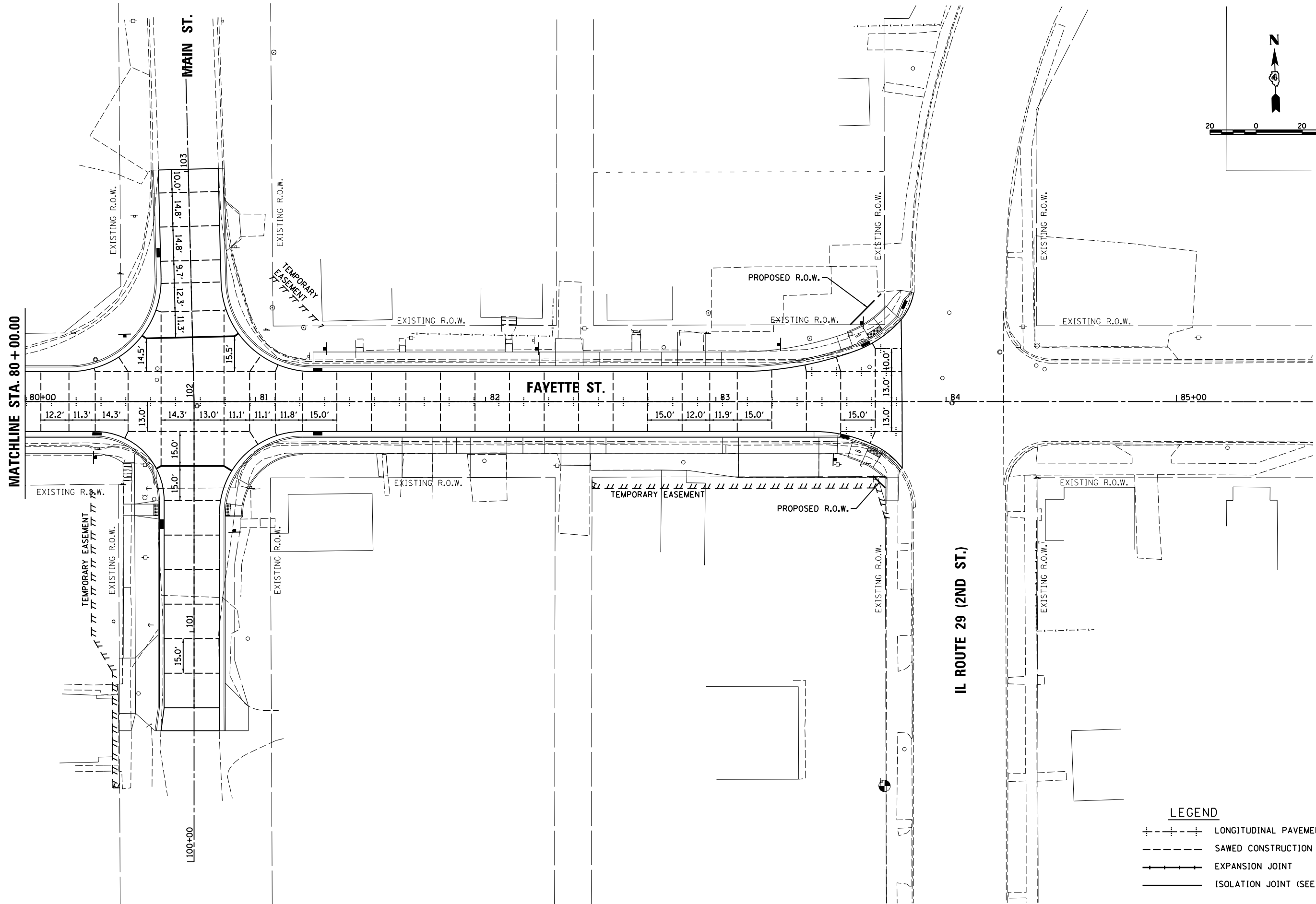
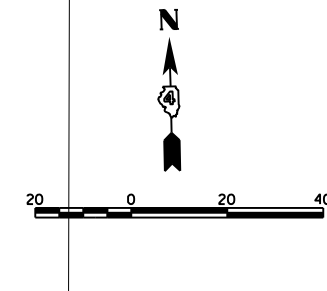
LAYOUT	BAB	4/29/19
DRAWN	RLA	6/13/19
REVIEWED	MGD	6/13/19

FILE NAME =	I:\12_jobs\12L0052\CAD\Road\Sheet\sh-t-jointing08.dgn	DESIGNED -	BAB	REVISED -	
USER NAME =	Ander00846	DRAWN -	RLA	REVISED -	
PLOT SCALE =	40.0000' / in.	CHECKED -	MGD	REVISED -	
PLOT DATE =	6/17/2019	DATE -	6/20/19	REVISED -	

**STATE OF ILLINOIS
 DEPARTMENT OF TRANSPORTATION**

FRONT STREET /FAYETTE STREET JOINTING PLANS	
SCALE: 1"=20'	SHEET 8 OF 9 SHEETS STA. 76+00.00 TO STA.80+00.00

F.A.U. RTE.	SECTION	COUNTY	TOTAL SHEETS	SHEET NO.
	18-00188-00-RP	TAZEWELL	180	120
CONTRACT NO.89749			ILLINOIS FED. AID PROJECT	



LAYOUT	BAB	4/29/19
DRAWN	RLA	6/13/19
REVIEWED	MGD	6/13/19

FILE NAME =	I:\12\jobs\12L0052\CAD\Road\Sheet\sh-t-jointing09.dgn	DESIGNED -	BAB	REVISED -	
USER NAME =	Ander00846	DRAWN -	RLA	REVISED -	
PLOT SCALE =	40.0000' / in.	CHECKED -	MGD	REVISED -	
DATE =	6/17/2019	DATE -	6/20/19	REVISED -	

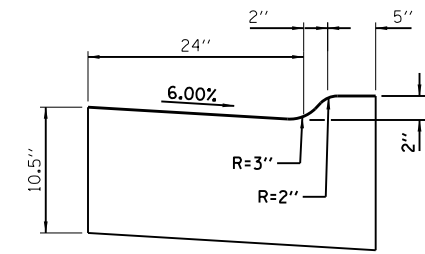
**STATE OF ILLINOIS
 DEPARTMENT OF TRANSPORTATION**

**FAYETTE STREET
 JOINTING PLANS**

SCALE: 1"=20' SHEET 9 OF 9 SHEETS STA. 80+00.00 TO STA. 83+80.91

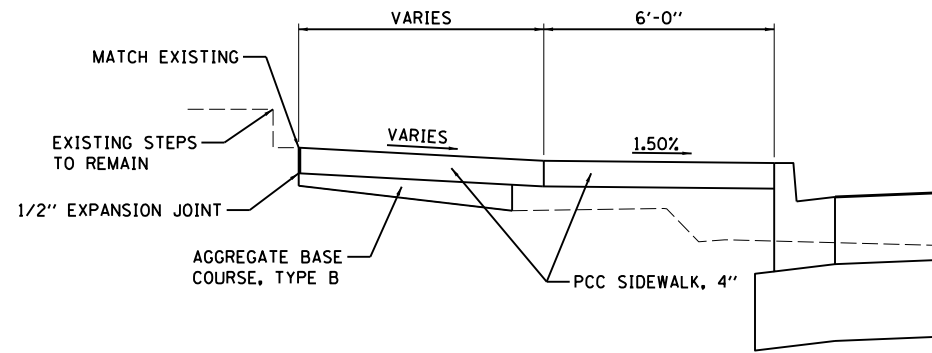
LEGEND	
	LONGITUDINAL PAVEMENT JOINT
	SAWED CONSTRUCTION JOINT
	EXPANSION JOINT
	ISOLATION JOINT (SEE DETAIL)

F.A.U. RTE.	SECTION	COUNTY	TOTAL SHEETS	SHEET NO.
	18-00188-00-RP	TAZEWELL	180	121
CONTRACT NO.89749			ILLINOIS FED. AID PROJECT	



SECTION A-A
COMBINATION CONCRETE CURB
AND GUTTER, TYPE M (SPECIAL)

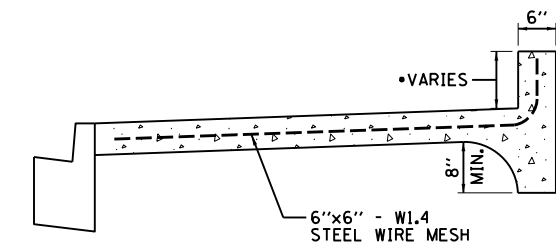
(EQUIVALENT TO M-2.24)



STEP TIE IN DETAIL

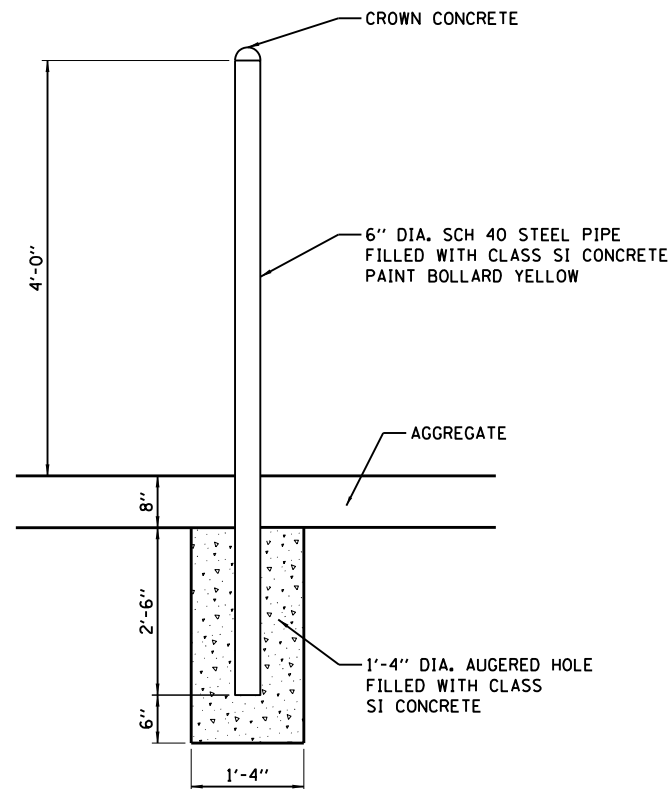
NOTE:

1. AGGREGATE BASE COURSE, TYPE B SHALL NOT BE PAID FOR SEPARATELY BUT SHALL BE INCLUDED IN THE CONTRACT UNIT PRICE PER SQUARE FOOT FOR PCC SIDEWALK, 4"

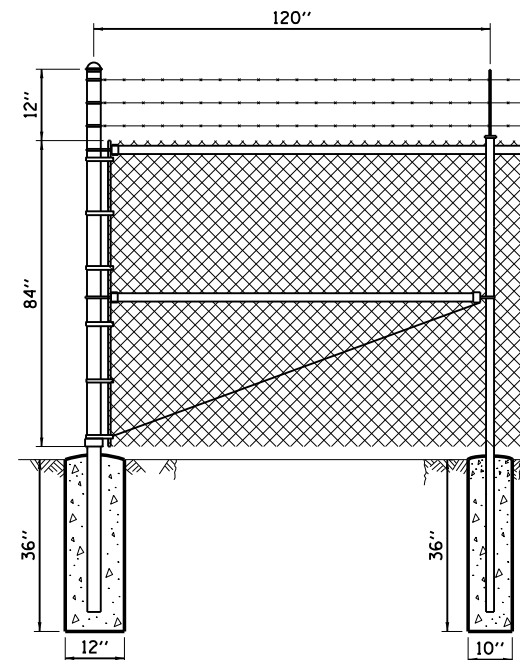


COMBINATION CONCRETE CURB
AND SIDEWALK 4 INCH (SPECIAL)

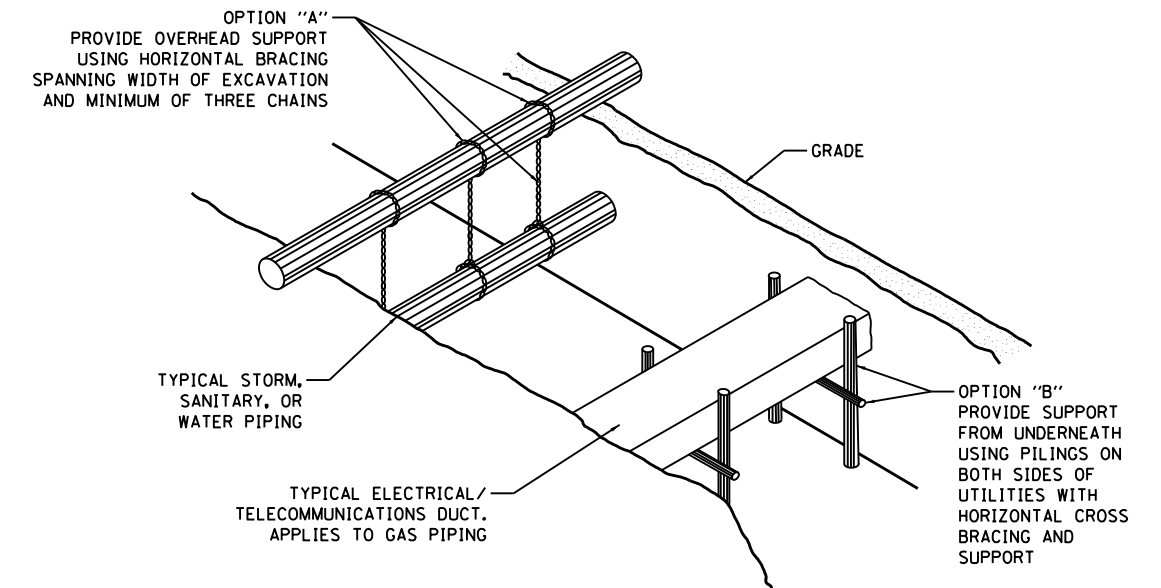
• SEE GRADING PLANS FOR HEIGHT (12" MAXIMUM)



BOLLARD DETAIL



CHAIN LINK FENCE DETAIL



TEMPORARY SUPPORT OF EXISTING UTILITIES

NOTES:

1. STORM, SANITARY & WATER PIPING JOINTS MUST HAVE SUPPORTS ON BOTH SIDES OF JOINT.
2. THIS DETAIL IS FOR ILLUSTRATIVE PURPOSE ONLY. SPECIFIC METHODS OF SUPPORT ARE A MATTER OF MEANS AND METHODS TO BE DETERMINED AND DESIGNED BY THE CONTRACTOR.

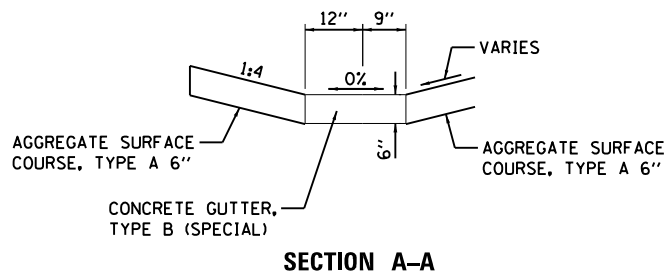
LAYOUT	BAB	4/29/19
DRAWN	RLA	6/13/19
REVIEWED	MGD	6/13/19

FILE NAME =	USER NAME = Ander00846	DESIGNED - BAB	REVISED -
I:\12\jobs\12L0052\CAD\Road\Sheet\sh-t-de-02.dgn		DRAWN - RLA	REVISED -
PLOT SCALE = 10.0000 ' / in.		CHECKED - MGD	REVISED -
Default	PLOT DATE = 6/17/2019	DATE - 6/20/19	REVISED -

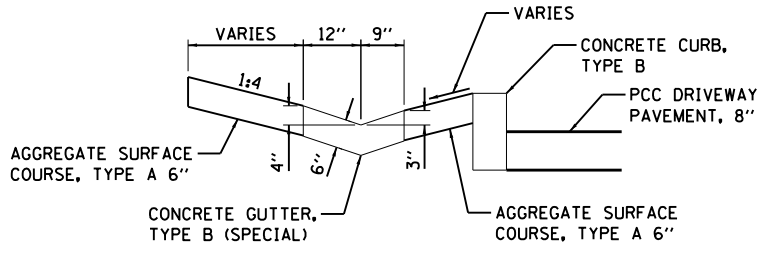
STATE OF ILLINOIS
DEPARTMENT OF TRANSPORTATION

FRONT STREET	
MISCELLANEOUS DETAILS	
SCALE: N/A	SHEET 1 OF 7 SHEETS STA. TO STA.

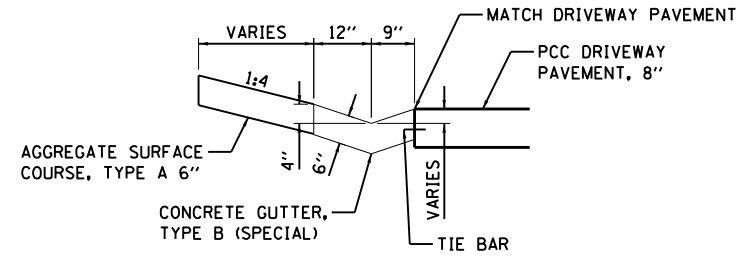
F.A.U. RTE.	SECTION	COUNTY	TOTAL SHEETS	SHEET NO.
	18-00188-00-RP	TAZEWELL	180	122
CONTRACT NO.89749				
ILLINOIS FED. AID PROJECT				



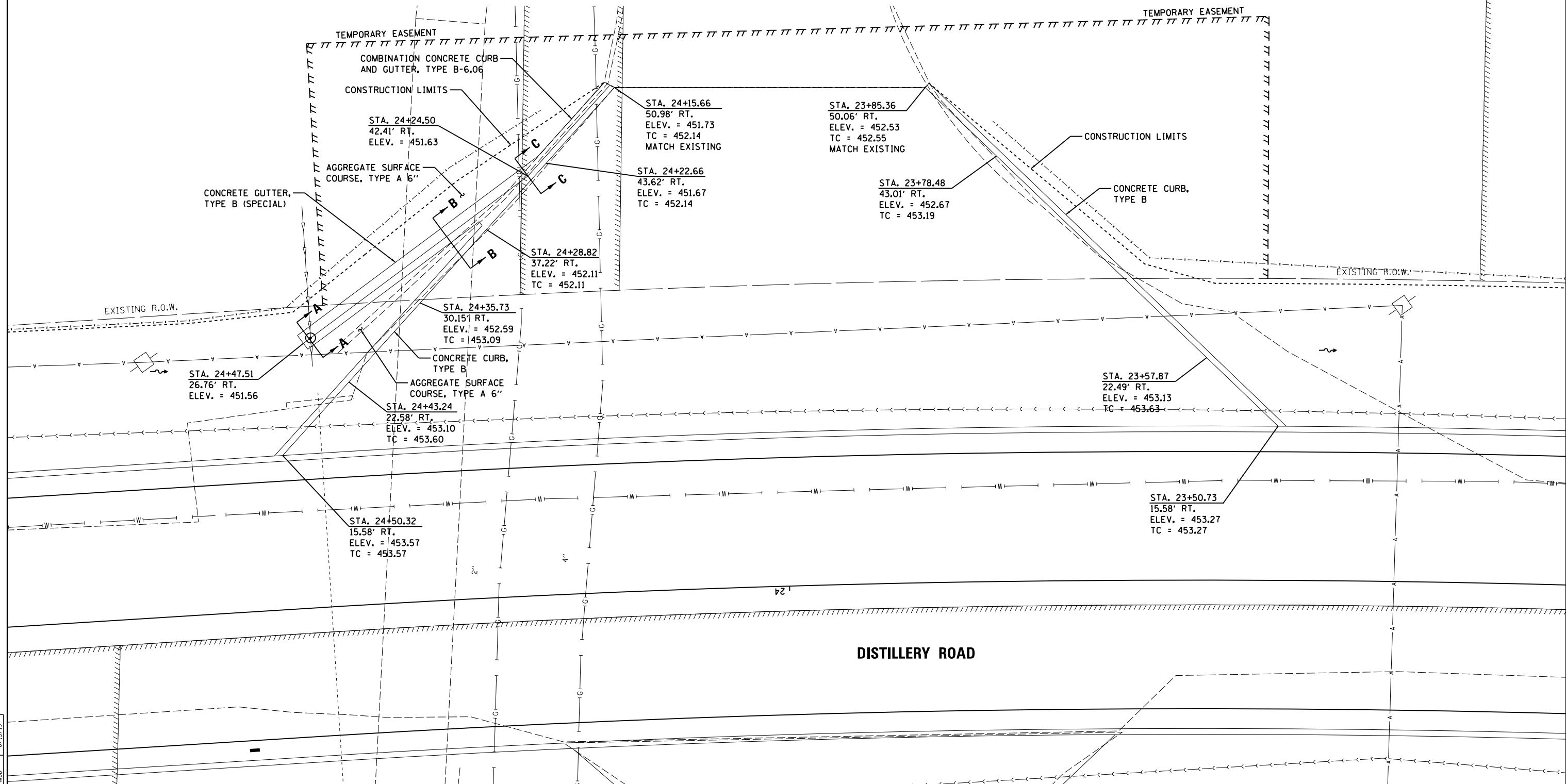
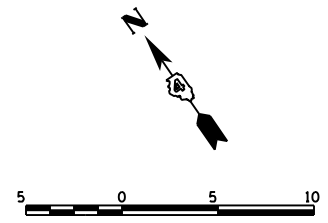
SECTION A-A



SECTION B-B



SECTION C-C



© Copyright Hanson Professional Services, Inc. 2019
HANSON
 Hanson Professional Services, Inc.

LAYOUT	BAB	4/29/19
DRAWN	RLA	6/13/19
REVIEWED	MGD	6/13/19

FILE NAME =	I:\12\jobs\12L0052\CAD\Road\Sheet\shd-03.dgn								
USER NAME =	Ander00846								
DESIGNED -	BAB								
DRAWN -	RLA								
CHECKED -	MGD								
DATE -	6/20/19								
REVISIONS	<table border="1"> <tr> <td>REVISED -</td> <td></td> </tr> <tr> <td>REVISED -</td> <td></td> </tr> <tr> <td>REVISED -</td> <td></td> </tr> <tr> <td>REVISED -</td> <td></td> </tr> </table>	REVISED -		REVISED -		REVISED -		REVISED -	
REVISED -									
REVISED -									
REVISED -									
REVISED -									

STATE OF ILLINOIS
DEPARTMENT OF TRANSPORTATION

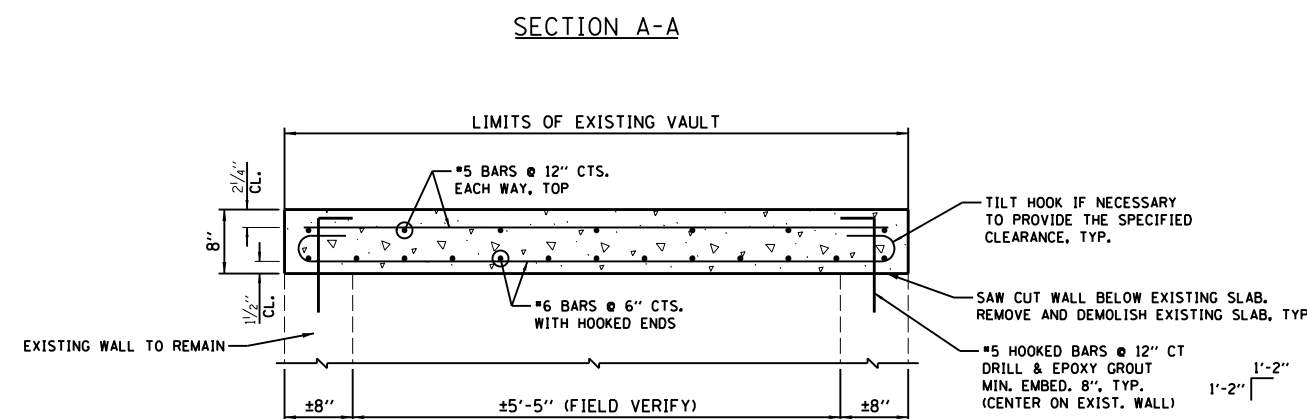
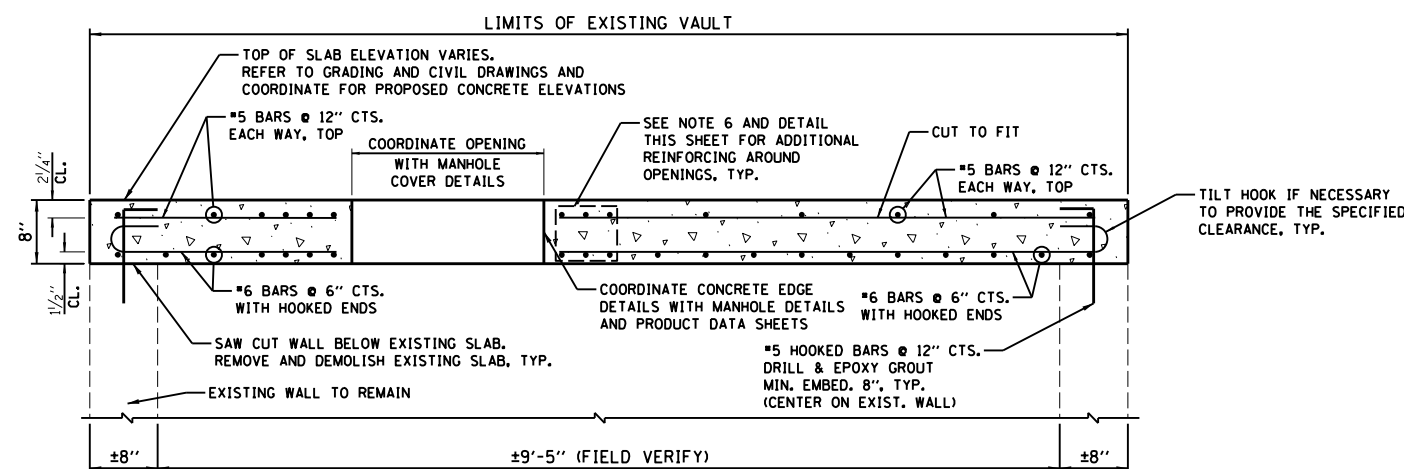
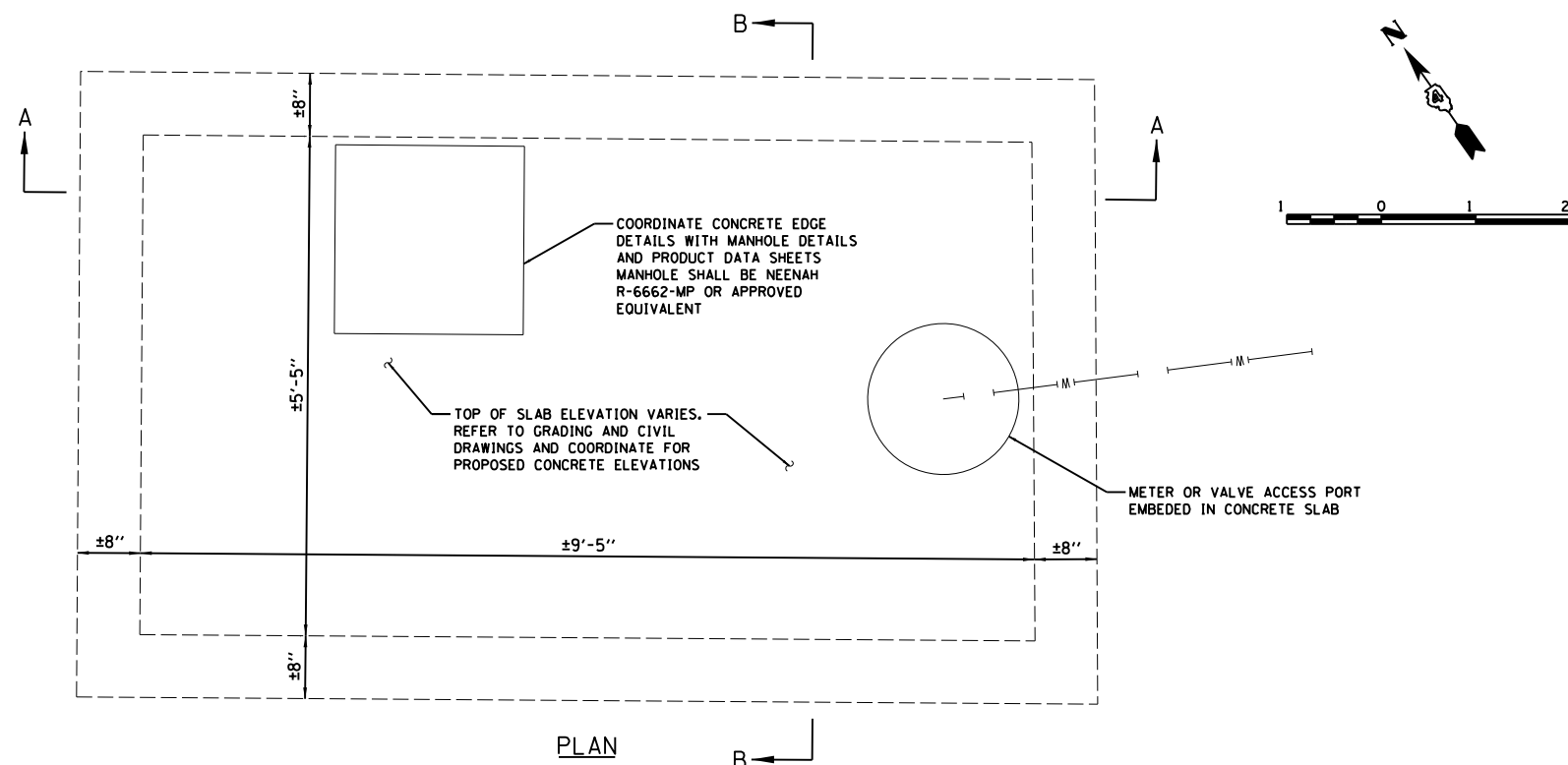
SCALE: 1"=5'	SHEET 2 OF 7 SHEETS	STA. _____ TO STA. _____
--------------	---------------------	--------------------------

DISTILLERY ROAD
ENTRANCE DETAIL

F.A.U. RTE.	SECTION	COUNTY	TOTAL SHEETS	SHEET NO.
	18-00188-00-RP	TAZEWELL	180	123
CONTRACT NO.89749				
ILLINOIS FED. AID PROJECT				

GENERAL NOTES

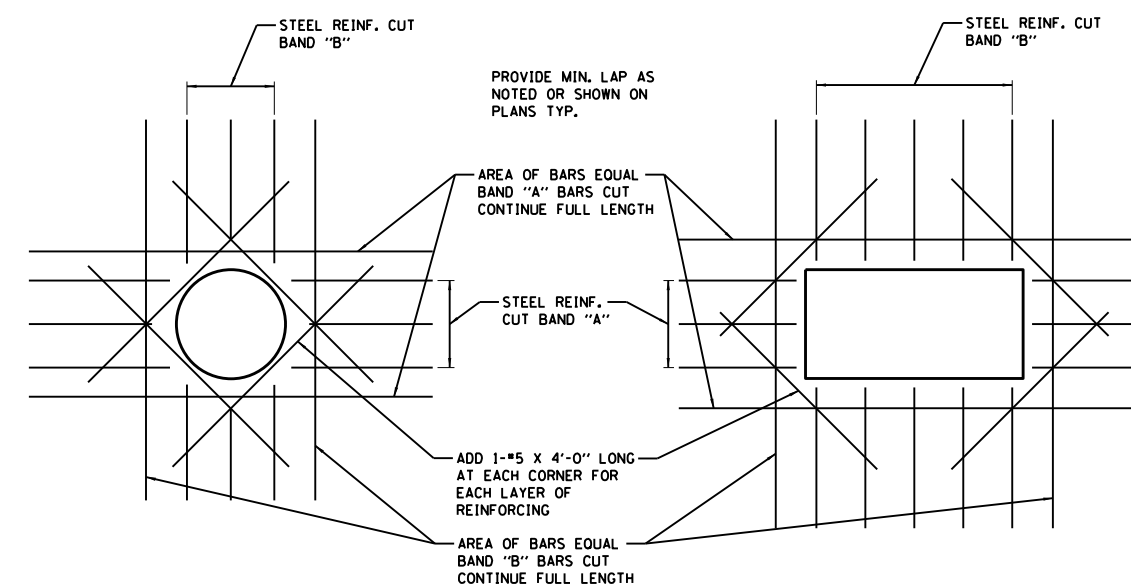
1. THE CONTRACTOR SHALL FIELD LOCATE AND PROTECT ALL UTILITIES BEFORE STARTING CONSTRUCTION. THE CONTRACTOR SHALL SUBMIT INFORMATION REGARDING THE PROTECTION OF ALL UTILITIES TO THE ENGINEER FOR REVIEW.
2. THERE WILL BE NO ADDITIONAL COMPENSATION SHOULD ANY REINFORCEMENT NEED TO BE CUT OR BENT IN THE FIELD.
3. THE CONTRACTOR SHALL FIELD VERIFY ALL DIMENSIONS AND EXISTING CONDITIONS PRIOR TO CONSTRUCTION. NOTIFY THE OWNER'S REPRESENTATIVE OF ANY DISCREPANCY IMMEDIATELY.
4. PLAN DIMENSIONS AND DETAILS RELATIVE TO EXISTING STRUCTURE HAVE BEEN TAKEN FROM NOMINAL FIELD MEASUREMENTS AND ARE SUBJECT TO NOMINAL CONSTRUCTION VARIATIONS. IT SHALL BE THE CONTRACTOR'S RESPONSIBILITY TO VERIFY SUCH DIMENSIONS AND DETAILS IN THE FIELD AND MAKE NECESSARY APPROVED ADJUSTMENTS PRIOR TO CONSTRUCTION OR ORDERING OF MATERIALS. SUCH VARIATIONS SHALL NOT BE CAUSE FOR ADDITIONAL COMPENSATION FOR A CHANGE IN THE SCOPE OF THE WORK.
5. CONTRACTOR SHALL BE RESPONSIBLE FOR PROTECTION OF STRUCTURE FROM FLOODING THROUGHOUT CONSTRUCTION.
6. UNLESS OTHERWISE SHOWN OR NOTED, PROVIDE 1 - #5 BAR (EACH LAYER/FACE) AROUND UNFRAMED OPENINGS IN CONCRETE WALLS AND SLABS. PLACE BARS ON ALL FOUR SIDES OR CORNERS OF OPENINGS AND EXTEND BARS 24" BEYOND CORNERS OF SQUARE OPENINGS AND THE EDGE OF CIRCULAR OPENINGS.
7. CONCRETE COMPRESSIVE STRENGTH $f'c = 5,000$ PSI @ 14 DAYS.
8. REINFORCING STEEL $f'y = 60,000$ PSI, ALL REINFORCEMENT TO BE EPOXY COATED.
9. PROVIDE AND INSTALL FULL LENGTH UNSPLICED REINFORCING BARS.



BILL OF MATERIAL

ITEM	UNIT	QUANTITY
CLASS SI CONCRETE	CU YD	1.8
REINFORCEMENT BARS, EPOXY COATED	LB	740
VALVE VAULTS TO BE ADJUSTED	EACH	1

CLASS SI CONCRETE AND REINFORCEMENT BARS, EPOXY COATED SHALL NOT BE PAID FOR SEPARATELY BUT SHALL BE INCLUDED IN THE CONTRACT UNIT PRICE PER EACH FOR "VALVE VAULTS TO BE ADJUSTED."



TYPICAL REINFORCING AROUND OPENINGS

LAYOUT	TND	4/29/19
DRAWN	RLA	6/13/19
REVIEWED	TND	6/13/19

FILE NAME =	I:\12\jobs\12L0052\CAD\Road\Sheet\sh-t-de-04.dgn	DESIGNED - TND	REVISED -
USER NAME =	Ander00846	DRAWN - RLA	REVISED -
PLOT SCALE =	2.0000' / in.	CHECKED - TND	REVISED -
PLOT DATE =	6/17/2019	DATE - 6/20/19	REVISED -

**STATE OF ILLINOIS
 DEPARTMENT OF TRANSPORTATION**

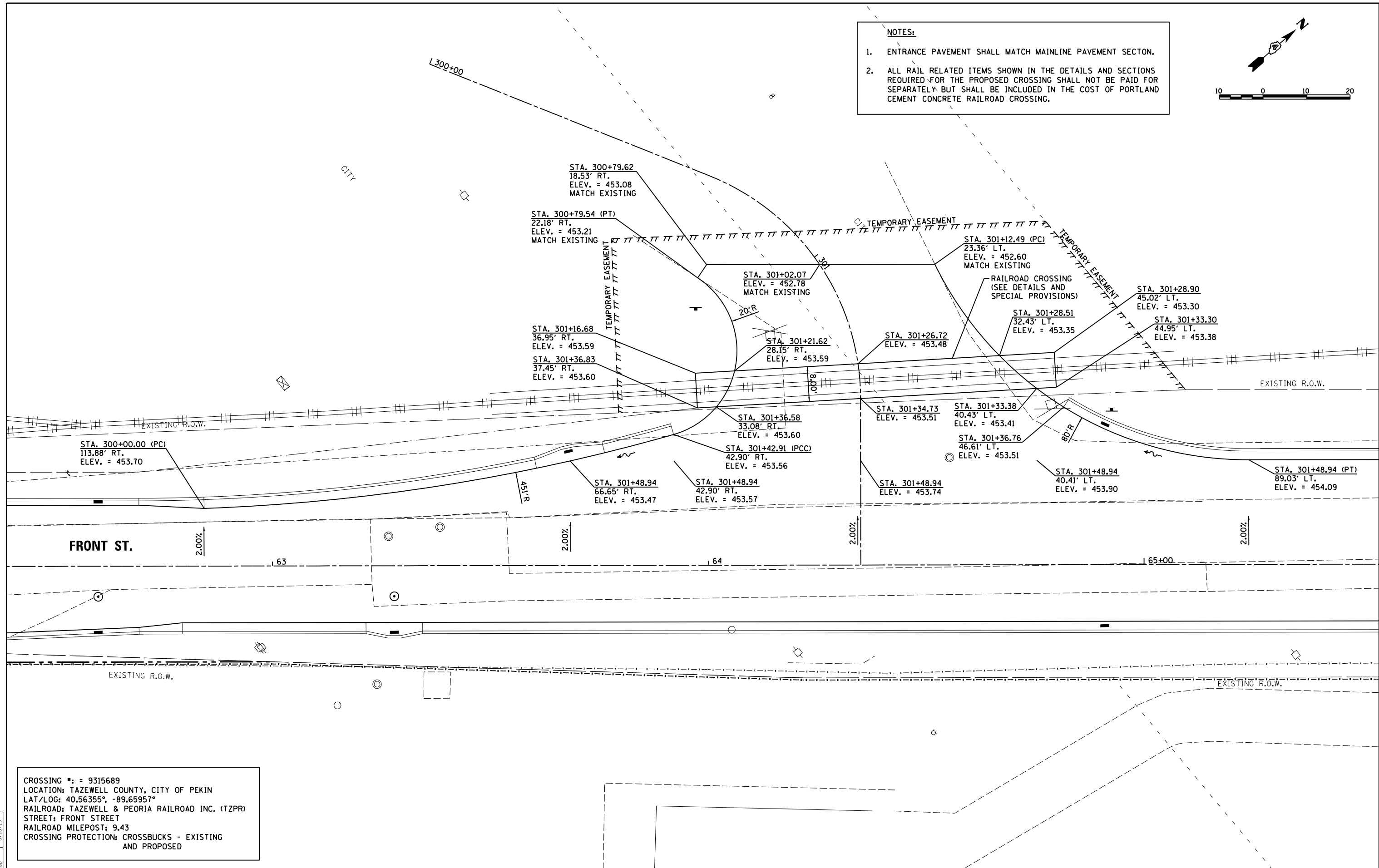
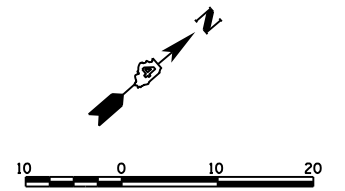
**DISTILLERY ROAD /FRONT STREET
 VALVE VAULT DETAILS**

SCALE: 1"=1' SHEET 3 OF 7 SHEETS STA. TO STA.

F.A.U. RTE.	SECTION	COUNTY	TOTAL SHEETS	SHEET NO.
	18-00188-00-RP	TAZEWELL	180	124
			CONTRACT NO.89749	
ILLINOIS FED. AID PROJECT				

NOTES:

- ENTRANCE PAVEMENT SHALL MATCH MAINLINE PAVEMENT SECTION.
- ALL RAIL RELATED ITEMS SHOWN IN THE DETAILS AND SECTIONS REQUIRED FOR THE PROPOSED CROSSING SHALL NOT BE PAID FOR SEPARATELY BUT SHALL BE INCLUDED IN THE COST OF PORTLAND CEMENT CONCRETE RAILROAD CROSSING.



CROSSING #: 9315689
 LOCATION: TAZEWELL COUNTY, CITY OF PEKIN
 LAT/LOG: 40.56355°, -89.65957°
 RAILROAD: TAZEWELL & PEORIA RAILROAD INC. (TZPR)
 STREET: FRONT STREET
 RAILROAD MILEPOST: 9.43
 CROSSING PROTECTION: CROSSBUCKS - EXISTING AND PROPOSED

LAYOUT	BAB	4/29/19
DRAWN	RLA	6/13/19
REVIEWED	MGD	6/13/19

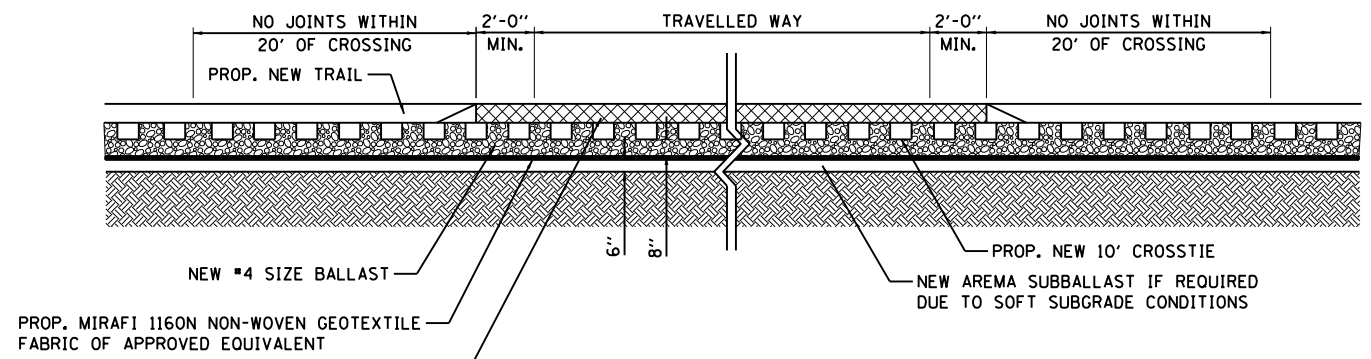
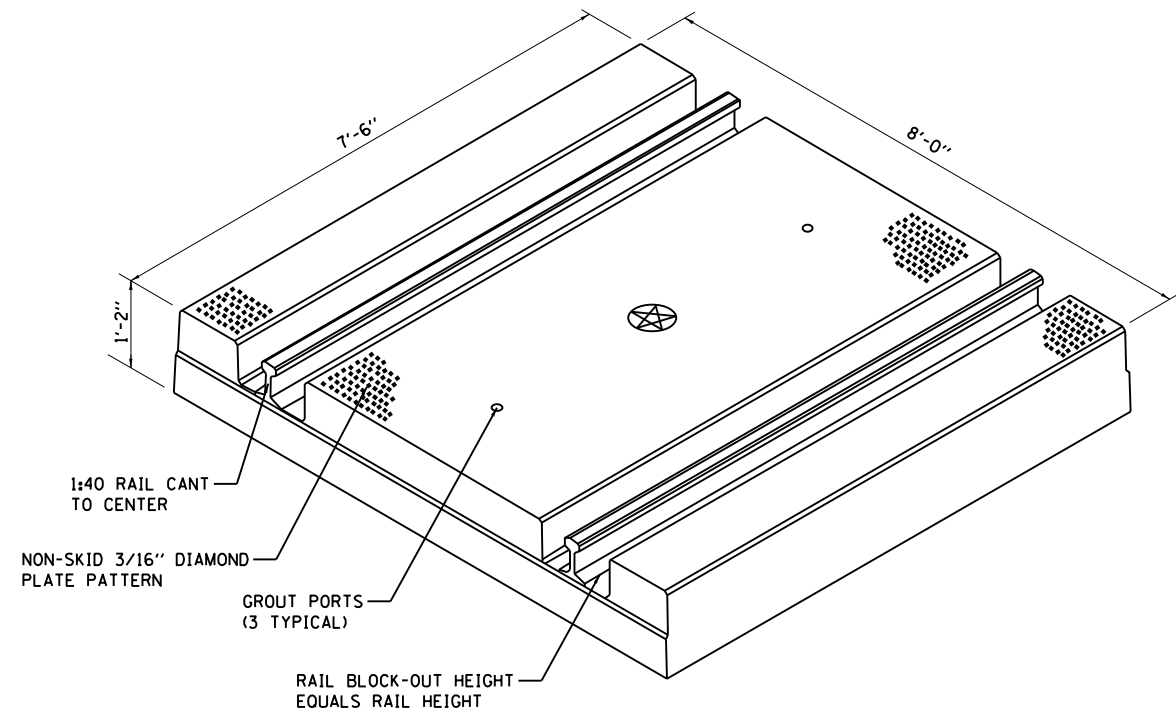
FILE NAME =	I:\12_jobs\12L0052\CAD\Road\Sheet\sh-t-in\det03.dgn	DESIGNED -	BAB	REVISED -	
USER NAME =	Ander00846	DRAWN -	RLA	REVISED -	
PLOT SCALE =	20.0000' / in.	CHECKED -	MGD	REVISED -	
PLOT DATE =	6/17/2019	DATE -	6/20/19	REVISED -	

**STATE OF ILLINOIS
 DEPARTMENT OF TRANSPORTATION**

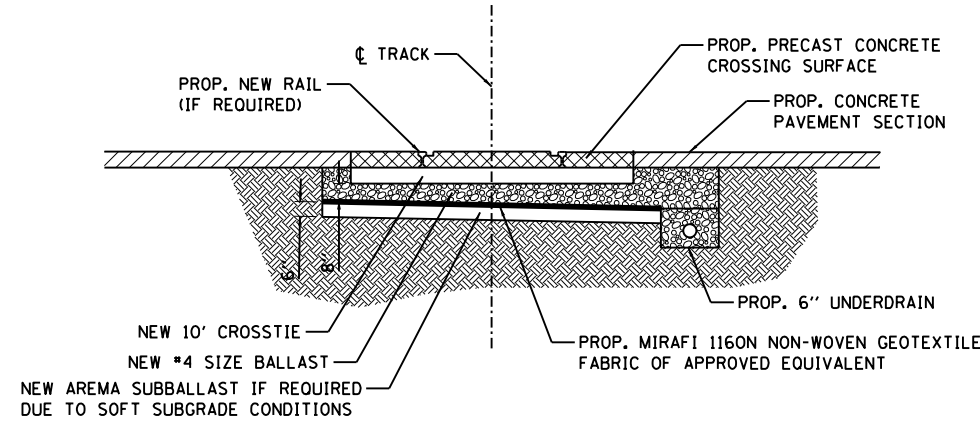
**FRONT STREET /C.H.S. ENTRANCE
 RAILROAD CROSSING DETAIL**

SCALE: 1"=10' SHEET 4 OF 7 SHEETS STA. TO STA.

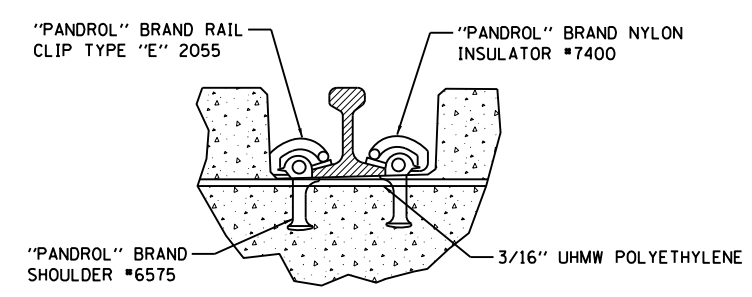
F.A.U. RTE.	SECTION	COUNTY	TOTAL SHEETS	SHEET NO.
	18-00188-00-RP	TAZEWELL	180	125
CONTRACT NO.89749			ILLINOIS FED. AID PROJECT	



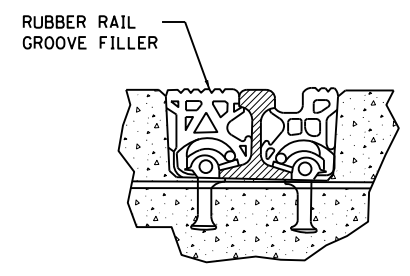
ROADWAY SECTION



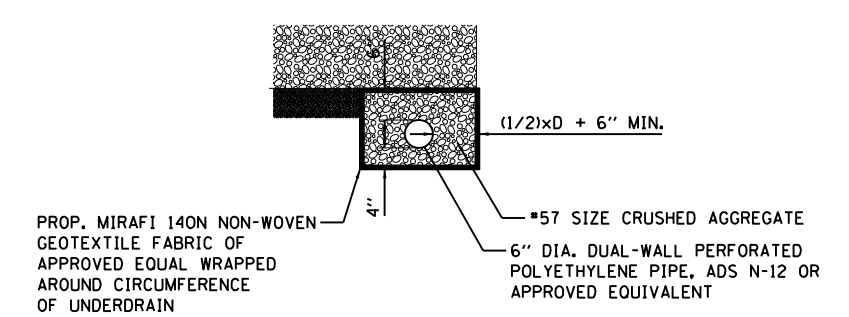
TRACK TYPICAL SECTION



RAIL DETAIL A



RAIL DETAIL B



UNDERDRAIN DETAIL

CONNECT PIPE UNDERDRAIN TO PROPOSED STORM SEWER STRUCTURE. THIS WORK SHALL NOT BE PAID FOR SEPARATELY.

LAYOUT	BAB	4/29/19
DRAWN	RLA	6/13/19
REVIEWED	MGD	6/13/19

FILE NAME = I:\12\jobs\12L0052\CAD\Road\Sheet\shd-005.dgn	USER NAME = Ander00846	DESIGNED - BAB	REVISED -
PLOT SCALE = 10.0000 / in.	CHECKED - MGD	DRAWN - RLA	REVISED -
PLOT DATE = 6/17/2019	DATE - 6/20/19	REVISOR -	REVISED -

**STATE OF ILLINOIS
 DEPARTMENT OF TRANSPORTATION**

**FRONT STREET
 RAILROAD CROSSING DETAIL**

SCALE: N/A SHEET 5 OF 7 SHEETS STA. TO STA.

F.A.U. RTE.	SECTION	COUNTY	TOTAL SHEETS	SHEET NO.
	18-00188-00-RP	TAZEWELL	180	126
CONTRACT NO.89749			ILLINOIS FED. AID PROJECT	

DATE	
BY	
PLAN	
NO.	
NO.	
NO.	
NO.	
NO.	

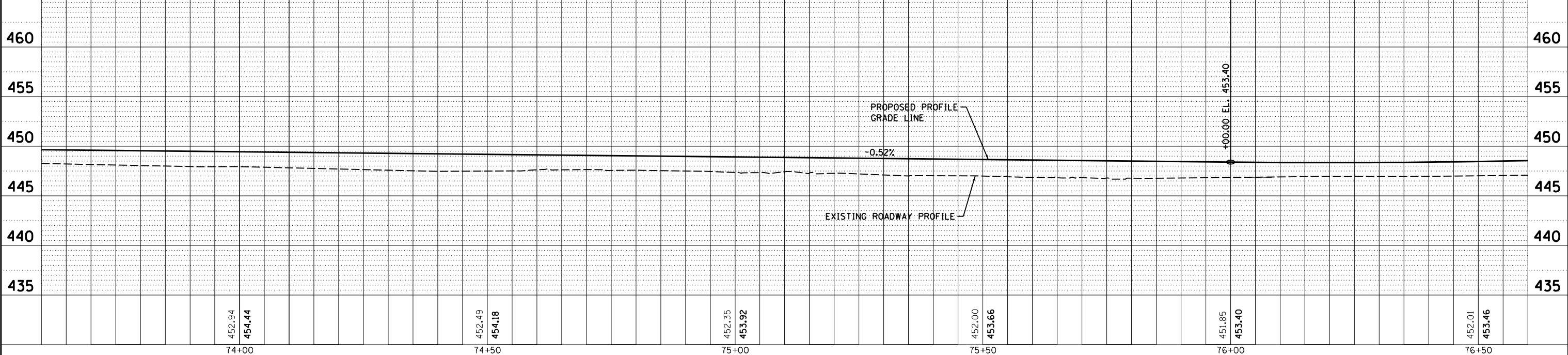
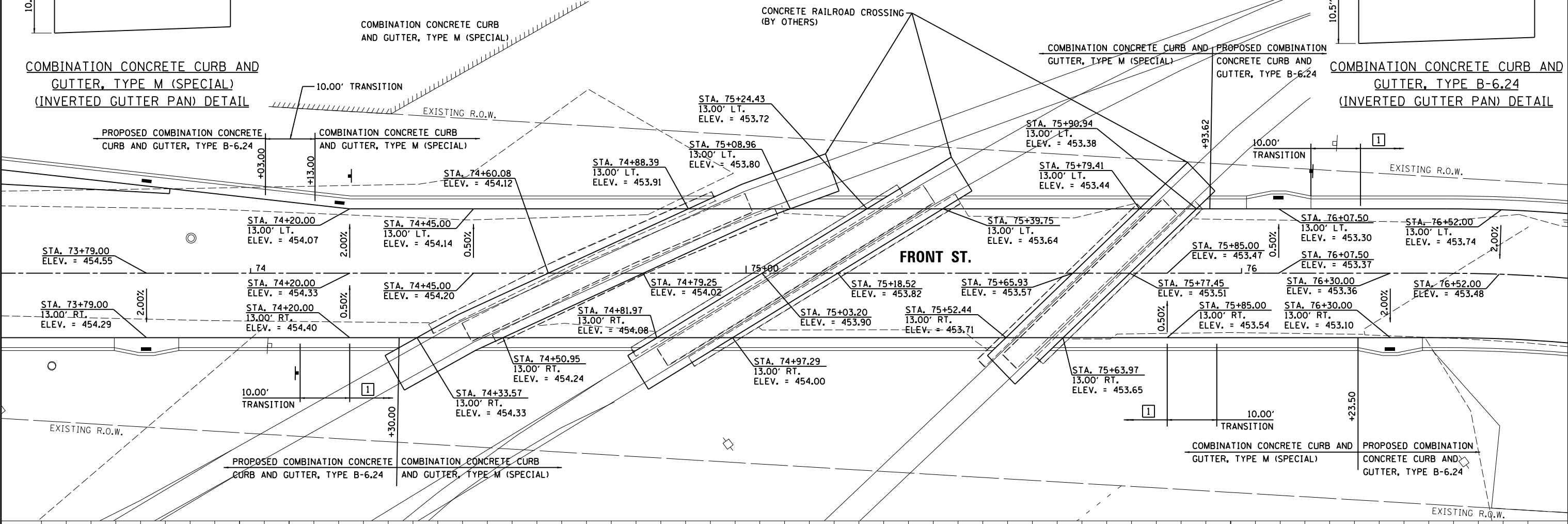
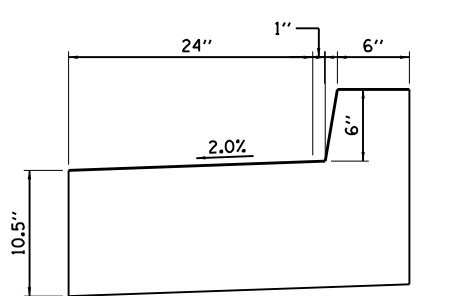
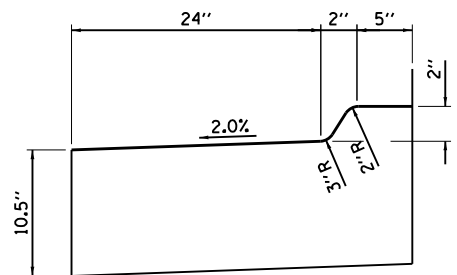
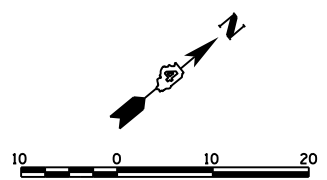


DATE	
BY	
PROFILE	
NO.	
NO.	
NO.	
NO.	
NO.	

BAB	4/29/19
RLA	6/13/19
MGD	6/13/19
LAYOUT	
DRAWN	
REVIEWED	

CROSSING #: 862845X
 LOCATION: TAZEWELL COUNTY, CITY OF PEKIN
 LAT/LOG: 40.5660877°, -89.6567535°
 RAILROAD: TAZEWELL & PEORIA RAILROAD INC. (TZPR)
 STREET: FRONT STREET
 RAILROAD MILEPOST: 9.43
 CROSSING PROTECTION: CROSSBUCKS - EXISTING

- LEGEND**
- 1 INVERTED GUTTER PAN
 - 2 TRANSITION FROM CCC&G B-6.24 TO CCC&G B-6.12



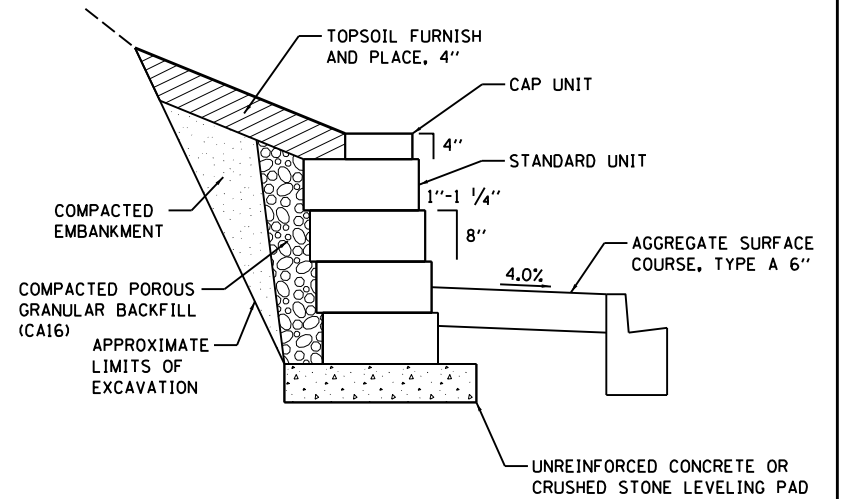
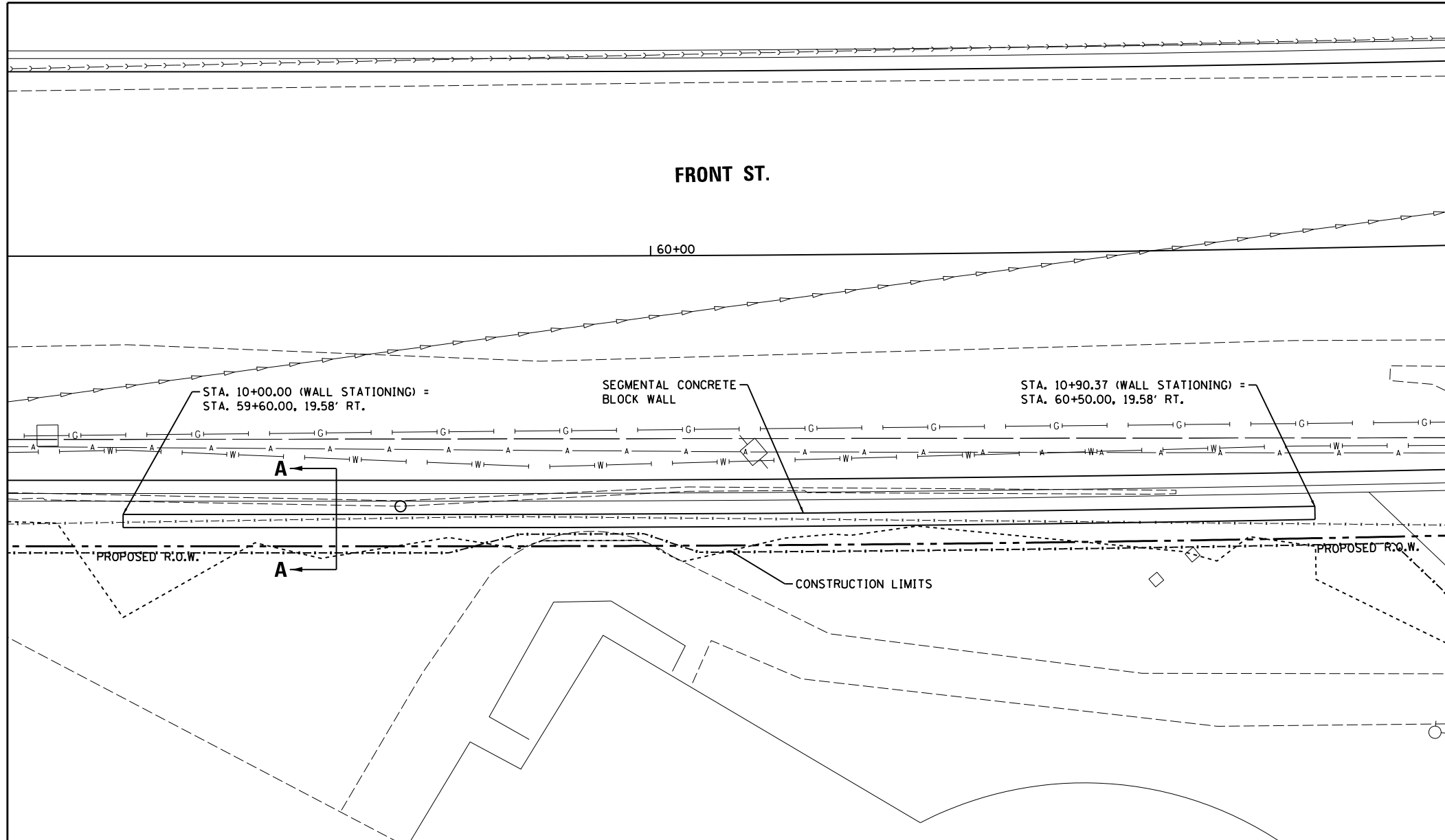
FILE NAME =	USER NAME = Ander00846	DESIGNED - BAB	REVISOR -	STATE OF ILLINOIS DEPARTMENT OF TRANSPORTATION	FRONT STREET RAILROAD CROSSING DETAIL		F.A. RTE.	SECTION	COUNTY	TOTAL SHEETS	SHEET NO.
I:\12\jobs\12\0052\CAD\Road\Sheet\sh-t-det04.dgn		DRAWN - RLA	REVISED -		18-00188-00-RP	TAZEWELL	180	127			
PLOT SCALE = 20.0000' / in.		CHECKED - MGD	REVISED -		CONTRACT NO.89749						
PLOT DATE = 6/17/2019		DATE - 6/20/19	REVISED -		ILLINOIS FED. AID PROJECT						

DATE	
BY	
PLANNED	
NOTED	
CHECKED	
FILE NAME	

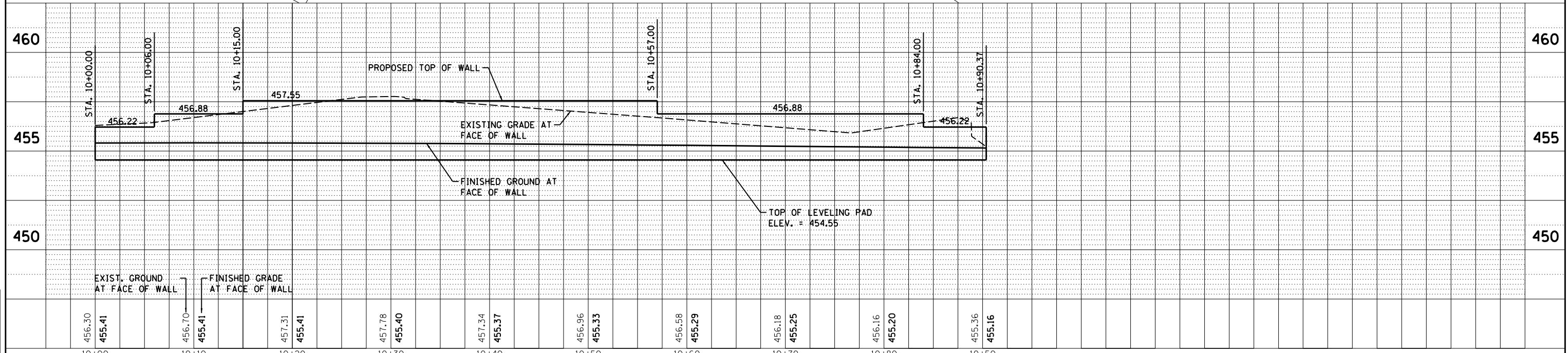
© Copyright Hanson Professional Services Inc. 2019
HANSON
 Hanson Professional Services Inc.

DATE	
BY	
PROFILING	
NOTED	
CHECKED	
FILE NAME	

DATE	4/29/19
BY	BAB
PLANNED	6/13/19
NOTED	6/13/19
CHECKED	RLA
FILE NAME	



SECTION A-A
SEGMENTAL CONCRETE
BLOCK WALL SECTION



FILE NAME =	USER NAME = Ander00846	DESIGNED -	BAB	REVISED -	
I:\12jobs\12L0052\CAD\Road\Sheet\shd-deta\wall101.dgn		DRAWN -	RLA	REVISED -	
PLOT SCALE = 10.0000' / in.		CHECKED -	MGD	REVISED -	
PLOT DATE = 6/17/2019		DATE -	6/20/19	REVISED -	

STATE OF ILLINOIS
DEPARTMENT OF TRANSPORTATION

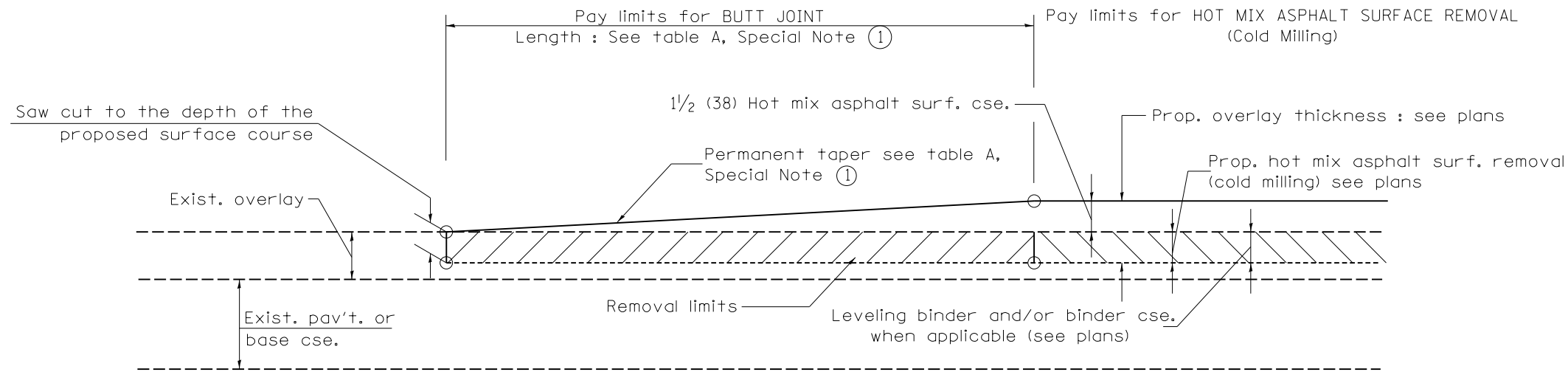
FRONT STREET
SEGMENTAL CONCRETE BLOCK WALL LAYOUT

SCALE: 1"=5'

SHEET 7 OF 7 SHEETS

STA. TO STA.

F.A. RTE.	SECTION	COUNTY	TOTAL SHEETS	SHEET NO.
	18-00188-00-RP	TAZEWELL	180	128
CONTRACT NO.89749			ILLINOIS FED. AID PROJECT	



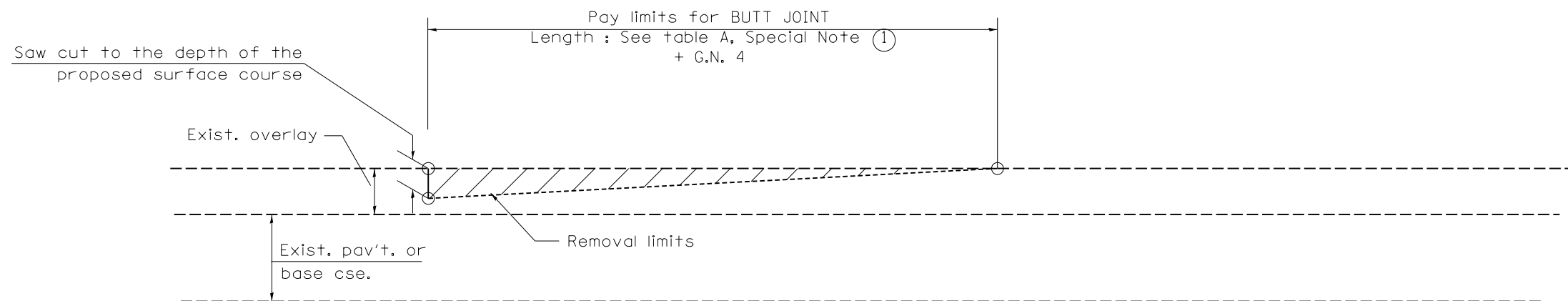
CASE 1 : WITH HOT MIX ASPHALT SURFACE REMOVAL (COLD MILLING)

TABLE A
TAPER RATES

SPECIAL NOTE NUMBER	ELEMENT	MAINLINE INTERSTATES & 4-LANE EXPRESSWAYS	ALL OTHERS
①	BUTT JOINT TAPER RATE	1:480	1:240
②	TEMPORARY RAMP TAPER RATE	1:80	1:40

GENERAL NOTES

1. The work shall be done in accordance with Article 406.08 and the Special Provision for Butt Joints.
2. The pavement surface to be removed may be either bituminous or P.C. concrete. The work shall be performed in accordance with Article 440.04 and the Special Provisions for Butt Joints.
3. The saw cut joints shall be primed just prior to the placing of bituminous material. The work will be in accordance with the applicable portions of Article 406.05.
4. The length of butt joint is based on the taper rate times change in cold milling depth within the butt joint pay limits, unless otherwise indicated.
5. Temporary ramps are paid for separately and not included in the cost of the butt joints.



CASE 2 : NO HOT MIX ASPHALT SURFACE REMOVAL (COLD MILLING)

LAYOUT	BAB	4/29/19
DRAWN	RLA	6/13/19
REVIEWED	MGD	6/13/19

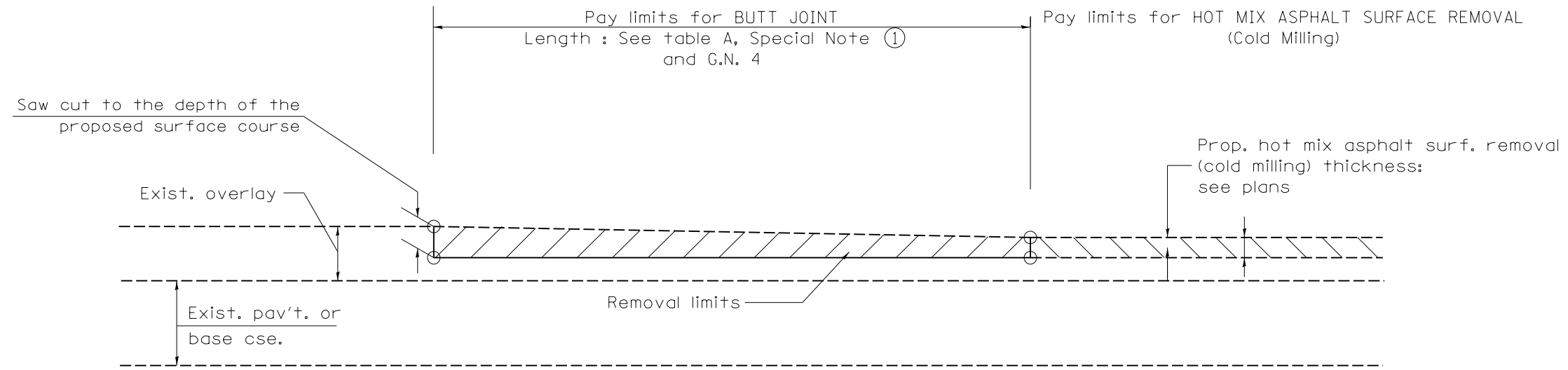
FILE NAME =	I:\12_jobs\12L0052\CAD\Road\Sheet\sh-t-standard01.dgn	DESIGNED -	BAB	REVISED -	
USER NAME =	Ander00846	DRAWN -	RLA	REVISED -	
PLOT SCALE =	10.0000" / in.	CHECKED -	MGD	REVISED -	
PLOT DATE =	6/17/2019	DATE -	6/20/19	REVISED -	

STATE OF ILLINOIS
DEPARTMENT OF TRANSPORTATION

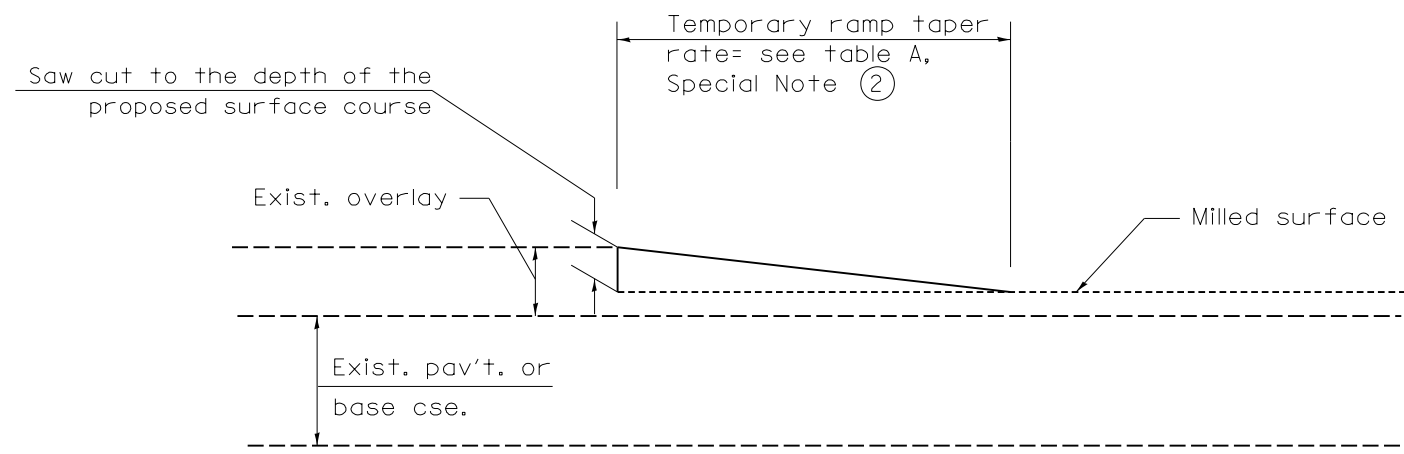
BUTT JOINT
CADD STD. 406101-D4

SCALE: N/A SHEET 1 OF 9 SHEETS STA. TO STA.

F.A.U. RTE.	SECTION	COUNTY	TOTAL SHEETS	SHEET NO.
	18-00188-00-RP	TAZEWELL	180	129
CONTRACT NO.89749				
ILLINOIS FED. AID PROJECT				



**CASE 3 : HOT MIX ASPHALT SURFACE REMOVAL (COLD MILLING)
TIE-IN TO EXISTING BITUMINOUS TAPER**



DETAIL TEMPORARY RAMP

LAYOUT	BAB	4/29/19
DRAWN	RLA	6/13/19
REVIEWED	MGD	6/13/19

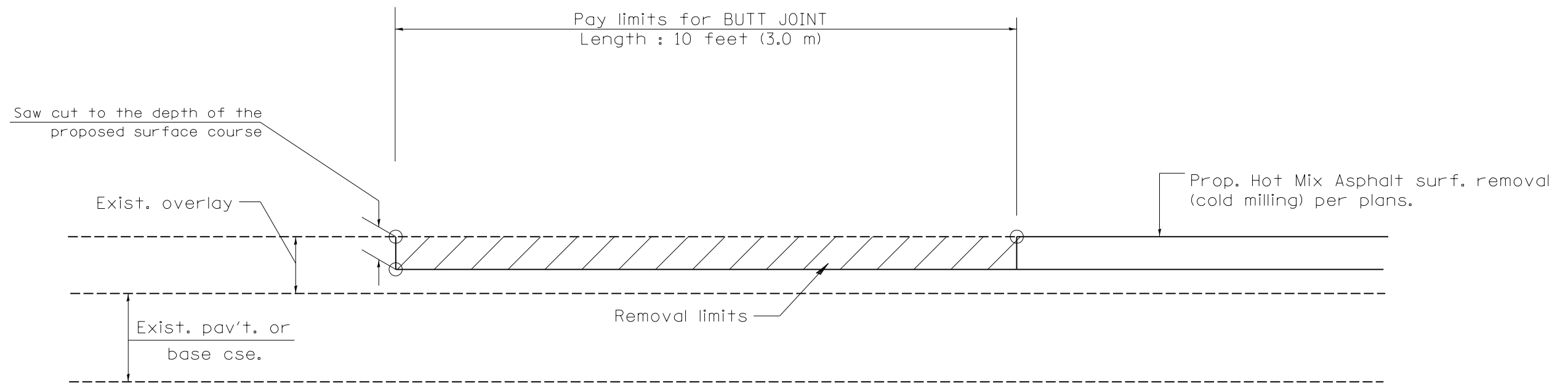
FILE NAME =	I:\12_jobs\12L0052\CAD\Road\Sheet\sh-t-standard02.dgn	DESIGNED -	BAB	REVISED -	
USER NAME =	Ander00846	DRAWN -	RLA	REVISED -	
PLOT SCALE =	10.0000' / in.	CHECKED -	MGD	REVISED -	
PLOT DATE =	6/17/2019	DATE -	6/20/19	REVISED -	

**STATE OF ILLINOIS
DEPARTMENT OF TRANSPORTATION**

**BUTT JOINT
CADD STD. 406101-D4**

SCALE: N/A SHEET 2 OF 9 SHEETS STA. TO STA.

F.A.U. RTE.	SECTION	COUNTY	TOTAL SHEETS	SHEET NO.
	18-00188-00-RP	TAZEWELL	180	130
CONTRACT NO.89749				
ILLINOIS FED. AID PROJECT				



CASE 4 : SINGLE LIFT OVERLAY WITH EQUIVALENT DEPTH
HOT MIX ASPHALT SURFACE REMOVAL (COLD MILLING)
TIE-IN TO EXISTING BITUMINOUS TAPER

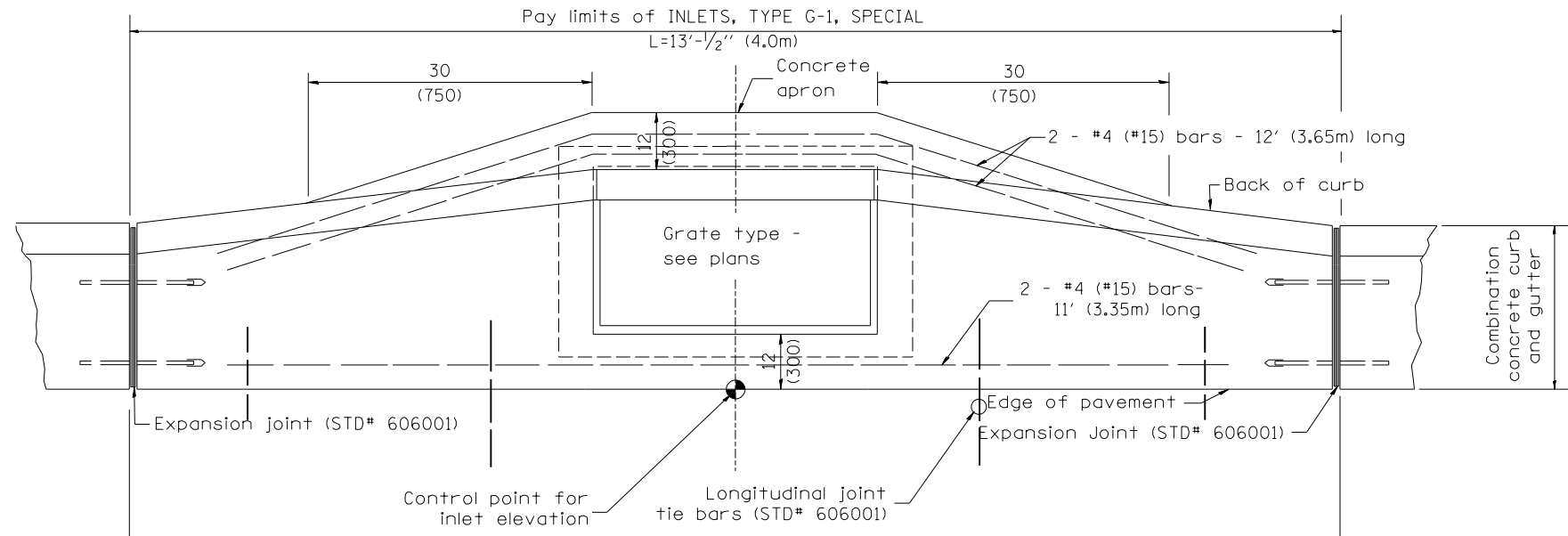
LAYOUT	BAB	4/29/19
DRAWN	RLA	6/13/19
REVIEWED	MGD	6/13/19

FILE NAME =	I:\12_jobs\12L0052\CAD\Road\Sheet\sh-t-standard03.dgn	DESIGNED -	BAB	REVISED -	
USER NAME =	Ander00846	DRAWN -	RLA	REVISED -	
PLOT SCALE =	10.0000' / in.	CHECKED -	MGD	REVISED -	
PLOT DATE =	6/17/2019	DATE -	6/20/19	REVISED -	

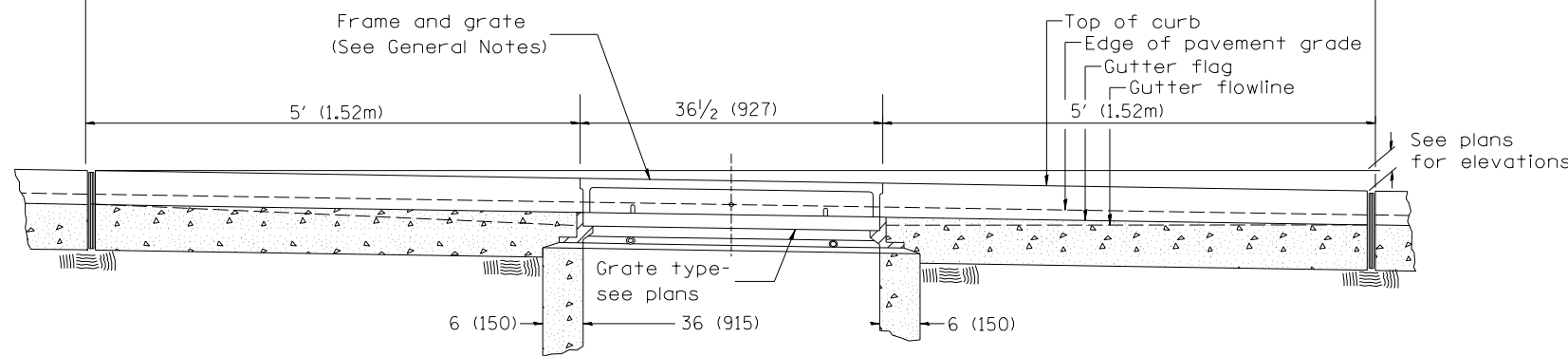
**STATE OF ILLINOIS
DEPARTMENT OF TRANSPORTATION**

BUTT JOINT	
CADD STD. 406101-D4	
SCALE: N/A	SHEET 3 OF 9 SHEETS STA. TO STA.

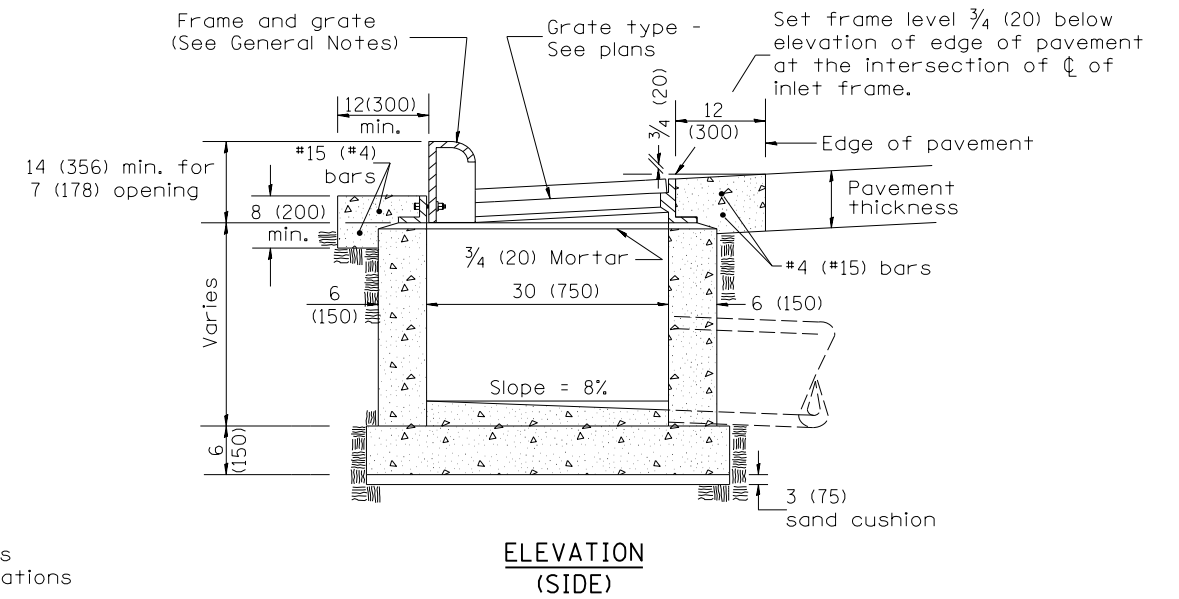
F.A.U. RTE.	SECTION	COUNTY	TOTAL SHEETS	SHEET NO.
	18-00188-00-RP	TAZEWELL	180	131
CONTRACT NO.89749				
ILLINOIS FED. AID PROJECT				



PLAN



ELEVATION (FRONT)



ELEVATION (SIDE)

GENERAL NOTES

1. Inlet construction shall be in accordance with Section 602 of the Standard Specifications.
2. Combination Concrete Curb and Gutter shall be constructed in accordance with Section 606 of the Standard Specifications.
3. See District CADD Standard 604001-D4 for frame and grates.

LAYOUT	BAB	4/29/19
DRAWN	RLA	6/13/19
REVIEWED	MGD	6/13/19

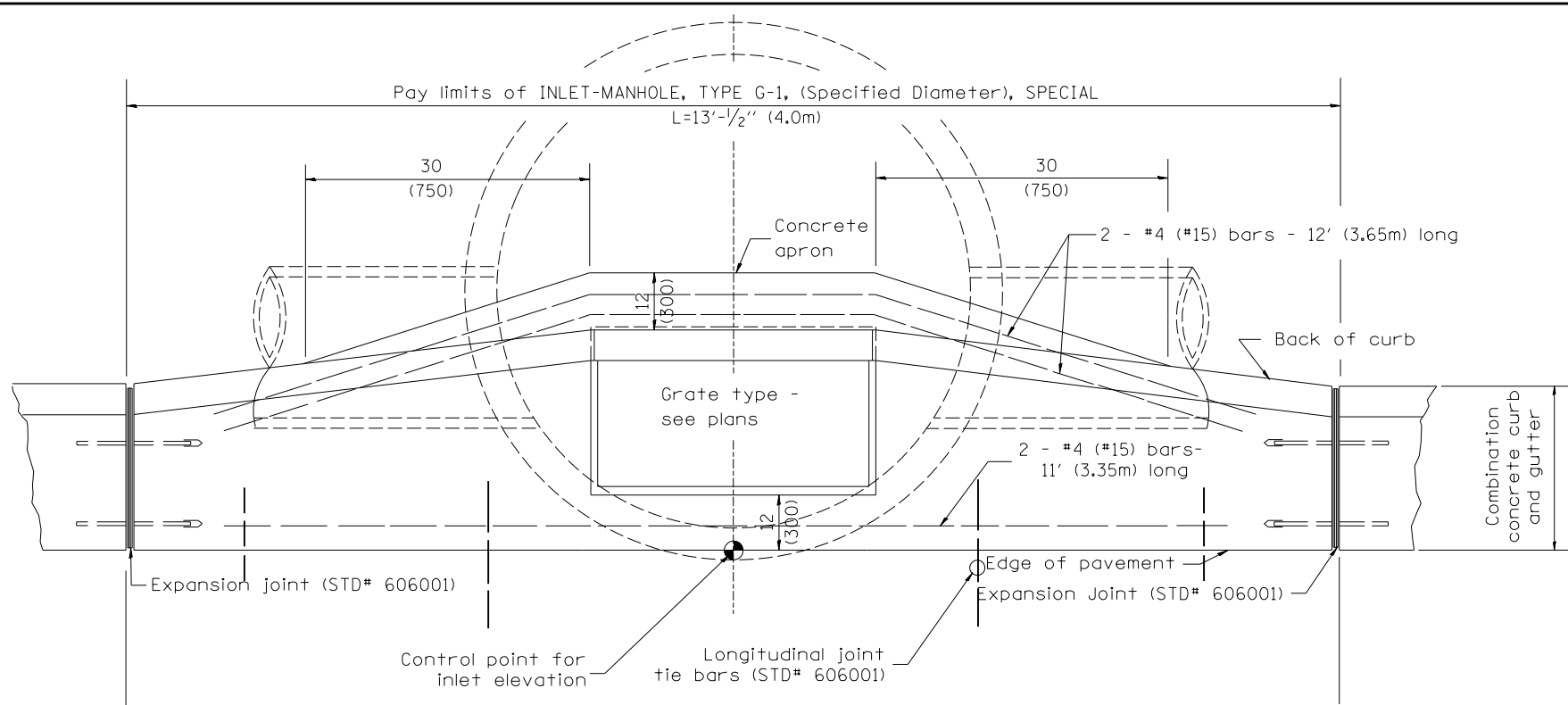
FILE NAME =	USER NAME = Ander00846	DESIGNED - BAB	REVISED -
I:\12jobs\12L0052\CAD\Road\Sheet\sh-std005.dgn		DRAWN - RLA	REVISED -
PLOT SCALE = 10.0000 ' / in.		CHECKED - MGD	REVISED -
Default		DATE - 6/20/19	REVISED -

**STATE OF ILLINOIS
DEPARTMENT OF TRANSPORTATION**

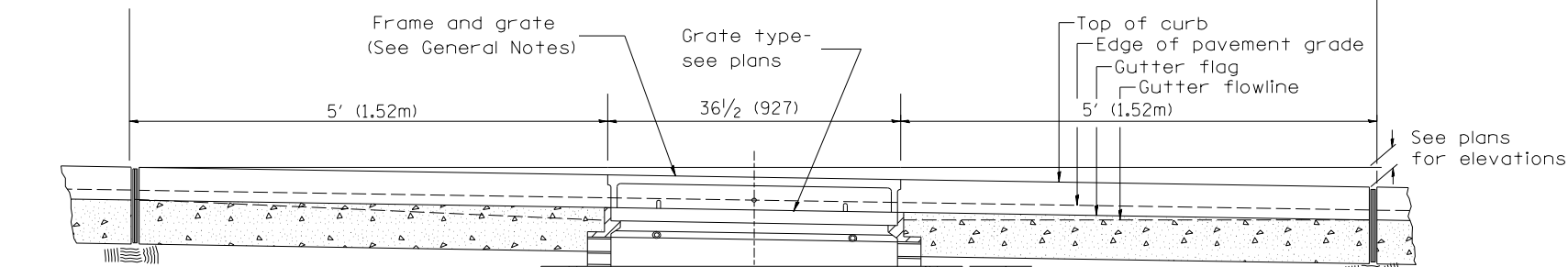
**INLETS, TYPE G-1, SPECIAL
CADD STD. 602006-D4**

SCALE: N/A SHEET 4 OF 9 SHEETS STA. TO STA.

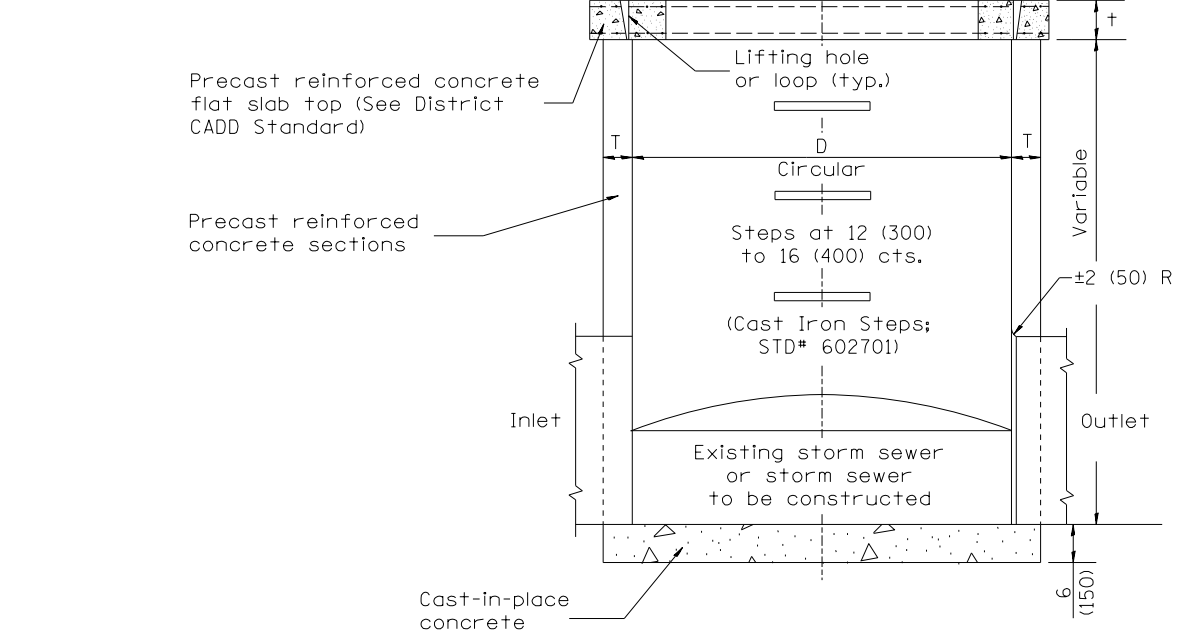
F.A.U. RTE.	SECTION	COUNTY	TOTAL SHEETS	SHEET NO.
	18-00188-00-RP	TAZEWELL	180	132
CONTRACT NO.89749				
ILLINOIS FED. AID PROJECT				



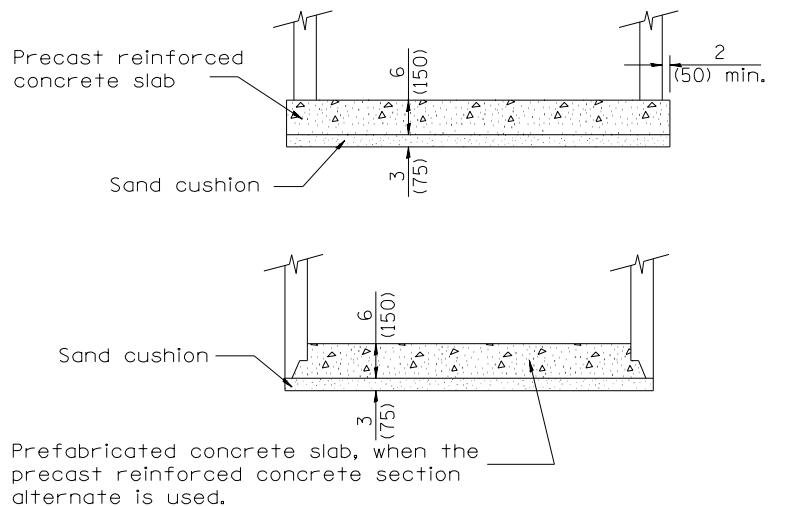
PLAN



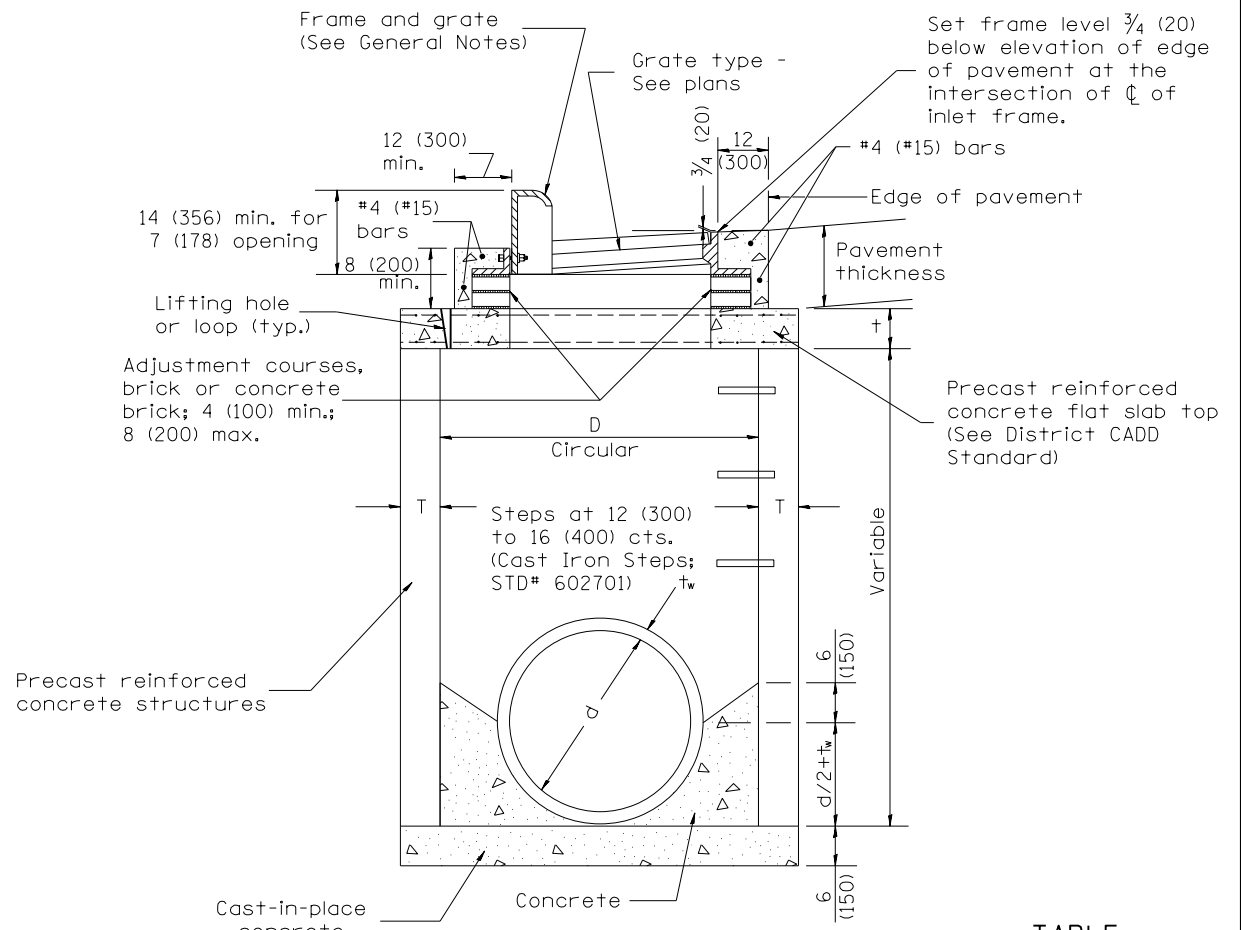
ELEVATION (SIDE)



ELEVATION (FRONT)



ALTERNATE BOTTOM SLAB



ELEVATION (SIDE)

TABLE

D	T	†
4' (1.2m)	5 (125)	6 (150)
5' (1.5m)	6 (150)	8 (200)
6' (1.8m)	7 3/4 (195)	8 (200)
8' (2.4m)	9 (225)	10 (250)

GENERAL NOTES

1. Inlet-manhole construction shall be in accordance with Section 602 of the Standard Specifications.
2. Combination concrete curb and gutter shall be constructed in accordance with Section 606 of the Standard Specifications.
3. See District CADD Standard 604001-D4 for frame and grates.
4. See District CADD Standard for precast reinforced concrete flat slab top.

LAYOUT	4/29/19
DRAWN	6/13/19
REVIEWED	6/13/19

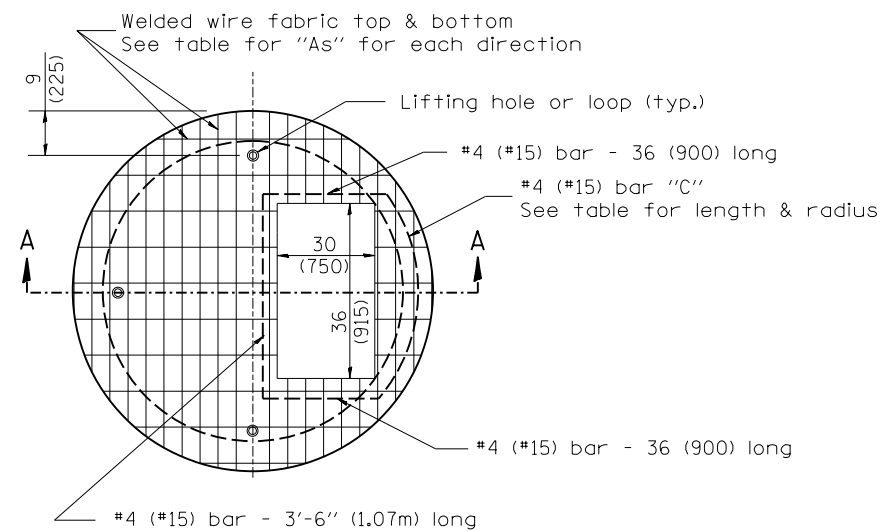
FILE NAME =	USER NAME = Ander00846	DESIGNED - BAB	REVISED -
I:\12\jobs\12L0052\CAD\Road\Sheet\sh-t-standard06.dgn		DRAWN - RLA	REVISED -
PLOT SCALE = 10.0000 "/in.		CHECKED - MGD	REVISED -
Default	PLOT DATE = 6/17/2019	DATE - 6/20/19	REVISED -

STATE OF ILLINOIS
DEPARTMENT OF TRANSPORTATION

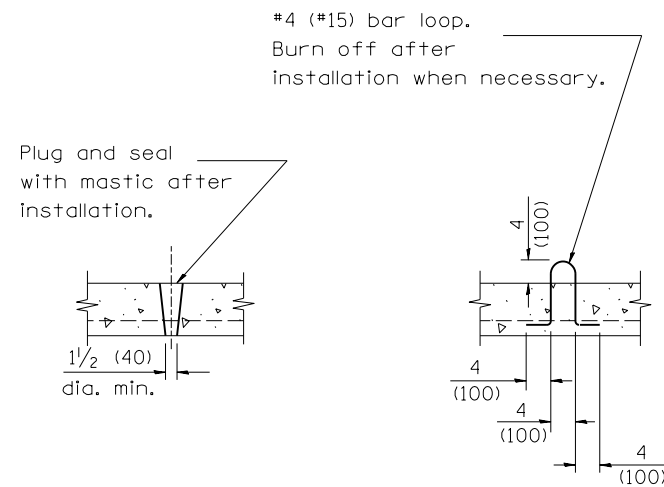
INLET-MANHOLE, TYPE G-1, SPECIAL
CADD STD. 602026-D4

SCALE: N/A SHEET 5 OF 9 SHEETS STA. TO STA.

F.A.U. RTE.	SECTION	COUNTY	TOTAL SHEETS	SHEET NO.
	18-00188-00-RP	TAZEWELL	180	133
CONTRACT NO.89749			ILLINOIS FED. AID PROJECT	

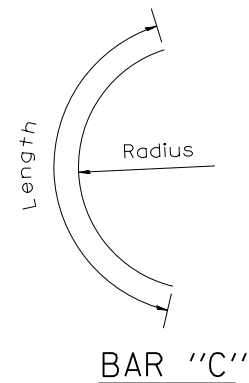


PLAN



LIFTING HOLE OR LIFTING LOOP
TYPICAL

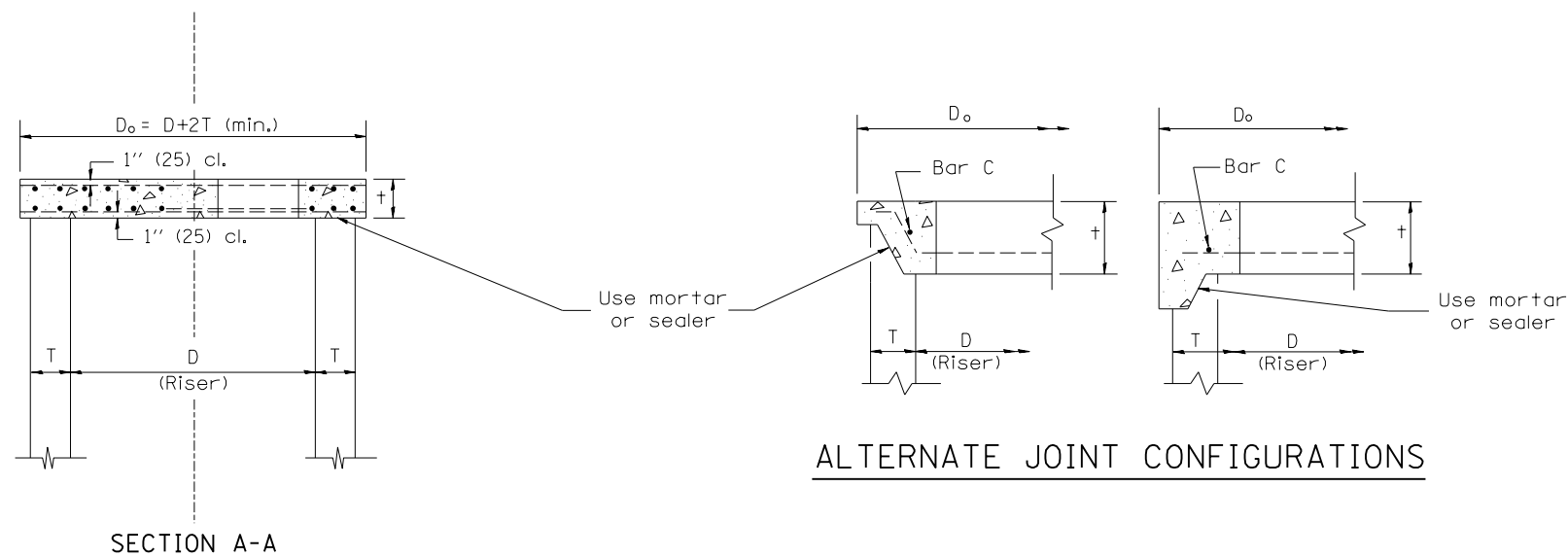
(3 required per slab)



BAR "C"

TABLE

D	T	D _o (min.)	t	Reinforcement "As" W.W.F. each direction	Bar size	No. 15 (No. 4) Bar C	
						Length	Radius
4' (1.2m)	5 (125)	4'-10" (1.5m)	6 (150)	0.70 sq. inch/lin. ft. (1480mm ² /m)	No. 15 (No. 5)	1.35m (4'-6")	660 (26)
5' (1.5m)	6 (150)	6'-0" (1.8m)	8 (200)	0.70 sq. inch/lin. ft. (1480mm ² /m)	No. 15 (No. 5)	1.5m (5'-0")	810 (32)
6' (1.8m)	7 3/4 (195)	7'-3 1/2" (2.2m)	8 (200)	0.88 sq. inch/lin. ft. (1860mm ² /m)	No. 20 (No. 6)	1.8m (6'-0")	965 (38)
8' (2.4m)	9 (225)	9'-6" (2.9m)	10 (250)	0.88 sq. inch/lin. ft. (1860mm ² /m)	No. 20 (No. 6)	2.3m (7'-6")	1.27m (4'-2")



GENERAL NOTES

1. The precast reinforced concrete flat slab top shall be used with INLET-MANHOLE, TYPE G-1 and INLET-MANHOLE, TYPE G-1, SPECIAL.
2. Joint configuration and dimensions of flat slab top shall match and fit the riser joint detail.
3. Lifting devices shall be approved by the Engineer.

LAYOUT	BAB	4/29/19
DRAWN	RLA	6/13/19
REVIEWED	MGD	6/13/19

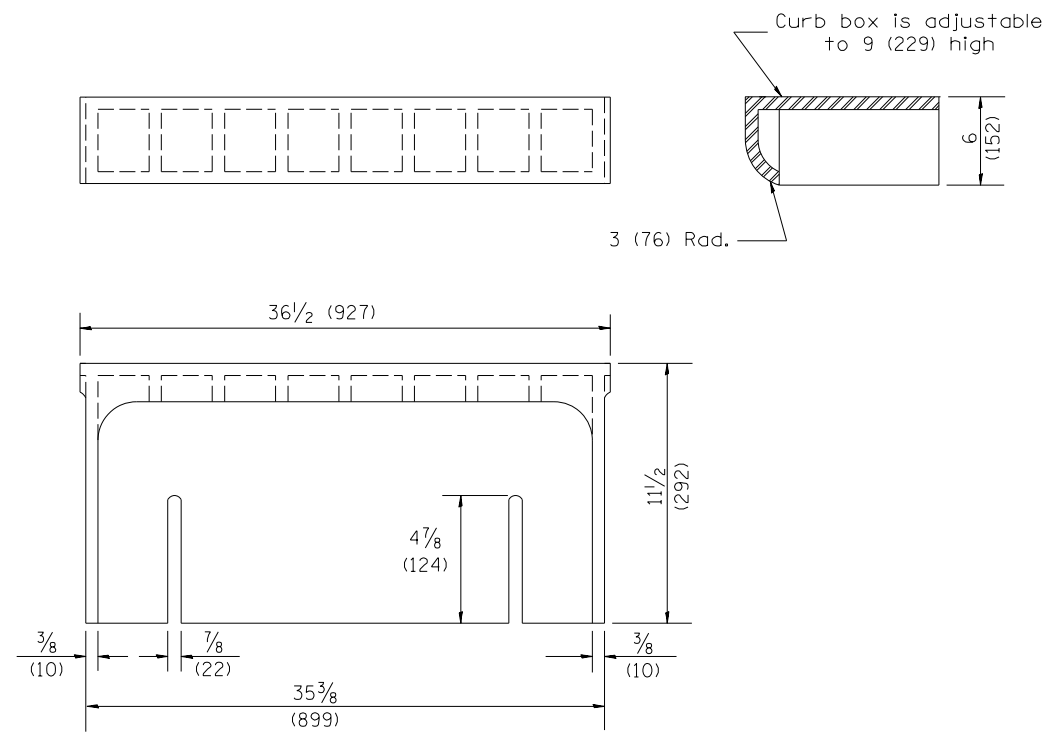
FILE NAME =	I:\12jobs\12L0052\CAD\Road\Sheet\sh-standar07.dgn	DESIGNED -	BAB	REVISED -	
USER NAME =	Ander00846	DRAWN -	RLA	REVISED -	
PLOT SCALE =	10.0000 "/ in.	CHECKED -	MGD	REVISED -	
PLOT DATE =	6/17/2019	DATE -	6/20/19	REVISED -	

STATE OF ILLINOIS
DEPARTMENT OF TRANSPORTATION

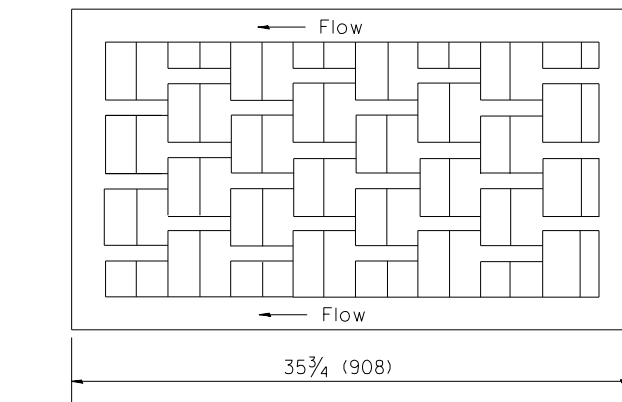
PRECAST REINFORCED CONCRETE FLAT SLAB TOP FOR INLET-MANHOLE,
TYPE G-1 AND TYPE G-1, SPECIAL (CADD STD. 602101-D4)

SCALE: N/A SHEET 6 OF 9 SHEETS STA. TO STA.

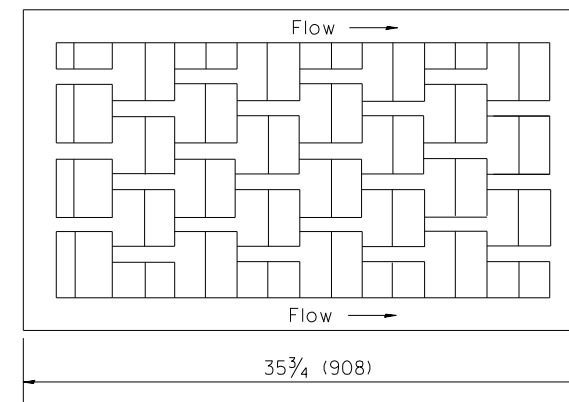
F.A.U. RTE.	SECTION	COUNTY	TOTAL SHEETS	SHEET NO.
	18-00188-00-RP	TAZEWELL	180	134
CONTRACT NO.89749			ILLINOIS FED. AID PROJECT	



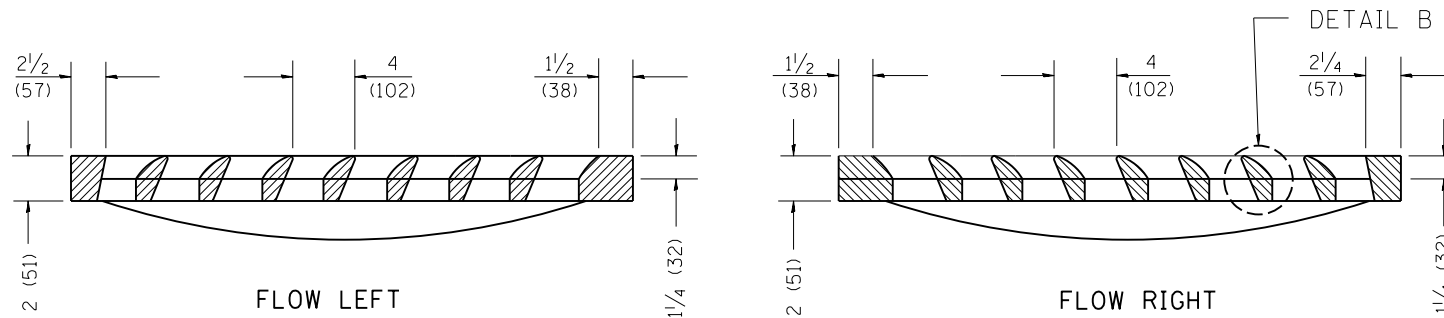
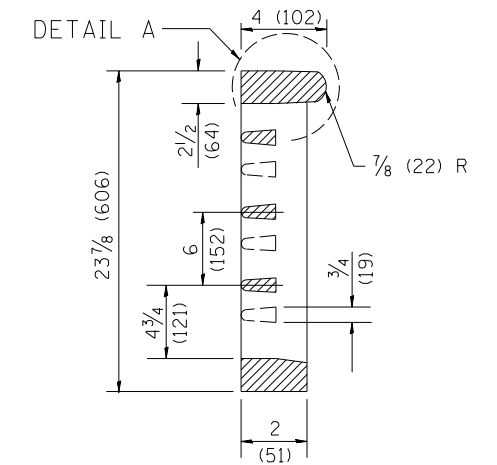
CAST CURB BOX
110 lbs. (50 kg)



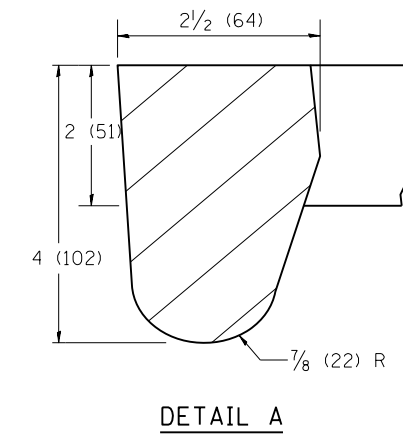
FLOW LEFT



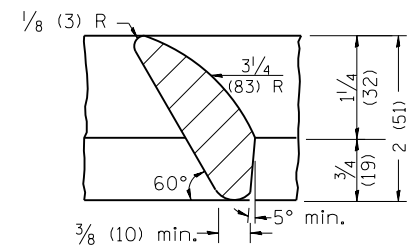
FLOW RIGHT



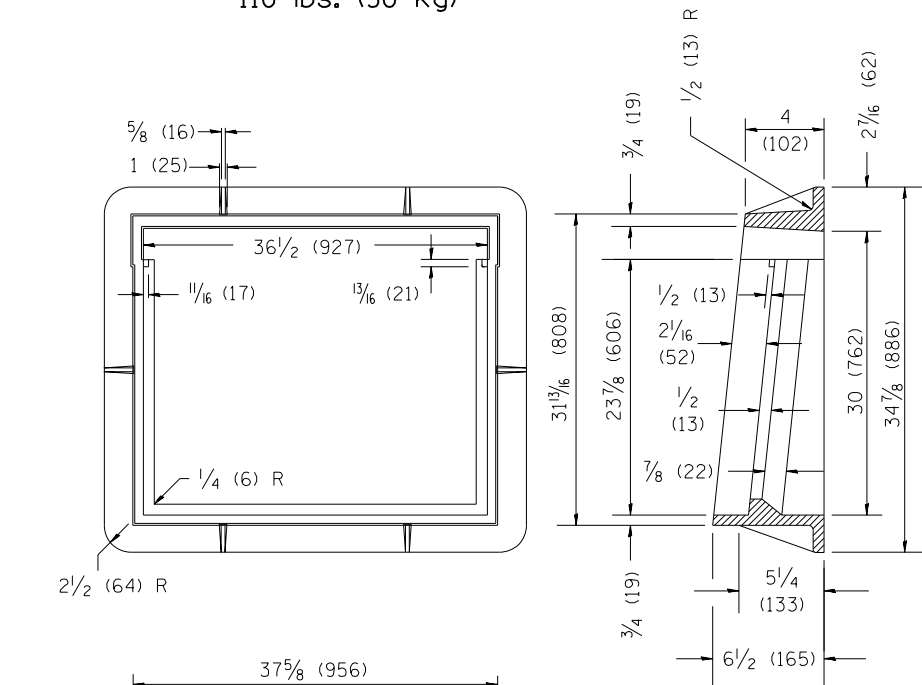
CAST VANE GRATES
(SPECIFY LEFT OR RIGHT FLOW)
230 lbs. (104 KG)



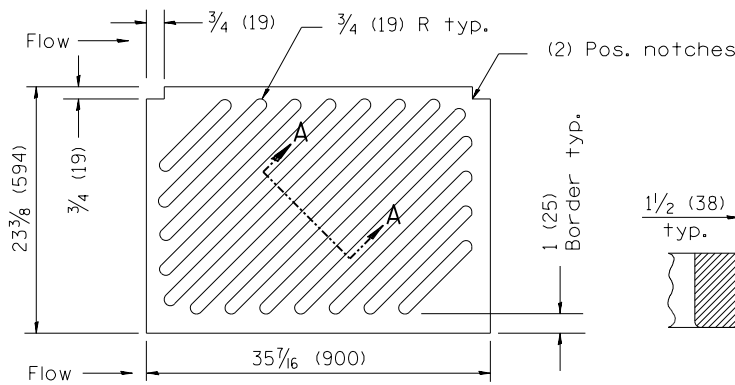
DETAIL A



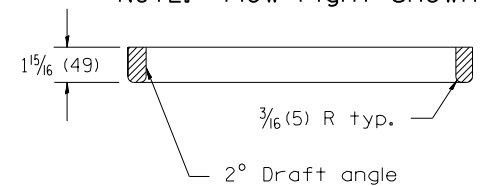
DETAIL B



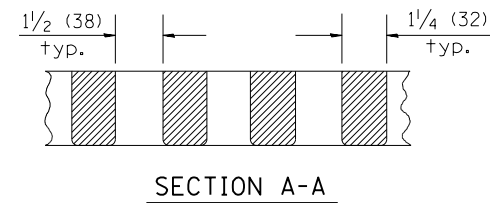
CAST FRAME
271 lbs. (123 kg)



NOTE: Flow right shown



CAST DIAGONAL GRATE
(Reversible for flow)
217 lbs. (98 kg)



SECTION A-A

GENERAL NOTES

1. The frame and grate shown on this drawing are for use with all TYPE G-1 and TYPE G-1, SPECIAL DRAINAGE STRUCTURES. See plans for grate type and flow direction.
2. Flow direction: As viewed from street side.
3. Material: cast gray iron.

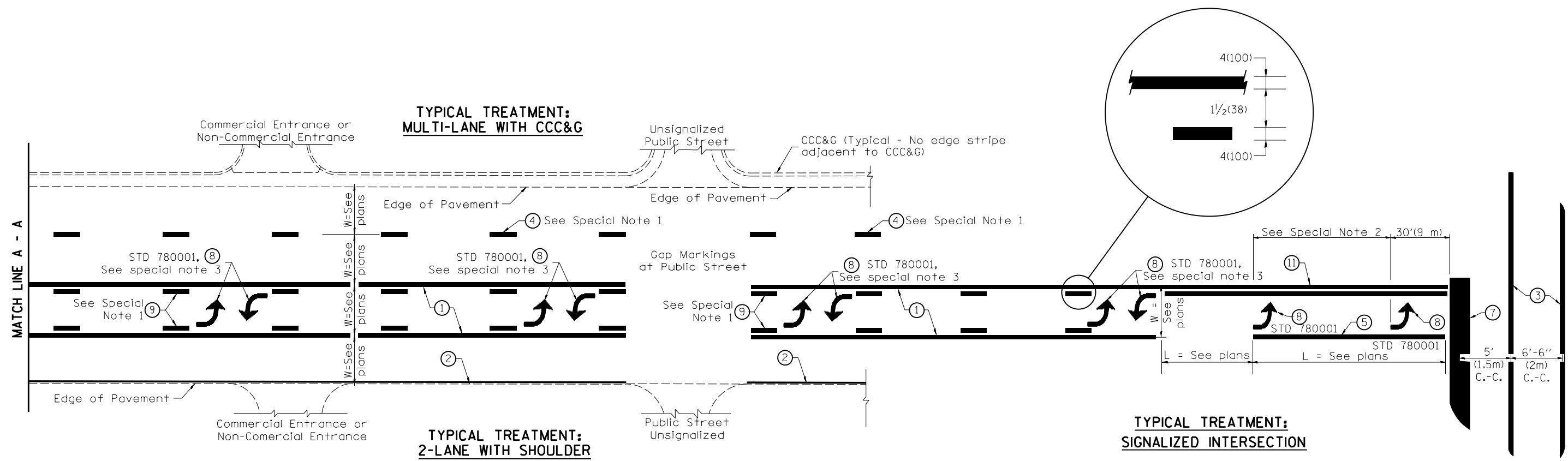
LAYOUT	4/29/19
DRAWN	6/13/19
REVIEWED	6/13/19
MD	

FILE NAME =	I:\12\jobs\12L0052\CAD\Road\Sheet\sh-t-standard.dgn	DESIGNED -	BAB	REVISIONS -	
USER NAME =	Ander00846	DRAWN -	RLA	REVISIONS -	
PLOT SCALE =	10.0000 "/td> <td>CHECKED -</td> <td>MGD</td> <td>REVISIONS -</td> <td></td>	CHECKED -	MGD	REVISIONS -	
PLOT DATE =	6/17/2019	DATE -	6/20/19	REVISIONS -	

STATE OF ILLINOIS
DEPARTMENT OF TRANSPORTATION

FRAME & GRATES FOR TYPE G-1 AND TYPE G-1, SPECIAL DRAINAGE STRUCTURES (CADD STD. 604001-D4)			
SCALE: N/A	SHEET 7 OF 9 SHEETS	STA.	TO STA.

F.A.U. RTE.	SECTION	COUNTY	TOTAL SHEETS	SHEET NO.
	18-00188-00-RP	TAZEWELL	180	135
CONTRACT NO.89749				
ILLINOIS FED. AID PROJECT				



FLUSH PAVED MEDIAN: TWO-WAY LEFT TURN LANE WITH ONE-WAY LEFT TURN LANE AT SIGNALIZED INTERSECTION

TYPICAL PAVEMENT MARKING LEGEND

(Note: This is a District Standard Legend. Some elements may not apply to specific project.)

- ① 4(100) Solid (Yellow)
- ② 4(100) Solid (White)
- ③ 2-6(150) Crosswalk @ 6'-6" (2m)min C.-C. (White)
2-8(200) Crosswalk @ 6'-6" (2m)min C.-C. (White) (When traffic signals are present.)
- ④ 6(150) Skip-Dash (White) (See Special Note 1)
- ⑤ 8(200) Solid (White)
- ⑥ 12(300) Diagonal (White) (Item ⑥ is shown on Std. 780001)
- ⑦ 24(600) Stop Bar (White)
- ⑧ Letters & Arrows (See Std. 780001 and Special Notes 2 & 3)
- ⑨ 4(100) Skip-Dash (Yellow) (See Special Note 1)
- ⑩ 12(300) Diagonal (Yellow) (See Table A) (See Table A)
- ⑪ 4(100) Double Solid (Yellow) (See Table A)

SPECIAL NOTES

1. Skip-Dash markings will be centered between both ends of city blocks and shall be placed in alignment transversely across the pavement.
2. The following shall apply to arrows located in one-way left turn lanes:
 - A. A minimum of two (2) arrows is required.
 - B. The maximum spacing between arrows is 80' (24 m).
 - C. Arrows shall be evenly spaced if three (3) or more are required.
3. The following shall apply to arrow pairs located in two-way left turn lanes:
 - A. A minimum of two (2) arrow pairs is required.
 - B. The maximum spacing between arrow pairs is 200' (61 m).
 - C. Arrow pairs shall be evenly spaced if three (3) or more are required.
 - D. The spacing between Bi Directional Left Turn Arrows is 33' (10 m).

GENERAL NOTES

1. Refer to State Standard 780001 for additional Pavement Markings including letters & arrows.
2. See Plans for Pavement Markings adjacent to curbed islands and medians, and through lane reductions.

LAYOUT	4/29/19
DRAWN	6/13/19
REVIEWED	6/13/19
BAB	
RLA	
MGD	

FILE NAME =	I:\12\jobs\12L0052\CAD\Road\Sheet\sh-t-standard09.dgn	DESIGNED -	BAB	REVISED -	
USER NAME =	Ander00846	DRAWN -	RLA	REVISED -	
PLOT SCALE =	10.0000' / in.	CHECKED -	MGD	REVISED -	
PLOT DATE =	6/17/2019	DATE -	6/20/19	REVISED -	

**STATE OF ILLINOIS
DEPARTMENT OF TRANSPORTATION**

**TYPICAL PAVEMENT MARKINGS
CADD STD. 780001-D4**

SCALE: N/A SHEET 8 OF 9 SHEETS STA. TO STA.

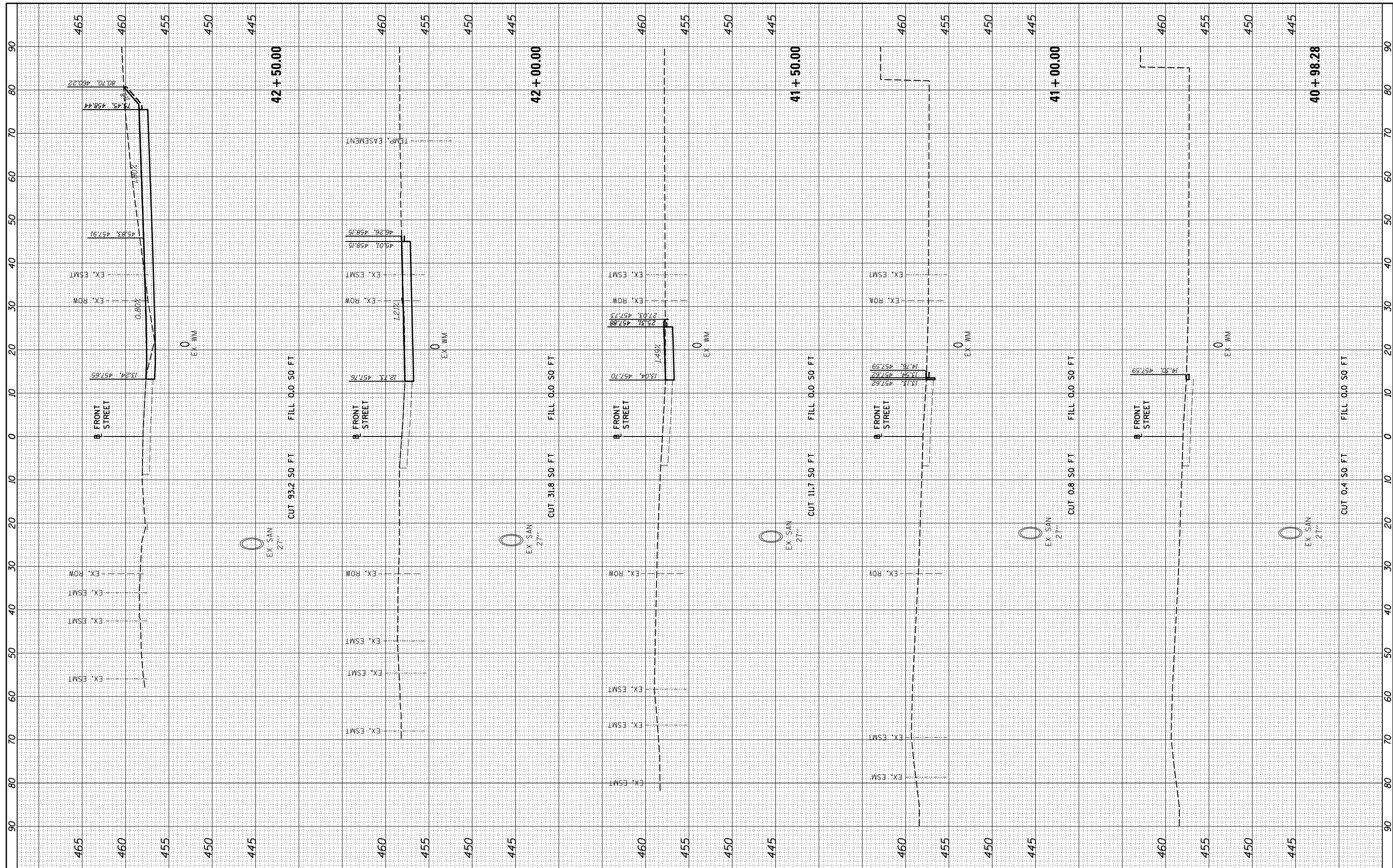
F.A.U. RTE.	SECTION	COUNTY	TOTAL SHEETS	SHEET NO.
	18-00188-00-RP	TAZEWELL	180	136
CONTRACT NO.89749				
ILLINOIS FED. AID PROJECT				

FINAL SURVEY	SURVEYED	BY	DATE
NOTE BOOK	PLOTTED		
NO.	TEMPLATE		
	AREAS CHECKED		



ORIGINAL SURVEY	SURVEYED	BY	DATE
NOTE BOOK	PLOTTED		
NO.	TEMPLATE		
	AREAS CHECKED		

LAYOUT	BAB	4/29/19
DRAWN	RLA	6/13/19
REVIEWED	MGD	6/13/19



FILE NAME = I:\12jobs\12L0052\CAD\Road\Sheet\sh-txs.TempTurndgn
 USER NAME = Ander-00946
 PLOT SCALE = 20.0000' / in.
 PLOT DATE = 6/17/2019

DESIGNED - BAB
 DRAWN - RLA
 CHECKED - MGD
 DATE - 6/20/19

REVISED -
 REVISED -
 REVISED -
 REVISED -

**STATE OF ILLINOIS
 DEPARTMENT OF TRANSPORTATION**

**FRONT STREET TEMPORARY TURNAROUND
 CROSS SECTIONS**
 SCALE: N/A SHEET 1 OF 2 SHEETS STA. 40+98.28 TO STA. 42+50.00

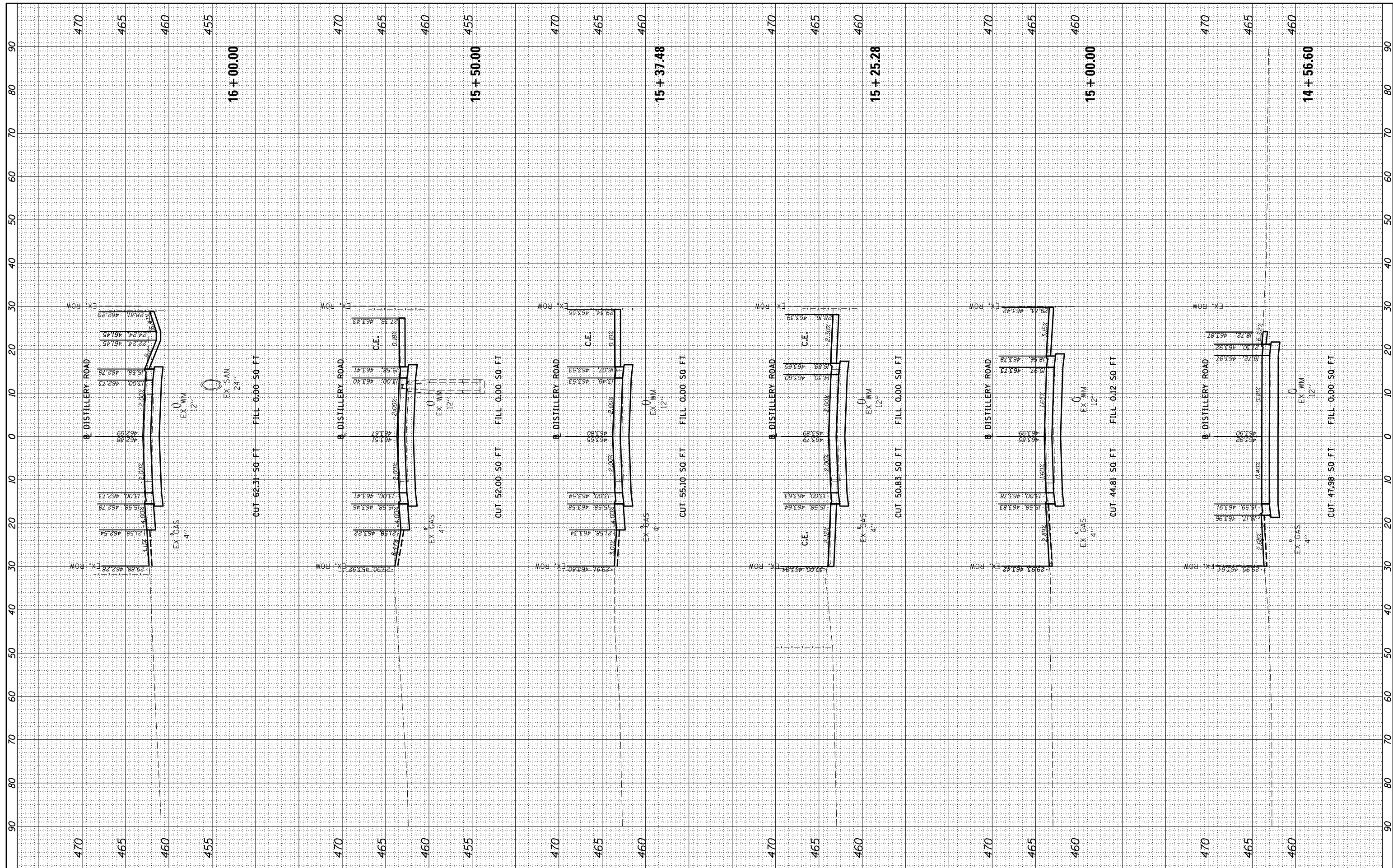
F.A. RTE.	SECTION	COUNTY	TOTAL SHEETS	SHEET NO.
	18-00188-00-RP	TAZEWELL	180	138
CONTRACT NO.89749				
ILLINOIS FED. AID PROJECT				

FINAL SURVEY	SURVEYED	BY	DATE
NO.	PLOTTED		
	TEMPLATE		
	AREAS		
	CHECKED		



ORIGINAL SURVEY	SURVEYED	BY	DATE
NO.	PLOTTED		
	TEMPLATE		
	AREAS		
	CHECKED		

LAYOUT	BAB	4/29/19
DRAWN	RLA	6/13/19
REVIEWED	MGD	6/13/19



FILE NAME = I:\12jobs\12L0052\CAD\Road\Sheet\sh1-x5-Front.dgn
 USER NAME = Ander-00846
 PLOT SCALE = 20.0000' / in.
 PLOT DATE = 6/17/2019

DESIGNED	-	BAB	REVISED	-
DRAWN	-	RLA	REVISED	-
CHECKED	-	MGD	REVISED	-
DATE	-	6/20/19	REVISED	-

**STATE OF ILLINOIS
DEPARTMENT OF TRANSPORTATION**

**FRONT STREET
CROSS SECTIONS**

SCALE: N/A SHEET 1 OF 40 SHEETS STA. 14+58.54 TO STA. 16+00.00

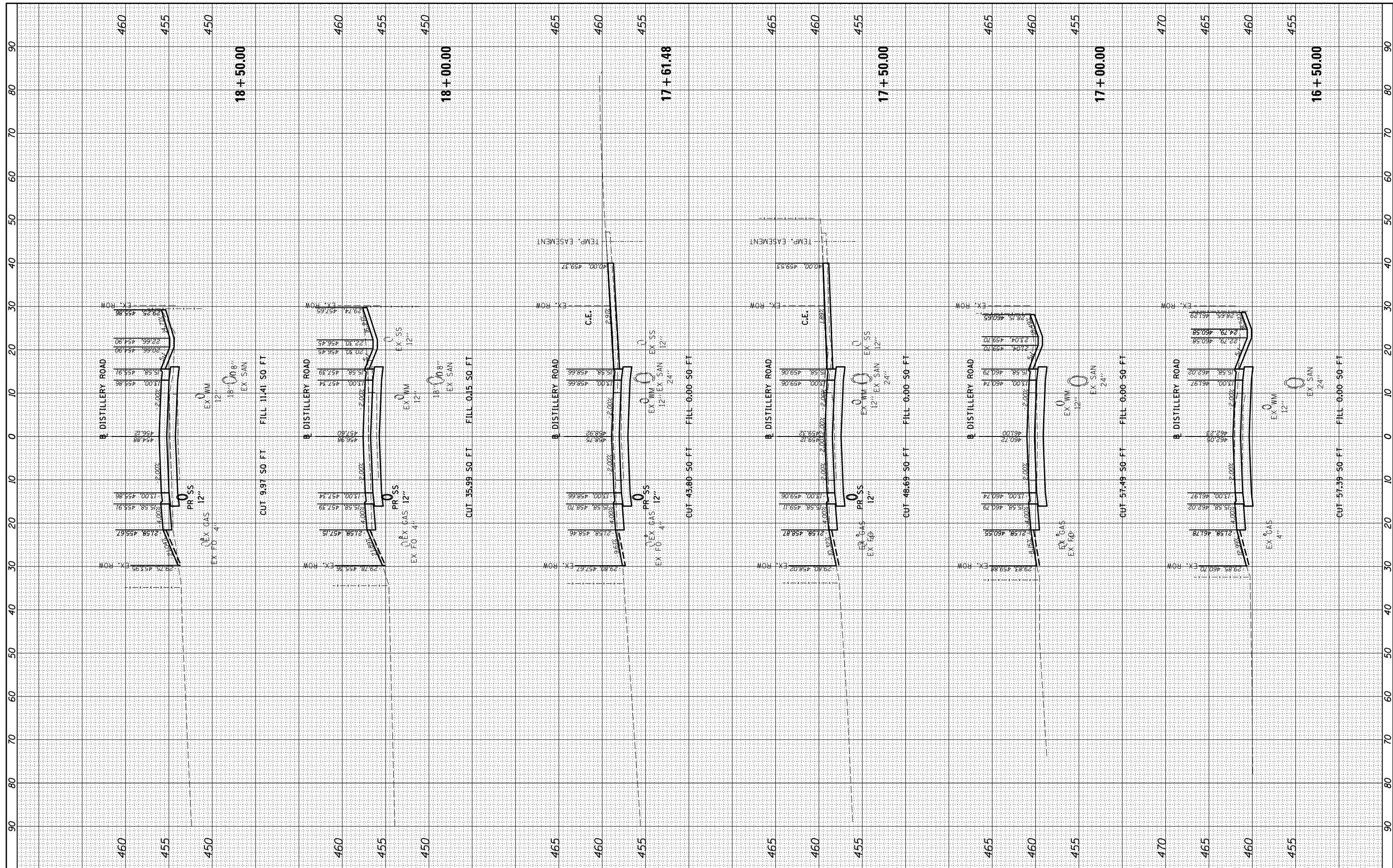
F.A. RTE.	SECTION	COUNTY	TOTAL SHEETS	SHEET NO.
	18-00188-00-RP	TAZEWELL	180	140
CONTRACT NO. 89749			ILLINOIS FED. AID PROJECT	

FINAL SURVEY	SURVEYED	BY	DATE
NOTE BOOK	PLOTTED		
AREAS CHECKED	TEMPLATE		
	AREAS CHECKED		



ORIGINAL SURVEY	SURVEYED	BY	DATE
NOTE BOOK	PLOTTED		
AREAS CHECKED	TEMPLATE		
	AREAS CHECKED		

LAYOUT	BAB	4/29/19
DRAWN	RLA	6/13/19
REVIEWED	MGD	6/13/19



FILE NAME = I:\12jobs\12L0052\CAD\Road\Sheet\sh-txs.Front.dgn
 USER NAME = Ander-00846
 PLOT SCALE = 20.0000' / in.
 PLOT DATE = 6/17/2019

DESIGNED	-	BAB	REVISED	-
DRAWN	-	RLA	REVISED	-
CHECKED	-	MGD	REVISED	-
DATE	-	6/20/19	REVISED	-

**STATE OF ILLINOIS
DEPARTMENT OF TRANSPORTATION**

**FRONT STREET
CROSS SECTIONS**

SCALE: N/A SHEET 2 OF 40 SHEETS STA. 16+50.00 TO STA. 18+50.00

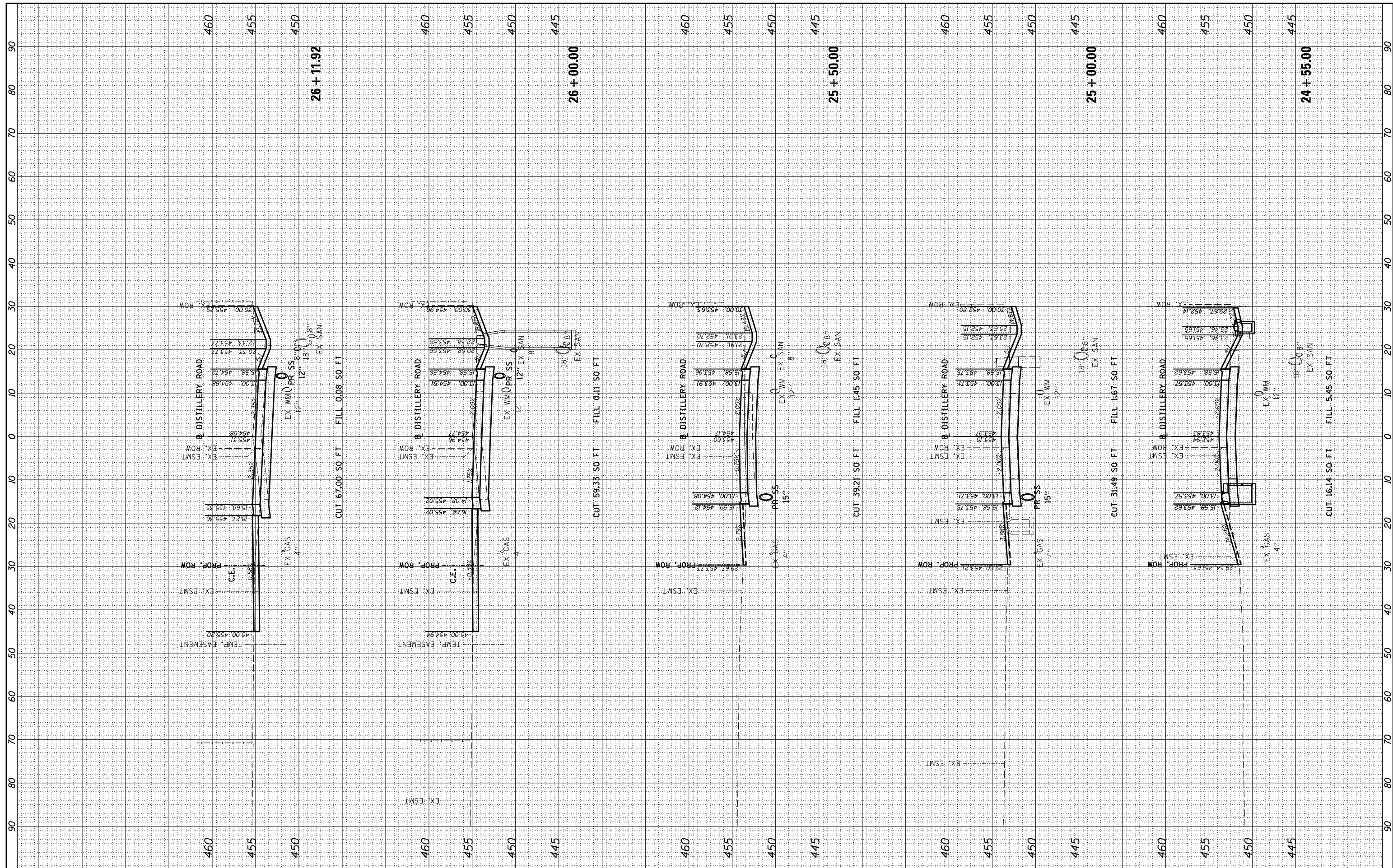
F.A. RTE.	SECTION	COUNTY	TOTAL SHEETS	SHEET NO.
	18-00188-00-RP	TAZEWELL	180	141
CONTRACT NO.89749			ILLINOIS FED. AID PROJECT	

FINAL SURVEY	SURVEYED	BY	DATE
NOTE BOOK	PLOTTED		
NO.	TEMPLATE		
	AREAS CHECKED		



ORIGINAL SURVEY	SURVEYED	BY	DATE
NOTE BOOK	PLOTTED		
NO.	TEMPLATE		
	AREAS CHECKED		

LAYOUT	BAB	4/29/19
DRAWN	RLA	6/13/19
REVIEWED	MGD	6/13/19



FILE NAME = I:\12jobs\12L0052\CAD\Road\Sheet\sh-txs.Front.dgn
 USER NAME = Ander-00846
 PLOT SCALE = 20.0000' / in.
 PLOT DATE = 6/17/2019

DESIGNED	-	BAB	REVISED	-
DRAWN	-	RLA	REVISED	-
CHECKED	-	MGD	REVISED	-
DATE	-	6/20/19	REVISED	-

**STATE OF ILLINOIS
DEPARTMENT OF TRANSPORTATION**

SCALE: N/A
 SHEET 5 OF 40 SHEETS
 FRONT STREET CROSS SECTIONS
 STA. 24+55.00 TO STA. 26+11.92

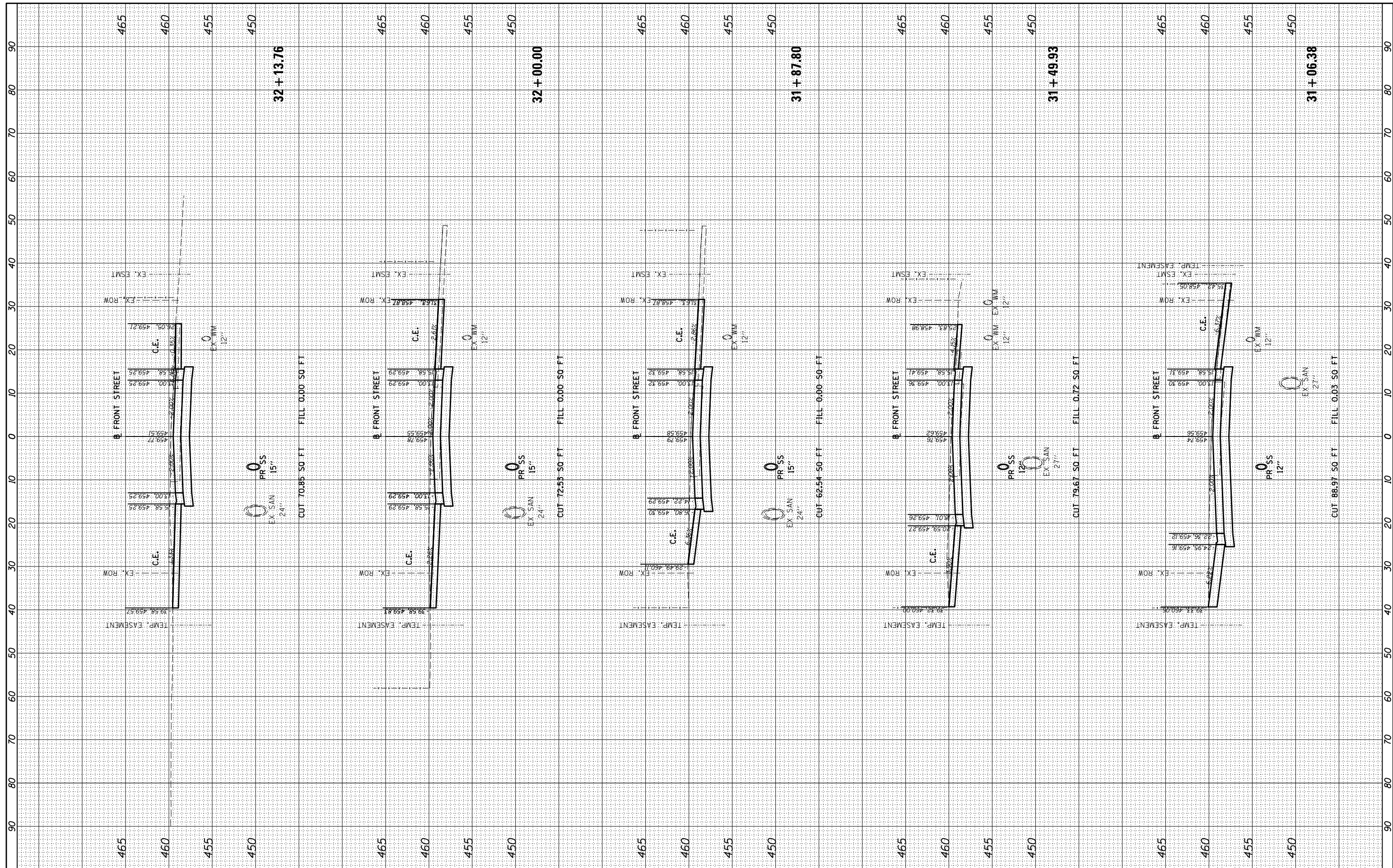
F.A. RTE.	SECTION	COUNTY	TOTAL SHEETS	SHEET NO.
	18-00188-00-RP	TAZEWELL	180	144
CONTRACT NO.89749				
ILLINOIS FED. AID PROJECT				

FINAL SURVEY	SURVEYED	BY	DATE
NO.	PLOTTED		
	TEMPLATE		
	AREAS CHECKED		



ORIGINAL SURVEY	SURVEYED	BY	DATE
NO.	PLOTTED		
	TEMPLATE		
	AREAS CHECKED		

LAYOUT	BAB	4/29/19
DRAWN	RLA	6/13/19
REVIEWED	MGD	6/13/19



FILE NAME = I:\12jobs\12L0052\CAD\Road\Sheet\sh-txs-Front.dgn
 USER NAME = Ander-00846
 PLOT SCALE = 20.0000' / in.
 PLOT DATE = 6/17/2019

DESIGNED -	BAB	REVISED -	
DRAWN -	RLA	REVISED -	
CHECKED -	MGD	REVISED -	
DATE -	6/20/19	REVISED -	

**STATE OF ILLINOIS
DEPARTMENT OF TRANSPORTATION**

**FRONT STREET
CROSS SECTIONS**

SCALE: N/A SHEET 8 OF 40 SHEETS STA. 31+06.38 TO STA. 32+13.76

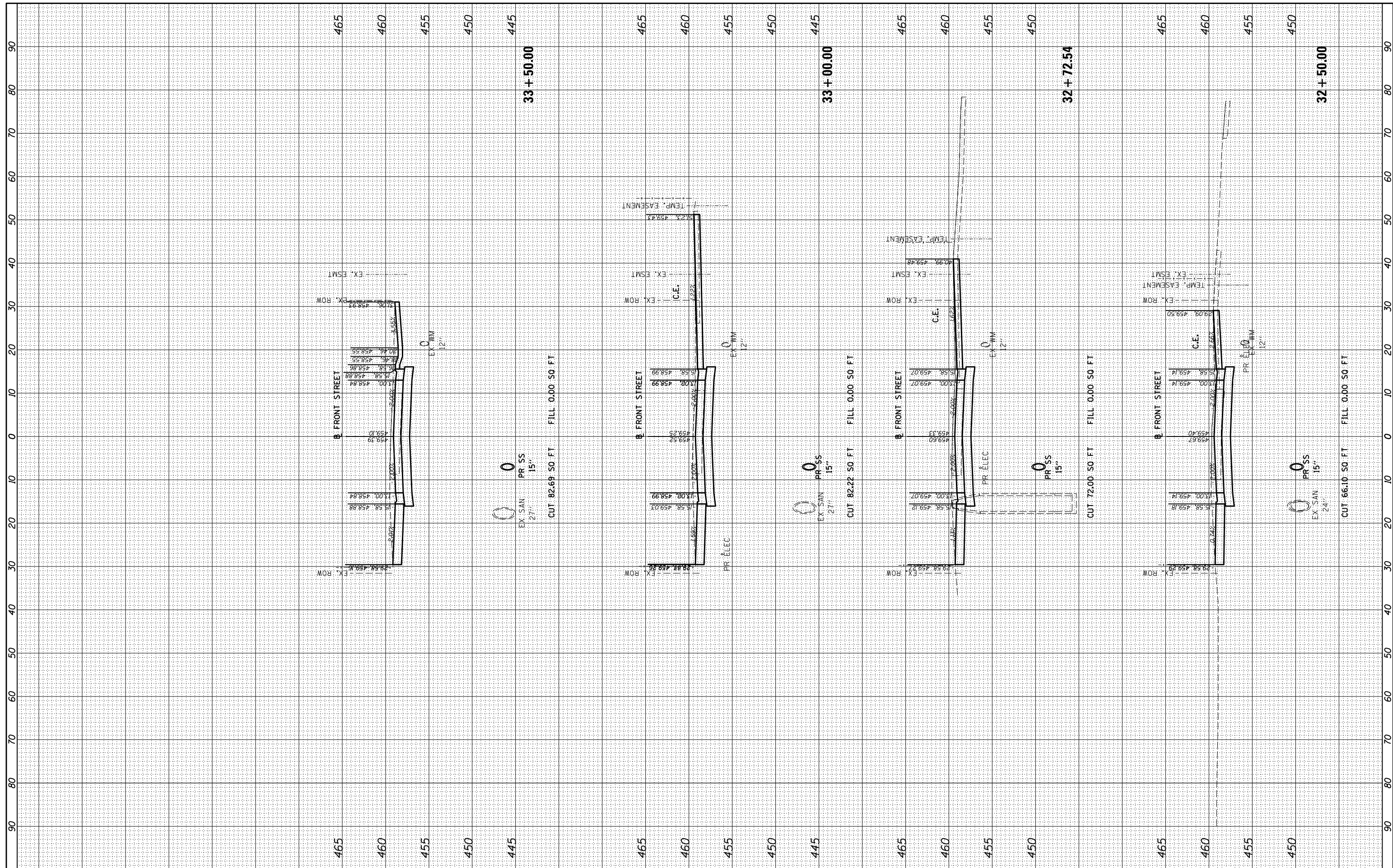
F.A. RTÉ.	SECTION	COUNTY	TOTAL SHEETS	SHEET NO.
	18-00188-00-RP	TAZEWELL	180	147
CONTRACT NO.89749				
ILLINOIS FED. AID PROJECT				

FINAL SURVEY	SURVEYED	BY	DATE
NOTE BOOK	PLOTTED		
AREAS CHECKED	TEMPLATE		
	AREAS CHECKED		



ORIGINAL SURVEY	SURVEYED	BY	DATE
NOTE BOOK	PLOTTED		
AREAS CHECKED	TEMPLATE		
	AREAS CHECKED		

LAYOUT	BAB	4/29/19
DRAWN	RLA	6/13/19
REVIEWED	MGD	6/13/19



FILE NAME = I:\12jobs\12L0052\CAD\Road\Sheet\sh-txs.Front.dgn
 USER NAME = Ander-00846
 PLOT SCALE = 20.0000' / in.
 PLOT DATE = 6/17/2019

DESIGNED	-	BAB	REVISED	-
DRAWN	-	RLA	REVISED	-
CHECKED	-	MGD	REVISED	-
DATE	-	6/20/19	REVISED	-

**STATE OF ILLINOIS
DEPARTMENT OF TRANSPORTATION**

**FRONT STREET
CROSS SECTIONS**

SCALE: N/A SHEET 9 OF 40 SHEETS STA. 32+50.00 TO STA. 33+50.00

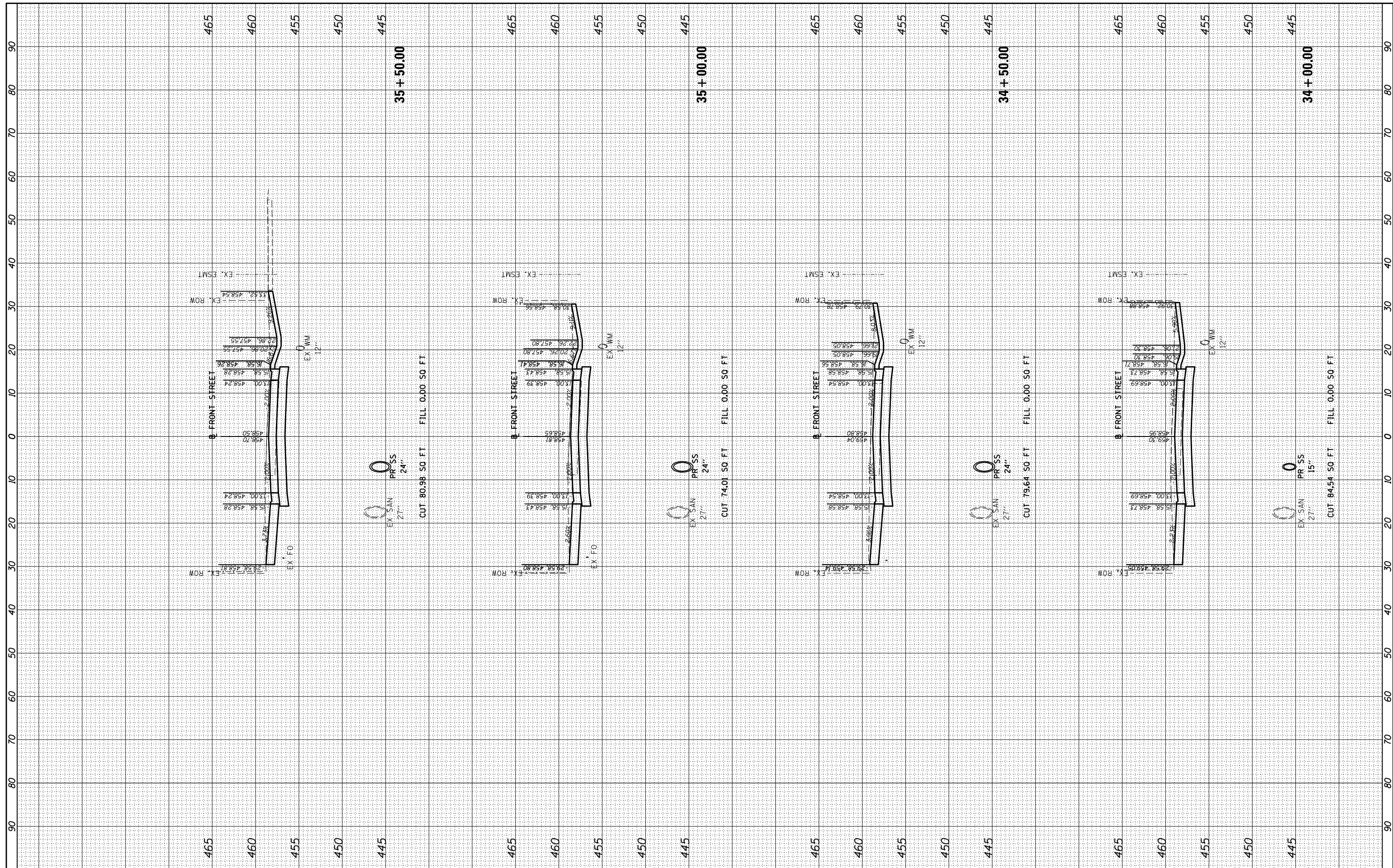
F.A. RTE.	SECTION	COUNTY	TOTAL SHEETS	SHEET NO.
	18-00188-00-RP	TAZEWELL	180	148
CONTRACT NO.89749				
ILLINOIS FED. AID PROJECT				

FINAL SURVEY	SURVEYED	BY	DATE
NO.	PLOTTED		
	TEMPLATE		
	AREAS CHECKED		



ORIGINAL SURVEY	SURVEYED	BY	DATE
NO.	PLOTTED		
	TEMPLATE		
	AREAS CHECKED		

LAYOUT	BAB	4/29/19
DRAWN	RLA	6/13/19
REVIEWED	MGD	6/13/19



FILE NAME = I:\12jobs\12L0052\CAD\Road\Sheet\sh-txs.Front.dgn
 USER NAME = Ander-00946
 PLOT SCALE = 20.0000' / in.
 PLOT DATE = 6/17/2019

DESIGNED	-	BAB	REVISED	-
DRAWN	-	RLA	REVISED	-
CHECKED	-	MGD	REVISED	-
DATE	-	6/20/19	REVISED	-

**STATE OF ILLINOIS
DEPARTMENT OF TRANSPORTATION**

**FRONT STREET
CROSS SECTIONS**

SCALE: N/A SHEET 10 OF 40 SHEETS STA. 34+00.00 TO STA. 35+50.00

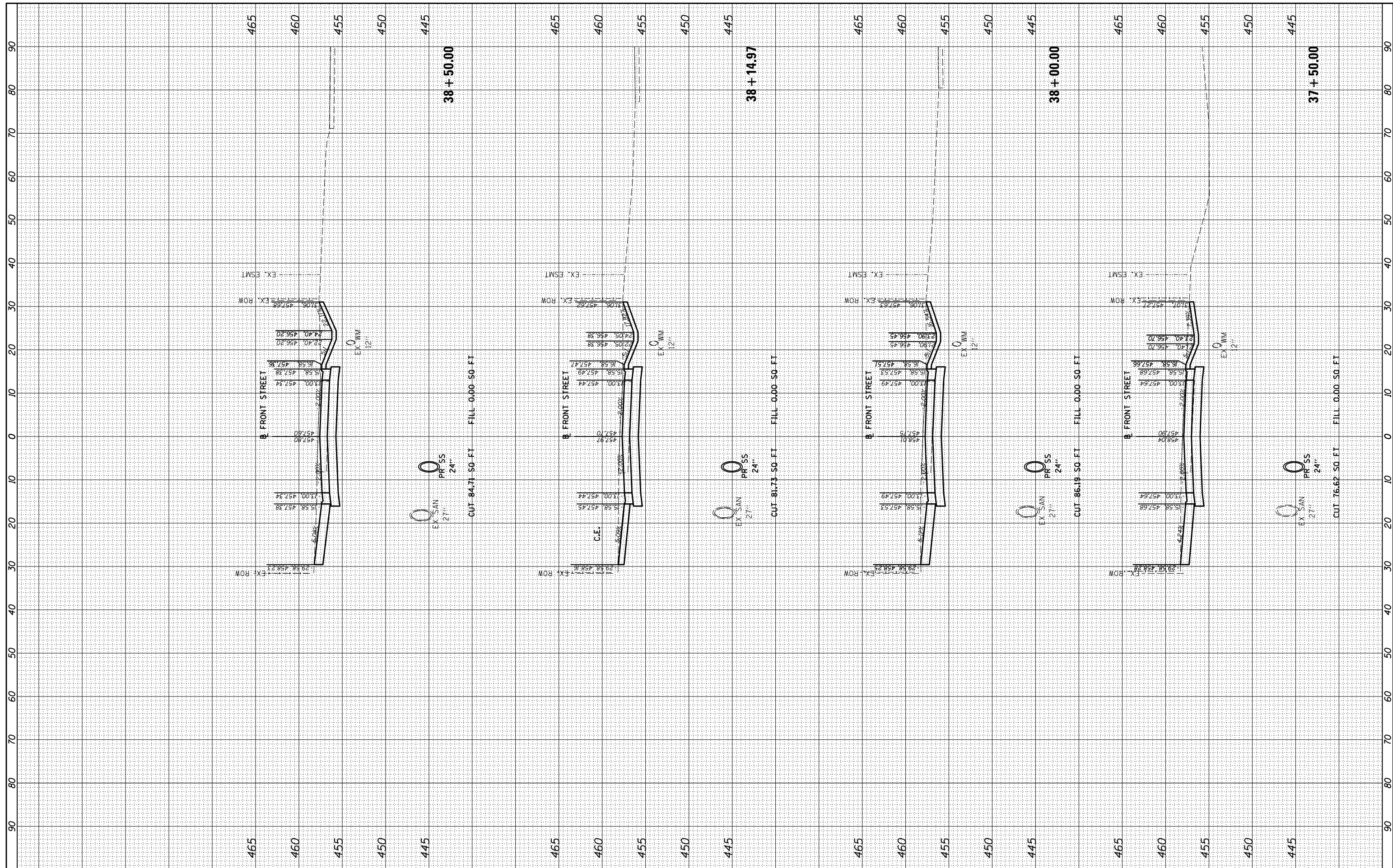
F.A. RTE.	SECTION	COUNTY	TOTAL SHEETS	SHEET NO.
	18-00188-00-RP	TAZEWELL	180	149
CONTRACT NO.89749				
ILLINOIS FED. AID PROJECT				

FINAL SURVEY	SURVEYED	BY	DATE
NO.	PLOTTED		
	TEMPLATE		
	AREAS CHECKED		



ORIGINAL SURVEY	SURVEYED	BY	DATE
NO.	PLOTTED		
	TEMPLATE		
	AREAS CHECKED		

LAYOUT	BAB	4/29/19
DRAWN	RLA	6/13/19
REVIEWED	MGD	6/13/19



FILE NAME = I:\12jobs\12L0052\CAD\Road\Sheet\sh-txs.Front.dgn
 USER NAME = Ander-00846
 PLOT SCALE = 20.0000' / in.
 PLOT DATE = 6/17/2019

DESIGNED	-	BAB	REVISED	-
DRAWN	-	RLA	REVISED	-
CHECKED	-	MGD	REVISED	-
DATE	-	6/20/19	REVISED	-

**STATE OF ILLINOIS
DEPARTMENT OF TRANSPORTATION**

**FRONT STREET
CROSS SECTIONS**

SCALE: N/A SHEET 12 OF 40 SHEETS STA. 37+50.00 TO STA. 38+50.00

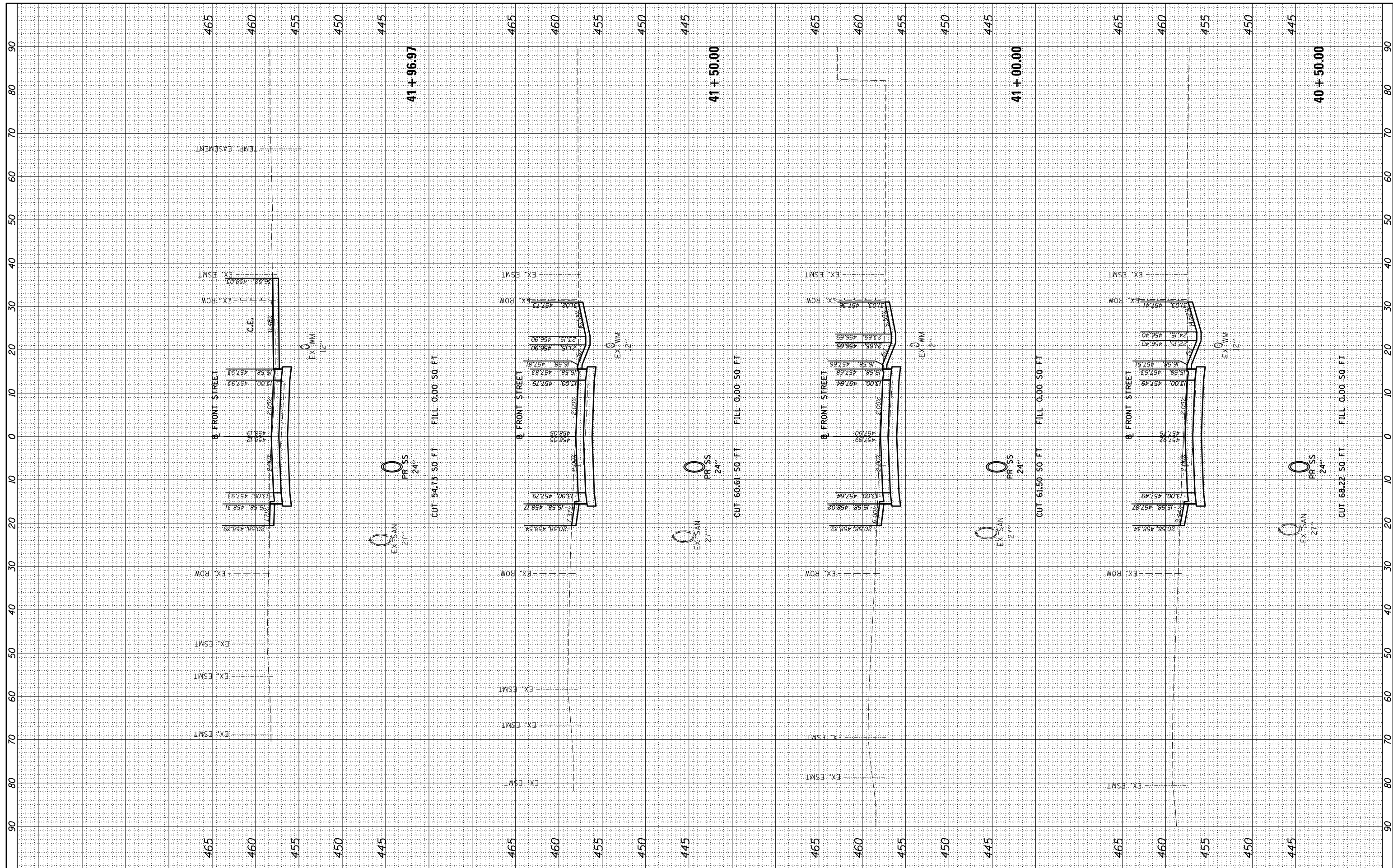
F.A. RTE.	SECTION	COUNTY	TOTAL SHEETS	SHEET NO.
	18-00188-00-RP	TAZEWELL	180	151
CONTRACT NO.89749				
ILLINOIS FED. AID PROJECT				

FINAL SURVEY	SURVEYED	BY	DATE
NO.	PLOTTED		
	TEMPLATE		
	AREAS CHECKED		



ORIGINAL SURVEY	SURVEYED	BY	DATE
NO.	PLOTTED		
	TEMPLATE		
	AREAS CHECKED		

LAYOUT	BAB	4/29/19
DRAWN	RLA	6/13/19
REVIEWED	MGD	6/13/19



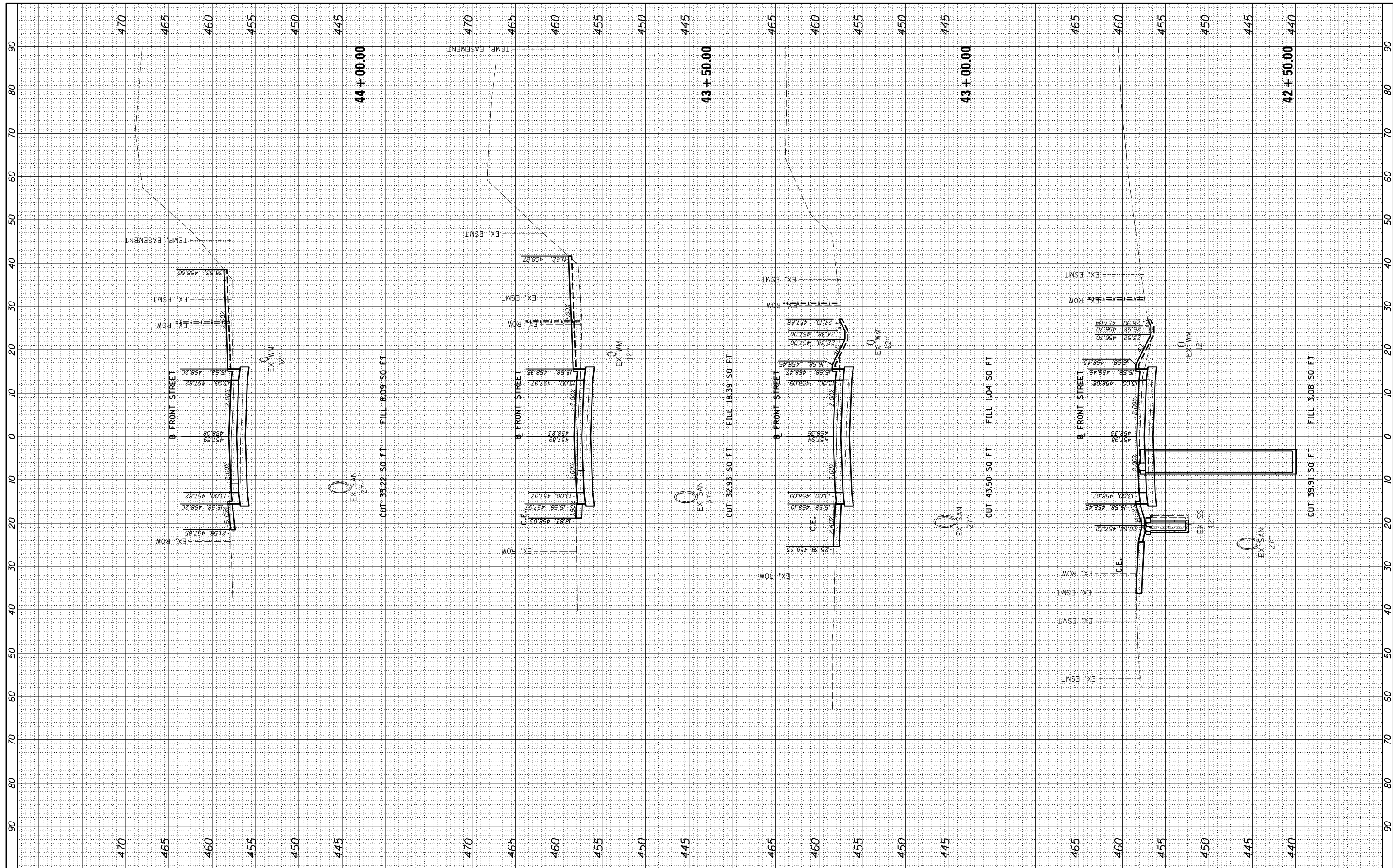
FILE NAME = I:\12jobs\12L0052\CAD\Road\Sheet\sh-txs.Front.dgn	USER NAME = Ander-00946	DESIGNED - BAB	REVISED -	STATE OF ILLINOIS DEPARTMENT OF TRANSPORTATION	FRONT STREET CROSS SECTIONS	F.A. RTE.	SECTION	COUNTY	TOTAL SHEETS	SHEET NO.
Default	PLOT SCALE = 20.0000' / in.	DRAWN - RLA	REVISED -			18-00188-00-RP	TAZEWELL	180	153	
	PLOT DATE = 6/17/2019	CHECKED - MGD	REVISED -			CONTRACT NO.89749				
		DATE - 6/20/19	REVISED -			ILLINOIS FED. AID PROJECT				
SCALE: N/A						SHEET 14 OF 40 SHEETS		STA. 40+50.00 TO STA. 41+96.97		

FINAL SURVEY	SURVEYED	BY	DATE
NOTE BOOK	PLOTTED		
NO.	TEMPLATE		
	AREAS CHECKED		



ORIGINAL SURVEY	SURVEYED	BY	DATE
NOTE BOOK	PLOTTED		
NO.	TEMPLATE		
	AREAS CHECKED		

LAYOUT	BAB	4/29/19
DRAWN	RLA	6/13/19
REVIEWED	MGD	6/13/19



FILE NAME = I:\12jobs\12L0052\CAD\Road\Sheet\sh1-x5.Front.dgn
 USER NAME = Ander-00946

DESIGNED	-	BAB
DRAWN	-	RLA
CHECKED	-	MGD
DATE	-	6/20/19

REVISED	-
REVISED	-
REVISED	-
REVISED	-

**STATE OF ILLINOIS
DEPARTMENT OF TRANSPORTATION**

**FRONT STREET
CROSS SECTIONS**

SCALE: N/A SHEET 15 OF 40 SHEETS STA. 42+50.00 TO STA. 44+00.00

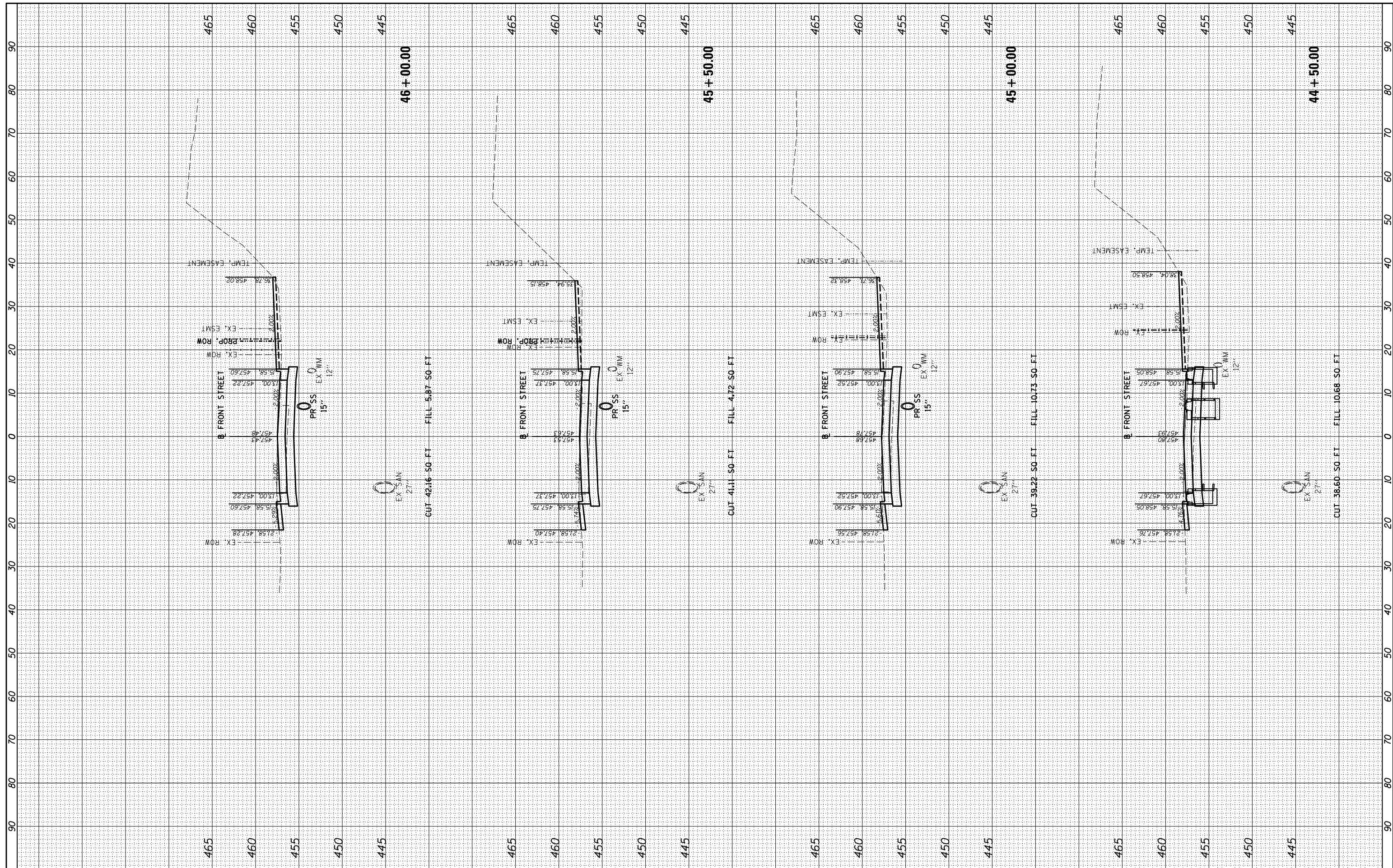
F.A. RTE.	SECTION	COUNTY	TOTAL SHEETS	SHEET NO.
	18-00188-00-RP	TAZEWELL	180	154
CONTRACT NO.89749				
ILLINOIS FED. AID PROJECT				

FINAL SURVEY	SURVEYED	BY	DATE
NO.	PLOTTED		
	TEMPLATE		
	AREAS CHECKED		



ORIGINAL SURVEY	SURVEYED	BY	DATE
NO.	PLOTTED		
	TEMPLATE		
	AREAS CHECKED		

LAYOUT	BAB	4/29/19
DRAWN	RLA	6/13/19
REVIEWED	MGD	6/13/19



FILE NAME = I:\12jobs\12L0052\CAD\Road\Sheet\sh1-xs.Front.dgn
 USER NAME = Ander-00946
 PLOT SCALE = 20.0000' / in.
 PLOT DATE = 6/17/2019

DESIGNED	-	BAB	REVISED	-
DRAWN	-	RLA	REVISED	-
CHECKED	-	MGD	REVISED	-
DATE	-	6/20/19	REVISED	-

**STATE OF ILLINOIS
DEPARTMENT OF TRANSPORTATION**

**FRONT STREET
CROSS SECTIONS**

SCALE: N/A SHEET 16 OF 40 SHEETS STA. 44+50.00 TO STA. 46+00.00

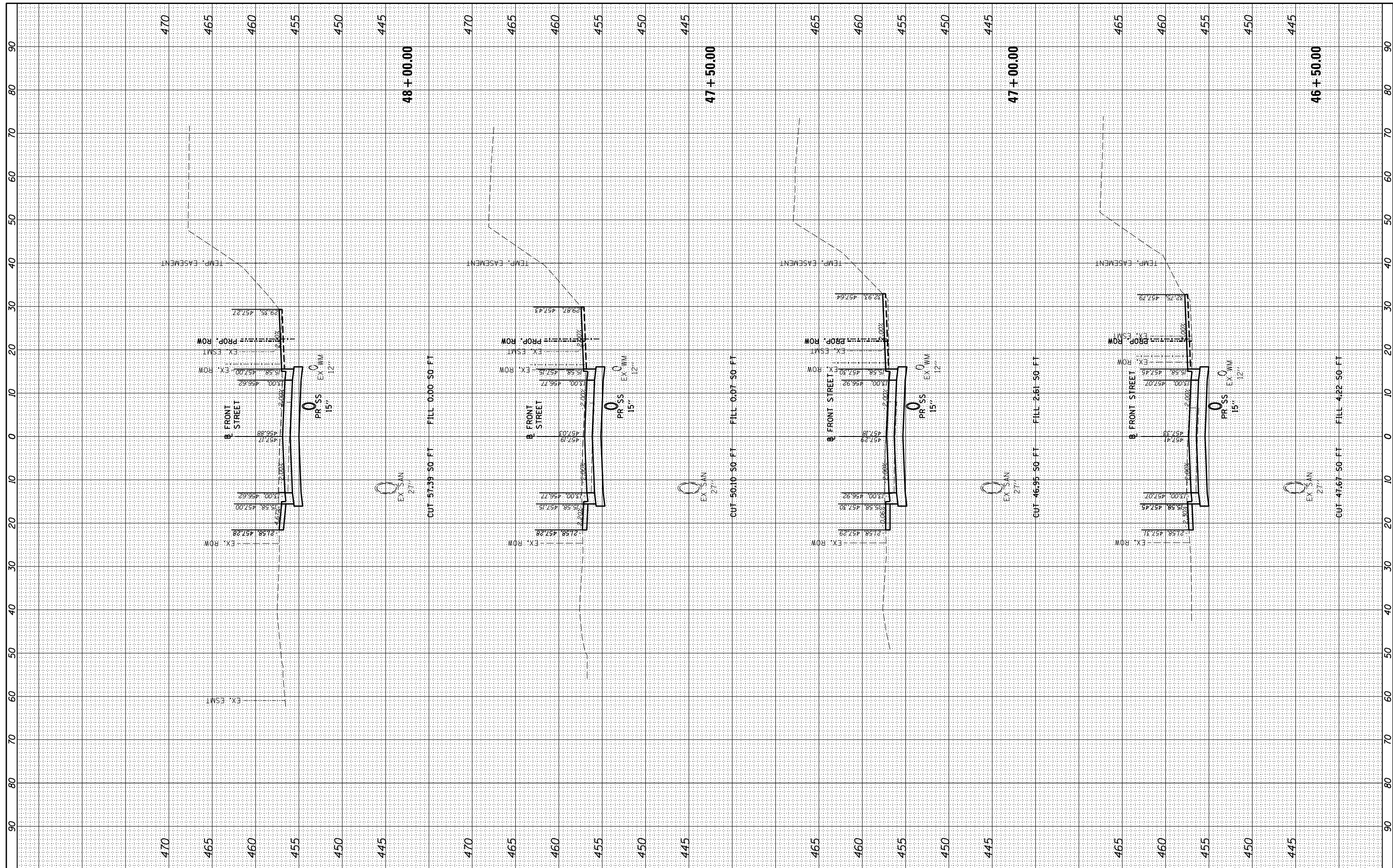
F.A. RTE.	SECTION	COUNTY	TOTAL SHEETS	SHEET NO.
	18-00188-00-RP	TAZEWELL	180	155
CONTRACT NO.89749				
ILLINOIS FED. AID PROJECT				

FINAL SURVEY	SURVEYED	BY	DATE
NO.	PLOTTED		
	TEMPLATE		
	AREAS CHECKED		



ORIGINAL SURVEY	SURVEYED	BY	DATE
NO.	PLOTTED		
	TEMPLATE		
	AREAS CHECKED		

LAYOUT	BAB	4/29/19
DRAWN	RLA	6/13/19
REVIEWED	MGD	6/13/19



FILE NAME = I:\12jobs\12L0052\CAD\Road\Sheet\sh1-xs.Front.dgn
 USER NAME = Ander-00846
 PLOT SCALE = 20.0000' / in.
 PLOT DATE = 6/17/2019

DESIGNED	-	BAB	REVISED	-
DRAWN	-	RLA	REVISED	-
CHECKED	-	MGD	REVISED	-
DATE	-	6/20/19	REVISED	-

**STATE OF ILLINOIS
DEPARTMENT OF TRANSPORTATION**

**FRONT STREET
CROSS SECTIONS**

SCALE: N/A SHEET 17 OF 40 SHEETS STA. 46+50.00 TO STA. 48+00.00

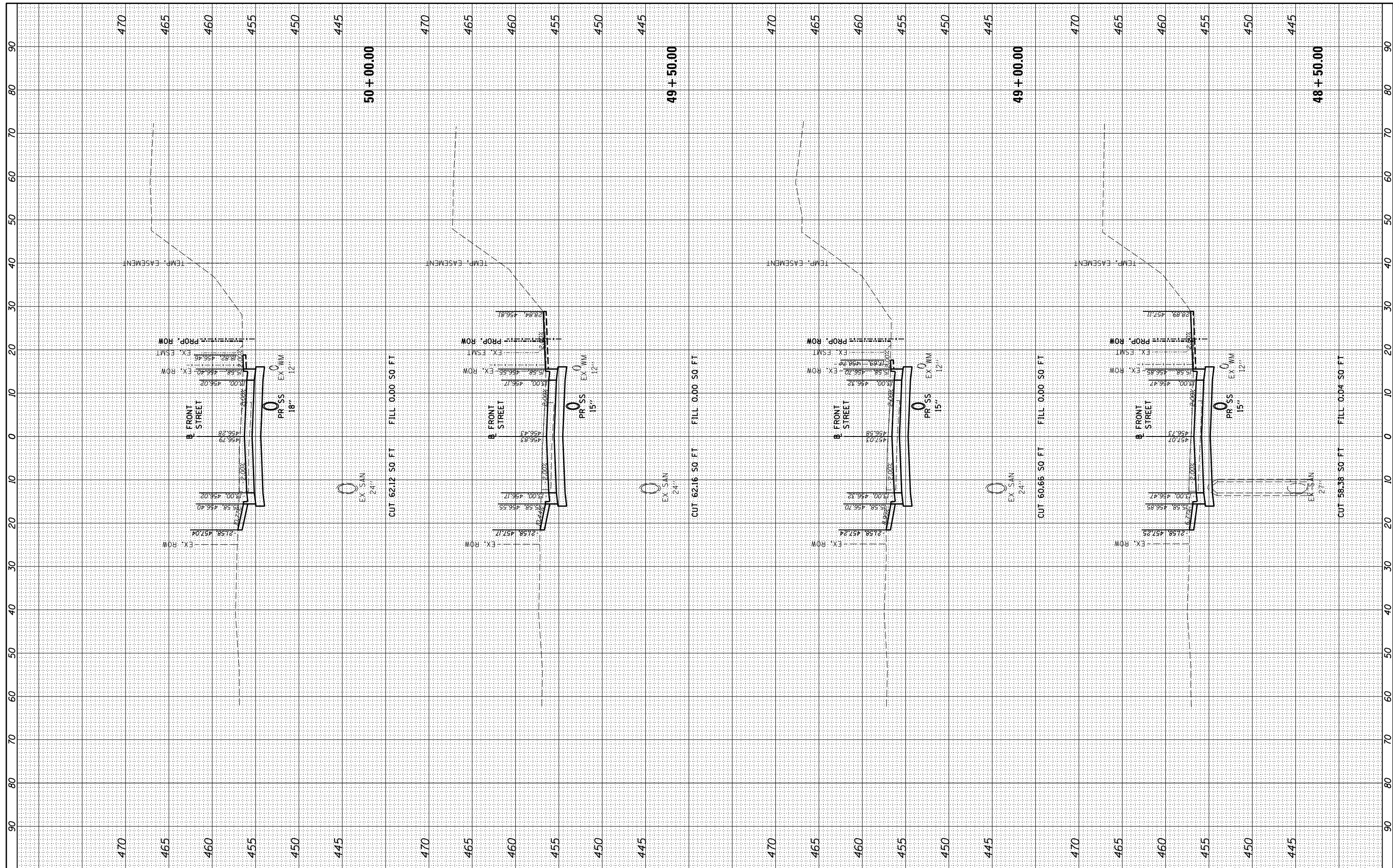
F.A. RTE.	SECTION	COUNTY	TOTAL SHEETS	SHEET NO.
	18-00188-00-RP	TAZEWELL	180	156
CONTRACT NO.89749				
ILLINOIS FED. AID PROJECT				

FINAL SURVEY	SURVEYED	BY	DATE
NO.	PLOTTED		
	TEMPLATE		
	AREAS CHECKED		



ORIGINAL SURVEY	SURVEYED	BY	DATE
NO.	PLOTTED		
	TEMPLATE		
	AREAS CHECKED		

LAYOUT	BAB	4/29/19
DRAWN	RLA	6/13/19
REVIEWED	MGD	6/13/19



FILE NAME = I:\12jobs\12L0052\CAD\Road\Sheet\sh-txs.Front.dgn
 USER NAME = Ander-00946
 PLOT SCALE = 20.0000' / in.
 PLOT DATE = 6/17/2019

DESIGNED	-	BAB	REVISED	-
DRAWN	-	RLA	REVISED	-
CHECKED	-	MGD	REVISED	-
DATE	-	6/20/19	REVISED	-

**STATE OF ILLINOIS
DEPARTMENT OF TRANSPORTATION**

**FRONT STREET
CROSS SECTIONS**

SCALE: N/A SHEET 18 OF 40 SHEETS STA. 48+50.00 TO STA. 50+00.00

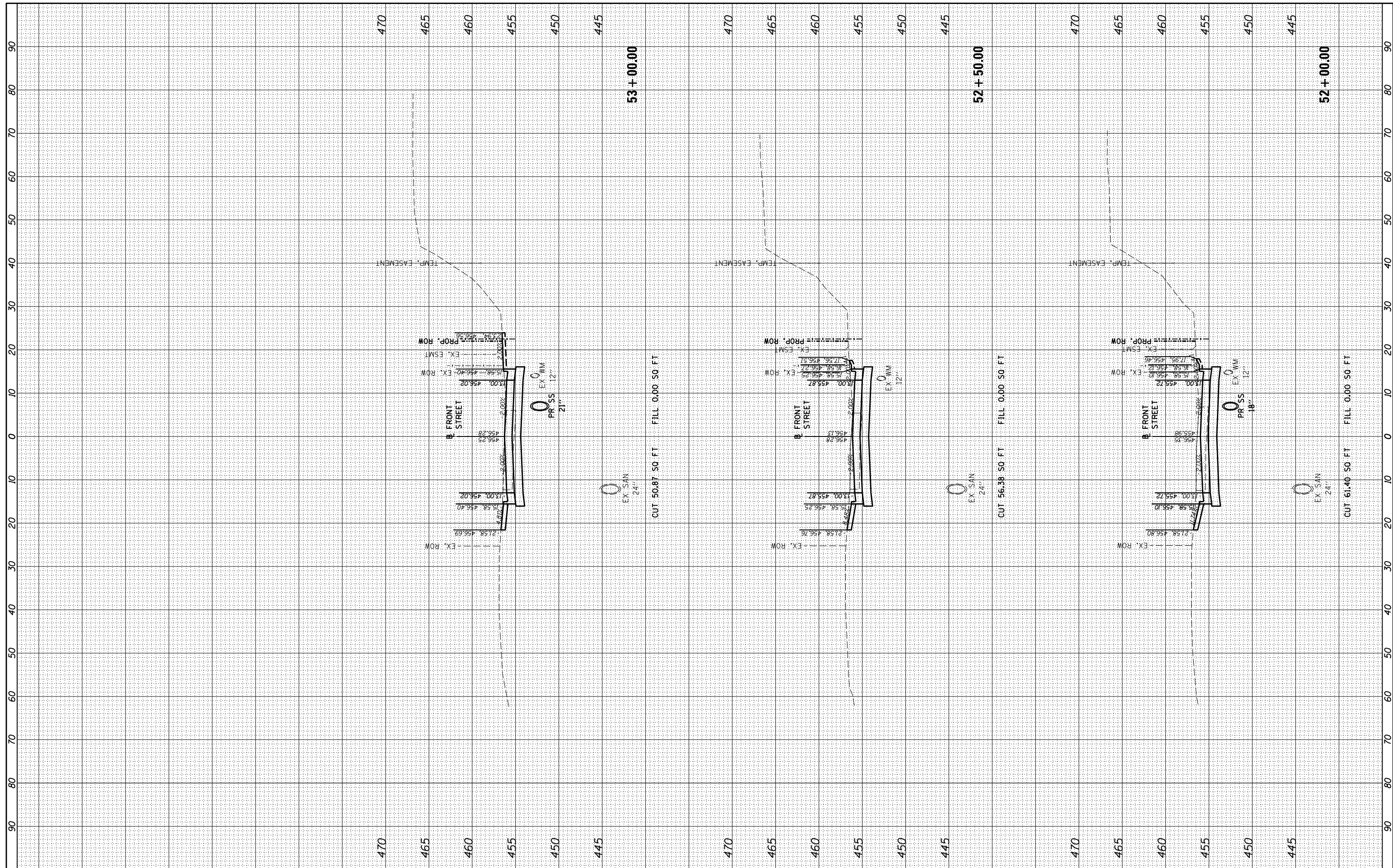
F.A. RTE.	SECTION	COUNTY	TOTAL SHEETS	SHEET NO.
	18-00188-00-RP	TAZEWELL	180	157
CONTRACT NO.89749				
ILLINOIS FED. AID PROJECT				

FINAL SURVEY NO.	SURVEYED PLOTTED TEMPLATE AREAS CHECKED	BY	DATE



ORIGINAL SURVEY NO.	SURVEYED PLOTTED TEMPLATE AREAS CHECKED	BY	DATE

LAYOUT DRAWN REVIEWED	BAB RLA MGD	4/29/19 6/13/19 6/13/19
-----------------------	-------------	-------------------------



FILE NAME = I:\12jobs\12L0052\CAD\Road\Sheet\sh-txs.Front.dgn	USER NAME = Ander-00846	DESIGNED - BAB	REVISED -	STATE OF ILLINOIS DEPARTMENT OF TRANSPORTATION	FRONT STREET CROSS SECTIONS	F.A. RTÉ.	SECTION	COUNTY	TOTAL SHEETS	SHEET NO.
Default	PLOT SCALE = 20.0000' / in.	DRAWN - RLA	REVISED -			18-00188-00-RP	TAZEWELL	180	159	
	PLOT DATE = 6/17/2019	CHECKED - MGD	REVISED -			CONTRACT NO.89749				
		DATE - 6/20/19	REVISED -			ILLINOIS FED. AID PROJECT				

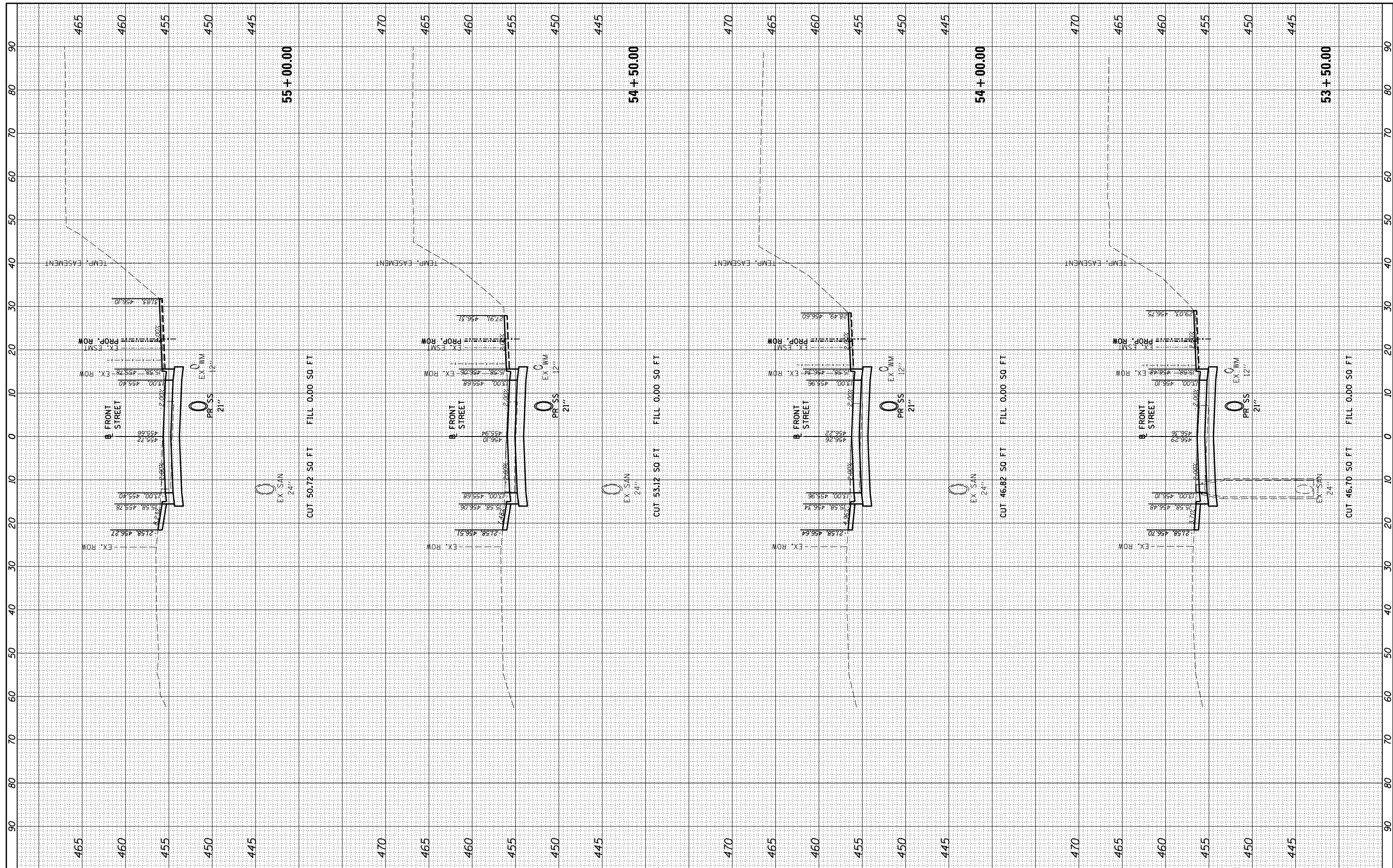
SCALE: N/A SHEET 20 OF 40 SHEETS STA. 52+00.00 TO STA. 53+00.00

FINAL SURVEY	SURVEYED	BY	DATE
NOTE BOOK	PLOTTED		
NO.	TEMPLATE		
	AREAS CHECKED		



ORIGINAL SURVEY	SURVEYED	BY	DATE
NOTE BOOK	PLOTTED		
NO.	TEMPLATE		
	AREAS CHECKED		

LAYOUT	BAB	4/29/19
DRAWN	RLA	6/13/19
REVIEWED	MGD	6/13/19



FILE NAME = I:\12jobs\12L0052\CAD\Road\Sheet\sh-txs.Front.dgn
 USER NAME = Ander-00846
 PLOT SCALE = 20.0000' / in.
 PLOT DATE = 6/17/2019

DESIGNED -	BAB	REVISED -	
DRAWN -	RLA	REVISED -	
CHECKED -	MGD	REVISED -	
DATE -	6/20/19	REVISED -	

**STATE OF ILLINOIS
DEPARTMENT OF TRANSPORTATION**

**FRONT STREET
CROSS SECTIONS**

SCALE: N/A SHEET 21 OF 40 SHEETS STA. 53+50.00 TO STA. 55+00.00

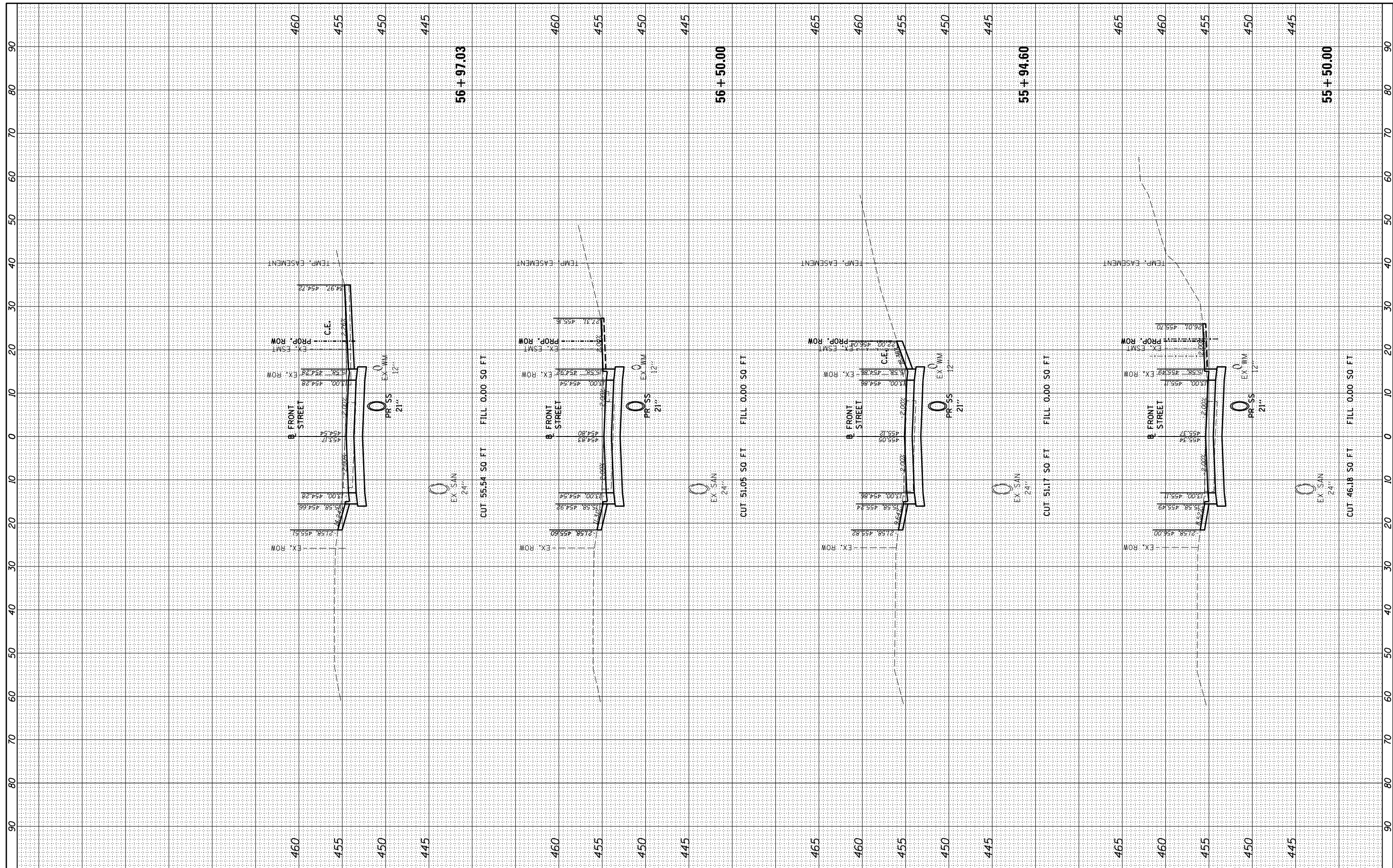
F.A. RTE.	SECTION	COUNTY	TOTAL SHEETS	SHEET NO.
	18-00188-00-RP	TAZEWELL	180	160
CONTRACT NO.89749				
ILLINOIS FED. AID PROJECT				

FINAL SURVEY	SURVEYED	BY	DATE
NO.	PLOTTED		
	TEMPLATE		
	AREAS CHECKED		



ORIGINAL SURVEY	SURVEYED	BY	DATE
NO.	PLOTTED		
	TEMPLATE		
	AREAS CHECKED		

LAYOUT	BAB	4/29/19
DRAWN	RLA	6/13/19
REVIEWED	MGD	6/13/19



FILE NAME = I:\12jobs\12L0052\CAD\Road\Sheet\sh1-xs.Front.dgn
 USER NAME = Ander-00846
 PLOT SCALE = 20.0000' / in.
 PLOT DATE = 6/17/2019

DESIGNED	-	BAB	REVISED	-
DRAWN	-	RLA	REVISED	-
CHECKED	-	MGD	REVISED	-
DATE	-	6/20/19	REVISED	-

**STATE OF ILLINOIS
DEPARTMENT OF TRANSPORTATION**

**FRONT STREET
CROSS SECTIONS**

SCALE: N/A SHEET 22 OF 40 SHEETS STA. 55+50.00 TO STA. 56+97.03

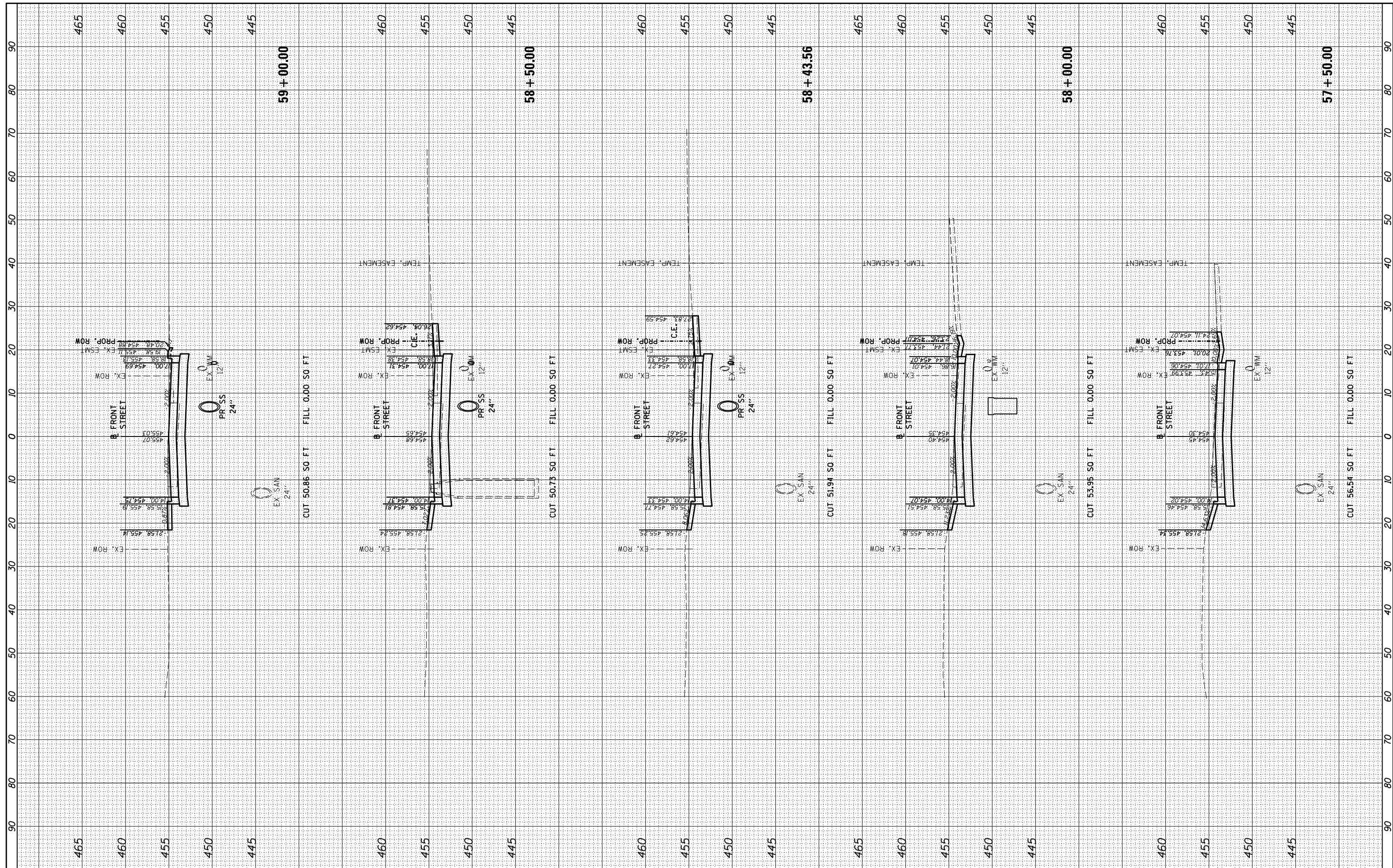
F.A. RTÉ.	SECTION	COUNTY	TOTAL SHEETS	SHEET NO.
	18-00188-00-RP	TAZEWELL	180	161
CONTRACT NO.89749				
ILLINOIS FED. AID PROJECT				

FINAL SURVEY	SURVEYED	BY	DATE
NO.	PLOTTED		
	TEMPLATE		
	AREAS CHECKED		



ORIGINAL SURVEY	SURVEYED	BY	DATE
NO.	PLOTTED		
	TEMPLATE		
	AREAS CHECKED		

LAYOUT	BAB	4/29/19
DRAWN	RLA	6/13/19
REVIEWED	MGD	6/13/19



FILE NAME = I:\12jobs\12L0052\CAD\Road\Sheet\sh-txs-Front.dgn
 USER NAME = Ander-00946

DESIGNED	-	BAB	REVISED	-
DRAWN	-	RLA	REVISED	-
CHECKED	-	MGD	REVISED	-
DATE	-	6/20/19	REVISED	-

**STATE OF ILLINOIS
DEPARTMENT OF TRANSPORTATION**

**FRONT STREET
CROSS SECTIONS**

SCALE: N/A SHEET 23 OF 40 SHEETS STA. 57+50.00 TO STA. 59+00.00

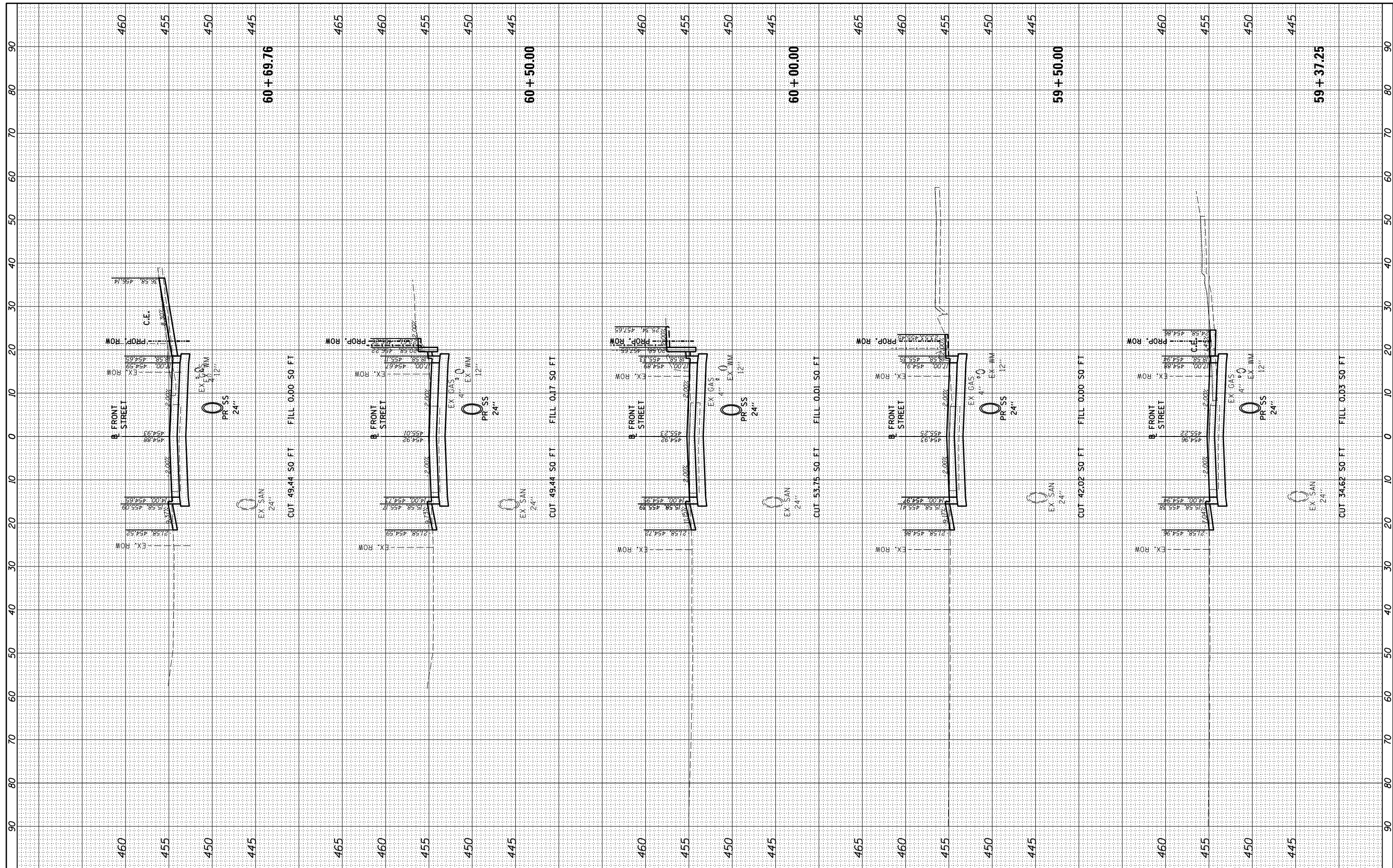
F.A. RTÉ.	SECTION	COUNTY	TOTAL SHEETS	SHEET NO.
	18-00188-00-RP	TAZEWELL	180	162
CONTRACT NO.89749				
ILLINOIS FED. AID PROJECT				

FINAL SURVEY	SURVEYED	BY	DATE
NOTE BOOK	PLOTTED		
NO.	TEMPLATE		
	AREAS		
	CHECKED		



ORIGINAL SURVEY	SURVEYED	BY	DATE
NOTE BOOK	PLOTTED		
NO.	TEMPLATE		
	AREAS		
	CHECKED		

LAYOUT	BAB	4/29/19
DRAWN	RLA	6/13/19
REVIEWED	MGD	6/13/19



FILE NAME =	USER NAME = Ander-00846	DESIGNED -	BAB	REVISED -	
I:\12jobs\12L0052\CAD\Road\Sheet\sh-txs-Front.dgn		DRAWN -	RLA	REVISED -	
Default		CHECKED -	MGD	REVISED -	
		DATE -	6/20/19	REVISED -	
		PLOT SCALE =	20.0000' / in.		
		PLOT DATE =	6/17/2019		

**STATE OF ILLINOIS
DEPARTMENT OF TRANSPORTATION**

**FRONT STREET
CROSS SECTIONS**

SCALE: N/A SHEET 24 OF 40 SHEETS STA. 59+37.25 TO STA. 60+69.76

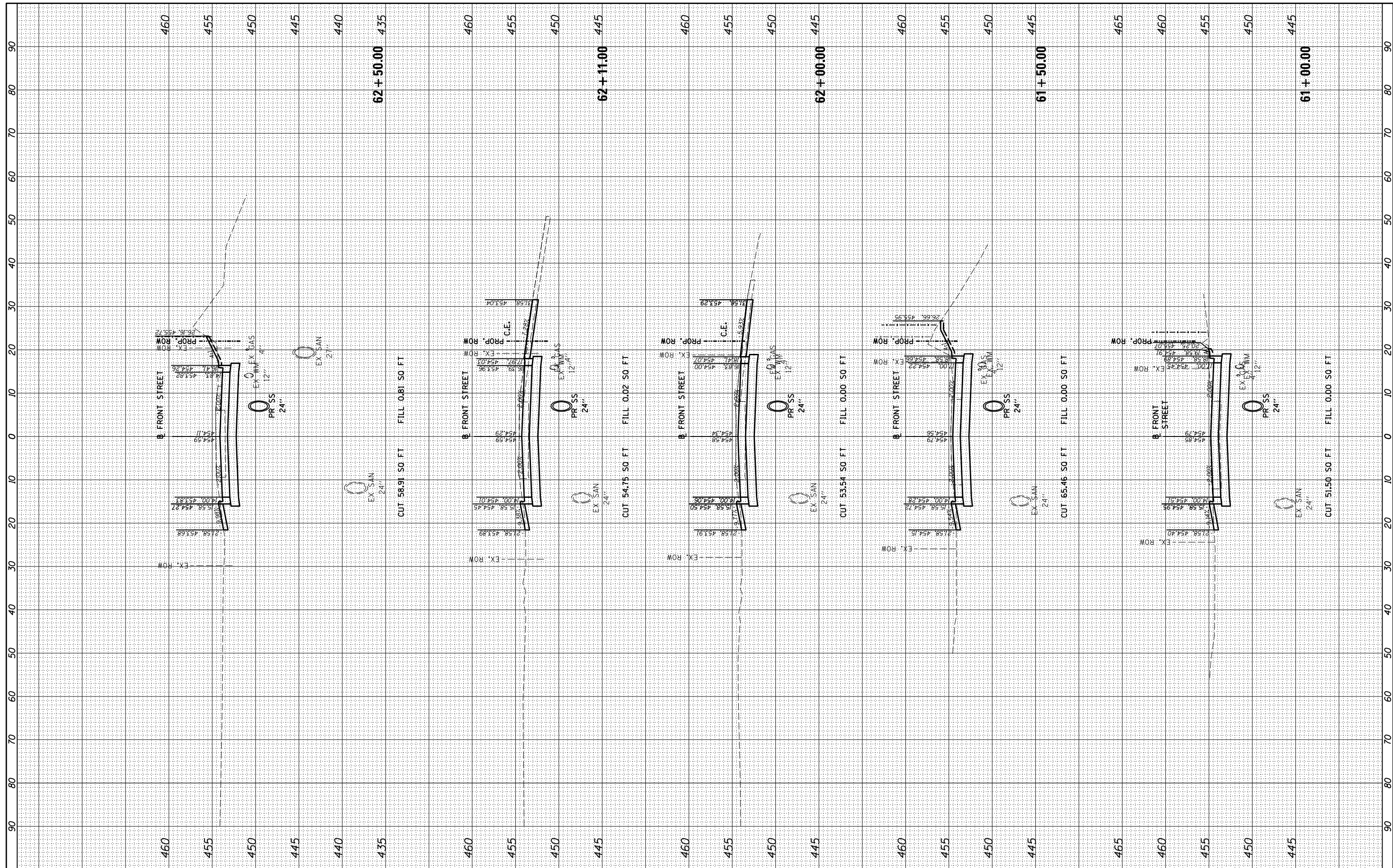
F.A. RTE.	SECTION	COUNTY	TOTAL SHEETS	SHEET NO.
	18-00188-00-RP	TAZEWELL	180	163
CONTRACT NO.89749				
ILLINOIS FED. AID PROJECT				

FINAL SURVEY	SURVEYED	BY	DATE
NO.	PLOTTED		
	TEMPLATE		
	AREAS CHECKED		



ORIGINAL SURVEY	SURVEYED	BY	DATE
NO.	PLOTTED		
	TEMPLATE		
	AREAS CHECKED		

LAYOUT	BAB	4/29/19
DRAWN	RLA	6/13/19
REVIEWED	MGD	6/13/19



FILE NAME = I:\12jobs\12L0052\CAD\Road\Sheet\sh-txs.Front.dgn
 USER NAME = Ander-00846
 PLOT SCALE = 20.0000' / in.
 PLOT DATE = 6/17/2019

DESIGNED	-	BAB	REVISED	-
DRAWN	-	RLA	REVISED	-
CHECKED	-	MGD	REVISED	-
DATE	-	6/20/19	REVISED	-

**STATE OF ILLINOIS
DEPARTMENT OF TRANSPORTATION**

**FRONT STREET
CROSS SECTIONS**

SCALE: N/A SHEET 25 OF 40 SHEETS STA. 61+00.00 TO STA. 62+50.00

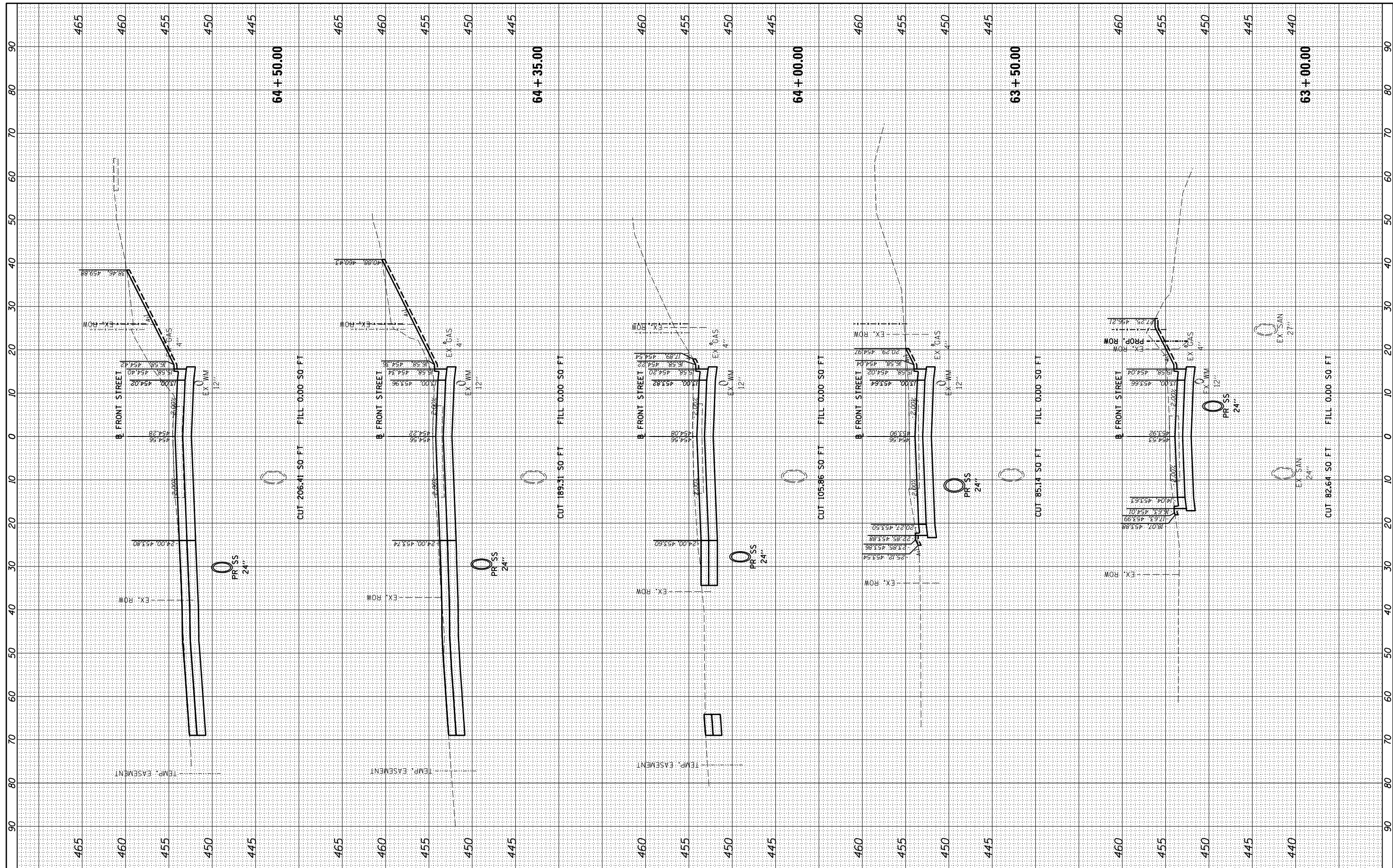
F.A. RTE.	SECTION	COUNTY	TOTAL SHEETS	SHEET NO.
	18-00188-00-RP	TAZEWELL	180	164
CONTRACT NO.89749				
ILLINOIS FED. AID PROJECT				

FINAL SURVEY NO.	SURVEYED PLOTTED TEMPLATE AREAS CHECKED	BY	DATE



ORIGINAL SURVEY NO.	SURVEYED PLOTTED TEMPLATE AREAS CHECKED	BY	DATE

LAYOUT DRAWN REVIEWED	BAB 4/29/19	RLA 6/13/19	MGD 6/13/19
-----------------------	-------------	-------------	-------------



FILE NAME =	USER NAME = Ander-00946	DESIGNED -	BAB	REVISED -	
I:\12jobs\12L0052\CAD\Road\Sheet\sh-txs-Front.dgn		DRAWN -	RLA	REVISED -	
Default		CHECKED -	MGD	REVISED -	
		DATE -	6/20/19	REVISED -	

**STATE OF ILLINOIS
DEPARTMENT OF TRANSPORTATION**

SCALE: N/A	SHEET 26 OF 40 SHEETS	STA. 63+00.00 TO STA. 64+50.00
------------	-----------------------	--------------------------------

**FRONT STREET
CROSS SECTIONS**

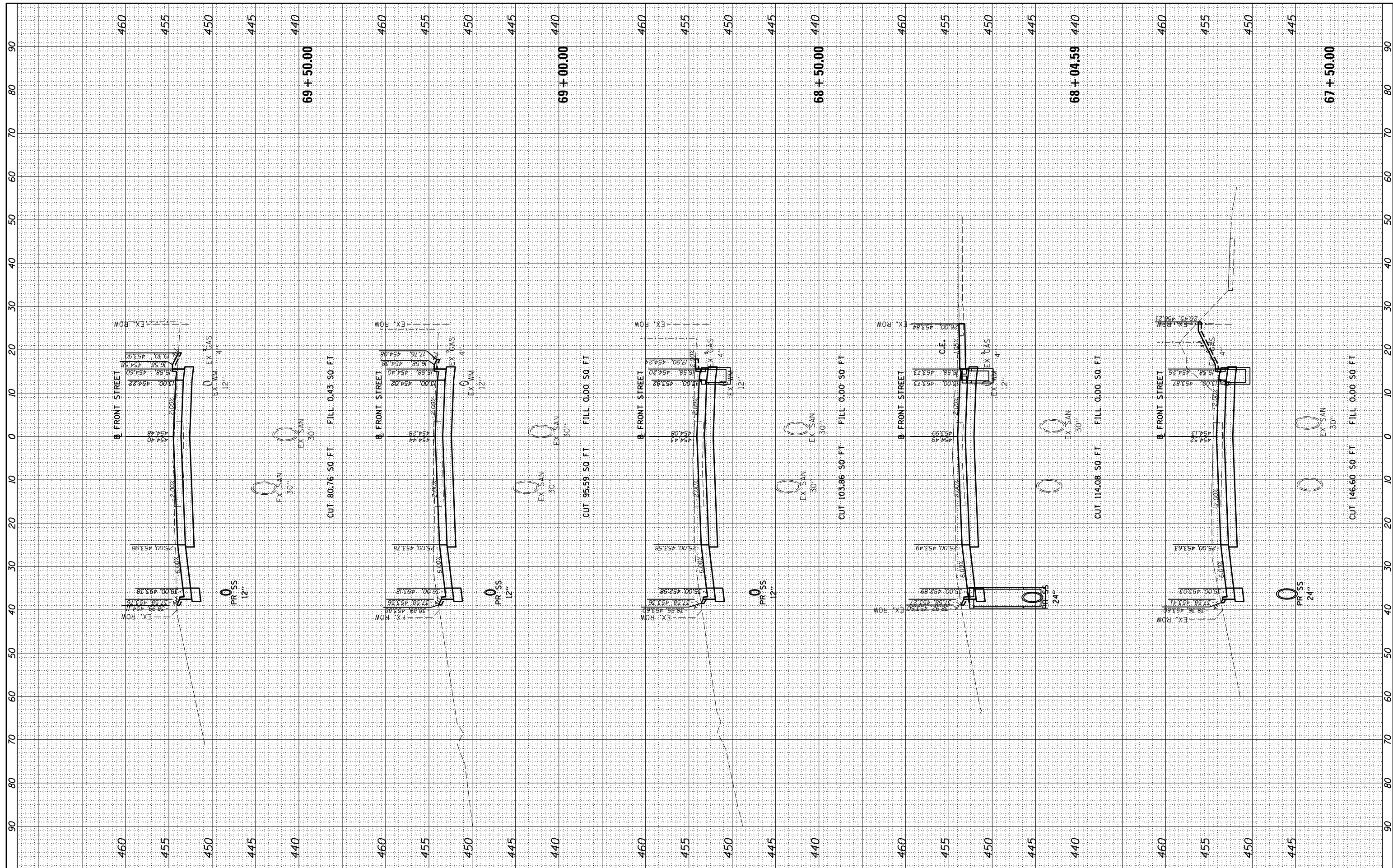
F.A. RTE.	SECTION	COUNTY	TOTAL SHEETS	SHEET NO.
	18-00188-00-RP	TAZEWELL	180	165
CONTRACT NO.89749				
ILLINOIS FED. AID PROJECT				

FINAL SURVEY NO.	
SURVEYED PLOTTED TEMPLATE AREAS CHECKED	
BY	
DATE	



ORIGINAL SURVEY NO.	
SURVEYED PLOTTED TEMPLATE AREAS CHECKED	
BY	
DATE	

LAYOUT DRAWN REVIEWED	BAB	4/29/19
	RLA	6/13/19
	MGD	6/13/19



FILE NAME = I:\12\jobs\12L0052\CAD\Road\Sheet\sh-txs-Front.dgn
 USER NAME = Ander-00846
 PLOT SCALE = 20.0000' / in.
 PLOT DATE = 6/17/2019

DESIGNED - BAB
 DRAWN - RLA
 CHECKED - MGD
 DATE - 6/20/19

REVISED -
 REVISED -
 REVISED -
 REVISED -

**STATE OF ILLINOIS
 DEPARTMENT OF TRANSPORTATION**

SCALE: N/A
 SHEET 28 OF 40 SHEETS
 STA. 67+50.00 TO STA. 69+50.00

**FRONT STREET
 CROSS SECTIONS**

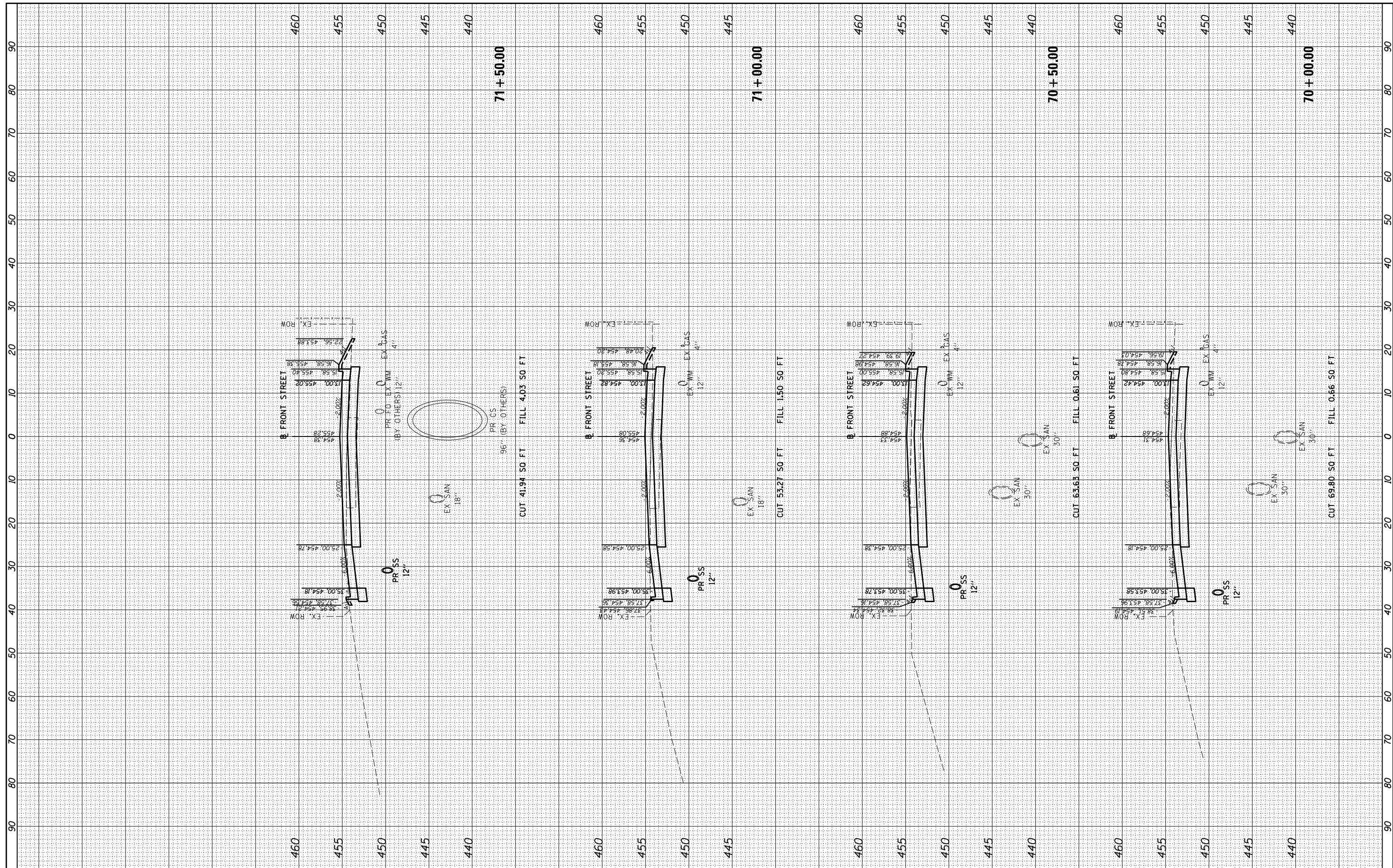
F.A. RTE.	SECTION	COUNTY	TOTAL SHEETS	SHEET NO.
	18-00188-00-RP	TAZEWELL	180	167
CONTRACT NO.89749				
ILLINOIS FED. AID PROJECT				

FINAL SURVEY	SURVEYED	BY	DATE
NO.	PLOTTED		
	TEMPLATE		
	AREAS CHECKED		



ORIGINAL SURVEY	SURVEYED	BY	DATE
NO.	PLOTTED		
	TEMPLATE		
	AREAS CHECKED		

LAYOUT	BAB	4/29/19
DRAWN	RLA	6/13/19
REVIEWED	MGD	6/13/19



FILE NAME = I:\12jobs\12L0052\CAD\Road\Sheet\sh-txs.Front.dgn
 USER NAME = Ander-00846
 PLOT SCALE = 20.0000' / in.
 PLOT DATE = 6/17/2019

DESIGNED	-	BAB	REVISED	-
DRAWN	-	RLA	REVISED	-
CHECKED	-	MGD	REVISED	-
DATE	-	6/20/19	REVISED	-

**STATE OF ILLINOIS
 DEPARTMENT OF TRANSPORTATION**

SCALE: N/A
 SHEET 29 OF 40 SHEETS
 STA. 70+00.00 TO STA. 71+50.00

**FRONT STREET
 CROSS SECTIONS**

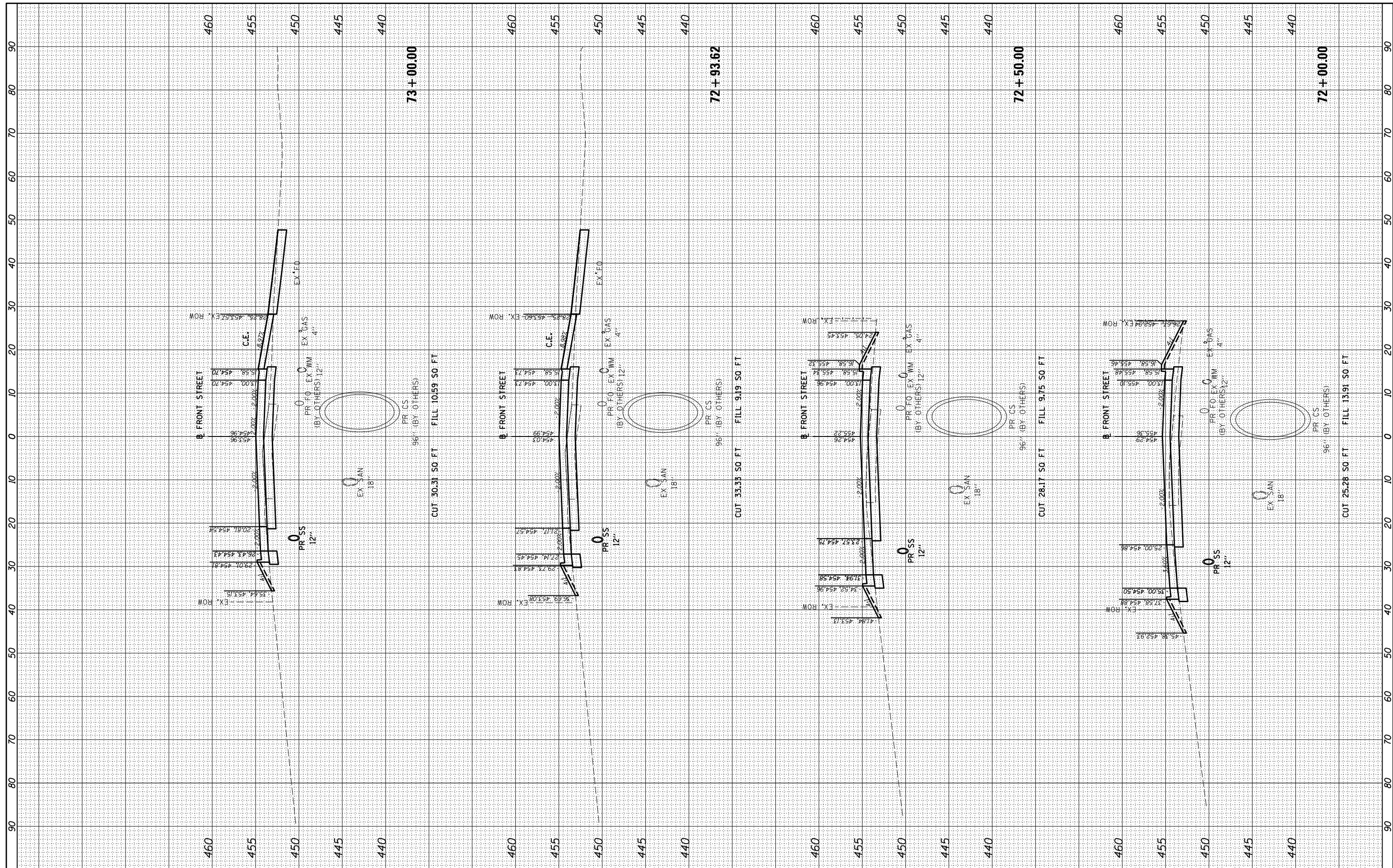
F.A. RTE.	SECTION	COUNTY	TOTAL SHEETS	SHEET NO.
	18-00188-00-RP	TAZEWELL	180	168
CONTRACT NO.89749				
ILLINOIS FED. AID PROJECT				

FINAL SURVEY	SURVEYED	BY	DATE
NOTE BOOK	PLOTTED		
NO.	TEMPLATE		
	AREAS CHECKED		



ORIGINAL SURVEY	SURVEYED	BY	DATE
NOTE BOOK	PLOTTED		
NO.	TEMPLATE		
	AREAS CHECKED		

LAYOUT	BAB	4/29/19
DRAWN	RLA	6/13/19
REVIEWED	MGD	6/13/19



FILE NAME = I:\12jobs\12L0052\CAD\Road\Sheet\sh-txs.Front.dgn
 USER NAME = Ander-00846
 PLOT SCALE = 20.0000' / in.
 PLOT DATE = 6/17/2019

DESIGNED	-	BAB	REVISED	-
DRAWN	-	RLA	REVISED	-
CHECKED	-	MGD	REVISED	-
DATE	-	6/20/19	REVISED	-

**STATE OF ILLINOIS
DEPARTMENT OF TRANSPORTATION**

**FRONT STREET
CROSS SECTIONS**

SCALE: N/A SHEET 30 OF 40 SHEETS STA. 72+00.00 TO STA. 73+00.00

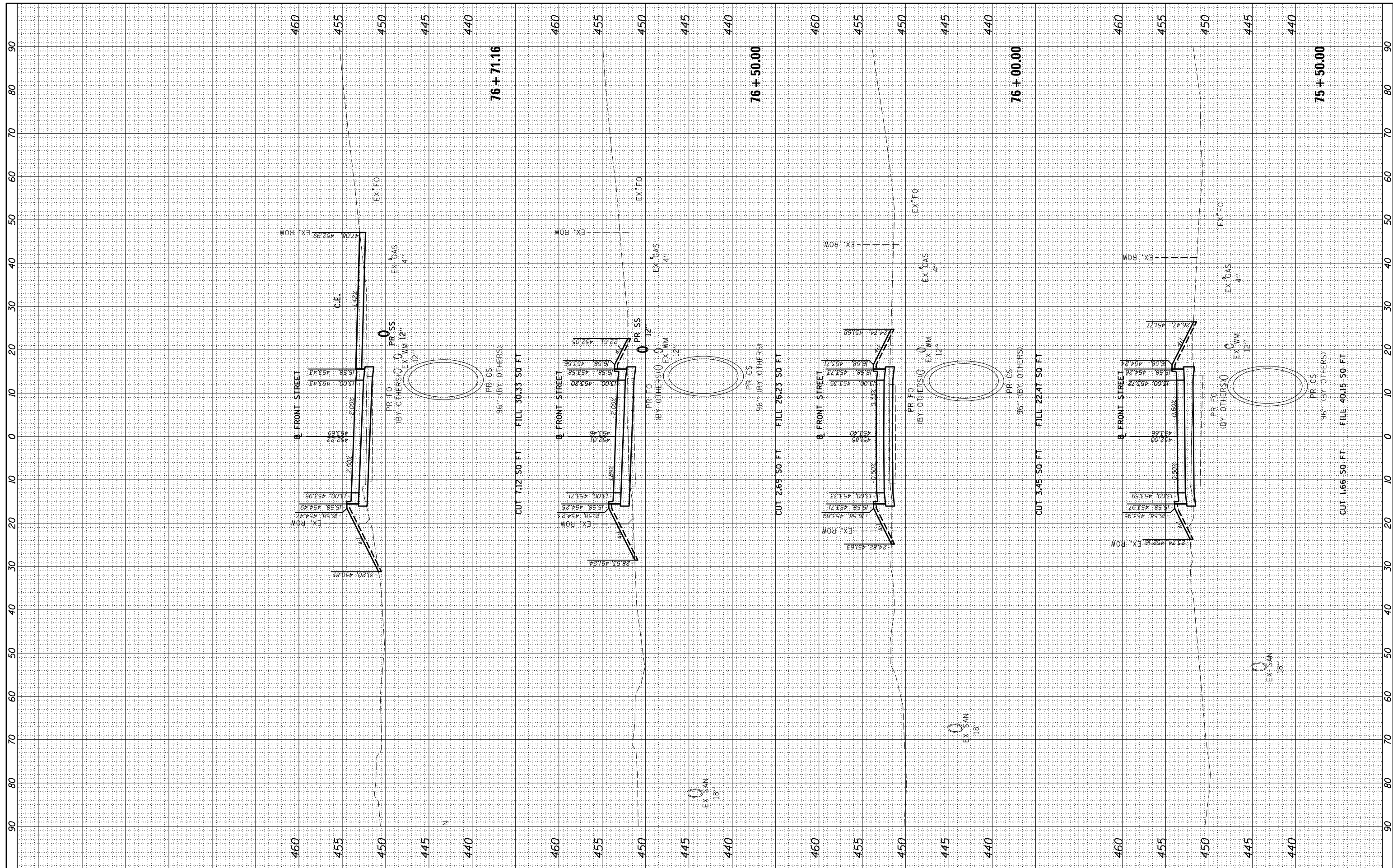
F.A. RTE.	SECTION	COUNTY	TOTAL SHEETS	SHEET NO.
	18-00188-00-RP	TAZEWELL	180	169
CONTRACT NO.89749				
ILLINOIS FED. AID PROJECT				

FINAL SURVEY NO.	SURVEYED PLOTTED TEMPLATE AREAS CHECKED	BY	DATE



ORIGINAL SURVEY NO.	SURVEYED PLOTTED TEMPLATE AREAS CHECKED	BY	DATE

LAYOUT DRAWN REVIEWED	BAB RLA MGD	4/29/19 6/13/19 6/13/19
-----------------------	-------------	-------------------------



FILE NAME = I:\12jobs\12L0052\CAD\Road\Sheet\sh-txs.Front.dgn
 USER NAME = Ander-00846
 PLOT SCALE = 20.0000' / in.
 PLOT DATE = 6/17/2019

DESIGNED -	BAB	REVISIONS	-
DRAWN -	RLA	REVISIONS	-
CHECKED -	MGD	REVISIONS	-
DATE -	6/20/19	REVISIONS	-

**STATE OF ILLINOIS
DEPARTMENT OF TRANSPORTATION**

**FRONT STREET
CROSS SECTIONS**

SCALE: N/A SHEET 32 OF 40 SHEETS STA. 75+50.00 TO STA. 76+71.16

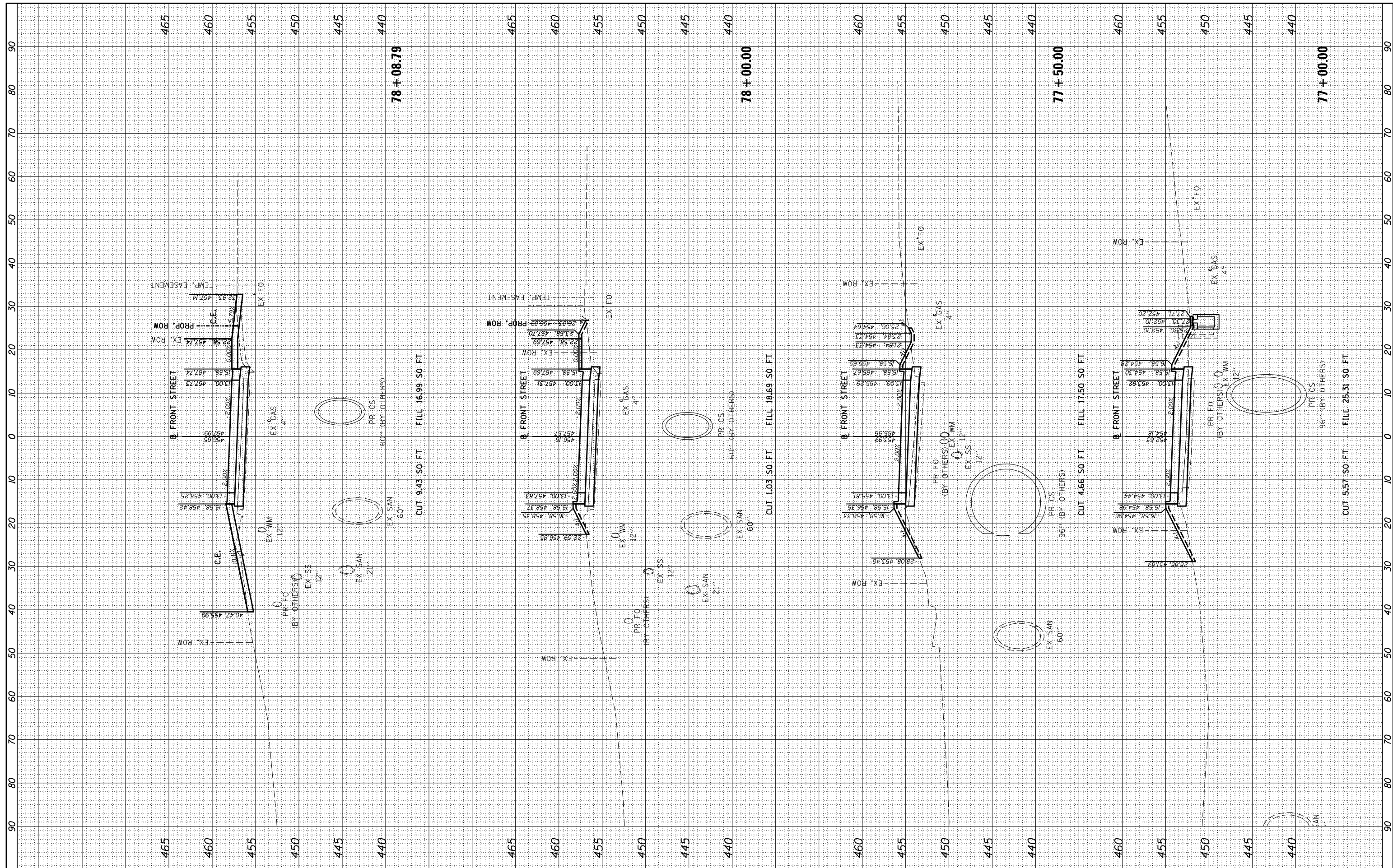
F.A. RTE.	SECTION	COUNTY	TOTAL SHEETS	SHEET NO.
	18-00188-00-RP	TAZEWELL	180	171
CONTRACT NO.89749				
ILLINOIS FED. AID PROJECT				

FINAL SURVEY	SURVEYED	BY	DATE
NO.	PLOTTED		
	TEMPLATE		
	AREAS CHECKED		



ORIGINAL SURVEY	SURVEYED	BY	DATE
NO.	PLOTTED		
	TEMPLATE		
	AREAS CHECKED		

LAYOUT	BAB	4/29/19
DRAWN	RLA	6/13/19
REVIEWED	MGD	6/13/19



FILE NAME =	USER NAME = Ander-00846
I:\12jobs\12L0052\CAD\Road\Sheet\sh-txs.Front.dgn	DESIGNED - BAB
Default	DRAWN - RLA
	CHECKED - MGD
	DATE - 6/20/19

REVISIONS	REVISIONS
REVISED -	REVISED -
REVISED -	REVISED -
REVISED -	REVISED -
REVISED -	REVISED -

STATE OF ILLINOIS DEPARTMENT OF TRANSPORTATION	
FRONT STREET CROSS SECTIONS	
SCALE: N/A	SHEET 33 OF 40 SHEETS
STA. 77+00.00 TO STA. 78+08.79	

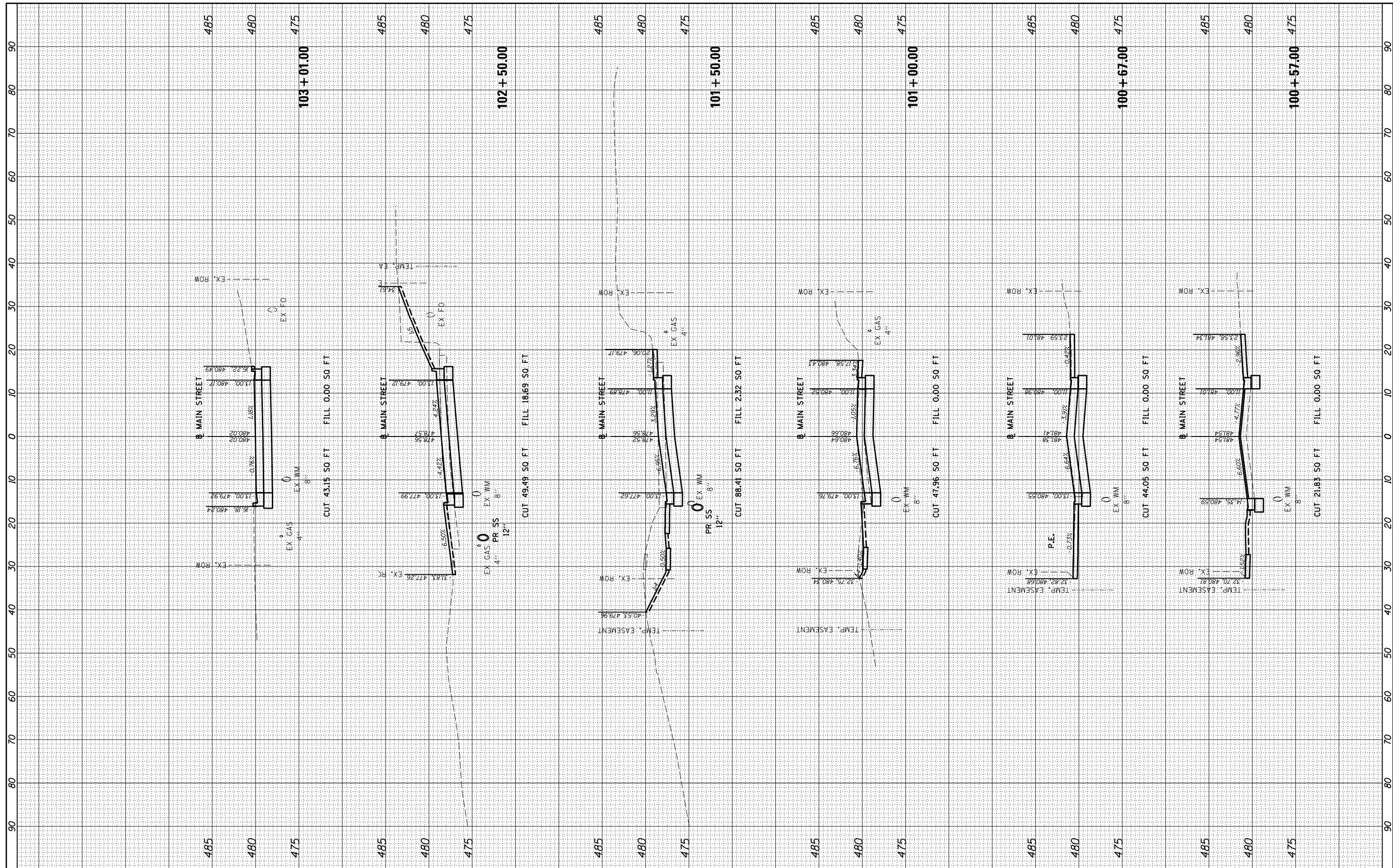
F.A. RTE.	SECTION	COUNTY	TOTAL SHEETS	SHEET NO.
	18-00188-00-RP	TAZEWELL	180	172
CONTRACT NO.89749				
ILLINOIS FED. AID PROJECT				

FINAL SURVEY	SURVEYED	BY	DATE
NOTE BOOK	PLOTTED		
NO.	TEMPLATE		
	AREAS		
	CHECKED		



ORIGINAL SURVEY	SURVEYED	BY	DATE
NOTE BOOK	PLOTTED		
NO.	TEMPLATE		
	AREAS		
	CHECKED		

LAYOUT	BAB	4/29/19
DRAWN	RLA	6/13/19
REVIEWED	MGD	6/13/19



FILE NAME = I:\12jobs\12L0052\CAD\Road\Sheet\sh-txs_Main.dgn

USER NAME = Ander-00846

DESIGNED - BAB
DRAWN - RLA
CHECKED - MGD
DATE - 6/20/19

REVISED -
REVISED -
REVISED -
REVISED -

STATE OF ILLINOIS
DEPARTMENT OF TRANSPORTATION

SCALE: N/A SHEET 1 OF 1 SHEETS STA. 100+57.00 TO STA. 103+01.00

MAIN STREET
CROSS SECTIONS

F.A. RTE.	SECTION	COUNTY	TOTAL SHEETS	SHEET NO.
	18-00188-00-RP	TAZEWELL	180	180
CONTRACT NO.89749				
ILLINOIS FED. AID PROJECT				