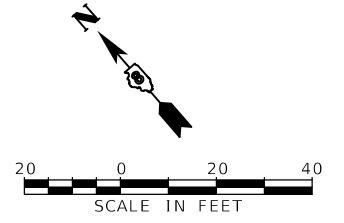
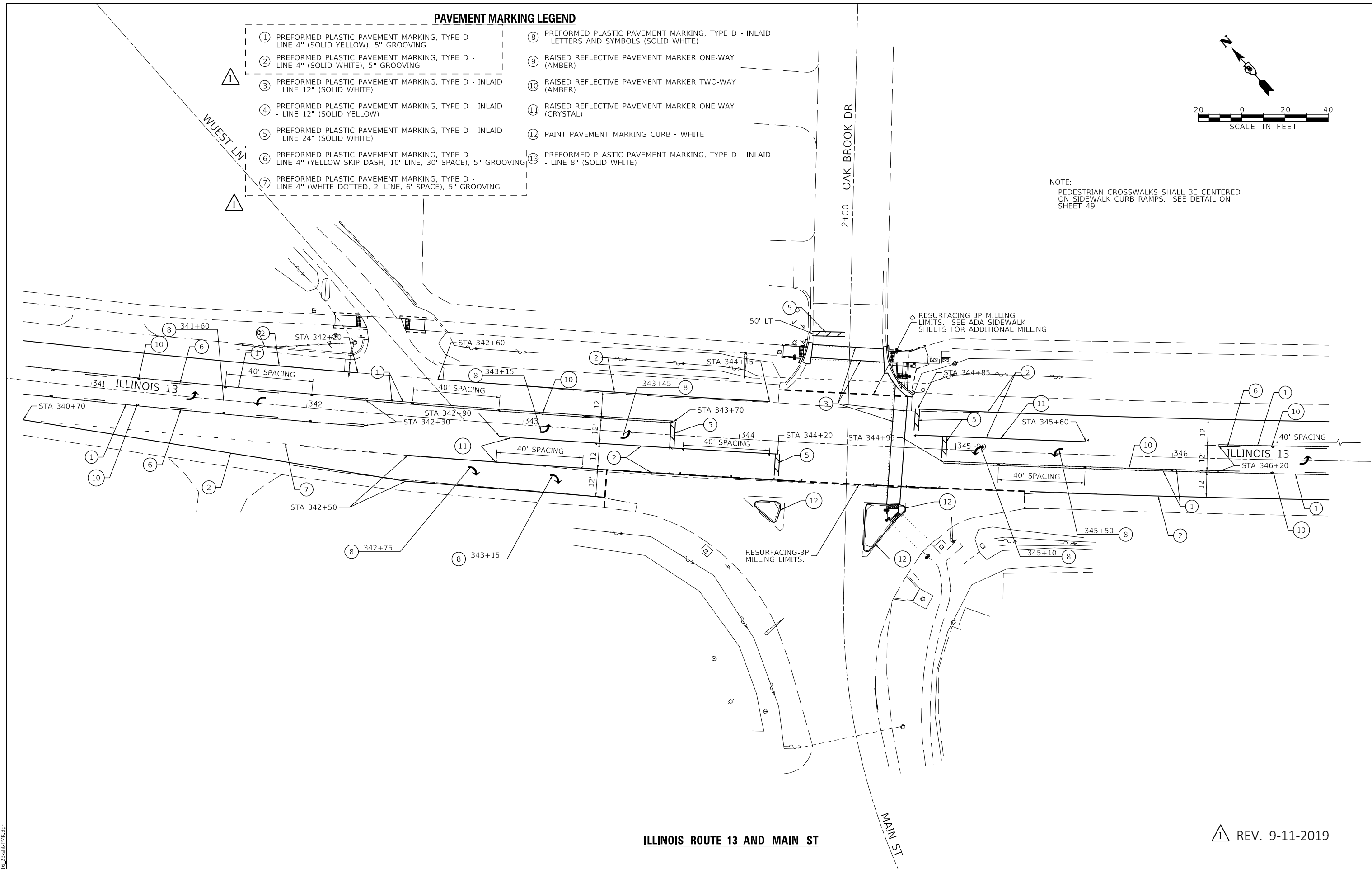


PAVEMENT MARKING LEGEND

- | | |
|---|---|
| ① PREFORMED PLASTIC PAVEMENT MARKING, TYPE D - LINE 4" (SOLID YELLOW), 5" GROOVING | ⑧ PREFORMED PLASTIC PAVEMENT MARKING, TYPE D - INLAID - LETTERS AND SYMBOLS (SOLID WHITE) |
| ② PREFORMED PLASTIC PAVEMENT MARKING, TYPE D - LINE 4" (SOLID WHITE), 5" GROOVING | ⑨ RAISED REFLECTIVE PAVEMENT MARKER ONE-WAY (AMBER) |
| ③ PREFORMED PLASTIC PAVEMENT MARKING, TYPE D - INLAID - LINE 12" (SOLID WHITE) | ⑩ RAISED REFLECTIVE PAVEMENT MARKER TWO-WAY (AMBER) |
| ④ PREFORMED PLASTIC PAVEMENT MARKING, TYPE D - INLAID - LINE 12" (SOLID YELLOW) | ⑪ RAISED REFLECTIVE PAVEMENT MARKER ONE-WAY (CRYSTAL) |
| ⑤ PREFORMED PLASTIC PAVEMENT MARKING, TYPE D - INLAID - LINE 24" (SOLID WHITE) | ⑫ PAINT PAVEMENT MARKING CURB - WHITE |
| ⑥ PREFORMED PLASTIC PAVEMENT MARKING, TYPE D - LINE 4" (YELLOW SKIP DASH, 10' LINE, 30' SPACE), 5" GROOVING | ⑬ PREFORMED PLASTIC PAVEMENT MARKING, TYPE D - INLAID - LINE 8" (SOLID WHITE) |
| ⑦ PREFORMED PLASTIC PAVEMENT MARKING, TYPE D - LINE 4" (WHITE DOTTED, 2' LINE, 6' SPACE), 5" GROOVING | |



NOTE:
PEDESTRIAN CROSSWALKS SHALL BE CENTERED ON SIDEWALK CURB RAMPS. SEE DETAIL ON SHEET 49



ILLINOIS ROUTE 13 AND MAIN ST

△ REV. 9-11-2019

MODEL: D:\p16\16_23-24c-PRK.dgn
FILE NAME: 76J16_23-24c-PRK.dgn

USER NAME = tcloutier	DESIGNED - SCA-14	REVISED - 1	9/10/2019 T.W.C.
DRAWN - SCB-14	CHECKED - SCC-14	REVISED -	
PLOT SCALE = 40.0000 ' / in.	DATE - 9/10/2019	REVISED -	
PLOT DATE = 9/10/2019			

**STATE OF ILLINOIS
DEPARTMENT OF TRANSPORTATION**

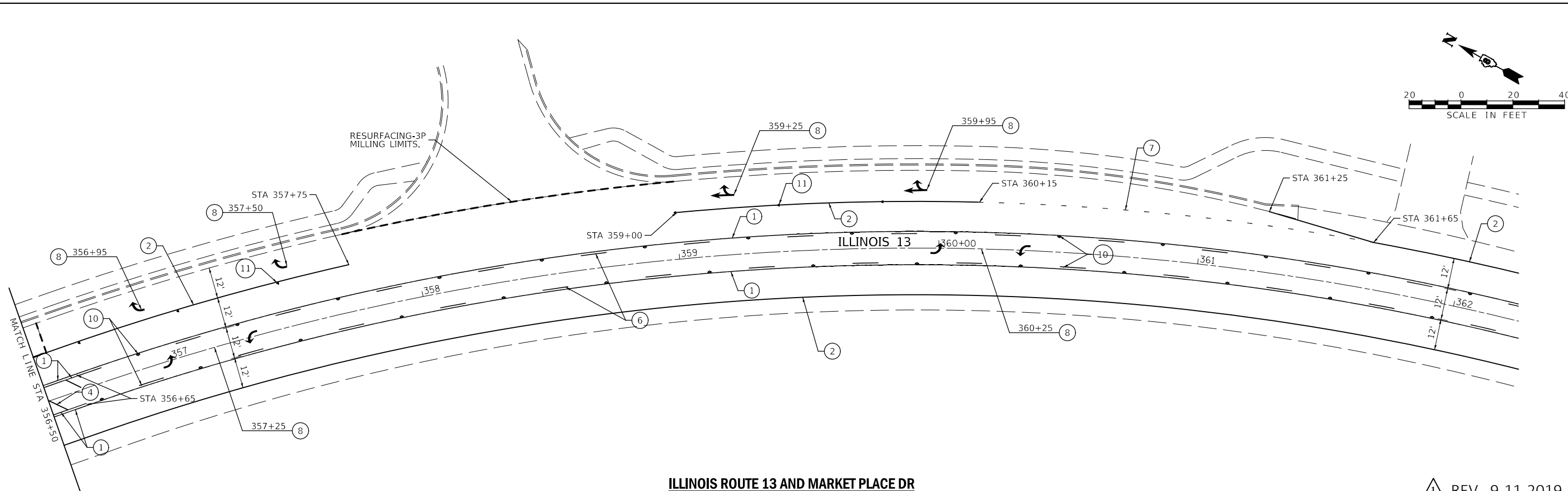
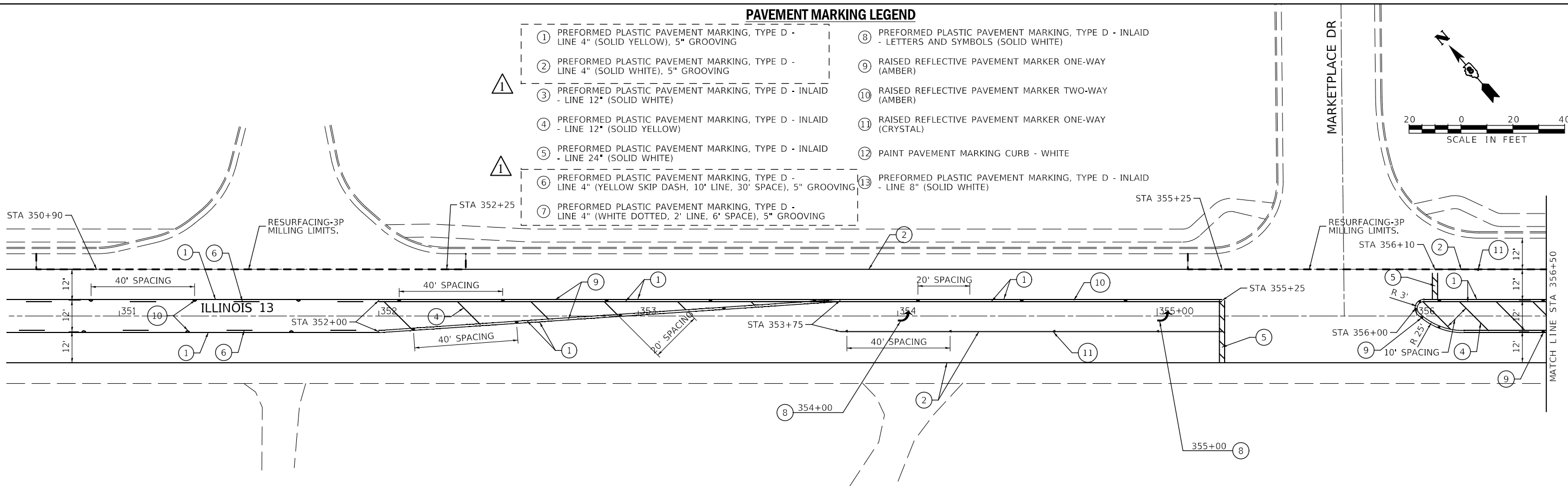
**PAVEMENT MARKING DETAILS
ILLINOIS ROUTE 13 AND MAIN ST**

SCALE: 40.0000 ' / in. SHEET 1 OF 5 SHEETS STA. TO STA.

F.A.P. RTE.	SECTION	COUNTY	TOTAL SHEETS	SHEET NO.
103	(27,25,38,56)RS	ST. CLAIR	87	46
CONTRACT NO. 76J16				
ILLINOIS FED. AID PROJECT				

PAVEMENT MARKING LEGEND

- ① PREFORMED PLASTIC PAVEMENT MARKING, TYPE D - LINE 4" (SOLID YELLOW), 5" GROOVING
- ② PREFORMED PLASTIC PAVEMENT MARKING, TYPE D - LINE 4" (SOLID WHITE), 5" GROOVING
- ③ PREFORMED PLASTIC PAVEMENT MARKING, TYPE D - INLAID - LINE 12" (SOLID WHITE)
- ④ PREFORMED PLASTIC PAVEMENT MARKING, TYPE D - INLAID - LINE 12" (SOLID YELLOW)
- ⑤ PREFORMED PLASTIC PAVEMENT MARKING, TYPE D - INLAID - LINE 24" (SOLID WHITE)
- ⑥ PREFORMED PLASTIC PAVEMENT MARKING, TYPE D - LINE 4" (YELLOW SKIP DASH, 10' LINE, 30' SPACE), 5" GROOVING
- ⑦ PREFORMED PLASTIC PAVEMENT MARKING, TYPE D - LINE 4" (WHITE DOTTED, 2' LINE, 6' SPACE), 5" GROOVING
- ⑧ PREFORMED PLASTIC PAVEMENT MARKING, TYPE D - INLAID - LETTERS AND SYMBOLS (SOLID WHITE)
- ⑨ RAISED REFLECTIVE PAVEMENT MARKER ONE-WAY (AMBER)
- ⑩ RAISED REFLECTIVE PAVEMENT MARKER TWO-WAY (AMBER)
- ⑪ RAISED REFLECTIVE PAVEMENT MARKER ONE-WAY (CRYSTAL)
- ⑫ PAINT PAVEMENT MARKING CURB - WHITE
- ⑬ PREFORMED PLASTIC PAVEMENT MARKING, TYPE D - INLAID - LINE 8" (SOLID WHITE)



ILLINOIS ROUTE 13 AND MARKET PLACE DR

REV. 9-11-2019

MODEL: D:\m16\16_24-2019\PMK.dgn

USER NAME = tcloutier	DESIGNED - SCA-15	REVISED - 1 9/10/2019 T.W.C.
DRAWN - SCB-15	CHECKED - SCC-15	REVISED -
PLOT SCALE = 40,0000 ' / in.	DATE - 9/10/2019	REVISED -
PLOT DATE = 9/10/2019		

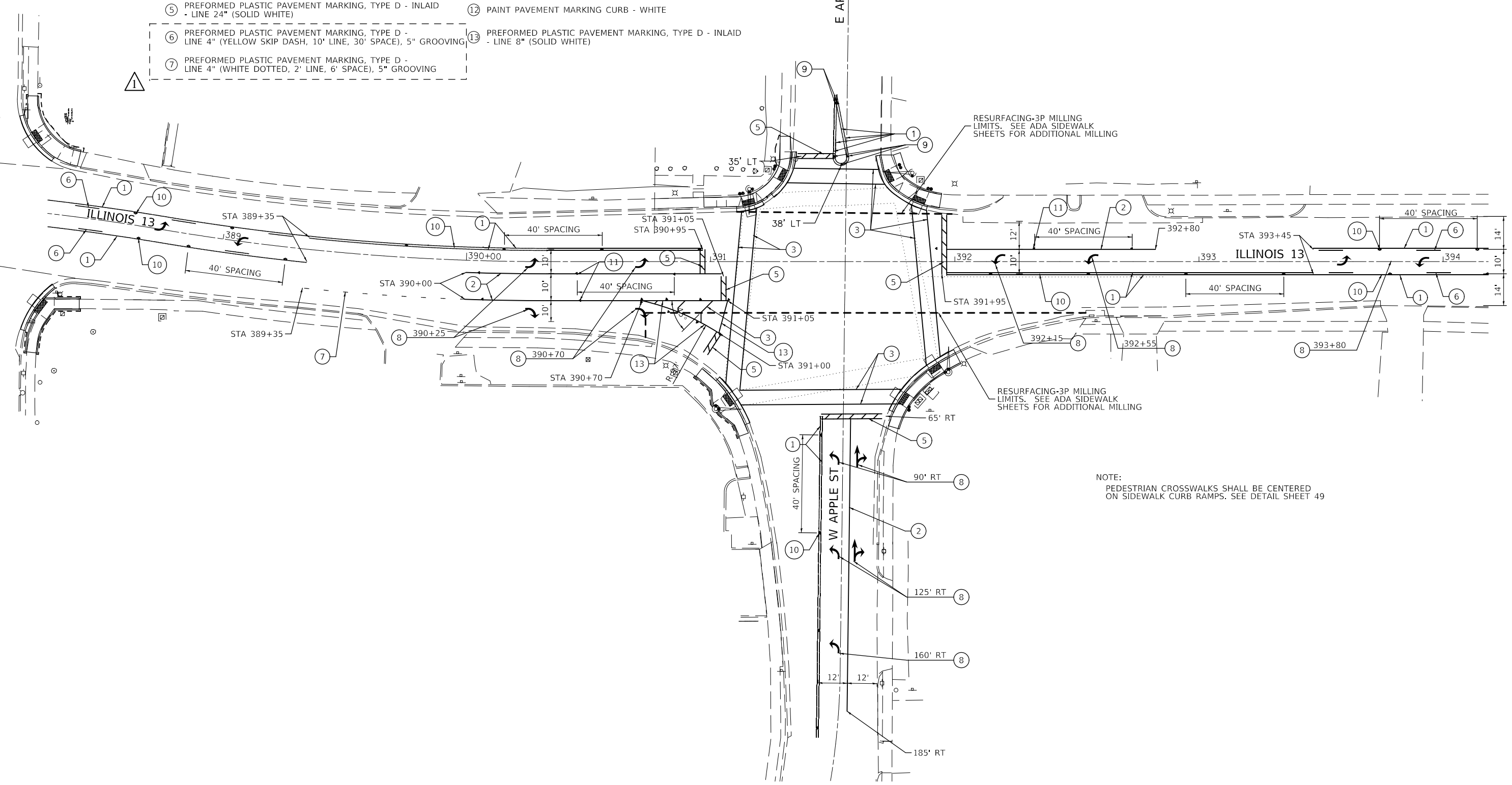
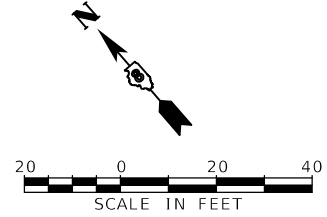
**STATE OF ILLINOIS
DEPARTMENT OF TRANSPORTATION**

PAVEMENT MARKING DETAILS			
ILLINOIS ROUTE 13 AND MARKET PLACE DR			
SCALE: 40,0000 ' / in.	SHEET 2 OF 5 SHEETS	STA.	TO STA.

F.A.P. RTE.	SECTION	COUNTY	TOTAL SHEETS	SHEET NO.
103	(27,25,38,56)RS	ST. CLAIR	87	47
CONTRACT NO. 76J16				
ILLINOIS		FED. AID PROJECT		

PAVEMENT MARKING LEGEND

- | | |
|---|---|
| <p>① PREFORMED PLASTIC PAVEMENT MARKING, TYPE D - LINE 4" (SOLID YELLOW), 5" GROOVING</p> <p>② PREFORMED PLASTIC PAVEMENT MARKING, TYPE D - LINE 4" (SOLID WHITE), 5" GROOVING</p> <p>③ PREFORMED PLASTIC PAVEMENT MARKING, TYPE D - INLAID - LINE 12" (SOLID WHITE)</p> <p>④ PREFORMED PLASTIC PAVEMENT MARKING, TYPE D - INLAID - LINE 12" (SOLID YELLOW)</p> <p>⑤ PREFORMED PLASTIC PAVEMENT MARKING, TYPE D - INLAID - LINE 24" (SOLID WHITE)</p> <p>⑥ PREFORMED PLASTIC PAVEMENT MARKING, TYPE D - LINE 4" (YELLOW SKIP DASH, 10' LINE, 30' SPACE), 5" GROOVING</p> <p>⑦ PREFORMED PLASTIC PAVEMENT MARKING, TYPE D - LINE 4" (WHITE DOTTED, 2' LINE, 6' SPACE), 5" GROOVING</p> | <p>⑧ PREFORMED PLASTIC PAVEMENT MARKING, TYPE D - INLAID - LETTERS AND SYMBOLS (SOLID WHITE)</p> <p>⑨ RAISED REFLECTIVE PAVEMENT MARKER ONE-WAY (AMBER)</p> <p>⑩ RAISED REFLECTIVE PAVEMENT MARKER TWO-WAY (AMBER)</p> <p>⑪ RAISED REFLECTIVE PAVEMENT MARKER ONE-WAY (CRYSTAL)</p> <p>⑫ PAINT PAVEMENT MARKING CURB - WHITE</p> <p>⑬ PREFORMED PLASTIC PAVEMENT MARKING, TYPE D - INLAID - LINE 8" (SOLID WHITE)</p> |
|---|---|



NOTE:
PEDESTRIAN CROSSWALKS SHALL BE CENTERED ON SIDEWALK CURB RAMPS. SEE DETAIL SHEET 49

ILLINOIS ROUTE 13 AND APPLE ST

REV. 9-11-2019

MODEL: D:\pml\16_25-rt-PMK.dgn

USER NAME = tcloutier	DESIGNED - SCA-17	REVISED - 1 9/10/2019 T.W.C.
DRAWN - SCB-17	CHECKED - SCC-17	REVISED -
PLOT SCALE = 40,0000 ' / in.	DATE - 9/10/2019	REVISED -
PLOT DATE = 9/10/2019		

**STATE OF ILLINOIS
DEPARTMENT OF TRANSPORTATION**

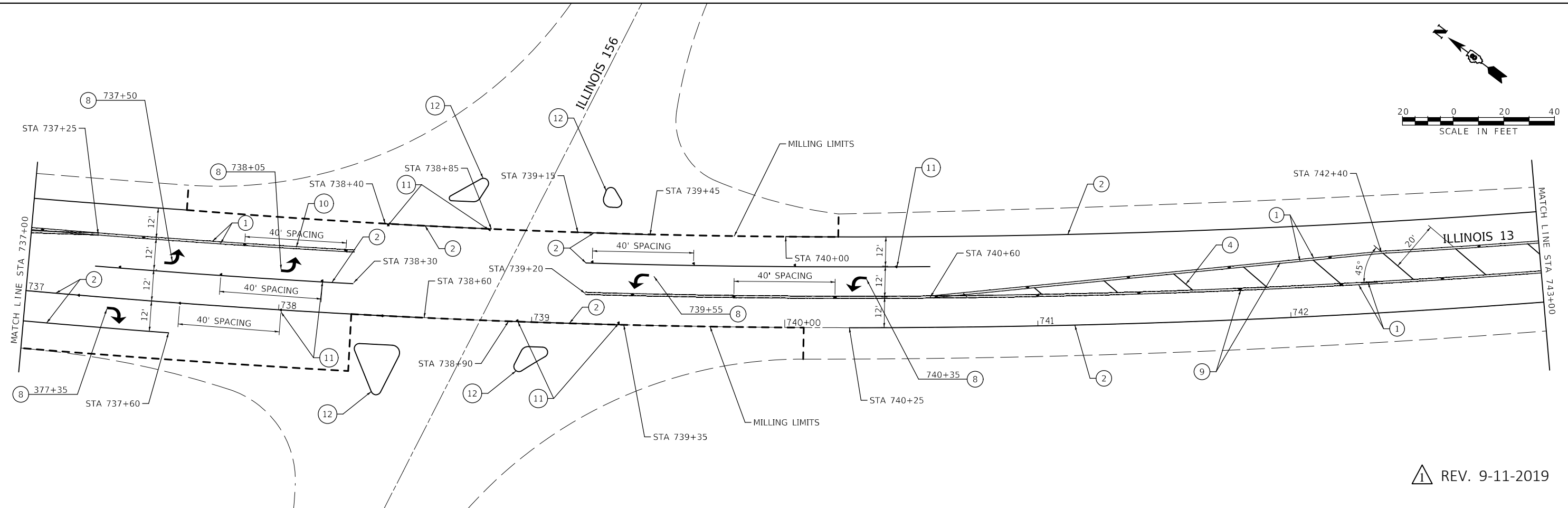
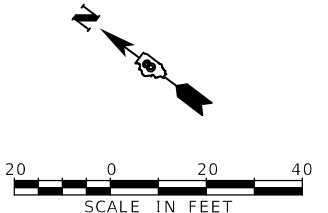
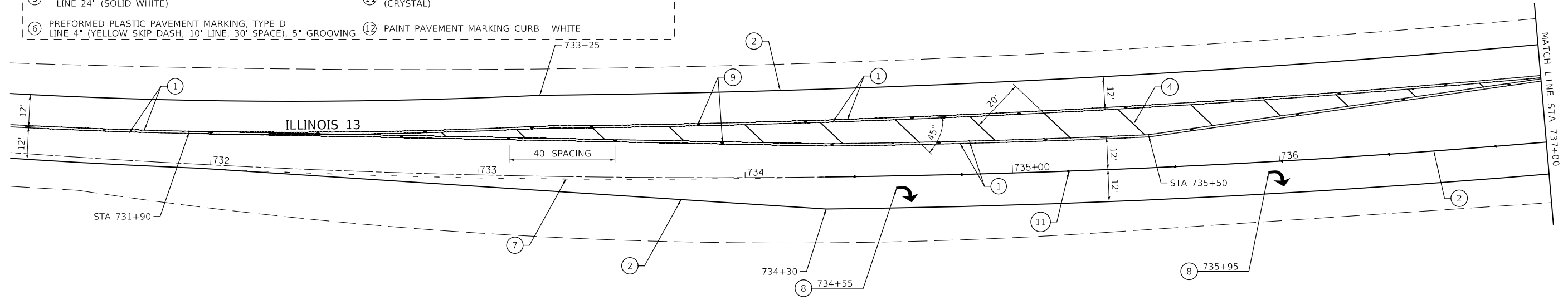
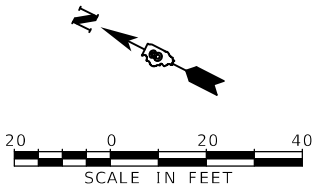
**PAVEMENT MARKING DETAILS
ILLINOIS ROUTE 13 AND APPLE ST**

SCALE: 40,0000 ' / in. SHEET 3 OF 5 SHEETS STA. TO STA.

F.A.P. RTE.	SECTION	COUNTY	TOTAL SHEETS	SHEET NO.
103	(27,25,38,56)RS	ST. CLAIR	87	48
CONTRACT NO. 76J16				
ILLINOIS FED. AID PROJECT				

PAVEMENT MARKING LEGEND

- | | |
|---|---|
| ① PREFORMED PLASTIC PAVEMENT MARKING, TYPE D - LINE 4" (SOLID YELLOW), 5" GROOVING | ⑦ PREFORMED PLASTIC PAVEMENT MARKING, TYPE D - LINE 4" (WHITE DOTTED, 2' LINE, 6' SPACE), 5" GROOVING |
| ② PREFORMED PLASTIC PAVEMENT MARKING, TYPE D - LINE 4" (SOLID WHITE), 5" GROOVING | ⑧ PREFORMED PLASTIC PAVEMENT MARKING, TYPE D - INLAID - LETTERS AND SYMBOLS (SOLID WHITE) |
| ③ PREFORMED PLASTIC PAVEMENT MARKING, TYPE D - INLAID - LINE 12" (SOLID WHITE) | ⑨ RAISED REFLECTIVE PAVEMENT MARKER ONE-WAY (AMBER) |
| ④ PREFORMED PLASTIC PAVEMENT MARKING, TYPE D - INLAID - LINE 12" (SOLID YELLOW) | ⑩ RAISED REFLECTIVE PAVEMENT MARKER TWO-WAY (AMBER) |
| ⑤ PREFORMED PLASTIC PAVEMENT MARKING, TYPE D - INLAID - LINE 24" (SOLID WHITE) | ⑪ RAISED REFLECTIVE PAVEMENT MARKER ONE-WAY (CRYSTAL) |
| ⑥ PREFORMED PLASTIC PAVEMENT MARKING, TYPE D - LINE 4" (YELLOW SKIP DASH, 10' LINE, 30' SPACE), 5" GROOVING | ⑫ PAINT PAVEMENT MARKING CURB - WHITE |



△ REV. 9-11-2019

MODEL: D:\m\116_26-2019-PMK.dgn

USER NAME = tcloutier	DESIGNED - SCA-18	REVISED - 1 9/10/2019 T.W.C.
DRAWN - SCB-18	CHECKED - SCC-18	REVISED -
PLOT SCALE = 40,0000 ' / in.	DATE - 9/10/2019	REVISED -
PLOT DATE = 9/10/2019		

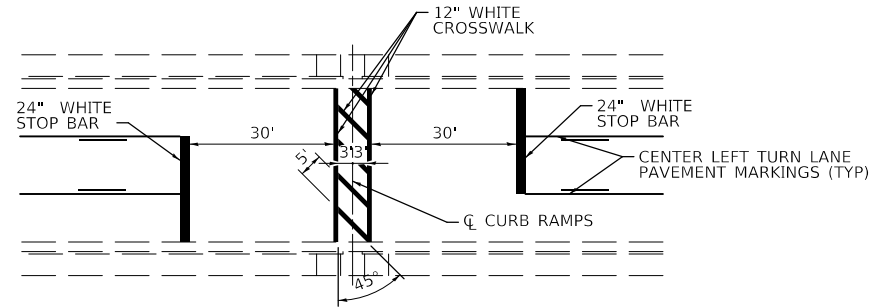
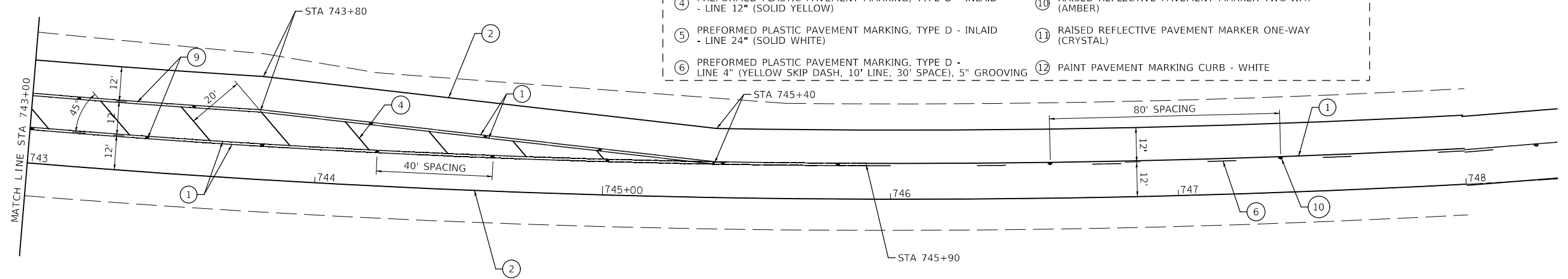
**STATE OF ILLINOIS
DEPARTMENT OF TRANSPORTATION**

PAVEMENT MARKING DETAILS	
ILLINOIS ROUTE 13 AND ILLINOIS ROUTE 156	
SCALE: 40,0000 ' / in.	SHEET 4 OF 5 SHEETS STA. TO STA.

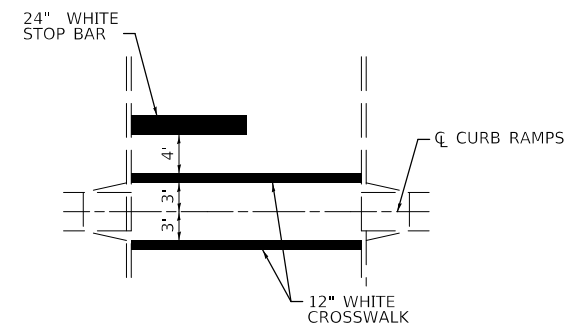
F.A.P. RTE.	SECTION	COUNTY	TOTAL SHEETS	SHEET NO.
103	(27,25,38,56)RS	ST. CLAIR	87	49
CONTRACT NO. 76J16				
ILLINOIS FED. AID PROJECT				

PAVEMENT MARKING LEGEND

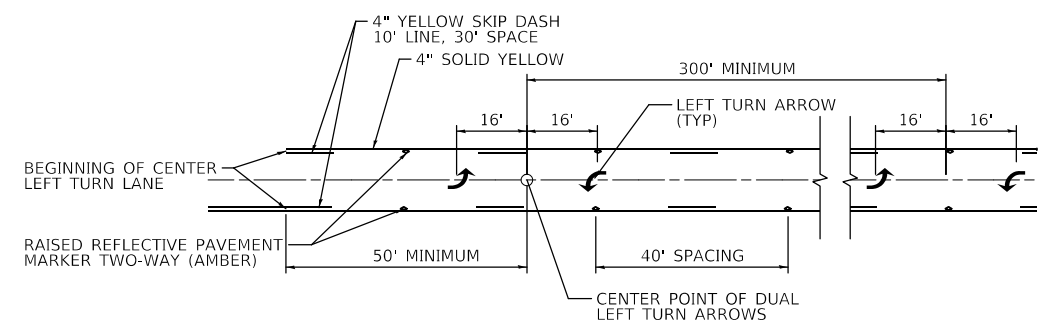
- | | |
|---|---|
| ① PREFORMED PLASTIC PAVEMENT MARKING, TYPE D - LINE 4" (SOLID YELLOW), 5" GROOVING | ⑦ PREFORMED PLASTIC PAVEMENT MARKING, TYPE D - LINE 4" (WHITE DOTTED, 2' LINE, 6' SPACE), 5" GROOVING |
| ② PREFORMED PLASTIC PAVEMENT MARKING, TYPE D - LINE 4" (SOLID WHITE), 5" GROOVING | ⑧ PREFORMED PLASTIC PAVEMENT MARKING, TYPE D - INLAID - LETTERS AND SYMBOLS (SOLID WHITE) |
| ③ PREFORMED PLASTIC PAVEMENT MARKING, TYPE D - INLAID - LINE 12" (SOLID WHITE) | ⑨ RAISED REFLECTIVE PAVEMENT MARKER ONE-WAY (AMBER) |
| ④ PREFORMED PLASTIC PAVEMENT MARKING, TYPE D - INLAID - LINE 12" (SOLID YELLOW) | ⑩ RAISED REFLECTIVE PAVEMENT MARKER TWO-WAY (AMBER) |
| ⑤ PREFORMED PLASTIC PAVEMENT MARKING, TYPE D - INLAID - LINE 24" (SOLID WHITE) | ⑪ RAISED REFLECTIVE PAVEMENT MARKER ONE-WAY (CRYSTAL) |
| ⑥ PREFORMED PLASTIC PAVEMENT MARKING, TYPE D - LINE 4" (YELLOW SKIP DASH, 10' LINE, 30' SPACE), 5" GROOVING | ⑫ PAINT PAVEMENT MARKING CURB - WHITE |



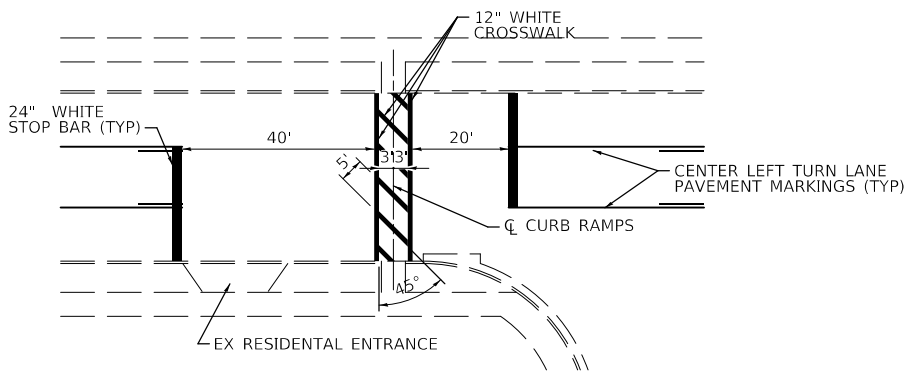
MID BLOCK CROSSING PAVEMENT MARKING DETAIL STA 379+40



PEDESTRIAN CROSSWALK DETAIL



CENTER LEFT TURN LANE MARKING DETAIL



MID BLOCK CROSSING PAVEMENT MARKING DETAIL STA 400+50

REV. 9-11-2019

MODEL: Default
FILE NAME: 76J16 77-Sub-PAK.dgn

USER NAME = tcloutier	DESIGNED - SCA-20	REVISED - 1 9/10/2019 T.W.C.
DRAWN - SCB-20	CHECKED - SCC-20	REVISED -
PLOT SCALE = 40,0000 ' / in.	DATE - 9/10/2019	REVISED -
PLOT DATE = 9/10/2019		

**STATE OF ILLINOIS
DEPARTMENT OF TRANSPORTATION**

PAVEMENT MARKING DETAILS	
ILLINOIS ROUTE 13 AND ILLINOIS ROUTE 157	
SCALE: 40,0000 ' / in.	SHEET 5 OF 5 SHEETS STA. TO STA.

F.A.P. RTE.	SECTION	COUNTY	TOTAL SHEETS	SHEET NO.
103	(27,25,38,56)RS	ST. CLAIR	87	50
CONTRACT NO. 76J16				
ILLINOIS FED. AID PROJECT				