
**ROADWAY GEOTECHNICAL REPORT
INTERSTATE 80 AND INTERSTATE 55
INTERCHANGE IMPROVEMENTS
WILL COUNTY, ILLINOIS**

**For
Stantec
350 North Orleans Street, Suite 1301
Chicago IL 60654**

**Submitted by
Wang Engineering, Inc. a Terracon Company
1145 North Main Street
Lombard, IL 60148**

**Original Report: January 18, 2024
Revised Report: May 06, 2024**

Technical Report Documentation Page

1. Title and Subtitle Roadway Geotechnical Report Interstate 80 and Interstate 55 Interchange Improvements		2. Original Date: January 18, 2024 Revised Date: May 6, 2024
		3. Report Type <input type="checkbox"/> SGR <input checked="" type="checkbox"/> RGR <input type="checkbox"/> Draft <input checked="" type="checkbox"/> Final <input checked="" type="checkbox"/> Revised
4. Route / Section / County/ District/ Region F.A.I 80 / NA / Will / 1 / 1		5. IDOT Project No. /Contract No. D-91-206-19/ 62P71; 62N41; 62P67
6. PTB / Item No. 194/010	7. Existing Structure Number(s) NA	8. Proposed Structure Number(s) NA
9. Prepared by Wang Engineering, Inc. 1145 N Main Street Lombard, IL 60148	Contributor(s) Authors: Cornelia Marin, PG Nesam S. Balakumaran, PE QC/QA: Corina T. Farez, PE, PG PM: Azza Hamad, PE	Contact (630) 953-9928 ahamad@wangeng.com
10. Prepared for Stantec 135 S La Salle St Suite 3100 Chicago IL 60603	Design Engineer Dave Pieniazek, PE	Contact (312) 262-2245 dave.pieniazek@stantec.com
11. Abstract The proposed improvements include the reconstruction, widening, and realignment of I-55 Interchange Ramps A, AA, B, BB, C, CC, D, DD, and SE Frontage Road. The roadway improvement will require either placement of up to 25 feet of new fill with side slopes no steeper than 1:3 (V:H) or cuts as deep as 17 feet with slopes gentler than 1:2 (V: H). The new roadway will run over existing pavement, ditches, and/or grassy areas. At the surface, the borings encountered 1 to 12 inches silty clay to loam topsoil. The recommended topsoil thickness to be stripped is 9 inches. The existing pavements are made of either both asphalt and concrete or just asphalt, or concrete with thicknesses of up to 31 inches, mainly over aggregate base. The existing subsurface consists of up to 23 feet of soft to hard silty clay loam and medium dense sandy gravel fill, over occasionally buried topsoil or 2 to 3 feet discontinuous stiff to hard clay to silty clay, over 1 to more than 10 feet of medium stiff to hard silty clay to silty clay loam diamicton, and 3 to more than 10 feet of stiff to hard loamy diamicton, and medium dense to very dense gravely sand and weathered bedrock resting over the bedrock. The borings encountered occasionally perched groundwater within the granular fill. Mainly, the groundwater was encountered within the granular unit on top of the bedrock. The proposed subgrade will generally provide a stable working platform for the placement of fill and pavement construction. We recommend subgrade treatment of 12 inches undercuts along several sections. We also recommend placing geofabric at the base of undercut areas. For a mechanistic pavement design, the pavement sections should be designed using an SSR of POOR. For an AASHTO pavement design, the pavement sections should be designed using an IBR of 2. We estimate the embankment widening will have adequate factors of safety against slope instability and foundation soil settlement will be 1 inch or less. A shrinkage factor of 15% should be used to measure borrowed and furnished excavation quantities.		
12. Path to archived file: N:_WANGLegacy\SHARED\Netprojects\2553901\Reports\RGRs\INT-2\RPT_Wang_CLM_2553901_I80-I55RGR_V03_20240506.docx		

TABLE OF CONTENTS

1.0	INTRODUCTION	1
2.0	GEOLOGICAL SETTING	2
2.1	PHYSIOGRAPHY.....	2
2.2	PEDOLOGICAL FEATURES.....	3
2.3	SURFICIAL COVER.....	3
2.4	BEDROCK.....	3
2.5	CLIMATOLOGICAL DATA.....	4
3.0	METHODS OF INVESTIGATION	7
3.1	FIELD INVESTIGATION.....	7
3.2	LABORATORY TESTING.....	9
4.0	INVESTIGATION RESULTS	9
4.1	SURFACE CHARACTERIZATION.....	10
4.2	SUBGRADE CONDITIONS.....	11
4.3	GROUNDWATER CONDITIONS.....	16
5.0	ANALYSIS AND RECOMMENDATIONS	17
5.1	SITE PREPARATION.....	19
5.2	SUBGRADE TREATMENT RECOMMENDATIONS.....	19
5.3	PAVEMENT DESIGN RECOMMENDATIONS.....	21
5.4	EMBANKMENT AND CUT SECTIONS.....	22
5.4.1	<i>Settlement</i>	22
5.4.2	<i>Global Stability</i>	22
5.5	ROADWAY DRAINAGE.....	23
6.0	CONSTRUCTION CONSIDERATIONS	23
6.1	EXCAVATION, DEWATERING, AND UTILITIES.....	23
6.2	FILLING AND BACKFILLING.....	24
6.3	REUSE OF MATERIALS.....	24
6.4	EARTHWORK OPERATIONS.....	24
7.0	QUALIFICATIONS	25
	REFERENCES	26

EXHIBITS

1. SITE LOCATION MAP

2-1. SITE PEDOLOGICAL MAP

2-2. SITE PEDOLOGICAL TABLE

3. SITE AND REGIONAL GEOLOGY MAP

4. SUBGRADE SUPORT RATING CHART

APPENDIX A

BORING LOGS

APPENDIX B

LABORATORY TEST RESULTS

APPENDIX C

IDOT BMPR 507A AND 508A FORMS

APPENDIX D

TYPICAL CROSS SECTIONS

APPENDIX E

SLOPE STABILITY

APPENDIX F

BORING LOCATION PLAN AND SOIL PROFILES

LIST OF TABLES

Table 1: Surface Investigation Summary	8
Table 2: Summary of Topsoil Thickness.....	10
Table 3: Summary of Existing Pavement Thickness and Composition.....	11
Table 4: Summary of Existing Unit 1 Properties.....	12
Table 5: Summary of Existing Unit 2 Properties.....	13
Table 6: Summary of Existing Unit 3 Properties.....	14
Table 7: Summary of Existing Unit 4 Properties.....	15
Table 8: Summary of Existing Unit 5 Properties.....	16
Table 9: Summary of Groundwater Measurements	17
Table 10: Summary of Subgrade Treatment Recommendations.....	20
Table 11: Summary of Estimated Consolidation Settlements.....	22
Table 12: Summary of Estimated Factor of Safety	23

LIST OF FIGURES

Figure 1: Monthly Precipitation Data for 2021.....	4
Figure 2: Monthly Temperature Data for 2021.....	5
Figure 3: Monthly Precipitation Data for 2022.....	5
Figure 4: Monthly Temperature Data for 2022.....	6
Figure 5: Monthly Precipitation Data for 2023.....	6
Figure 6: Monthly Precipitation Data for 2023.....	7

**ROADWAY GEOTECHNICAL REPORT
INTERSTATE 80 AND INTERSTATE 55
INTERCHANGE IMPROVEMENTS
WILL COUNTY, ILLINOIS
FOR
STANTEC**

1.0 INTRODUCTION

This report presents the results of our subsurface investigation, laboratory testing, and geotechnical evaluations and recommendations in support of the roadway improvements proposed along Interstate 80 (I-80) and Interstate (I-55) Interchange in Will County, Illinois. A *Site Location Map* is presented as Exhibit 1.

Wang Engineering, Inc. a Terracon Company (Wang) understands, based on drawings and information provided by Stantec and dated December 2023, for the I-80/I-55 Interchange improvements along:

- Ramp A between Station 13+97 and Station 22+94; the proposed improvement includes roadway resurfacing with minor shoulder and side slope adjustments.
- Ramp AA between Station 3+50 and Station 37+32 with a gap at bridge over I-55 between Station 22+78 and Station 25+00; the new ramp runs from SB I-55 to EB I-80, through deep cut under I-80 and over tall embankment fill near the I-55 crossing; two new retaining walls (SN 099-W1002 and 099-W1003) will support the cuts and tall embankment fill along Ramp AA;
- Ramp B between Station 998+70 and Station 1040+28; the proposed improvements include roadway reconstruction, widening, and realignment, running through shallow to moderate cut and or over under 10 feet of embankment fill;
- Ramp BB between Station 13+15 and Station 25+51; the proposed improvements include roadway reconstruction, widening, and realignment with sections over new fill or shallow cut;
- Ramp C between Station 18+15 and Station 20+64; the proposed improvements include roadway reconstruction and slight widening maintaining same grade with new shallow side ditches;
- Ramp CC between Station 10+00 and Station 14+47; proposed improvements include roadway reconstruction, widening maintaining the same grade;
- Ramp D between Station 7+00 and Station 32+33; proposed improvements include roadway reconstruction, widening, and realignment, running through shallow cut and over new embankment fill;

- Ramp DD between Station 8+73 and Station 17+70; proposed improvements include roadway reconstruction, widening, and slight realignment, running through shallow cut or over low embankment fill; and
- SE Frontage Road (SEFR) between Station 4+91 and Station 36+25; proposed improvements include roadway reconstruction, widening, and slight realignment, running through cut or new embankment fill.

The purpose of our investigation was to characterize the pavement, subgrade, and groundwater conditions; perform geotechnical engineering analyses; and provide geotechnical recommendations for the design and construction of the proposed roadway improvements. The structures associated with these alignments are addressed in separate Structure Geotechnical Reports (SGRs).

2.0 GEOLOGICAL SETTING

The project area extends through west-central Will County, Illinois. On the USGS *Channahon 7.5 Minute Series Quadrangle* maps, the project is located within the Troy Township and runs through Section 27 and 28, Tier 35 N, Range 9 E of the Third Principal Meridian.

The following review of published geologic data, with emphasis on factors that might influence the design and construction of the proposed engineering works, is meant to place the project area within a geological framework and confirm the dependability and consistency of the subsurface investigation results. For the study of the regional geologic framework, Wang considered northeastern Illinois in general and Will County in particular.

2.1 Physiography

The project area is located within the northern part of the lowland Kankakee Plain physiographic subsection of the Till Plains Section (Leighton et al. 1948). This intermorainic area, once occupied by Glacial Lake Wauponsee, is characterized by flat to gently undulatory topography, with low morainic islands, glacial terraces, torrent bars, and sand dunes. The surface along the project alignment gently slopes west to east within intermorainal area between Minooka and Rockdale Moraines. The project is located about halfway between DuPage River and Rock Run Creek both are tributary of the Des Plaine River. The surface elevation along the project alignments ranges from 560 feet to 610 feet.

2.2 Pedological Features

After the Wisconsin glaciation, several types of soils developed through weathering of glacial sediments. In Will County, the soil types were surveyed by the USDA (2022). A summary of the USDA soil types present within the project area, including their relevant geotechnical index properties and suitability as subgrade and road fill are shown in Exhibits 2-1 to 2-4. The soil information provided by USDA is meant to be used as a general reference in the absence of a site-specific investigation. In this instance, our findings regarding soil features affecting suitability for highway and street construction are not necessarily in agreement with the information presented in the exhibits.

2.3 Surficial Cover

The surficial cover is the result of Wisconsin-age glacial activity. The glacial deposits were emplaced during pulsating advances and retreats of an ice-sheet lobe responsible for the formation of end moraines and associated low-relief till and lake plains (Hansel and Johnson 1996). Along the project area, the drift thickness varies from about 10 feet to 25 feet. Predominantly the drift is dominated by silty clay diamicton of the Yorkville Member of the Lemont Formation. In the project area, discontinuous patches of lacustrine deposits of the Equality Formation and alluvium of the Cahokia Formation resting over sand and gravel outwash of the Henry Formation may be encountered in sag areas or channels carved by meltwater into silty clayey diamicton of the Yorkville Member of the Lemont Formation (Hansel and Johnson 1996, Willman et al. 1971). Occasionally, beneath the Lemont Formation diamicton, sand and gravel outwash of the Henry Formation may be found on top of bedrock. Exhibit 3 illustrates the *Site and Regional Geology*.

The Henry Formation consists of stratified sand and gravel outwash with thicknesses of about 5 to 10 feet (Caron 2017). The Yorkville Member of the Lemont Formation, up to 25-foot thick, consists of yellowish brown to gray silty clay to silty clay loam diamicton that contains lenses of gravel, sand, silt, and clay (Hansel and Johnson 1996, Caron 2017).

From a geotechnical viewpoint, the Yorkville Member is characterized by low to moderate plasticity, high strength, and low to moderate moisture content (Bauer et al. 1991).

2.4 Bedrock

In southwestern Will County, the surficial cover rests unconformably on top of Ordovician-age and Silurian-age bedrock that dips east. The top of the bedrock lies at 15 to 25 feet below the ground surface (bgs). Within the project area, Ordovician shales of the Maquoketa Group are underlain by dolostones of the Galena Platteville Group (Kolata 2005). The shale bedrock is slightly to highly weathered and

may be encountered on the western side of the project. The Silurian-age dolostone extends through majority of the central and eastern portion of the project area.

Structurally, the site is located on the eastern flank of the Wisconsin Arch. The northwest to southeast trending inactive Sandwich Fault Zone splits the project area almost in half. The western section is the upthrown block with Ordovician-age shale and dolostone bedrock and the eastern section is the downthrown block with Silurian-age dolostone bedrock.

2.5 Climatological Data

The subsurface investigation performed for the I-80 & I-55 Interchange improvements, started in August 2021, continued with random interruptions through 2022, being completed in January 2023. To assess the possible effects of temperature and precipitation on water table data and soil moisture, the climatic conditions for the investigation period and three months prior to the start of the investigation are summarized graphically in Figures 1 through 6. The precipitation and temperature data for the investigation period are compared against thirty-year monthly data (1991 to 2020) in box-and-whiskers format to show deviations from “normal” climate conditions during the current investigation. Local climate data were obtained from the O’Hare Station (NCDC 2022).

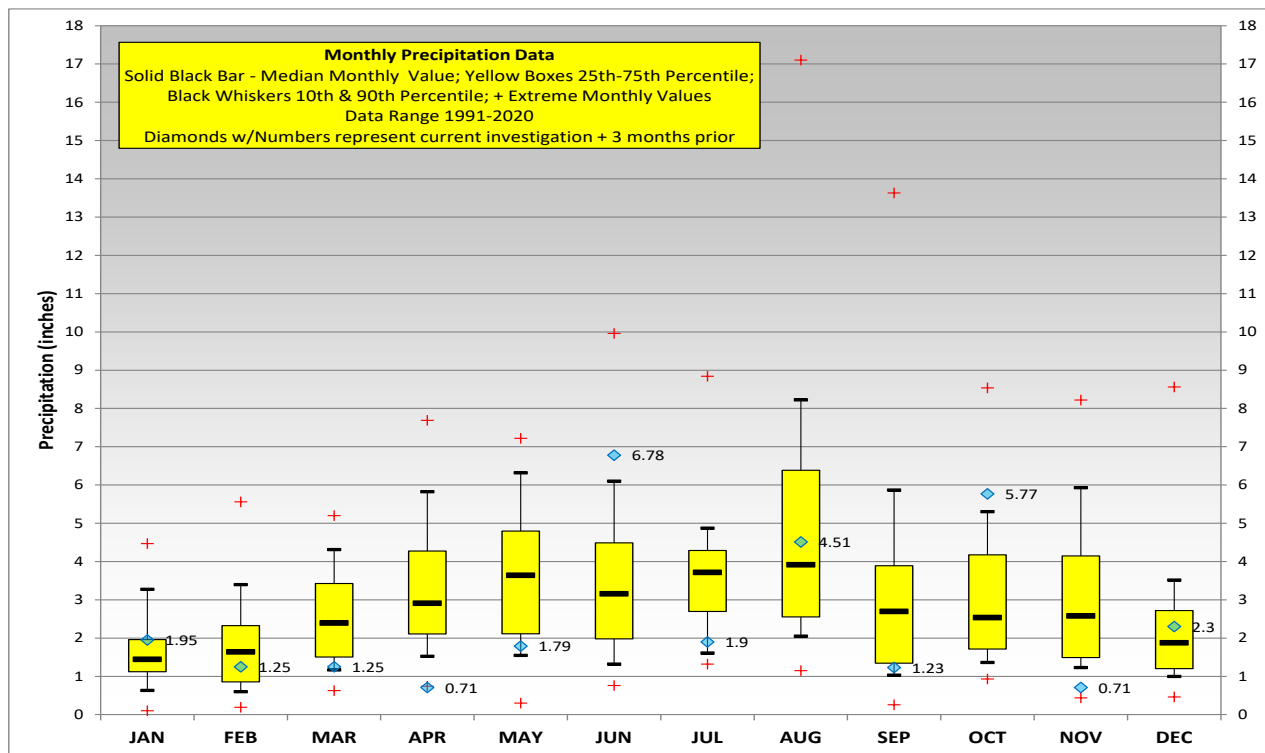


Figure 1: Monthly Precipitation Data for 2021

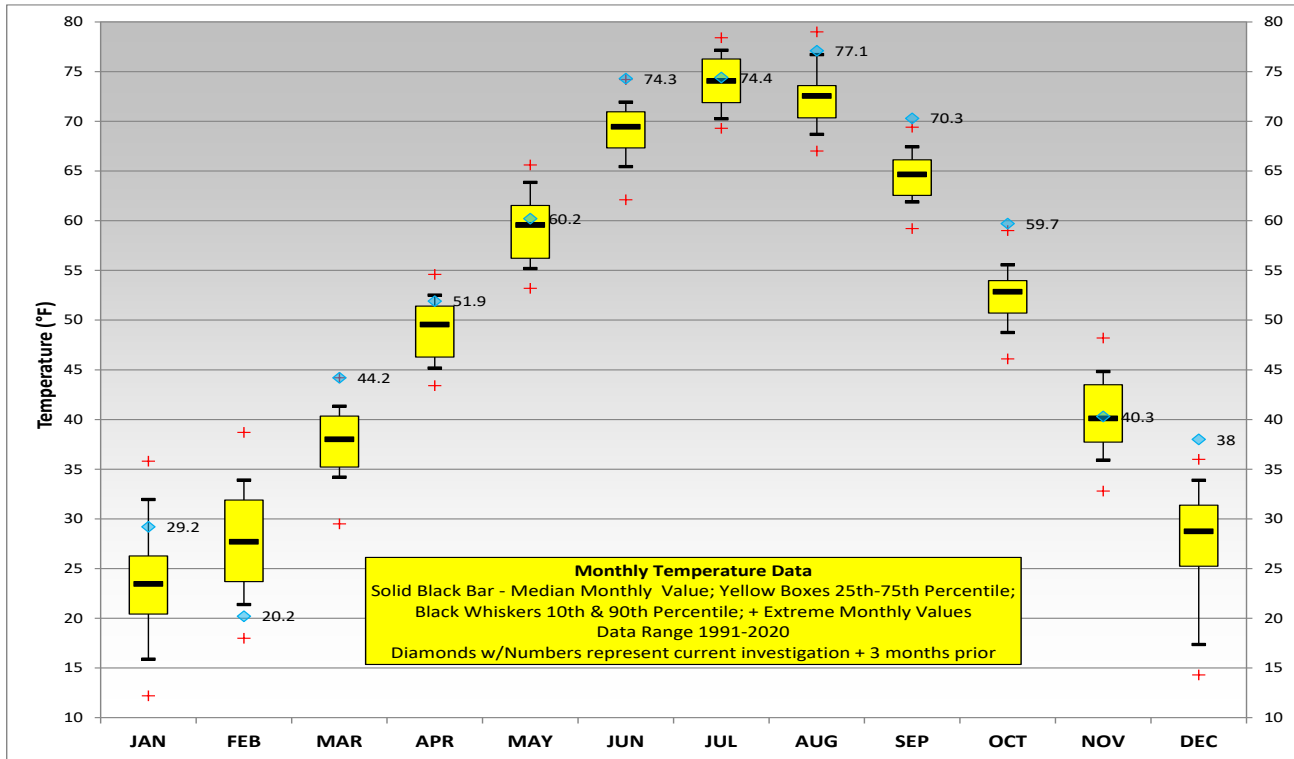


Figure 2: Monthly Temperature Data for 2021

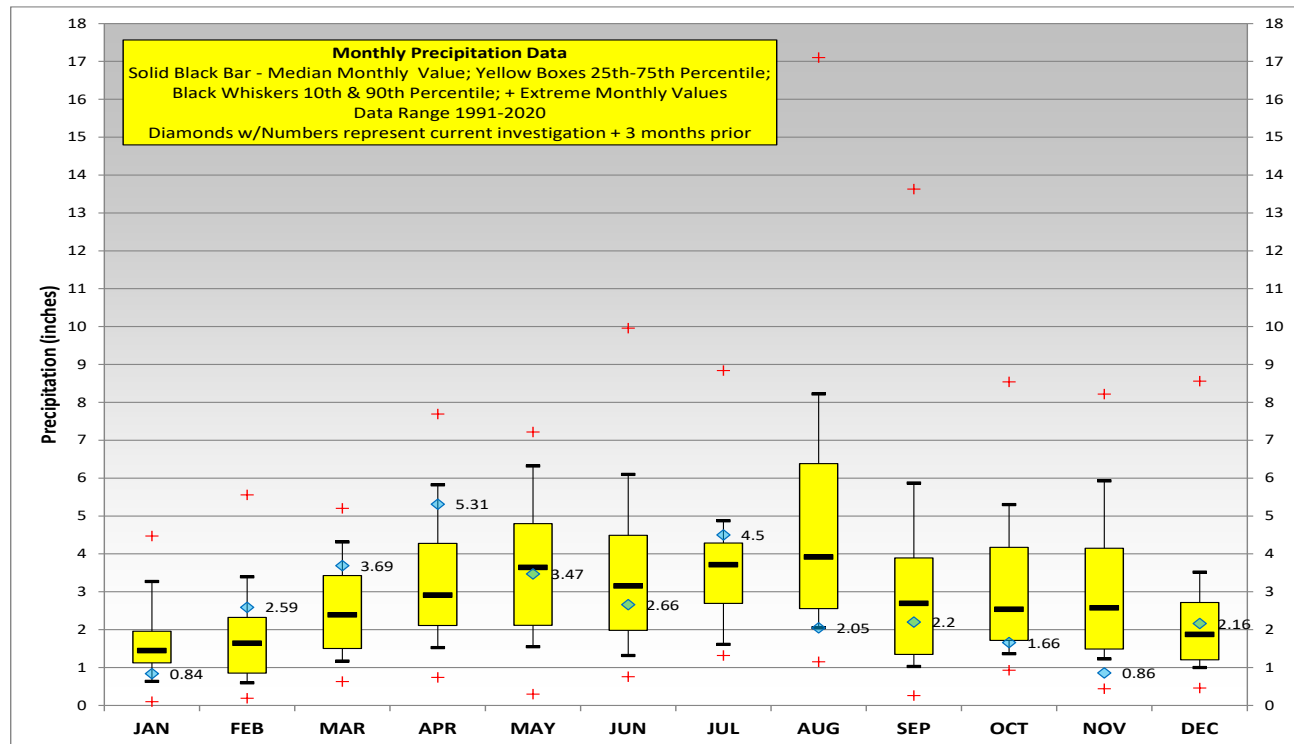


Figure 3: Monthly Precipitation Data for 2022

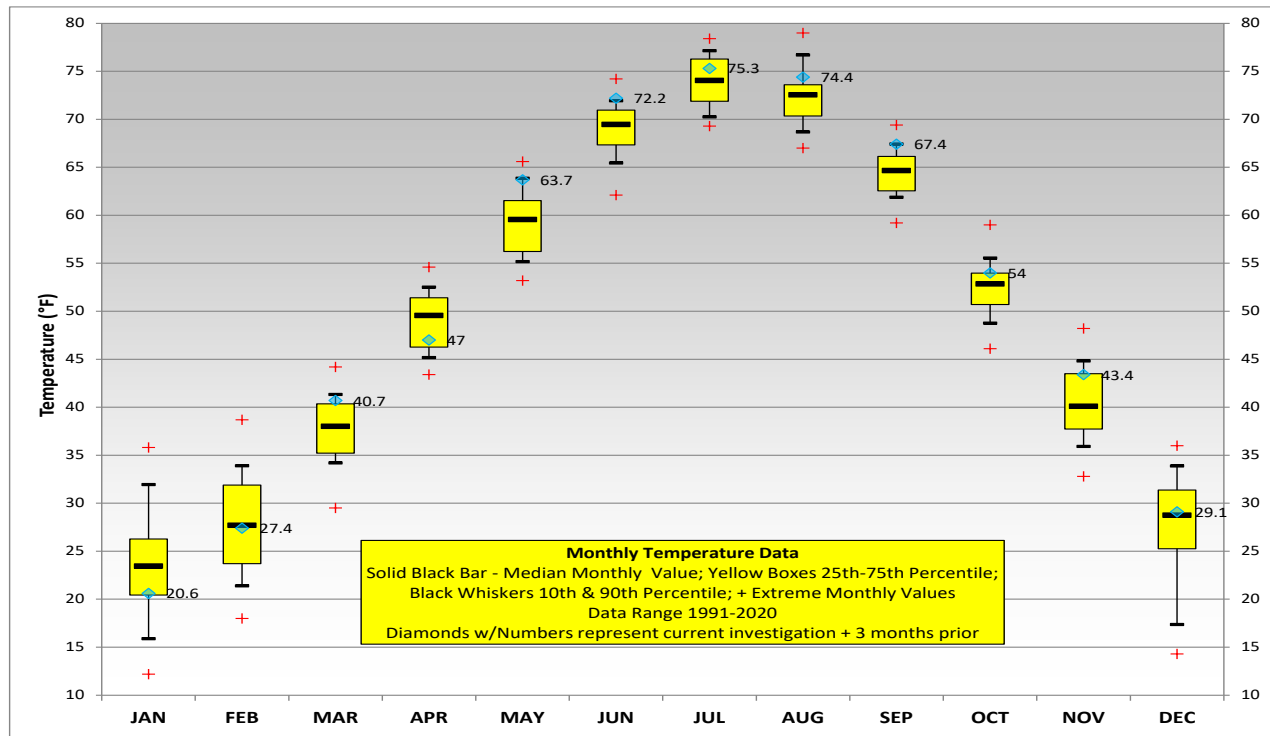


Figure 4: Monthly Temperature Data for 2022

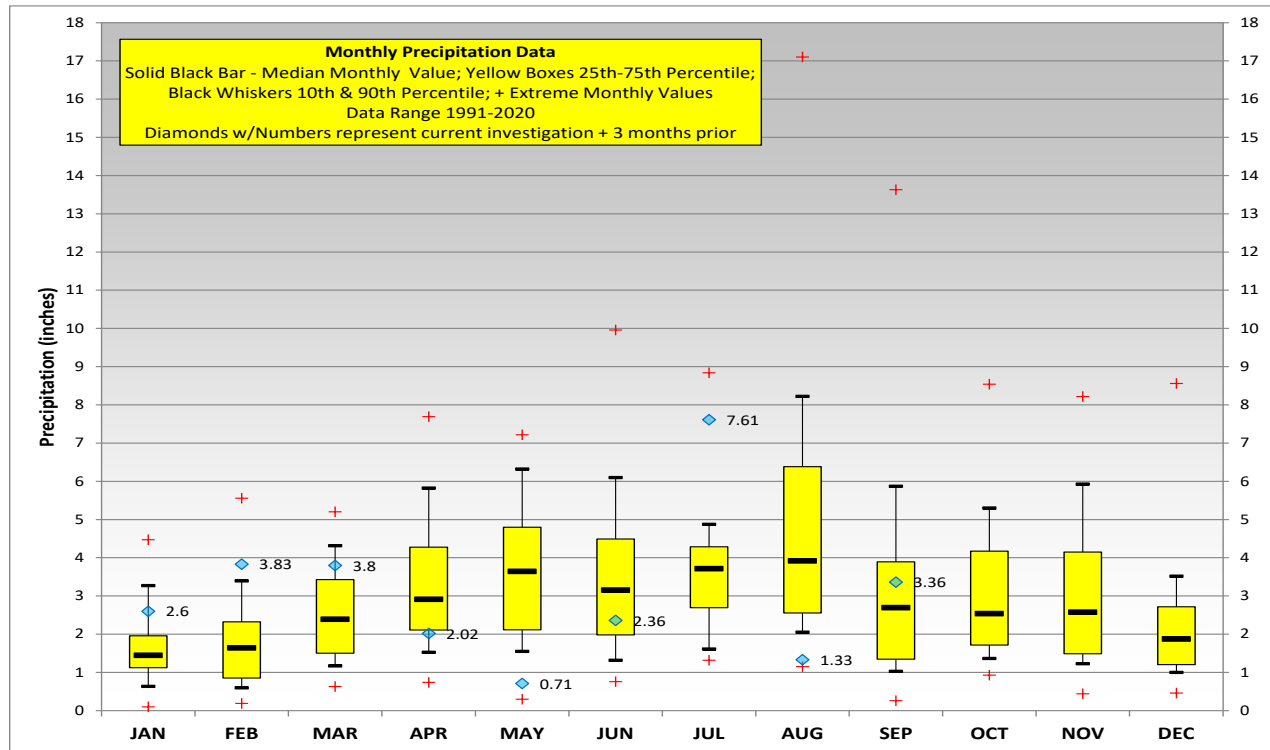


Figure 5: Monthly Precipitation Data for 2023

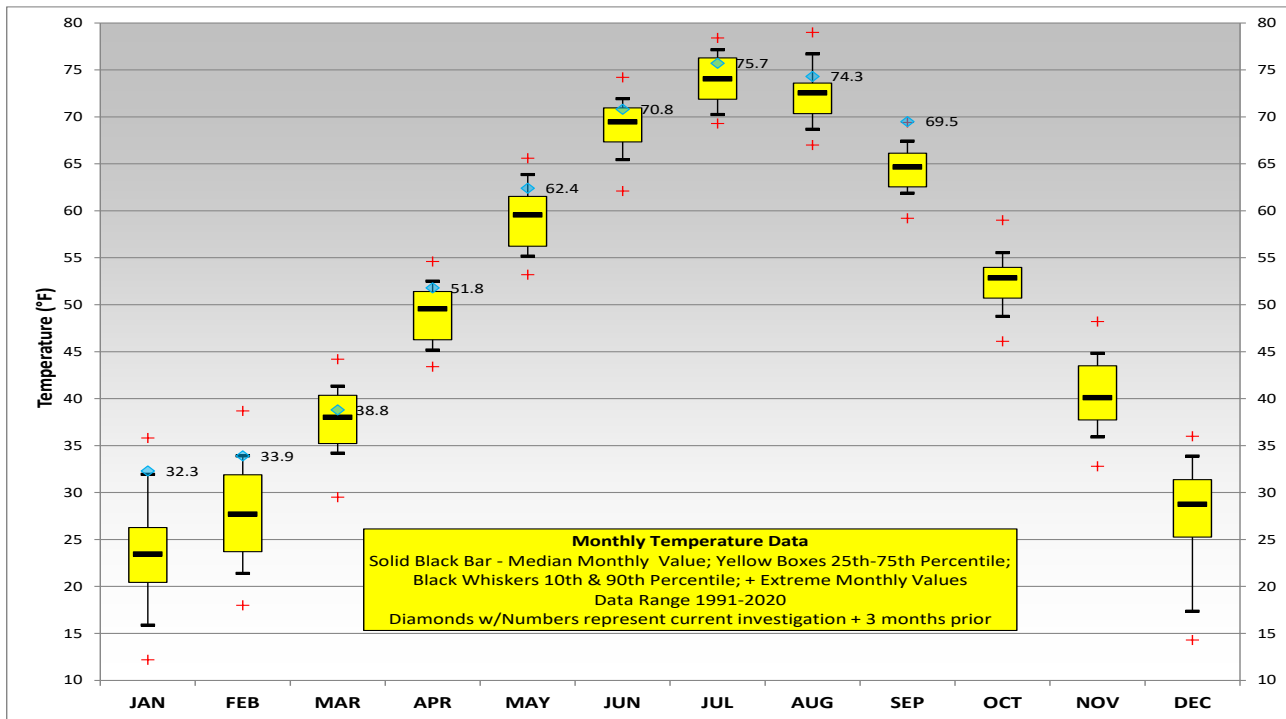


Figure 6: Monthly Temperature Data for 2023

The deviations from the historical 30-year climate data show the investigation period was characterized in general by average precipitations with few high precipitation events during the months of June and October 2021 and in July 2023. Record high temperatures were recorded during months of June, September to December 2021 in January and September 2023. Observations of perched water within the granular fill may be influenced by climate factors.

3.0 METHODS OF INVESTIGATION

The following sections outline the subsurface and laboratory investigations performed by Wang.

3.1 Field Investigation

The subsurface investigation consisted of subgrade borings (SGB) drilled along the I-55 interchange ramps (A, AA, B, BB, C, CC, D, DD, and SEFR). To supplement the subsurface data, we considered for our analysis soil borings performed for nearby structures such as bridge (BSB) borings and retaining wall (RWB) borings. The borings were drilled by Wang between August 2021 and January 2023. The borings were drilled from surface elevations of 554 to 612 feet and were advanced to depths of 5.0 to 54.5 feet bgs. A summary of soil borings, associated roadway alignments, ground surface elevations, and termination depths is provided in Table 1.

Table 1: Surface Investigation Summary

Roadway Alignment	Alignment Limits (Station to Station)	Reference Borings IDs	Ground Surface Elevations (feet)	Termination Depths (feet)
Ramp A	13+96.96 to 22+94.00	FR-BSB-08, FR-BSB-09, EB-SGB-31, OSB-04 A-SGB-01, A-SGB-02	601.8 to 607.7	10.0 to 54.5
Ramp AA	3+49.92 to 22+78.03 and 24+50.00 to 30+50.00	AA-BSB-01, AA-BSB-03 AA-RWB-01 to AA-RWB-13, 55AA-SGB-01 to 55AA-SGB-06, 80AA-BSB-01 to 80AA-BSB-04, 55B-SGB-05 to 55B-SGB-07 55D-SGB-02; 55D-SGB-03, DD-RWB-01, DD-RWB-02; 55B-SGB-01 to 55B-SGB-10, 55SEFR-SGB-01, 55SEFR-SGB-04, 55SEFR-SGB-05, 55SEFR-SGB-09, 55SEFR-SGB-10, 55B-SGB-04, 55AA-SGB-06, AA-RWB-11 to AA-RWB-13	577.8 to 611.5	5.0 to 53.5
Ramp B	998+69.44 to 1040+27.80	55B-SGB-01 to 55B-SGB-10, 55SEFR-SGB-01, 55SEFR-SGB-04, 55SEFR-SGB-05, 55SEFR-SGB-09, 55SEFR-SGB-10, 55B-SGB-04, 55AA-SGB-06, AA-RWB-11 to AA-RWB-13	554.3 to 587.7	4.0 to 31.0
Ramp BB	13+14.82 to 25+51.00	55BB-SGB-01 to 55BB-SGB-03, AA-RWB-12, AA-RWB-13	581.5 to 596.9	6.3 to 20.0
Ramp C	18+14.82 to 20+64.00	WB-SGB-37	559.9	4
Ramp CC	10+00.00 to 14+47.04	55CC-SGB-01, WB-SGB-34	599.1 to 604.5	10.0
Ramp D	7+00.00 to 32+32.97	55D-SGB-02 to 55D-SGB-06; CL-SGB-27, WB-SGB-30, FR-BSB-02, FR-BSB-03	588.3 to 605.5	10.0 to 54.0
Ramp DD	08+72.67 to 17+70.00	55DD-SGB-01 to 55DD-SGB-03, DD-RWB-01, DD-RWB-02;	589.8 to 608.2	10.0 to 42.0
Southeast Frontage Road (SEFR)	04+91.09 to	55SEFR-SGB-01 to 55SEFR-SGB-10, 55B-SGB-01 to 55B-SGB-07	546.7 to 581.9	5.0 to 32.0

The as-drilled northing and easting coordinates were surveyed by Wang with a mapping-grade GPS unit, whereas the stations, offsets, and elevations were provided by Stantec. Boring location data are

presented in the *Boring Logs* (Appendix A) and the as-drilled locations are shown in the *Boring Location Plans and Profiles* (Appendix F).

ATV- and truck-mounted drilling rigs equipped with hollow stem augers were used to advance and maintain open boreholes. Soil sampling was performed according to AASHTO T206, "*Penetration Test and Split Barrel Sampling of Soils.*" The soil was sampled continuously in SGB borings. The BSB and RWB borings were sampled at 2.5-foot intervals to 30 feet, and at 5-foot intervals thereafter. Bedrock cores were obtained from BSB and RWB borings with an NWD4-sized core barrel. A manually operated, jackhammer-driven, LB-sized Geoprobe was used to continuously sample the soil in areas with limited access. Soil samples collected from each sampling interval were placed in sealed jars and transported to the laboratory for further examination and laboratory testing.

Field boring logs, prepared and maintained by a Wang field engineer, included lithological descriptions, visual-manual soil classifications, results of Rimac and/or pocket penetrometer unconfined compressive strength tests, and results of Standard Penetration Tests (SPT) recorded as blows per 6 inches of penetration. The N-values shown in the *Soil Profile* (Appendix F) are the sum of the second and third set of blows per 6 inches of penetration.

Groundwater levels were measured while drilling and at the completion of each boring. For safety considerations each borehole was backfilled upon completion with soil cuttings and bentonite chips and the pavement surface was restored as close as possible to its original condition.

3.2 Laboratory Testing

The soil samples were tested in the laboratory for moisture content (AASHTO T265). Atterberg limits (AASHTO T89 and T90), and particle size analysis (AASHTO T88) tests were performed on select samples. Field visual descriptions of the soil samples were verified in the laboratory and the soils were classified according to the IDH and AASHTO Soil Classification Systems. The laboratory test results are shown in the *Boring Logs* (Appendix A), in the *Laboratory Test Results* (Appendix B), in the *IDOT Forms* (Appendix C), and in the *Soil Profile* (Appendix F).

4.0 INVESTIGATION RESULTS

Detailed descriptions of the soil conditions encountered during the subsurface investigation are presented in the attached *Boring Logs* (Appendix A) and in the *Soil Profile* (Appendix F). Please note that the strata contact lines shown on the logs and profiles represent approximate boundaries between

soil types. The actual transition between soil types in the field may be gradual in horizontal and vertical directions.

4.1 Surface Characterization

The proposed improvement will include construction of new Ramp AA, reconstruction, widening, and realignment of existing ramps A, B, BB, C, CC, D, and DD, and reconstruction, widening and realignment of Southeast Frontage Road (SEFR). About 50% of the borings were drilled through pavement; 23% through gravelly shoulders; and 27% through grassy area. The remaining borings were advanced through either topsoil or bare ground, off shoulders or on embankment slopes. Topsoil measurements show thickness ranging from 1 to 18 inches with an average of 7 inches. Topsoil thicknesses are summarized in Table 2.

Table 2: Summary of Topsoil Thickness

Alignment	Number of Measurements	Topsoil Thickness Range (inches)	Average Thickness (inches)
Ramp A	2	3 to 4	4
Ramp AA	24	2 to 12	8
Ramp B	8	2 to 10	5
Ramp BB	4	4 to 10	6
Ramp C	0	NA	NA
Ramp CC	2	4 to 5	5
Ramp D	3	3 to 6	5
Ramp DD	4	1 to 5	4
Southeast Frontage Road	5	6 to 18	12

NA = not available

Primarily, the borings were drilled through paved shoulders. The borings drilled in the existing roadway show various pavement structures consisting of asphalt, asphalt over concrete, or just concrete. The pavement thickness ranges from 1.5 to 31 inches with an average of 15 inches. The aggregate base consists of either crushed stone, gravelly sand, or gravelly loam and its thickness ranges from 5 to 27 inches. Pavement structure thicknesses are summarized in Table 3.

Table 3: Summary of Existing Pavement Thickness and Composition

Alignment	Total Number of Measurements (No)	Pavement Structure Thickness (inches)			Pavement Average Thickness (inches)
		Asphalt No ¹ /Range	Concrete No ¹ /Range	Total Pavement No ¹ /Range	
Ramp A	3	1/25	2/15-27	3/15-27	22
Ramp AA	5	5/9-12	0/0	5/9-12	10
Ramp B	9	8/9-16	1/11	9/9-16	11
Ramp BB	3	3/16-23	2/2-10	3/18-31	24
Ramp C	1	1/24	0/0	1/15-24	20
Ramp CC	0	NA	NA	NA	NA
Ramp D	2	2/12-14	0/0	2/12-14	13
Ramp DD	1	0/0	1/12	1/12	12
Southeast Frontage Road	20	19/2-22	1/11	12/2-22	12

¹No = number of measurements along the alignment

4.2 Subgrade Conditions

Beneath the surface, in descending order, the lithologic succession encountered includes: 1) man-made ground (fill); 2) stiff to hard clay to silty clay; 3) medium stiff to hard silty clay to silty clay loam; 4) stiff to hard silty loam to silty clay loam; 5) medium dense to very dense silty loam weathered bedrock; and 6) dolostone and shale bedrock. The following section presents the subgrade conditions encountered along the roadway alignments by our subsurface investigation. The geotechnical properties are presented below.

1) Man-made ground (fill) (Unit 1)

Beneath the surface, the borings encountered 0.5 to 23 feet of mainly cohesive fill along I-80 and I-55 interchange ramps. Granular fill was encountered mainly along the shoulders or just below the pavement structure consists of medium dense sandy gravel, with N values of 5 to 69 blows-per-foot with an average of 20 blows-per-foot. The cohesive fill generally consists of stiff to hard clay loam to silty clay loam with unconfined compressive strength (Q_u) values of 0.8 to 10.3 tsf with an average of 3.3 tsf, SPT N-value of 4 to 40 blows-per-foot averaging 13 blows-per-foot, and moisture content values of 5 to 43% with an average of 17%. Laboratory index testing shows liquid limit (L_L) values of 25 to

50% and plastic limit (P_L) values of 14 to 19%. The soil belongs primarily to the A-6 group in accordance with AASHTO.

Table 4: Summary of Existing Unit 1 Properties

Alignment	Q _u	SPT N-values	Moisture Content	Liquid Limit	Plastic Limit
	Min-Max/Avg. (tsf)	Min-Max/Avg. (blows-per-foot)	Min-Max/Avg. (%)	Min-Max (%)	Min-Max (%)
Ramp A	0.8-5.2/2.8	4-24/10	3-25/16	32-33	16
Ramp AA	1.0-10.3/3.7	4-69/18	2-43/18	33-50	14-19
Ramp B	0.3-4.5/2.3	5-29/16	3-31/13	33-39	14-15
Ramp BB	1.0-4.9/3.1	6-30/14	4-29/15	28	15
Ramp C	NA	>50	3	NA	NA
Ramp CC	0.9-4.2/2.2	5-18/11	10-20/16	25-39	14-18
Ramp D	1.5-6.3/3.8	5-40/12	5-23/15	31-36	14-15
Ramp DD	1.2-6.7/3.8	6-49/16	2-29/15	NA	NA
Southeast Frontage Road	0.3-4.3/2.1	5-29/13	3-31/14	33-39	14-15

Buried topsoil was encountered below the fill in few borings along the Interchange alignments. Buried topsoil thickness varies from 13 to 42 inches; it is mainly black silty clay to silty clay loam characterized by Q_u values of 1.2 to 3.6 tsf, moisture content of 16 to 44%. The buried topsoil and a few high moisture soils were tested for organic content and the results show value of 6.7%.

2) *Stiff to hard clay to silty clay (Unit 2)*

Beneath the fill or buried topsoil, the borings encountered 2- to 3-foot thick, stiff to hard clay to silty clay, discontinuously present along the alignments. The unit is characterized by Q_u values of 1.1 to 4.0 tsf, averaging 2.7 tsf, SPT N-values of 5 to 18 blows-per-foot, averaging 12 blows-per-foot, moisture content of 25 to 32% and an average of 28%, L_L values of 44 to 59%, and P_L of 15 to 20%. The AASHTO soil classification show the soil belongs to A-7-6 group.

Table 5: Summary of Existing Unit 2 Properties

Alignment	Q _u	SPT N-values	Moisture Content	Liquid Limit	Plasticity Limit
	Min-Max/Avg. (tsf)	Min-Max/Avg. (blows-per-foot)	Min-Max/Avg (%)	Min-Max (%)	Min-Max (%)
Ramp A	1.7-2.7/2.2	5-14/10	26-28/27	NA	NA
Ramp AA	1.1-4.0/2.8	7-18/12	25-32/28	43-59	15-20
Ramp B	1.5/1.5	9	26-29/28	53	16
Ramp BB	NA	NA	NA	NA	NA
Ramp C	NA	NA	NA	NA	NA
Ramp CC	NA	NA	NA	NA	NA
Ramp D	3.0-3.9/3.4	12-15/14	28-29/28	NA	NA
Ramp DD	3.0/3.0	5/5	28/28	NA	NA
Southeast Frontage Road	1.0-1.7/1.4	9-12/10	26-30/28	53	16

3) *Medium stiff to hard silty clay to silty clay loam diamicton (Unit 3)*

Below surface or Unit 2, at elevations of 550 to 602 feet (1 to more than 10 feet bgs), the borings advanced through stiff to hard silty clay to silty clay loam diamicton, rarely medium stiff silty clay diamicton. This unit makes up most of the subgrade. This unit thickness varies from 2.5 to 15.0 feet. Throughout this unit, occasional silt, sand, and gravel lenses are encountered. The unit is characterized by Q_u values of 1.0 to greater than 4.5 tsf averaging 5.1 tsf, SPT N-values of 3 blows-per-foot to spoon refusal averaging 19 blows-per-foot, moisture content values of 9 to 27% averaging 21%, L_L values of 39 to 49%, and PI of 21 to 32%.

Within this unit, lenses of sand and silt are discontinuously encountered. Lenses are less than 5-foot thick, moist to saturated, with N-values of 5 to 36 blows-per-foot and moisture content values of 9 to 24%.

Table 6: Summary of Existing Unit 3 Properties

Alignment	Q _u	SPT N-values	Moisture Content	Liquid Limit	Plasticity Index
	Min-Max/Avg. (tsf)	Min-Max/Avg. (blows-per-foot)	Min-Max/Avg (%)	Min-Max (%)	Min-Max (%)
Ramp A	2.3-10.2/5.5	7-52/21	18-25/21	NA	NA
Ramp AA	1.0-10.3/5.6	8-34/20	17-26/20	40-49	21-32
Ramp B	2.8-3.3/3	>50	20-21/20	NA	NA
Ramp BB	1.5-5.7/3.2	7-28/16	19-26/23	NA	NA
Ramp C	NA	NA	NA	NA	NA
Ramp CC	2.7	16	22	NA	NA
Ramp D	1.3-9.8/4.5	3-36/15	9-25/20	39-46	22-32
Ramp DD	2.5-9.5/4.7	8-27/16	18-27/21	42	27
Southeast Frontage Road	1.4-3.8/2.7	9-24/14	12-21/17	NA	NA

4) *Stiff to hard silty loam to silty clay loam diamicton (Unit 4)*

Below fill or Unit 3, at elevations of 536 to 581 feet (3 to more than 10 feet bgs), the borings advanced through stiff to hard silty loam to silty clay loam diamicton. This unit thickness varies from 1 to 16 feet. Throughout this unit, occasional silt, sand, and gravel lenses are encountered. The unit is characterized by Q_u values of 1.0 to greater than 4.5 tsf, SPT N-values of 3 blows-per-foot to spoon refusal averaging 25 blows-per-foot, moisture content values of 8 to 25% averaging 15%, L_L values of 18 to 37%, and PI of 3 to 22%.

Table 7: Summary of Existing Unit 4 Properties

Alignment	Q _u	SPT N-values	Moisture Content	Liquid Limit	Plasticity Index
	Min-Max/Avg. (tsf)	Min-Max/Avg. (blows-per-foot)	Min-Max/Avg (%)	Min-Max (%)	Min-Max (%)
Ramp A	4.0-10.3/7.1	13-27/20	13-18/16	NA	NA
Ramp AA	1.0-8.5/2.8	5->50/29	10-23/15	0-37	0-22
Ramp B	1.5-4.3/3.3	17-20/19	11-16/13	NA	NA
Ramp BB	1.6-3.5/2.6	10->50/44	9-19/16	0	0
Ramp C	NA	NA	NA	NA	NA
Ramp CC	6.0	15	18	NA	NA
Ramp D	5.5-7.2/6.4	22-23/22	12-18/15	NA	NA
Ramp DD	1.2-1.7/1.6	3-12/8	14-18/15	NA	NA
Southeast Frontage Road	1.5-4.3/2.9	17->50/39	9-16/12	NA	NA

5) *Medium dense to very dense silty loam and weathered bedrock (Unit 5)*

At elevations of 538 to 574 feet (4 to more than 10 feet bgs), the borings advanced through medium dense to very dense silty loam to gravelly sandy loam weathered bedrock. This unit thickness varies from 1 to 7 feet and is water bearing. The unit is characterized by SPT N-values of 9 blows-per-foot to spoon refusal averaging 72 blows-per-foot, moisture content values of 9 to 16% averaging 11%, L_L values of 0-18%, and PI of 0 to 3.

Table 8: Summary of Existing Unit 5 Properties

Alignment	SPT N-values	Moisture Content	Liquid Limit	Plasticity Index
	Min-Max/Avg. (blows-per-foot)	Min-Max/Avg (%)	Min-Max (%)	Min-Max (%)
Ramp A	9->50/37	14-20/16	NA	NA
Ramp AA	38->50/>50	5-20/10	18	3
Ramp B	14->50/>50	2-20/7	NA	NA
Ramp BB	>50/>50	4-11/7	NA	NA
Ramp C	NA	NA	NA	NA
Ramp CC	NA	NA	NA	NA
Ramp D	20->50/>50	6-22/12	NA	NA
Ramp DD	>50	9	NA	NA
Southeast Frontage Road	14->50/>50	4-13/8	NA	NA

6) *Dolostone bedrock (Unit 6)*

Below the Unit 5, at elevations of 510 to 560 feet (12 to 44 feet bgs), the borings cored into dolostone bedrock. The dolostone bedrock is strong, of very poor to fair rock mass quality, slightly to moderately weathered with horizontal, oblique, and vertical joints, slightly to highly weathered joints. For the top 5 to 10 feet the recovery shows values ranging from 86 to 100%, rock quality designation (RQD) values of 0 to 67%, and rock strength (Qu) values of 5,242 psi to 13,700 psi.

4.3 Groundwater Conditions

Groundwater was recorded during and upon completion of drilling. The groundwater was encountered in 56% of the borings considered for this roadway geotechnical report, perched within granular lenses within the fill, or mainly within the granular unit (Unit 4 and/or Unit 5) just above the bedrock. However, it should be noted that groundwater levels might change and may vary with seasonal rainfall

patterns and long-term climate fluctuations or may be influenced by local site conditions. A groundwater data summary is presented in Table 9.

Table 9: Summary of Groundwater Measurements

Roadway Alignment	Groundwater measurements No ¹ ./out of ²	Groundwater while drilling (feet)		Groundwater after drilling (feet)		Groundwater 24-hour reading (feet)	
		Depth min-max	Elevation min-max	Depth min-max	Elevation min-max	Depth min-max	Elevation min-max
		Ramp A	2/4	14.0-30.0	575.3-591.3	16.0	589.3
Ramp AA	25/31	2.0-31.8	571.1-605.2	2.5-21.0	575.3-605.7	2.0-13.0	573.2-605.1
Ramp B	9/19	1.5-13.0	543.3-585.7	3.0-16.0	540.3-584.7	6	576.1
Ramp BB	3/11	6.0-21.0	576.1-585.3	6.0	577.0	6	576.1
Ramp C	0/1	Dry	Dry	Dry	Dry	NA	NA
Ramp CC	0/2	Dry	Dry	Dry	Dry	NA	NA
Ramp D	3/9	7.0-21.0	581.3-584.1	12.0-20.0	576.3-583.6	NA	NA
Ramp DD	1/5	21.5	579.4	21.0	579.9	NA	NA
Southeast Frontage Road (SEFR)	4/13	4.0-11.0	564.8-573.5	6.0-13.0	562.8-571.0	NA	NA

¹No = number of borings that encountered groundwater; ² total number of borings drilled along the alignment

5.0 ANALYSIS AND RECOMMENDATIONS

According to the drawings provided by Stantec, Wang understands the roadway improvements proposed for the I-80/I-55 Interchange are:

- Reconstruction and widening of Ramp A between Station 13+97 and Station 22+94;
- Construction and realignment of Ramp AA between Station 3+50 and Station 32+00; Construction of two new retaining walls (SN 099-W1002 and 099-W1003) with a section of Retaining wall SN 099-W1003 on embankment fill;

- Reconstruction, widening, and realignment of Ramp B between Station 998+70 and Station 1040+28;
- Reconstruction, widening, and realignment of Ramp BB between Station 13+15 and Station 25+51;
- Reconstruction and widening of Ramp C between Station 18+15 and Station 20+64;
- Reconstruction and widening of Ramp CC between Station 10+00 and Station 14+47; proposed improvements include roadway reconstruction, widening maintaining the same grade;
- Reconstruction, widening, and realignment of Ramp D between Station 7+00 and Station 32+33;
- Reconstruction, widening, and realignment of Ramp DD between Station 8+73 and Station 17+70;
- Reconstruction, widening, and realignment of SE Frontage Road between Station 4+91 and Station 36+25.

Design and cross-section drawings indicate the proposed grade will be slightly to completely changed; the proposed improvements will require up to 25 feet of fill or up to 17 feet of cut through side slopes, existing roadway pavement, embankments, grassy areas, and ditches. The side slopes will be graded 1:2 to 1:6 (V:H).

As per Stantec plans, the typical pavement design shows for the ramps SE Frontage Road are detailed below.

Ramps

Lane

10.75" Portland Cement Concrete Pavement (Jointed);
4.0" HMA Stabilized Subbase;
12" Aggregate Subgrade Improvement

Shoulder

10.75" Portland Cement Concrete Pavement shoulder;
4" Subbase Granular Material, Type C;
12" Aggregate Subgrade Improvement

I-55 Auxiliary Lanes (Ramps A and B)

Lane

15" HMA Pavement (Full Depth);
12" Aggregate Subgrade Improvement

Shoulder

20" HMA Shoulders (Full Depth);
12" Aggregate Subgrade Improvement

SE Frontage Road/Mound Road

Lane

7.75" Hot-Mix Asphalt (full depth) Pavement;
12" Aggregate Subgrade Improvement

5.1 Site Preparation

For the proposed reconstruction, it is recommended that any topsoil and existing pavement be stripped within the limits of the proposed improvements. For estimating purposes, the topsoil thickness to be stripped is 9 inches, representing the 75 percentile of topsoil thickness. As per IDOT District One, a shrinkage factor of 15% should be used to measure borrowed and furnished excavation quantities.

As per IDOT District One, we recommend that all of the topsoil that is stripped be stockpiled, sorted, and reused for the proposed landscaping improvements. The pay item for this is TOPSOIL EXCAVATION AND PLACEMENT (CU YD). We recommend that a plan note containing the stockpiling information be included in the contract documents. The actual removal depth and the quantity of topsoil removal should be verified in the field.

After stripping, the stability of the exposed subgrade should be observed for the presence of any unsuitable and/or unstable soils to determine if remedial treatment is necessary. The prepared subgrade should be proofrolled to check for rutting and subgrade deformation. Using a static or dynamic cone penetrometer, any unstable and/or unsuitable soils revealed during proofrolling should be tested and evaluated according to the IDOT *Subgrade Stability Manual* (IDOT 2005). The side slopes along high embankments along some of the ramps should be benched to accommodate the new embankment fill.

5.2 Subgrade Treatment Recommendations

Based on the results of our investigation, the subgrade will generally consist of stiff to very stiff silty clay to clay loam fill, stiff to hard silty clay to silty clay loam natural ground, or weathered bedrock. The proposed pavement structure will be supported mainly on both new and existing fill and natural ground.

The soil borings indicate the proposed subgrade generally consists of soils with Q_u values greater than 1.0 tsf, moisture contents of less than 25%, and L_L values below 50%. Overall, the subgrade soils will provide a stable working platform for the construction of the new pavement structure and the aggregate base. However, a few borings revealed soil with moisture content values higher than 30% and L_L values above 50%, but Q_u values above 1.0 tsf. At these boring locations we are recommending subgrade treatment as summarized in Table 10. The proposed treatment undercuts are below the 12 inches of aggregate subgrade improvement that is included in as part of the proposed pavement section.

The improved subgrade should be in accordance with the IDOT Bureau of Design and Environment (BDE) *Aggregate Subgrade Improvement* Special Provision. We recommend placing geotextile fabric

at the base of undercut areas. Fabric should meet the requirements of Article 210, Fabric for Ground Stabilization of IDOT *Standard Specifications* (IDOT 2023).

Table 10: Summary of Subgrade Treatment Recommendations

Limits Station to Station	Treatment Width	Treatment Type	Treatment Depth ⁽¹⁾ (inch)	Reference Boring, Subgrade Concerns
Ramp AA 8+00 to 10+00	Ramp AA pavement width	Aggregate Subgrade Improvement	Remove silty loam layer (To Elev. 592 ft)	55AA-SGB-01 Silty loam (MC=43%)
Ramp B 1006+00 to 1009+00	Ramp B embankment widening area	Aggregate Subgrade Improvement	12	55B-SGB-03 ($Q_u=0.8$ tsf)
SEFR 21+00 to 22+50	SEFR embankment widening area	Aggregate Subgrade Improvement	12	55SEFR-SGB-02 (LL=53%; MC=29%)

⁽¹⁾The treatment depths are below 12 inches of aggregate improvement that is included in proposed pavement section.

As per IDOT District One, *in addition to the undercuts recommended in Table 10, we recommend that a plan quantity of Aggregate Subgrade Improvement (CU YD) equal to 25% of the planned full depth pavement area assuming a thickness of 12 inches should be added for estimating purposes. This material should be used to replace any unsuitable soils below the bottom of the improved subgrade layer that are encountered in the field during construction. The actual need for removal and replacement with Aggregate Subgrade Improvement should be determined in the field at the time of construction by the Geotechnical Engineer or soils inspector. All potentially unstable soils should be tested with a cone penetrometer and treated in accordance with Article 301.04 of the SSRBC and the undercut guidelines in the IDOT Subgrade Stability Manual. Any material not needed for undercut replacement at the time of construction should be deleted from the contract with no extra compensation to the contractor.*

Based on the above recommendation, there will be a need for two separate Aggregate Subgrade Improvement line items in the Schedule of Quantities (SOQ) included in the design plans:

- *AGGREGATE SUBGRADE IMPROVEMENT 12" (SQ YD) – This will be used for the 12 inch aggregate subgrade improvement below new pavement sections and widening pavement sections.*
- *AGGREGATE SUBGRADE IMPROVEMENT (CU YD) – This will be used in locations where there are undercuts (below the 12 inch improved subgrade layer) where poor soils were removed.*

It should be noted that both above items refer to the IDOT Bureau of Design and Environment (BDE) Aggregate Subgrade Improvement Special Provision (April 1, 2022).

The subgrade should be proofrolled and tested as outlined in Section 5.1. If low strength and/or high moisture soils are encountered during construction other locations not shown in Table 10, they should be removed to a minimum depth of 6 inches and replaced with compacted granular fill.

As per IDOT District One, we also recommend including a plan quantity of geotechnical fabric for ground stabilization (SQ YD) equal to at least 25% of the planned pavement area in addition to the areas in the Table 10. We recommend placing geotextile fabric at the base of undercut areas where low strength subgrade soils are encountered. The 12 inches of improved subgrade is not considered an undercut, and we do not recommend placing the fabric at the base of the proposed 12-inch improved subgrade layer unless it is determined to be necessary to achieve stability by the Geotechnical Engineer or soils inspector at the time of construction. Fabric should meet the requirements of Article 210, Fabric for Ground Stabilization, of the SSRBC. Any material not needed at time of construction should be deleted from the contract with no extra compensation to the contractor.

Any highly moist soils, if not otherwise unsuitable or unstable, encountered within the exposed roadway subgrade should be disked or tilled, dried, and compacted before placing the new pavement structure.

The frost depth for pavement design in northern Illinois could be expected to range from 45 to 60 inches (IDOT 2020). Within the frost susceptible depths, most of the samples tested in the laboratory had plasticity indices (PI) of 7 to 38% and only eight borings encountered groundwater within this depth. In our opinion, in general the soils will exhibit low to moderate frost susceptibility. Adequate drainage will suffice to alleviate frost heave.

5.3 Pavement Design Recommendations

For a Mechanistic Pavement Design (MPD), IDOT rates the subgrade using the Subgrade Support Rating (SSR). Laboratory testing on representative samples of the subgrade soil shows SSR ratings of POOR to FAIR (Exhibit 4). Considering the worst subgrade conditions, we recommend that an SSR of POOR be used for the purpose of pavement design. Pavement structure conforming to IDOT's MPD requires a minimum of 12 inches of improved subgrade below the design pavement structure to ensure stability during construction and long-term pavement performance (IDOT 2020).

For an AASHTO pavement design, the subgrade soil and unknown new fill type support is characterized using the Illinois Bearing Ratio (IBR). Based on soil tests and classifications (A-7), we recommend that the pavement be designed based on an IBR value of 2 (IDOT 2020).

5.4 Embankment and cut sections

Based on the cross-sections drawings, the proposed roadway embankment will require up to 25 feet high fill placed on the existing embankment slope or new embankment and up to 17 feet of cut into existing slopes and/or ground. The highest fill and cut sections are along the new Ramp AA. The slope will be graded no steeper than 1:2 (V:H). We have evaluated the potential long-term settlement and global slope stability of the cut and fill sections along the proposed improvements.

5.4.1 Settlement

In general, we do not anticipate excessive settlement. We performed settlement analysis along the Ramps at selected most critical sections with most added fill. Settlement estimates have been made based on correlations to measured index properties obtained from the laboratory tests (Appendix B). Settlement evaluations are summarized and presented in Table 11.

Table 11: Summary of Estimated Consolidation Settlements

Alignment	Approximate Station	New Fill Height (feet)	Reference Boring(s)	Estimated Settlement (inches)
Ramp AA	28+50	13.5	AA-RWB-11 55SEFR-SGB-03	0.21-0.32
Ramp B	1014+00	11.3	55B-SGB-05 55SEFR-SGB-02	0.5
Ramp B	1016+00	15.0	55SEFR-SGB-03 55AA-SGB-05	0.62
Ramp BB	31+00	8.0	55BB-SGB-02 and -03	0.25

5.4.2 Global Stability

Proposed embankment and cut side slopes will be graded at 1:2 to 1:6 (V: H). Global stability analyses at critical sections along the Ramps for the highest fill sections were based on the soil information from nearest borings. The results of our global stability analyses factors of safety (FOS) meet IDOT’s minimum requirement of 1.5 for embankment and 1.7 for cut. Slope stability analyses results are included in Appendix D and summarized in Table 12.

Table 12: Summary of Estimated Factor of Safety

Alignment	Approximate Station	New Fill / Cut Height (feet)	Reference Boring(s)	Estimated FOS	
				Undrained	Drained
Ramp AA	12+00	15.4 (Cut)	80AA-BSB-03 80AA-BSB-04	7.56	2.42
Ramp AA	11+50	27.0 (Cut)	80AA-BSB-02 80AA-BSB-04	3.87	2.14
Ramp B	1014+00	20.0 (Fill)	55B-SGB-05 55SEFR-SGB-02	6.76	3.37
Ramp B	1039+00	7.5 (Fill)	EB-SGB-37 WB-SGB-38	7.14	2.88

5.5 Roadway Drainage

The proposed subgrade and pavement should have proper surface grading to prevent the pooling of water. The soils encountered beneath the proposed subgrade will exhibit poor to fair drainage characteristics. The fill material to be placed in support of the widening will likely be cohesive and will exhibit poor drainage characteristics. We recommend installing longitudinal pipe underdrains under the edge of new pavement in widening areas, and transverse pipe underdrains using a spacing of 300-foot, at the low points in the profile, and at the base of any undercuts. The pipe underdrains should be 6 inches in diameter and should be installed per Article 601 in the IDOT *Standard Specifications* (IDOT 2022) and consist of Type 2 underdrains.

6.0 CONSTRUCTION CONSIDERATIONS

6.1 Excavation, Dewatering, and Utilities

Excavations should be performed in accordance with local, state, and federal regulations. The potential effect of ground movements upon nearby utilities should be considered during construction. Excavations should be sloped at no steeper than 1:2 (V: H) for cohesive soils and 1:2.5(V:H) for granular soils.

We do not anticipate the need for special dewatering systems. However, during and immediately following periods of heavy precipitation, the excavations may encounter perched groundwater within any granular layers interbedded within the cohesive layers. Therefore, the Contractor should ensure proper surface grading to prevent pooling of water and run-off into open excavations. Any water allowed to enter excavations should immediately be removed via sump-pump.

6.2 Filling and Backfilling

Fill material used for replacement of any poor soils encountered during construction should be pre-approved by the Engineer. The fill material should be free of organic matter and debris and should be placed in lifts compacted in accordance with Section 205, *Embankment* (IDOT 2022). For new fill to be placed on existing slopes, we recommend benching the slopes according to IDOT embankment construction details.

As indicated in Section 5.0 and in the SGR for this wall, a section of the wall (SN 099-W1003) along Ramp AA between Station 27+00 and Station 28+62 will be constructed on new embankment fill. Therefore, for the fill placement between Station 27+00 and Station 28+62 along Ramp AA will require a special provision to verify the compacted embankment fill properties to achieve the recommended bearing resistance to support the proposed retaining wall.

6.3 Reuse of Materials

Soil excavated from the existing subgrade may be reused as embankment fill if testing shows it conforms to the following criteria: a) L_L less than 50%; b) PI value of more than 12%; c) maximum dry density greater than 90 pcf according to AASHTO T99; and d) organic content less than 10%. The excavated soils should be removed, brought to within $\pm 2\%$ of the optimum moisture content and recompacted according to Section 205, *Embankment* (IDOT 2022).

6.4 Earthwork Operations

The required earthwork can be accomplished with conventional construction equipment. Moisture and traffic will cause deterioration of the exposed subgrade soils. Precautions should be taken by the Contractor to prevent water erosion of the exposed subgrade.

A compacted subgrade will minimize water runoff erosion. Earth moving operations should be scheduled to avoid excessive cold or wet weather (early spring, late fall or winter). Any soil allowed to freeze or soften due to the standing water should be removed. Wet weather can cause problems with subgrade compaction.

It is recommended that an experienced geotechnical engineer be retained to inspect the exposed subgrade, monitor earthwork operations, and provide material inspection services during the construction phase of this project.

7.0 QUALIFICATIONS

The analysis and recommendations submitted in this report are based upon data obtained from the borings drilled at the locations shown on the *Boring Logs* (Appendix A) and in the *Boring Location Plans* (Appendix F). This report does not reflect any variations that may occur between the borings or elsewhere on the site, variations whose nature and extent may not become evident until the course of construction. In the event that any changes in the design and/or location of the proposed improvements are planned, we should be timely informed so that our recommendations can be adjusted accordingly.

It has been a pleasure to assist Stantec and the Illinois Department of Transportation on this project. Please call if there are any questions, or if we can be of further service.

Respectfully Submitted,

WANG ENGINEERING, INC.
(a Terracon Company)

Cornelia L Marin, P.G.
Senior Engineering Geologist

Nesam S. Balakumaran, P.E.
Project Engineer

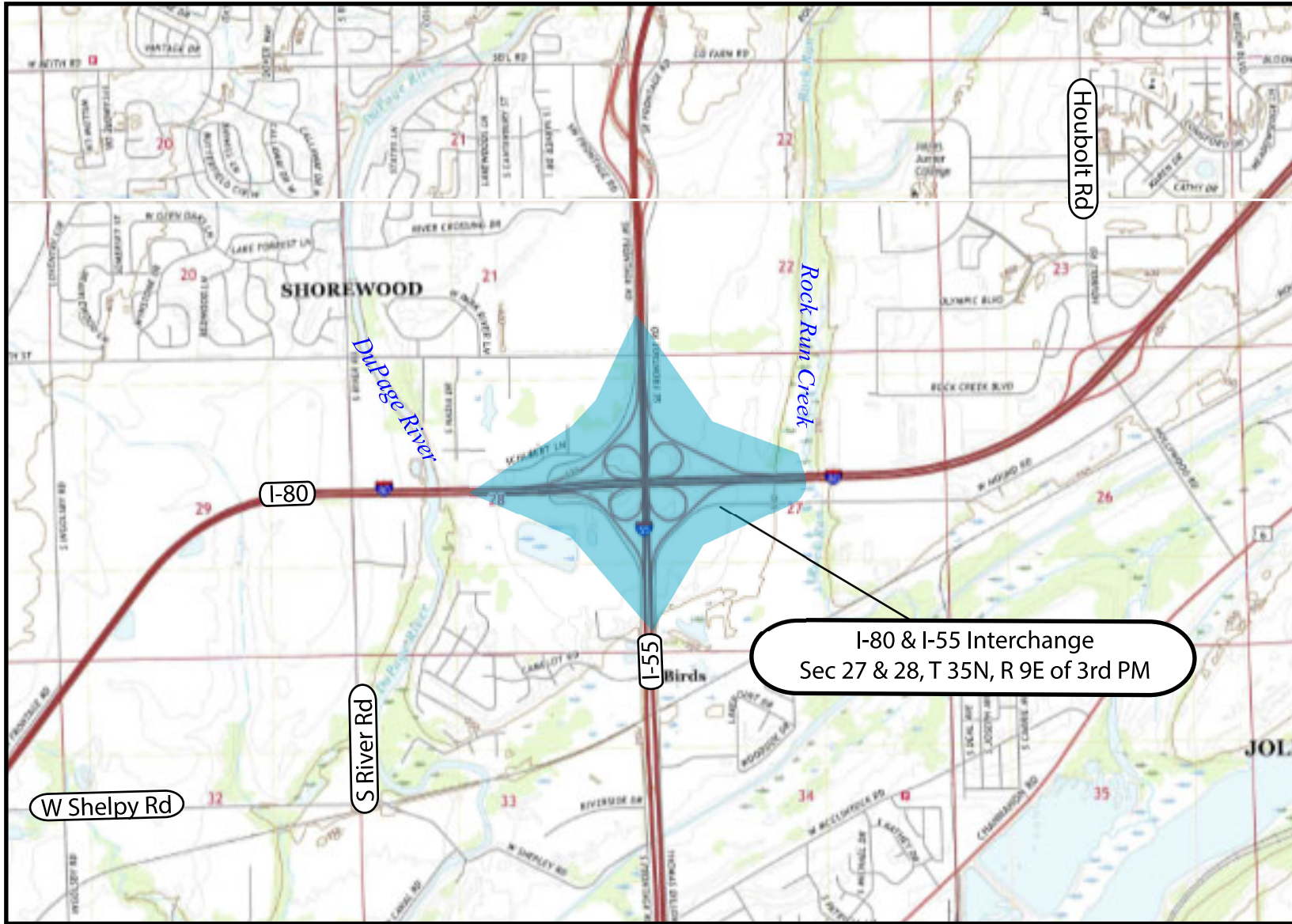
Corina T. Farez, P.E., P.G.
QA/QC Reviewer

Azza Hamad, P.E.
Senior Engineer/Project Manager

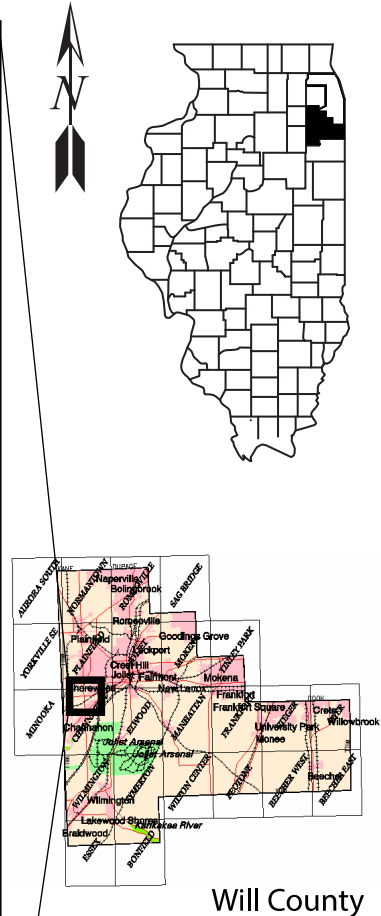
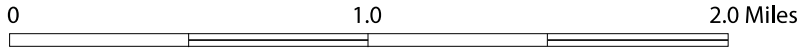
REFERENCES

- BAUER, R.A., CURRY, B.B., GRAESE, A.M., VAIDEN, R.C., SU, W.J., and HASEK, M.J., 1991, *Geotechnical Properties of Selected Pleistocene, Silurian, and Ordovician Deposits of Northeastern Illinois*: Environmental Geology 139, Illinois State Geological Survey, 69 p.
- CARON, O.J., 2017, Surficial Geology of Joliet Quadrangle, Will County, Illinois: Illinois State Geological Survey, USGS-STATEMAP contract report, 2 sheets, 1:24,000;
- HANSEL, A.K., and JOHNSON, W.H. (1996) *Wedron and Mason Groups: Lithostratigraphic Reclassification of the Wisconsin Episode, Lake Michigan Lobe Area: ISGS Bulletin 104*. Illinois State Geological Survey, Champaign, IL. 116 p.
- IDOT (2005) *Subgrade Stability Manual*. Illinois Department of Transportation. 34 pp.
- IDOT (2020) *Geotechnical Manual*. Illinois Department of Transportation. 546 pp.
- IDOT (2022) *Standard Specifications for Road and Bridge Construction*. Illinois Department of Transportation. 1098 pp.
- KOLATA, D.R. 2005, Bedrock Geology of Illinois, Illinois Map 14: Illinois State Geological Survey.
- LEIGHTON, M.M., EKBLAW, G.E., and HORBERG, L. (1948) *Physiographic Divisions of Illinois*. The Journal of Geology, v. 56, p. 16-33.
- NCDC (2020 and 2021) National Climatic Data Center: Global Historical Climatological Network Data, <http://www.ncdc.noaa.gov/ghcn/ghcn.SELECT.html>.
- WILLMAN, H.B., ATHERTON, E., BUSCHBACH, T.C., COLLINSON, C., FRYE, J.C., HOPKINS, M.E., LINEBACK, J.A., and SIMON, J.A., 1971, *Handbook of Illinois Stratigraphy*: ISGS Bulletin 95: Urbana, Illinois State Geological Survey, 261 p.

EXHIBITS



I-80 & I-55 Interchange
 Sec 27 & 28, T 35N, R 9E of 3rd PM

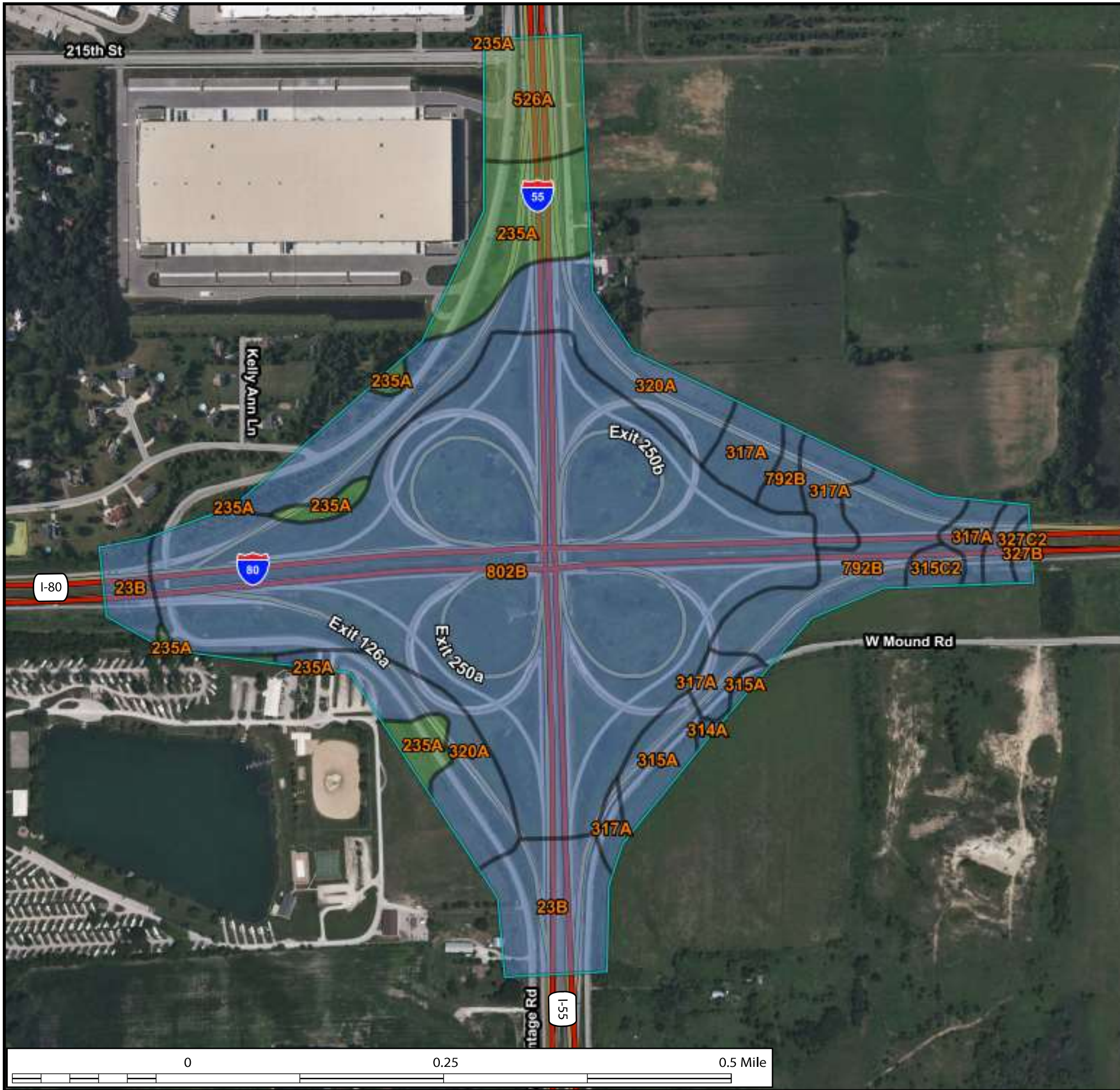


SITE LOCATION MAP: I-80 RECONSTRUCTION FROM RIVER RD TO HOUBOLT RD;
 I-55 INTERCHANGE, INT-2, PTB 194/10, WILL COUNTY, ILLINOIS

SCALE: GRAPHICAL	EXHIBIT 1	DRAWN BY: C. Marin CHECKED BY: A. Hamad
------------------	------------------	--

 Wang Engineering A Terracon Company	1145 N. Main Street Lombard, IL 60148 www.wangeng.com
	FOR STANTEC

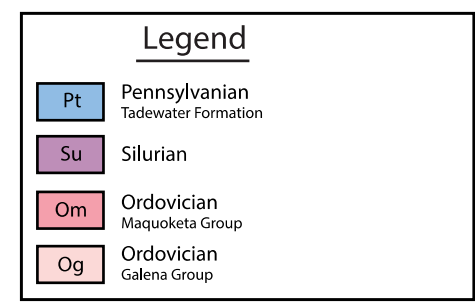
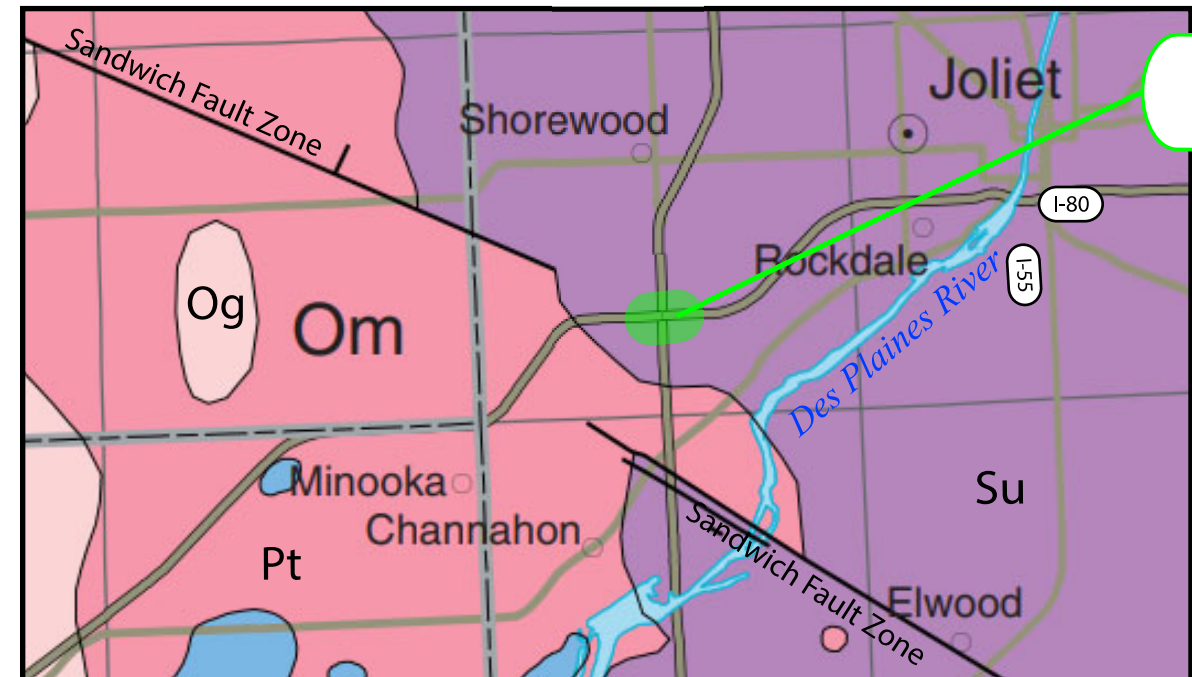
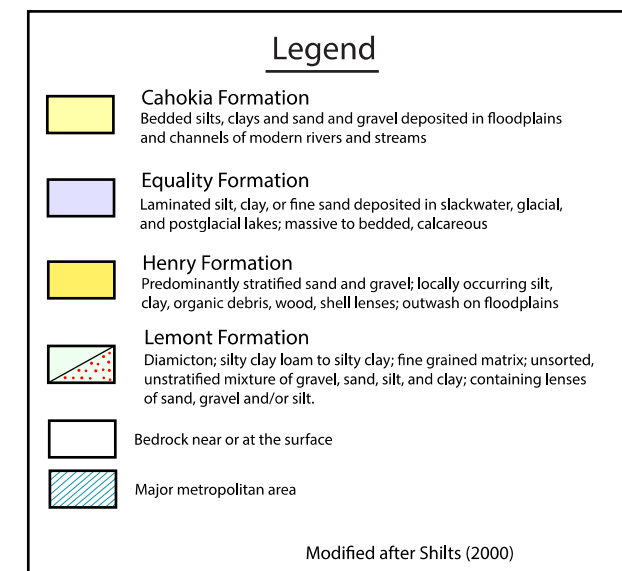
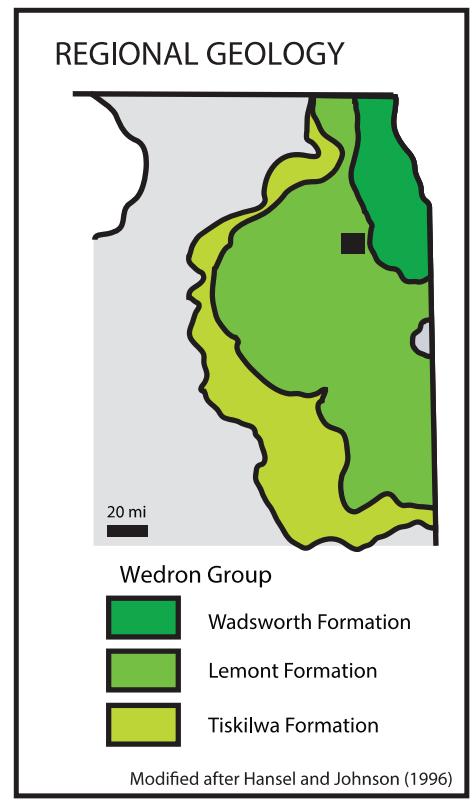
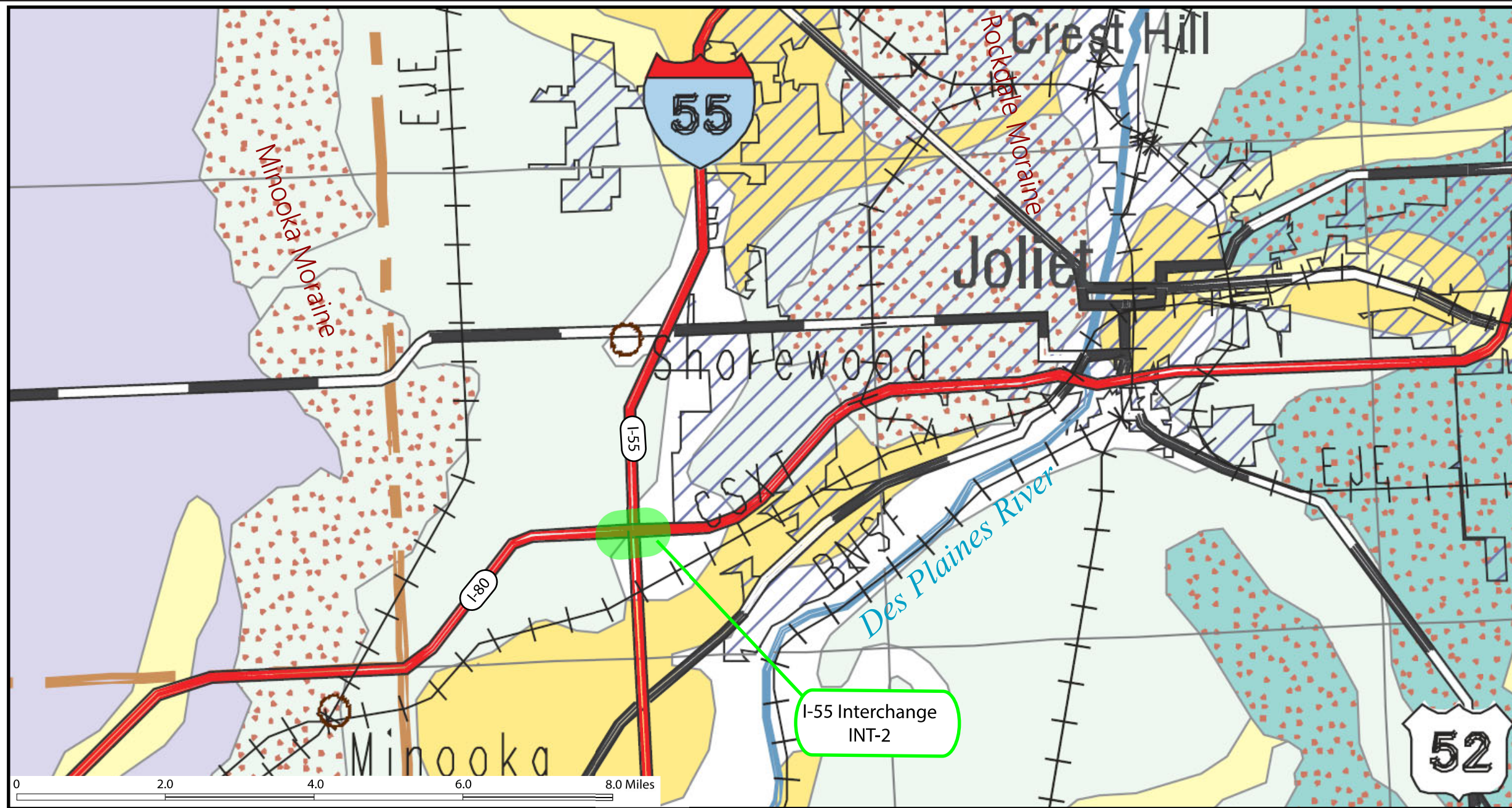
255-39-01



AASHTO Group Classification

- A-7-6
- A-6

SITE PEDOLOGICAL MAP: I-55 INTERCHANGE, I-80 RECONSTRUCTION FROM RIVER RD TO HOUBOLT RD; WILL COUNTY, ILLINOIS		
SCALE: GRAPHICAL	EXHIBIT 2-1	DRAWN BY: J. Bensen CHECKED BY: A. Hamad
		1145 N. Main Street Lombard, IL 60148 www.wangeng.com
FOR STANTEC		255-39-01

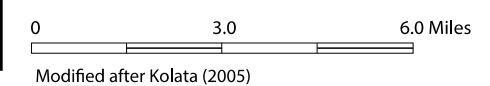


SITE AND REGIONAL GEOLOGY: I-80 RECONSTRUCTION FROM RIVER RD TO HOUBOLT RD; I-55 INTERCHANGE, INT-2, PTB 194/10, WILL COUNTY, ILLINOIS

SCALE: GRAPHICAL **EXHIBIT 3** DRAWN BY: J. Bensen
CHECKED BY: .Marin

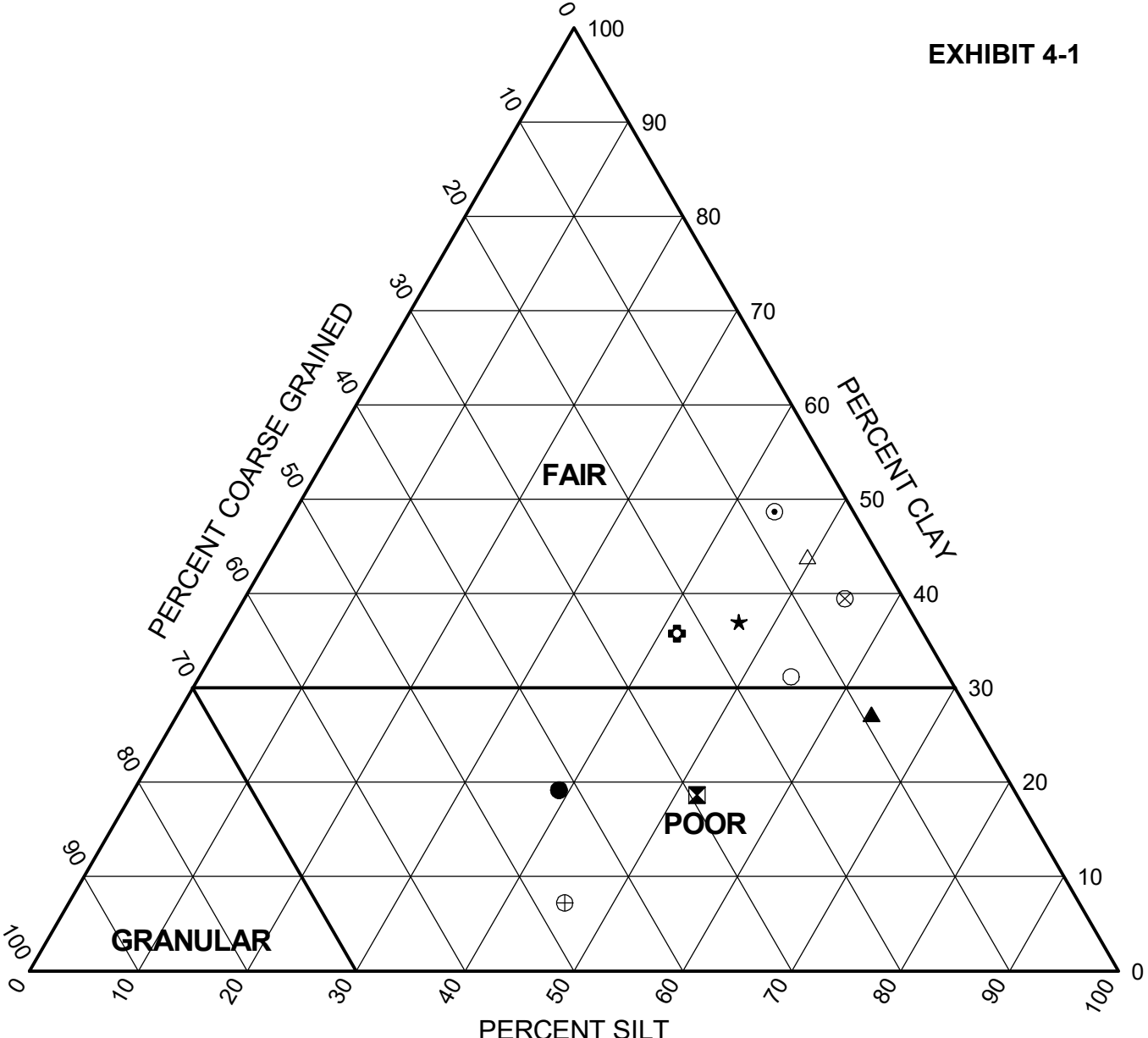
Wang Engineering
1145 N. Main Street
Lombard, IL 60148
www.wangeng.com

FOR STANTEC 255-39-01



Modified after William W. Shilts (2000)

EXHIBIT 4-1



	Sample	Depth (ft)	Coarse (%)	Silt (%)	Clay (%)	Classification		
						IL DOT	AASHTO	RATING
●	55AA-SGB-06#2	2.0	41.8	39.0	19.2	Gravelly Silty Clay Loam	A-7-6 (12)	POOR
⊠	55BB-SGB-02#3	4.0	29.4	52.0	18.6	Silty Clay Loam	A-6 (7)	POOR
▲	55B-SGB-02#2	3.0	9.1	63.7	27.2	Silty Clay Loam	A-6 (19)	POOR
★	55CC-SGB-01#2	2.0	16.4	46.6	37.0	Clay	A-6 (20)	FAIR
⊙	55DD-SGB-02#3	5.0	7.3	44.1	48.7	Clay	A-7-6 (25)	FAIR
⊕	55D-SGB-02#2	2.0	22.7	41.6	35.8	Clay	A-7-6 (23)	FAIR
○	55D-SGB-05#2	2.0	14.5	54.3	31.2	Silty Clay	A-6 (13)	FAIR
△	55SEFR-SGB-02#2	3.0	6.6	49.5	43.9	Clay	A-7-6 (37)	FAIR
⊗	AA-RWB-06#2	3.5	5.4	55.1	39.5	Silty Clay	A-7-6 (30)	FAIR
⊕	AA-RWB-12#3	6.0	47.3	45.5	7.2	Gravelly Silty Loam	A-4 (0)	POOR

WEI SSR 2553901.GPJ WANGENG.GDT 10/31/23

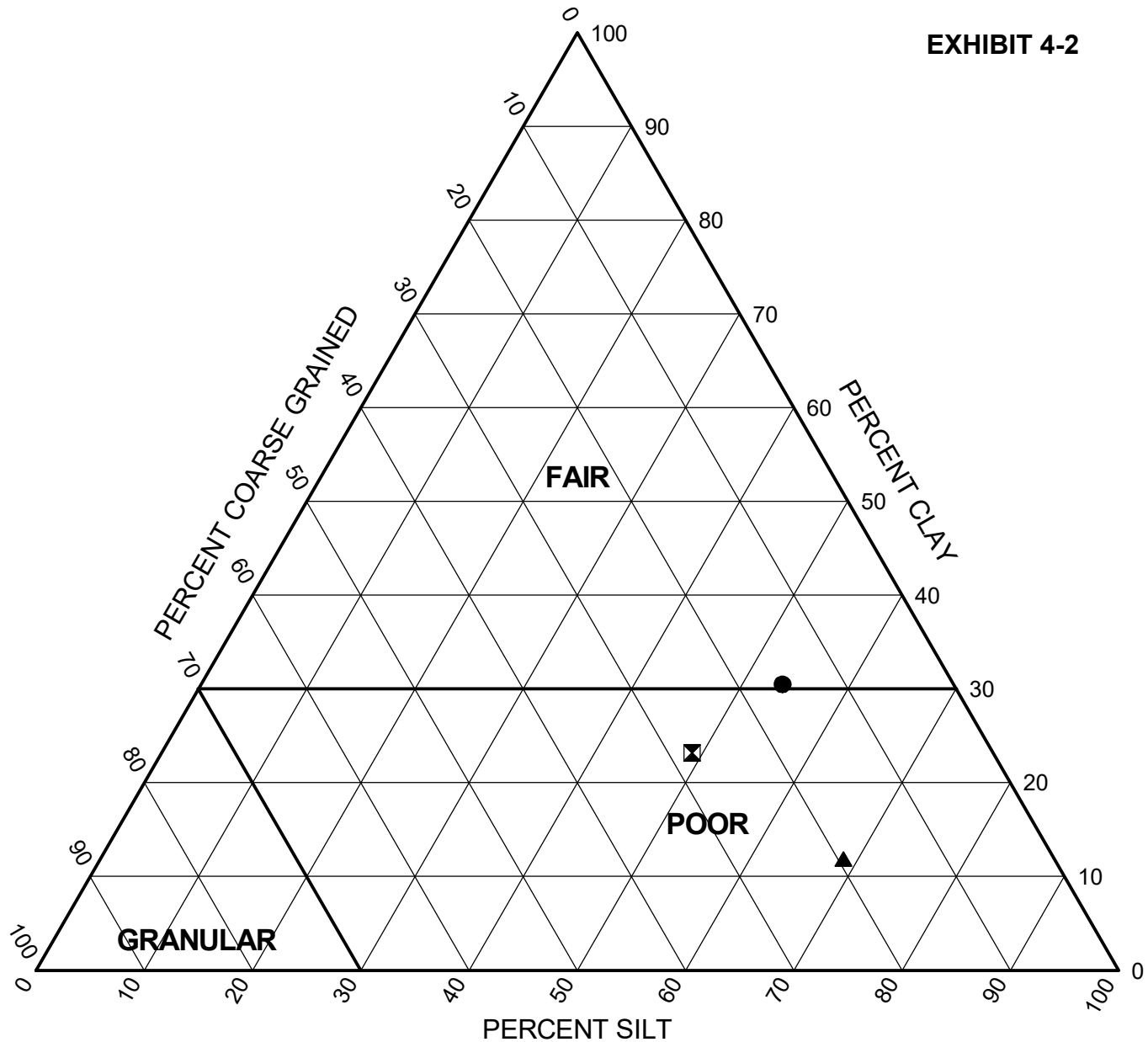
WEI
SINCE 1982

Wang Engineering
1145 North Main Street
60148
Telephone: (630) 953-9928
Fax: (630) 953-9938

Subgrade Support Rating Chart

Project: I-80 Reconstruction, Ridge Road to Houbolt Road
Location: Will County, Illinois
Number: 255-39-01

EXHIBIT 4-2



	Sample	Depth (ft)	Coarse (%)	Silt (%)	Clay (%)	Classification		
						IL DOT	AASHTO	RATING
●	AA-RWB-13#2	3.5	15.8	53.7	30.5	Silty Clay	A-6 (17)	FAIR
⊠	EB-SGB-31#2	2.0	27.8	49.0	23.2	Silty Clay Loam	A-6 (10)	POOR
▲	WB-SGB-34#3	4.0	19.5	68.6	11.9	Silty Loam	A-4 (4)	POOR

WEI SSR 2553901.GPJ WANGENG.GDT 10/31/23



Wang Engineering
 1145 North Main Street
 60148
 Telephone: (630) 953-9928
 Fax: (630) 953-9938

Subgrade Support Rating Chart
 Project: I-80 Reconstruction, Ridge Road to Houbolt Road
 Location: Will County, Illinois
 Number: 255-39-01

APPENDIX A



wangeng@wangeng.com
 1145 North Main Street
 60148
 Telephone: (630) 953-9928
 Fax: (630) 953-9938

BORING LOG 55AA-SGB-02

WEI Job No.: 255-39-01

Client **Stantec**
 Project **I-80 Reconstruction, Ridge Road to Houbolt Road**
 Location **Will County, Illinois**

Datum: NAVD 88
 Elevation: 594.19 ft
 North: 1755226.09 ft
 East: 1020690.05 ft
 Station: 13+30.92
 Offset: 7.98 RT

Profile	Elevation (ft)	SOIL AND ROCK DESCRIPTION	Depth (ft)	Sample Type recovery	Sample No.	SPT Values (blw/6 in)	Qu (tsf)	Moisture Content (%)	Profile	Elevation (ft)	SOIL AND ROCK DESCRIPTION	Depth (ft)	Sample Type recovery	Sample No.	SPT Values (blw/6 in)	Qu (tsf)	Moisture Content (%)	
	594.02	1-inch thick brown SILTY CLAY; dry --TOPSOIL--				3					SILTY CLAY LOAM, trace gravel; damp to moist							
		Very stiff to hard, brown and gray SILTY CLAY, trace gravel; damp --FILL-- --RDR 2--			1	6 7 10	3.50 P	20			--RDR 2--				6 8 15	2.38 B	16	
	590.7	Very stiff, black and gray CLAY to SILTY CLAY; damp --RDR 2--			2	6 9 10	4.50 P	16		576.2	Very stiff, gray SILTY LOAM to CLAY LOAM, little gravel; moist --RDR 2--				11 25 50/4"	2.38 B	9	
	588.4	Hard, brown and gray SILTY CLAY, trace gravel; damp --RDR 2--			3	6 6 10 10	2.46 B	32		573.7	Very dense, gray GRAVEL; saturated --RDR 2-- --Weathered BEDROCK--				10	NP	11	
					4	7 13 12 19	8.36 B	19		572.2	--AUGER REFUSAL-- Boring terminated at 22.00 ft							
					5	7 12 15 20	9.76 B	20										
					6	10 14	7.30 B	21										
	580.4	Orange and tan, SANDY LOAM, trace gravel; wet Very stiff, gray SILTY LOAM to			7	16 9 7	2.00 P	16										

GENERAL NOTES

WATER LEVEL DATA

Begin Drilling **12-08-2022** Complete Drilling **12-08-2022**
 Drilling Contractor **Wang Testing Services** Drill Rig **21GeoA[96%]**
 Driller **RR&JD** Logger **B. Miller** Checked by **C. Marin**
 Drilling Method **2.25" ID HSA; boring backfilled upon completion**

While Drilling ∇ **14.00 ft**
 At Completion of Drilling ∇ **13.00 ft**
 Time After Drilling **72 hours**
 Depth to Water ∇ **0.00 ft**

The stratification lines represent the approximate boundary between soil types; the actual transition may be gradual.

WANGENGINC 2553901.GPJ WANGENG.GDT 5/7/24



wangeng@wangeng.com
 1145 North Main Street
 60148
 Telephone: (630) 953-9928
 Fax: (630) 953-9938

BORING LOG 55AA-SGB-03

WEI Job No.: 255-39-01

Client **Stantec**
 Project **I-80 Reconstruction, Ridge Road to Houbolt Road**
 Location **Will County, Illinois**

Datum: NAVD 88
 Elevation: 583.90 ft
 North: 1754730.34 ft
 East: 1021062.81 ft
 Station: 19+56.46
 Offset: 11.8 RT

Profile	Elevation (ft)	SOIL AND ROCK DESCRIPTION	Depth (ft)	Sample Type recovery	Sample No.	SPT Values (blw/6 in)	Qu (tsf)	Moisture Content (%)	Profile	Elevation (ft)	SOIL AND ROCK DESCRIPTION	Depth (ft)	Sample Type recovery	Sample No.	SPT Values (blw/6 in)	Qu (tsf)	Moisture Content (%)
	583.2	6-inch thick, brown SILTY CLAY, trace gravel; damp				2											
		--TOPSOIL--			1	6	NP	20									
	582.2	Tan and gray, SANDY GRAVEL; damp				38											
		--FILL--				9											
		Hard, brown SILTY CLAY, trace gravel; damp			2	6	6.56 B	19									
		--RDR 2--				8											
						13											
						17											
	578.6	Medium dense, orange SANDY LOAM; wet to saturated			3	7	7.22 B	21									
						10											
						18											
	577.2	Stiff to very stiff, gray CLAY LOAM, trace to little gravel; damp to moist			4	7	2.38 B	17									
		--RDR 2--				4											
						3											
						8											
					5	5	2.54 B	15									
						8											
						15											
						14											
						10											
	571.9	--AUGER REFUSAL-- Boring terminated at 12.00 ft			6	10	1.31 B	10									
						50/3"											

GENERAL NOTES

WATER LEVEL DATA

Begin Drilling **12-08-2022** Complete Drilling **12-08-2022**
 Drilling Contractor **Wang Testing Services** Drill Rig **21GeoA[96%]**
 Driller **RR&JD** Logger **B. Miller** Checked by **C. Marin**
 Drilling Method **2.25" ID HSA; boring backfilled upon completion**

While Drilling ∇ **6.00 ft**
 At Completion of Drilling ∇ **6.00 ft**
 Time After Drilling **NA**
 Depth to Water ∇ **NA**

The stratification lines represent the approximate boundary between soil types; the actual transition may be gradual.

WANGENGINC 2553901.GPJ WANGENG.GDT 5/7/24



wangeng@wangeng.com
 1145 North Main Street
 60148
 Telephone: (630) 953-9928
 Fax: (630) 953-9938

BORING LOG 55AA-SGB-04

WEI Job No.: 255-39-01

Client **Stantec**
 Project **I-80 Reconstruction, Ridge Road to Houbolt Road**
 Location **Will County, Illinois**

Datum: NAVD 88
 Elevation: 577.82 ft
 North: 1754637.52 ft
 East: 1021237.11 ft
 Station: 21+51.52
 Offset: 14.31 RT

Profile	Elevation (ft)	SOIL AND ROCK DESCRIPTION	Depth (ft)	Sample Type recovery	Sample No.	SPT Values (blw/6 in)	Qu (tsf)	Moisture Content (%)	Profile	Elevation (ft)	SOIL AND ROCK DESCRIPTION	Depth (ft)	Sample Type recovery	Sample No.	SPT Values (blw/6 in)	Qu (tsf)	Moisture Content (%)
	577.0	10-inch thick, brown SILTY CLAY, trace gravel; damp --TOPSOIL--	4		1	4	NP	13									
	576.1	Orange and tan, SANDY LOAM, trace gravel; moist to wet --FILL--	6			13											
		Stiff, gray CLAY LOAM to SILTY LOAM, trace gravel; damp --RDR 2--	8		2	6	1.00 P	13									
	573.1	Very dense, gray Gravelly SANDY LOAM; wet --Weathered BEDROCK--	9		3	6											
	571.8	--AUGER REFUSAL-- Boring terminated at 6.00 ft	12			26											
			50/4"														

GENERAL NOTES

WATER LEVEL DATA

Begin Drilling **12-08-2022** Complete Drilling **12-08-2022**
 Drilling Contractor **Wang Testing Services** Drill Rig **21GeoA[96%]**
 Driller **RR&JD** Logger **B. Miller** Checked by **C. Marin**
 Drilling Method **3.25" ID HSA; boring backfilled upon completion**

While Drilling ∇ **2.50 ft**
 At Completion of Drilling \blacktriangledown **2.50 ft**
 Time After Drilling **72 hours**
 Depth to Water ∇ **0.00 ft**

The stratification lines represent the approximate boundary between soil types; the actual transition may be gradual.



wangeng@wangeng.com
 1145 North Main Street
 60148
 Telephone: (630) 953-9928
 Fax: (630) 953-9938

BORING LOG 55AA-SGB-05

WEI Job No.: 255-39-01

Client **Stantec**
 Project **I-80 Reconstruction, Ridge Road to Houbolt Road**
 Location **Will County, Illinois**

Datum: NAVD 88
 Elevation: 578.75 ft
 North: 1754627.70 ft
 East: 1021835.52 ft
 Station: 27+53.50
 Offset: 12.55 RT

Profile	Elevation (ft)	SOIL AND ROCK DESCRIPTION	Depth (ft)	Sample Type recovery	Sample No.	SPT Values (blw/6 in)	Qu (tsf)	Moisture Content (%)	Profile	Elevation (ft)	SOIL AND ROCK DESCRIPTION	Depth (ft)	Sample Type recovery	Sample No.	SPT Values (blw/6 in)	Qu (tsf)	Moisture Content (%)
	578.0	9-inch thick, very stiff, brown SILTY CLAY, trace gravel; damp --TOPSOIL--			1	5											
		Very stiff, brown SILTY LOAM to SILTY CLAY LOAM, trace gravel; damp				4	3.50	28									
		--RDR 2-- --L _L (%)=34, P _L (%)=22-- --%Gravel=3.6-- --%Sand=21.8-- --%Silt=59.4-- --%Clay=15.2-- --A-6 (8)--				5	P										
	575.6				2	6	3.36	26									
		Hard, orange, brown and gray SILTY CLAY LOAM, trace to some gravel; damp				7	B										
	573.6				3	11											
		--RDR 2-3-- --AUGER REFUSAL-- Boring terminated at 5.20 ft				12											
						6	4.50	18									
						18	P										
						50/2"											

GENERAL NOTES

WATER LEVEL DATA

Begin Drilling **12-29-2022** Complete Drilling **12-29-2022**
 Drilling Contractor **Wang Testing Services** Drill Rig **21D120A[78%]**
 Driller **NC&DZ** Logger **B. Miller** Checked by **C. Marin**
 Drilling Method **3.25" ID HSA; boring backfilled upon completion**

While Drilling ∇ **DRY**
 At Completion of Drilling ∇ **NA**
 Time After Drilling **24 hours**
 Depth to Water ∇ **Dry (cave in 4 ft) ft**

The stratification lines represent the approximate boundary between soil types; the actual transition may be gradual.



wangeng@wangeng.com
 1145 North Main Street
 60148
 Telephone: (630) 953-9928
 Fax: (630) 953-9938

BORING LOG 55AA-SGB-06

WEI Job No.: 255-39-01

Client **Stantec**
 Project **I-80 Reconstruction, Ridge Road to Houbolt Road**
 Location **Will County, Illinois**

Datum: NAVD 88
 Elevation: 587.66 ft
 North: 1754996.00 ft
 East: 1022396.07 ft
 Station: 34+23.31
 Offset: 1.52 RT

Profile	Elevation (ft)	SOIL AND ROCK DESCRIPTION	Depth (ft)	Sample Type recovery	Sample No.	SPT Values (blw/6 in)	Qu (tsf)	Moisture Content (%)	Profile	Elevation (ft)	SOIL AND ROCK DESCRIPTION	Depth (ft)	Sample Type recovery	Sample No.	SPT Values (blw/6 in)	Qu (tsf)	Moisture Content (%)
	587.2	5-inch thick, brown SILTY CLAY, trace gravel; damp --TOPSOIL--	2		1	2											
	586.2	Hard, brown CLAY LOAM, little gravel; damp --FILL-- --RDR 2--	4			4	4.50	17									
	583.9	Stiff, brown Gravelly SILTY CLAY LOAM to CLAY LOAM; wet --RDR 2-- --L _L (%)=44, P _L (%)=18-- --%Gravel=23.3-- --%Sand=18.4-- --%Silt=39.0-- --%Clay=19.2-- --A-7-6 (12)--	3		2	3	1.07	28									
	582.7	Very dense, orange and light gray GRAVEL; dry to damp --with clay-- --Weathered BEDROCK-- --AUGER REFUSAL-- Boring terminated at 5.00 ft	5		3	28	NP	12									

GENERAL NOTES

Begin Drilling **12-30-2022** Complete Drilling **12-30-2022**
 Drilling Contractor **Wang Testing Services** Drill Rig **21D120A[78%]**
 Driller **NC&DZ** Logger **B. Miller** Checked by **C. Marin**
 Drilling Method **3.25" ID HSA; boring backfilled upon completion**

WATER LEVEL DATA

While Drilling ∇ **2.00 ft**
 At Completion of Drilling \blacktriangledown **3.00 ft**
 Time After Drilling **NA**
 Depth to Water ∇ **NA**

The stratification lines represent the approximate boundary between soil types; the actual transition may be gradual.



wangeng@wangeng.com
 1145 North Main Street
 60148
 Telephone: (630) 953-9928
 Fax: (630) 953-9938

BORING LOG 55BB-SGB-01

WEI Job No.: 255-39-01

Client **Stantec**
 Project **I-80 Reconstruction, Ridge Road to Houbolt Road**
 Location **Will County, Illinois**

Datum: NAVD 88
 Elevation: 581.52 ft
 North: 1754790.45 ft
 East: 1021823.56 ft
 Station: 25+10.56
 Offset: 6.78 RT

Profile	Elevation (ft)	SOIL AND ROCK DESCRIPTION	Depth (ft)	Sample Type recovery	Sample No.	SPT Values (blw/6 in)	Qu (tsf)	Moisture Content (%)	Profile	Elevation (ft)	SOIL AND ROCK DESCRIPTION	Depth (ft)	Sample Type recovery	Sample No.	SPT Values (blw/6 in)	Qu (tsf)	Moisture Content (%)
	581.0	6-inch thick SILTY LOAM --TOPSOIL--				8											
		Very stiff, brown and black SILTY LOAM, trace gravel; damp to wet --FILL-- --RDR 2-3--			1	10 12	2.38 B	8									
					2	4 4 5 7	3.85 B	12									
	577.8	Very stiff, black SILTY CLAY LOAM, trace gravel; damp --Buried TOPSOIL--				4 5 7											
	576.4	Very dense, gray GRAVEL --Weathered BEDROCK--			3	4 5 6 49	2.79 B	26									
	575.3	--AUGER REFUSAL-- Boring terminated at 6.25 ft			4	52/3	NP	4									

GENERAL NOTES

WATER LEVEL DATA

Begin Drilling **06-28-2022** Complete Drilling **06-28-2022**
 Drilling Contractor **Wang Testing Services** Drill Rig **20CME55T[81%]**
 Driller **RR&JD** Logger **L. Varzaru** Checked by **C. Marin**
 Drilling Method **2.25" ID HSA; boring backfilled upon completion**

While Drilling ∇ **DRY**
 At Completion of Drilling ∇ **DRY**
 Time After Drilling **NA**
 Depth to Water ∇ **NA**

The stratification lines represent the approximate boundary between soil types; the actual transition may be gradual.



wangeng@wangeng.com
 1145 North Main Street
 60148
 Telephone: (630) 953-9928
 Fax: (630) 953-9938

BORING LOG 55BB-SGB-02

WEI Job No.: 255-39-01

Client **Stantec**
 Project **I-80 Reconstruction, Ridge Road to Houbolt Road**
 Location **Will County, Illinois**

Datum: NAVD 88
 Elevation: 589.80 ft
 North: 1755097.52 ft
 East: 1022230.11 ft
 Station: 19+07.70
 Offset: 11.52 RT

Profile	Elevation (ft)	SOIL AND ROCK DESCRIPTION	Depth (ft)	Sample Type recovery	Sample No.	SPT Values (blw/6 in)	Qu (tsf)	Moisture Content (%)	Profile	Elevation (ft)	SOIL AND ROCK DESCRIPTION	Depth (ft)	Sample Type recovery	Sample No.	SPT Values (blw/6 in)	Qu (tsf)	Moisture Content (%)
	588.6	Medium dense, gray SANDY GRAVEL; damp --FILL--	4		1	4	NP	4									
		Very stiff to hard, brown SILTY CLAY LOAM to SILTY LOAM, trace gravel; damp --FILL-- --RDR 2--	8		2	7											
			7			4											
			3			7	3.36 B	13									
			5			5											
			7			7											
		--L _L (%)=28, P _L (%)=15-- --%Gravel=12.4-- --%Sand=17.0-- --%Silt=52.0-- --%Clay=18.6-- --A-6 (7)--	4		3	6	4.92 B	13									
			6			7											
			6			6											
			7			6											
			7		4	6	3.50 P	15									
			6			6											
			4			4											
			9		5	15	3.20 B	16									
	580.1	Very stiff, brown and gray SILTY LOAM, trace gravel; damp --RDR 2-3--	10			8											
			14		6	14											
			16			16	2.62 B	7									
	578.1	Stiff, gray SILTY CLAY; damp --RDR 2--	8			8											
			6			6											
			6			6	1.50 P	26									
	576.6	Dense, brown SILTY LOAM; moist --RDR 3--	6			6											
			6			6											
	575.3	--Weathered BEDROCK--	17		8	17	NP	11									
	574.8	Boring terminated at 15.00 ft	32			32											

WANGENGINC 2553901.GPJ WANGENG.GDT 5/7/24

GENERAL NOTES

Begin Drilling **06-28-2022** Complete Drilling **06-28-2022**
 Drilling Contractor **Wang Testing Services** Drill Rig **20CME55T[81%]**
 Driller **RR&JD** Logger **L. Varzaru** Checked by **C. Marin**
 Drilling Method **2.25" ID HSA; boring backfilled upon completion**

WATER LEVEL DATA

While Drilling ∇ **DRY**
 At Completion of Drilling ∇ **DRY**
 Time After Drilling **NA**
 Depth to Water ∇ **NA**

The stratification lines represent the approximate boundary between soil types; the actual transition may be gradual.



wangeng@wangeng.com
 1145 North Main Street
 60148
 Telephone: (630) 953-9928
 Fax: (630) 953-9938

BORING LOG 55BB-SGB-03

WEI Job No.: 255-39-01

Client **Stantec**
 Project **I-80 Reconstruction, Ridge Road to Houbolt Road**
 Location **Will County, Illinois**

Datum: NAVD 88
 Elevation: 596.89 ft
 North: 1755297.83 ft
 East: 1022123.93 ft
 Station: 16+53.62
 Offset: 20.73 RT

Profile	Elevation (ft)	SOIL AND ROCK DESCRIPTION	Depth (ft)	Sample Type recovery	Sample No.	SPT Values (blw/6 in)	Qu (tsf)	Moisture Content (%)	Profile	Elevation (ft)	SOIL AND ROCK DESCRIPTION	Depth (ft)	Sample Type recovery	Sample No.	SPT Values (blw/6 in)	Qu (tsf)	Moisture Content (%)
	596.6	4-inch thick, black SILTY LOAM; damp				4											
	596.4	--TOPSOIL-- Gray SANDY GRAVEL; damp			1	6	4.50	5		580.9	Boring terminated at 16.00 ft			8	10	2.95	25
		--FILL-- Very stiff to hard, brown, black and gray CLAY LOAM to SILTY LOAM, trace gravel; damp			2	3	2.21	16							10	B	
		--RDR 2--			3	4											
			5		3	6	2.38	11				20					
					4	4											
					4	6	3.50	7									
					4	6											
					5	3	2.25	11									
					5	3											
			10		3	3											
					6	3	3.75	7									
	585.4	Very stiff, black and brown SILTY CLAY, trace gravel; damp			7	2	2.13	22									
		--FILL-- Very stiff, black and brown SILTY CLAY, trace gravel; damp			7	2											
		--RDR 2--			7	5											
	583.4	Very stiff, black SILTY CLAY, trace gravel; damp			6	6											
		--Buried TOPSOIL-- Very stiff, black SILTY CLAY, trace gravel; damp			7	4											
		--RDR 2--			7	7						30					

GENERAL NOTES

WATER LEVEL DATA

Begin Drilling **06-28-2022** Complete Drilling **06-28-2022**
 Drilling Contractor **Wang Testing Services** Drill Rig **20CME55T[81%]**
 Driller **RR&JD** Logger **L. Varzaru** Checked by **C. Marin**
 Drilling Method **2.25" ID HSA; boring backfilled upon completion**

While Drilling **DRY**
 At Completion of Drilling **DRY**
 Time After Drilling **NA**
 Depth to Water **NA**

The stratification lines represent the approximate boundary between soil types; the actual transition may be gradual.

WANGENGINC 2553901.GPJ WANGENG.GDT 5/7/24



wangeng@wangeng.com
 1145 North Main Street
 60148
 Telephone: (630) 953-9928
 Fax: (630) 953-9938

BORING LOG 55B-SGB-01-HA

WEI Job No.: 255-39-01

Client **Stantec**
 Project **I-80 Reconstruction, Ridge Road to Houbolt Road**
 Location **Will County, Illinois**

Datum: NAVD 88
 Elevation: 568.71 ft
 North: 1753362.60 ft
 East: 1021616.48 ft
 Station: 1002+37.61
 Offset: 8.13 RT

Profile	Elevation (ft)	SOIL AND ROCK DESCRIPTION	Depth (ft)	Sample Type recovery	Sample No.	SPT Values (blw/6 in)	Qu (tsf)	Moisture Content (%)	Profile	Elevation (ft)	SOIL AND ROCK DESCRIPTION	Depth (ft)	Sample Type recovery	Sample No.	SPT Values (blw/6 in)	Qu (tsf)	Moisture Content (%)
	568.53	3-inch thick, black SANDY GRAVEL --SHOULDER-- Soft to very stiff, brown and gray SILTY CLAY to SILTY CLAY LOAM, trace gravel; damp --FILL--			1	P U S H	0.25 P	18									
					2	P U S H	3.00 P	24									
			5		3	P U S H	3.00 P	16									
	563.0 562.8	Brown and black Gravelly SANDY LOAM; damp --FILL-- Very stiff to hard, brown to gray SILTY CLAY LOAM, trace gravel; damp			4	P U S H	4.25 P	16									
					5	P U S H	3.25 P	20									
	558.7	Boring terminated at 10.00 ft	10														

GENERAL NOTES

WATER LEVEL DATA

Begin Drilling **07-08-2022** Complete Drilling **07-08-2022**
 Drilling Contractor **Wang Testing Services** Drill Rig **Geoprobe HA**
 Driller **KS&PH** Logger **L. Varzaru** Checked by **C. Marin**
 Drilling Method **.1" ID HSA; boring backfilled upon completion**

While Drilling ∇ **DRY**
 At Completion of Drilling ∇ **DRY**
 Time After Drilling **NA**
 Depth to Water ∇ **NA**

The stratification lines represent the approximate boundary between soil types; the actual transition may be gradual.



wangeng@wangeng.com
 1145 North Main Street
 60148
 Telephone: (630) 953-9928
 Fax: (630) 953-9938

BORING LOG 55B-SGB-02

WEI Job No.: 255-39-01

Client **Stantec**
 Project **I-80 Reconstruction, Ridge Road to Houbolt Road**
 Location **Will County, Illinois**

Datum: NAVD 88
 Elevation: 575.30 ft
 North: 1753656.25 ft
 East: 1021617.49 ft
 Station: 1005+31.13
 Offset: 2.26 RT

Profile	Elevation (ft)	SOIL AND ROCK DESCRIPTION	Depth (ft)	Sample Type recovery	Sample No.	SPT Values (blw/6 in)	Qu (tsf)	Moisture Content (%)	Profile	Elevation (ft)	SOIL AND ROCK DESCRIPTION	Depth (ft)	Sample Type recovery	Sample No.	SPT Values (blw/6 in)	Qu (tsf)	Moisture Content (%)
	574.4	11-inch thick CONCRETE --PAVEMENT--															
	573.3	Gray CRUSHED STONE --AGGREGATE BASE--			1	3	NP	3									
		Stiff to very stiff, brown SILTY CLAY LOAM, trace gravel; damp --FILL-- --RDR 2-- --L _L (%)=36, P _L (%)=14-- --%Gravel=0.2-- --%Sand=8.9-- --%Silt=63.7-- --%Clay=27.2-- --A-6 (19)--			2	2	1.56 B	19									
		--2-inch thick sand seam; wet--			3	3	2.13 B	16									
					4	3	2.62 B	16									
	566.5	Hard, brown SILTY CLAY LOAM, trace gravel; damp --RDR 2--			5	4	4.18 B	14									
	564.3	Boring terminated at 11.00 ft															

GENERAL NOTES

WATER LEVEL DATA

Begin Drilling **07-05-2022** Complete Drilling **07-05-2022**
 Drilling Contractor **Wang Testing Services** Drill Rig **17B57T [91%]**
 Driller **KS&PH** Logger **F. Bozga** Checked by **C. Marin**
 Drilling Method **2.25" ID HSA; boring backfilled upon completion**

While Drilling ∇ **6.00 ft**
 At Completion of Drilling \blacktriangledown **DRY**
 Time After Drilling **NA**
 Depth to Water ∇ **NA**

The stratification lines represent the approximate boundary between soil types; the actual transition may be gradual.



wangeng@wangeng.com
 1145 North Main Street
 60148
 Telephone: (630) 953-9928
 Fax: (630) 953-9938

BORING LOG 55B-SGB-03

WEI Job No.: 255-39-01

Client **Stantec**
 Project **I-80 Reconstruction, Ridge Road to Houbolt Road**
 Location **Will County, Illinois**

Datum: NAVD 88
 Elevation: 577.46 ft
 North: 1753958.09 ft
 East: 1021628.06 ft
 Station: 1008+33.13
 Offset: 6.26 RT

Profile	Elevation (ft)	SOIL AND ROCK DESCRIPTION	Depth (ft)	Sample Type recovery	Sample No.	SPT Values (blw/6 in)	Qu (tsf)	Moisture Content (%)	Profile	Elevation (ft)	SOIL AND ROCK DESCRIPTION	Depth (ft)	Sample Type recovery	Sample No.	SPT Values (blw/6 in)	Qu (tsf)	Moisture Content (%)
	577.0	6-inch thick, gray SANDY GRAVEL				7											
		--SHOULDER--			1	4	NP	4									
	576.0	Medium dense, black CRUSHED ASPHALT; dry				8											
		--FILL--				8											
		Medium stiff to stiff, brown SILTY CLAY LOAM, trace gravel			2	4	0.75	14									
		--FILL--				4	P										
		--RDR 2--				2											
						3											
			5		3	2	1.07	21									
						3	B										
						3											
	570.6	Very dense, brown SANDY GRAVEL; moist			4	4	1.48	16									
		--Weathered BEDROCK--				6	B										
		--RDR 2--				11											
						18											
					5	32	NP	7									
						27											
	567.8	Boring terminated at 9.70 ft	10			50/2"											

GENERAL NOTES

WATER LEVEL DATA

Begin Drilling **07-05-2022** Complete Drilling **07-05-2022**
 Drilling Contractor **Wang Testing Services** Drill Rig **17B57T [91%]**
 Driller **KS&PH** Logger **F. Bozga** Checked by **C. Marin**
 Drilling Method **2.25" ID HSA; boring backfilled upon completion**

While Drilling ∇ **4.00 ft**
 At Completion of Drilling ∇ **DRY**
 Time After Drilling **NA**
 Depth to Water ∇ **NA**

The stratification lines represent the approximate boundary between soil types; the actual transition may be gradual.



wangeng@wangeng.com
 1145 North Main Street
 60148
 Telephone: (630) 953-9928
 Fax: (630) 953-9938

BORING LOG 55B-SGB-04

WEI Job No.: 255-39-01

Client **Stantec**
 Project **I-80 Reconstruction, Ridge Road to Houbolt Road**
 Location **Will County, Illinois**

Datum: NAVD 88
 Elevation: 577.62 ft
 North: 1754254.58 ft
 East: 1021701.28 ft
 Station: 1011+45.36
 Offset: 26.29 RT

Profile	Elevation (ft)	SOIL AND ROCK DESCRIPTION	Depth (ft)	Sample Type recovery	Sample No.	SPT Values (blw/6 in)	Qu (tsf)	Moisture Content (%)	Profile	Elevation (ft)	SOIL AND ROCK DESCRIPTION	Depth (ft)	Sample Type recovery	Sample No.	SPT Values (blw/6 in)	Qu (tsf)	Moisture Content (%)	
	577.1	6-inch thick, gray SANDY GRAVEL --SHOULDER-- Medium dense, black CRUSHED ASPHALT; dry --FILL--	11		1	5 9 7	NP	3										
	574.6	Medium dense to very dense, brown Gravelly LOAM; dry to damp --Highly Weathered BEDROCK-- --RDR 2-4--	4 7 10		2	4 4	NR											
			5		3	4 7 7 8	NP	9										
					4	15 24	NP	8										
						50/4"												
	570.1	Very dense, brown SANDY GRAVEL --Weathered BEDROCK-- --RDR 3-4--			5			NP	8									
	569.4	Boring terminated at 8.20 ft																
				10														
				15														

GENERAL NOTES

Begin Drilling **07-05-2022** Complete Drilling **07-05-2022**
 Drilling Contractor **Wang Testing Services** Drill Rig **17B57T [91%]**
 Driller **KS&PH** Logger **F. Bozga** Checked by **C. Marin**
 Drilling Method **2.25" ID HSA; boring backfilled upon completion**

WATER LEVEL DATA

While Drilling **DRY**
 At Completion of Drilling **DRY**
 Time After Drilling **NA**
 Depth to Water **NA**

The stratification lines represent the approximate boundary between soil types; the actual transition may be gradual.



wangeng@wangeng.com
 1145 North Main Street
 60148
 Telephone: (630) 953-9928
 Fax: (630) 953-9938

BORING LOG 55B-SGB-05

WEI Job No.: 255-39-01

Client **Stantec**
 Project **I-80 Reconstruction, Ridge Road to Houbolt Road**
 Location **Will County, Illinois**

Datum: NAVD 88
 Elevation: 579.45 ft
 North: 1754495.50 ft
 East: 1021865.94 ft
 Station: 1014+50.88
 Offset: 43.344 RT

Profile	Elevation (ft)	SOIL AND ROCK DESCRIPTION	Depth (ft)	Sample Type recovery	Sample No.	SPT Values (blw/6 in)	Qu (tsf)	Moisture Content (%)	Profile	Elevation (ft)	SOIL AND ROCK DESCRIPTION	Depth (ft)	Sample Type recovery	Sample No.	SPT Values (blw/6 in)	Qu (tsf)	Moisture Content (%)
	578.5	12-inch thick, medium dense, gray SANDY GRAVEL --SHOULDER-- --Qu: 2.50P--	8		1	8	NP	4									
		Very stiff to hard, brown SILTY CLAY LOAM, trace gravel --FILL-- --RDR 2--	7			7											
			5			5											
	575.7		3		2	3	4.26 B	16									
			3			3											
			5			5											
	574.5	Very dense, brown GRAVELLY LOAM; damp --Highly Weathered BEDROCK--	7		3	7	NP	9									
		--AUGER REFUSAL-- Boring terminated at 5.00 ft	50/5"			50/5"											

GENERAL NOTES

WATER LEVEL DATA

Begin Drilling **07-05-2022** Complete Drilling **07-05-2022**
 Drilling Contractor **Wang Testing Services** Drill Rig **17B57T [91%]**
 Driller **KS&PH** Logger **F. Bozga** Checked by **C. Marin**
 Drilling Method **2.25" ID HSA; boring backfilled upon completion**

While Drilling ∇ **DRY**
 At Completion of Drilling ∇ **DRY**
 Time After Drilling **NA**
 Depth to Water ∇ **NA**

The stratification lines represent the approximate boundary between soil types; the actual transition may be gradual.



wangeng@wangeng.com
 1145 North Main Street
 60148
 Telephone: (630) 953-9928
 Fax: (630) 953-9938

BORING LOG 55B-SGB-06

WEI Job No.: 255-39-01

Client **Stantec**
 Project **I-80 Reconstruction, Ridge Road to Houbolt Road**
 Location **Will County, Illinois**

Datum: NAVD 88
 Elevation: 581.81 ft
 North: 1754703.73 ft
 East: 1022074.32 ft
 Station: 1017+52.65
 Offset: 18.26 RT

Profile	Elevation (ft)	SOIL AND ROCK DESCRIPTION	Depth (ft)	Sample Type recovery	Sample No.	SPT Values (blw/6 in)	Qu (tsf)	Moisture Content (%)	Profile	Elevation (ft)	SOIL AND ROCK DESCRIPTION	Depth (ft)	Sample Type recovery	Sample No.	SPT Values (blw/6 in)	Qu (tsf)	Moisture Content (%)
	580.8	12-inch thick, medium dense, gray SANDY GRAVEL --SHOULDER--	12		1	9	NP	5									
		Very stiff, brown and gray SILTY CLAY to SILTY CLAY LOAM, trace gravel; damp --FILL-- --RDR 2--	11		2	5											
			6			23	2.50 P	14									
			3			6											
			6			6											
		--L ₁ (%)=33, P ₁ (%)=15-- --%Gravel=1.9-- --%Sand=9.9-- --%Silt=55.2-- --%Clay=32.9-- --A-6 (15)--	5		3	6	3.28 B	17									
	576.1	Medium dense, brown and gray SILTY LOAM, trace gravel; moist --RDR 2--	9		4	11	NP	11									
	574.1	Very dense, brown SANDY GRAVEL	11		5	17	NP	5									
	573.6	--Weathered BEDROCK--	12			50/3											
		Boring terminated at 8.25 ft															

GENERAL NOTES

WATER LEVEL DATA

Begin Drilling **07-05-2022** Complete Drilling **07-05-2022**
 Drilling Contractor **Wang Testing Services** Drill Rig **17B57T [91%]**
 Driller **KS&PH** Logger **F. Bozga** Checked by **C. Marin**
 Drilling Method **2.25" ID HSA; boring backfilled upon completion**

While Drilling ∇ **DRY**
 At Completion of Drilling ∇ **DRY**
 Time After Drilling **NA**
 Depth to Water ∇ **NA**

The stratification lines represent the approximate boundary between soil types; the actual transition may be gradual.



wangeng@wangeng.com
 1145 North Main Street
 60148
 Telephone: (630) 953-9928
 Fax: (630) 953-9938

BORING LOG 55B-SGB-07

WEI Job No.: 255-39-01

Client **Stantec**
 Project **I-80 Reconstruction, Ridge Road to Houbolt Road**
 Location **Will County, Illinois**

Datum: NAVD 88
 Elevation: 581.94 ft
 North: 1754882.23 ft
 East: 1022324.26 ft
 Station: 1020+59.94
 Offset: 25.56 RT

Profile	Elevation (ft)	SOIL AND ROCK DESCRIPTION	Depth (ft)	Sample Type recovery	Sample No.	SPT Values (blw/6 in)	Qu (tsf)	Moisture Content (%)	Profile	Elevation (ft)	SOIL AND ROCK DESCRIPTION	Depth (ft)	Sample Type recovery	Sample No.	SPT Values (blw/6 in)	Qu (tsf)	Moisture Content (%)
	581.1	10-inch thick ASPHALT --PAVEMENT--															
	579.2	Medium dense, brown GRAVELLY LOAM; damp --BASE COURSE--			1	8 6 20 6	NP	7									
	577.7	Very stiff, brown SILTY CLAY LOAM to CLAY LOAM, trace gravel; damp --FILL-- --RDR 2--			2	8 6 6 3	2.50 P	13									
	576.4	Very stiff, brown SILTY CLAY LOAM, trace gravel; damp --RDR 2--			3	3 29 50/4"	2.75 P	21									
	573.9	Very dense, brown SANDY GRAVEL; dry --Weathered BEDROCK-- --RDR 4-5--			4	50/4"	NP	5									
		--AUGER REFUSAL-- Boring terminated at 8.00 ft															

GENERAL NOTES

WATER LEVEL DATA

Begin Drilling **07-06-2022** Complete Drilling **07-06-2022**
 Drilling Contractor **Wang Testing Services** Drill Rig **17B57T [91%]**
 Driller **KS&PH** Logger **F. Bozga** Checked by **C. Marin**
 Drilling Method **2.25" ID HSA; boring backfilled upon completion**

While Drilling ∇ **DRY**
 At Completion of Drilling ∇ **DRY**
 Time After Drilling **NA**
 Depth to Water ∇ **NA**

The stratification lines represent the approximate boundary between soil types; the actual transition may be gradual.



wangeng@wangeng.com
 1145 North Main Street
 60148
 Telephone: (630) 953-9928
 Fax: (630) 953-9938

BORING LOG 55B-SGB-08

WEI Job No.: 255-39-01

Client **Stantec**
 Project **I-80 Reconstruction, Ridge Road to Houbolt Road**
 Location **Will County, Illinois**

Datum: NAVD88
 Elevation: 577.17 ft
 North: 1755107.20 ft
 East: 1022618.44 ft
 Station: 1024+30.30
 Offset: 7.1 LT

Profile	Elevation (ft)	SOIL AND ROCK DESCRIPTION	Depth (ft)	Sample Type recovery	Sample No.	SPT Values (blw/6 in)	Qu (tsf)	Moisture Content (%)	Profile	Elevation (ft)	SOIL AND ROCK DESCRIPTION	Depth (ft)	Sample Type recovery	Sample No.	SPT Values (blw/6 in)	Qu (tsf)	Moisture Content (%)
	576.93	93-inch thick brown SILTY CLAY LOAM, trace gravel --TOPSOIL--															
		Very dense, tan to light gray SANDY GRAVEL; damp --RDR 2--		X	1	16 50/3"	NP	6									
	574.2	Very dense, tan to gray SANDY GRAVEL; damp --RDR 2-3-- --WEATHERED BEDROCK--		X	2	50/5"	NP	5									
			5														
				X	3	50/3"	NP	2									
	570.2	--AUGER REFUSAL-- Boring terminated at 7.00 ft															
			10														
			15														

GENERAL NOTES

WATER LEVEL DATA

Begin Drilling **06-22-2023** Complete Drilling **06-22-2023**
 Drilling Contractor **Wang Testing Services** Drill Rig **20D50T [80%]**
 Driller **KG&TC** Logger **B. Miller** Checked by **C. Marin**
 Drilling Method **2.25" ID HSA; boring backfilled upon completion**

While Drilling ∇ **DRY**
 At Completion of Drilling ∇ **DRY**
 Time After Drilling **NA**
 Depth to Water ∇ **NA**

The stratification lines represent the approximate boundary between soil types; the actual transition may be gradual.



wangeng@wangeng.com
 1145 North Main Street
 60148
 Telephone: (630) 953-9928
 Fax: (630) 953-9938

BORING LOG 55B-SGB-09

WEI Job No.: 255-39-01

Client **Stantec**
 Project **I-80 Reconstruction, Ridge Road to Houbolt Road**
 Location **Will County, Illinois**

Datum: Wang Srvy
 Elevation: 581.48 ft
 North: 1755178.94 ft
 East: 1022845.15 ft
 Station: 1026+66.30
 Offset: 29.01 RT

Profile	Elevation (ft)	SOIL AND ROCK DESCRIPTION	Depth (ft)	Sample Type recovery	Sample No.	SPT Values (blw/6 in)	Qu (tsf)	Moisture Content (%)	Profile	Elevation (ft)	SOIL AND ROCK DESCRIPTION	Depth (ft)	Sample Type recovery	Sample No.	SPT Values (blw/6 in)	Qu (tsf)	Moisture Content (%)
	581.32	32-inch thick brown SILTY CLAY LOAM, trace gravel --TOPSOIL--															
		Very dense, tan to light gray SANDY GRAVEL; damp --RDR 2--			1	7 20 50/2"	NP	8									
					2	50/4"	NP	5									
	576.0	Very dense, tan to light gray SANDY GRAVEL; damp --RDR 2-3-- --WEATHERED BEDROCK--			3	50/2"	NP	4									
	574.5	--AUGER REFUSAL-- Boring terminated at 7.00 ft															

GENERAL NOTES

Begin Drilling **06-22-2023** Complete Drilling **06-22-2023**
 Drilling Contractor **Wang Testing Services** Drill Rig **20D50T [80%]**
 Driller **KG&TC** Logger **B. Miller** Checked by **C. Marin**
 Drilling Method **2.25" ID HSA; boring backfilled upon completion**

WATER LEVEL DATA

While Drilling ∇ **DRY**
 At Completion of Drilling ∇ **DRY**
 Time After Drilling **NA**
 Depth to Water ∇ **NA**

The stratification lines represent the approximate boundary between soil types; the actual transition may be gradual.



wangeng@wangeng.com
 1145 North Main Street
 60148
 Telephone: (630) 953-9928
 Fax: (630) 953-9938

BORING LOG 55B-SGB-10

WEI Job No.: 255-39-01

Client **Stantec**
 Project **I-80 Reconstruction, Ridge Road to Houbolt Road**
 Location **Will County, Illinois**

Datum: Wang Srvy
 Elevation: 574.18 ft
 North: 1755301.40 ft
 East: 1023124.61 ft
 Station: 1029+73.50
 Offset: 13.98 RT

Profile	Elevation (ft)	SOIL AND ROCK DESCRIPTION	Depth (ft)	Sample Type recovery	Sample No.	SPT Values (blw/6 in)	Qu (tsf)	Moisture Content (%)	Profile	Elevation (ft)	SOIL AND ROCK DESCRIPTION	Depth (ft)	Sample Type recovery	Sample No.	SPT Values (blw/6 in)	Qu (tsf)	Moisture Content (%)
	574.02	0.2-inch thick brown SILTY CLAY LOAM, trace gravel --TOPSOIL--															
		Very dense, tan to light gray SANDY GRAVEL; damp --RDR 2-3--		X	1	50/5"	NP	6									
				X	2	50/3"	NP	5									
			5	X	3	50/3"	NP	15									
	566.2	Very dense, gray SHALE; damp to saturated --RDR 2-3--		X	4	50/3"	NP	8									
			10	X	5	50/5"	NP	8									
	561.2	--AUGER REFUSAL-- Boring terminated at 13.00 ft															
			15														

GENERAL NOTES

WATER LEVEL DATA

Begin Drilling **06-22-2023** Complete Drilling **06-22-2023**
 Drilling Contractor **Wang Testing Services** Drill Rig **20D50T [80%]**
 Driller **KG&TC** Logger **B. Miller** Checked by **C. Marin**
 Drilling Method **2.25" ID HSA; boring backfilled upon completion**

While Drilling ∇ **8.00 ft**
 At Completion of Drilling \blacktriangledown **12.00 ft**
 Time After Drilling **NA**
 Depth to Water ∇ **NA**

The stratification lines represent the approximate boundary between soil types; the actual transition may be gradual.

WANGENGINC 2553901.GPJ WANGENG.GDT 5/7/24



BORING LOG 55CC-SGB-01

WEI Job No.: 255-39-01

wangeng@wangeng.com
1145 North Main Street
60148
Telephone: (630) 953-9928
Fax: (630) 953-9938

Client **Stantec**
Project **I-80 Reconstruction, Ridge Road to Houbolt Road**
Location **Will County, Illinois**

Datum: NAVD 88
Elevation: 599.05 ft
North: 1755630.28 ft
East: 1022052.07 ft
Station: 11+70.68
Offset: 26.6 LT

Profile Elevation (ft)	SOIL AND ROCK DESCRIPTION	Depth (ft)	Sample Type recovery	Sample No.	SPT Values (blw/6 in)	Qu (tsf)	Moisture Content (%)	Profile Elevation (ft)	SOIL AND ROCK DESCRIPTION	Depth (ft)	Sample Type recovery	Sample No.	SPT Values (blw/6 in)	Qu (tsf)	Moisture Content (%)
598.7	4-inch thick TOPSOIL--														
	Very stiff to hard, brown to gray CLAY to SILTY CLAY, trace gravel; damp			1	6	3.94 B	20								
	--FILL-- --RDR 2-- --L _L (%)=39, P _L (%)=14-- --%Gravel=5.5-- --%Sand=10.8-- --%Silt=46.6-- --%Clay=37.0-- --A-6 (20)--				2	4.18 B	20								
		5		3	3	3.61 B	17								
593.3	Very stiff to hard, brown and gray SILTY CLAY, trace gravel; damp			4	3	2.71 B	22								
	--RDR 2--				7										
				5	6	5.99 B	18								
589.1	Boring terminated at 10.00 ft	10			9										
					11										

WANGENGINC 2553901.GPJ WANGENG.GDT 5/7/24

GENERAL NOTES

WATER LEVEL DATA

Begin Drilling **06-28-2022** Complete Drilling **06-28-2022**
 Drilling Contractor **Wang Testing Services** Drill Rig **20CME55T[81%]**
 Driller **RR&JD** Logger **L. Varzaru** Checked by **C. Marin**
 Drilling Method **2.25" ID HSA; boring backfilled upon completion**

While Drilling **DRY**
 At Completion of Drilling **DRY**
 Time After Drilling **NA**
 Depth to Water **NA**

The stratification lines represent the approximate boundary between soil types; the actual transition may be gradual.



wangeng@wangeng.com
 1145 North Main Street
 60148
 Telephone: (630) 953-9928
 Fax: (630) 953-9938

BORING LOG 55DD-SGB-01

WEI Job No.: 255-39-01

Client **Stantec**
 Project **I-80 Reconstruction, Ridge Road to Houbolt Road**
 Location **Will County, Illinois**

Datum: NAVD 88
 Elevation: 589.75 ft
 North: 1756100.30 ft
 East: 1020968.46 ft
 Station: 17+03.58
 Offset: 19.87 LT

Profile	Elevation (ft)	SOIL AND ROCK DESCRIPTION	Depth (ft)	Sample Type recovery	Sample No.	SPT Values (blw/6 in)	Qu (tsf)	Moisture Content (%)	Profile	Elevation (ft)	SOIL AND ROCK DESCRIPTION	Depth (ft)	Sample Type recovery	Sample No.	SPT Values (blw/6 in)	Qu (tsf)	Moisture Content (%)
	589.4	4-inch thick TOPSOIL															
		Medium dense, gray SANDY GRAVEL; damp			1	4 8 16	NP	2									
	588.3	Very stiff, brown CLAY LOAM, trace gravel; damp				12											
		--FILL--															
	586.5	Very stiff, brown SILTY CLAY to SILTY CLAY LOAM, trace gravel; damp			2	5 3 5 7	2.25 P	13									
		--RDR 2--															
	584.0	Medium dense, brown SILT; moist			3	3 3 7 9	2.54 B	19									
		--RDR 2--															
	580.6	Hard, brown SILTY CLAY to CLAY; damp			4	6 8 8 9	NP	18									
	579.8	Boring terminated at 10.00 ft			5	6 4 7 11	5.90 B	22									

GENERAL NOTES

Begin Drilling **06-28-2022** Complete Drilling **06-28-2022**
 Drilling Contractor **Wang Testing Services** Drill Rig **20CME55T[81%]**
 Driller **RR&JD** Logger **L. Varzaru** Checked by **C. Marin**
 Drilling Method **2.25" ID HSA; boring backfilled upon completion**

WATER LEVEL DATA

While Drilling ∇ **DRY**
 At Completion of Drilling ∇ **DRY**
 Time After Drilling **NA**
 Depth to Water ∇ **NA**

The stratification lines represent the approximate boundary between soil types; the actual transition may be gradual.



wangeng@wangeng.com
 1145 North Main Street
 60148
 Telephone: (630) 953-9928
 Fax: (630) 953-9938

BORING LOG 55DD-SGB-02

WEI Job No.: 255-39-01

Client **Stantec**
 Project **I-80 Reconstruction, Ridge Road to Houbolt Road**
 Location **Will County, Illinois**

Datum: NAVD 88
 Elevation: 598.18 ft
 North: 1755898.85 ft
 East: 1020758.23 ft
 Station: 14+16.51
 Offset: 13.3 LT

Profile	Elevation (ft)	SOIL AND ROCK DESCRIPTION	Depth (ft)	Sample Type recovery	Sample No.	SPT Values (blw/6 in)	Qu (tsf)	Moisture Content (%)	Profile	Elevation (ft)	SOIL AND ROCK DESCRIPTION	Depth (ft)	Sample Type recovery	Sample No.	SPT Values (blw/6 in)	Qu (tsf)	Moisture Content (%)
		12-inch thick CONCRETE --PAVEMENT--															
	597.2	Medium dense, gray SANDY GRAVEL; damp --AGGREGATE BASE--			1	15 18 6 7	NP	3									
	595.7	Hard, brown and gay SILTY CLAY, trace gravel; damp --FILL-- --RDR 2--			2	4 5 7 6	6.72 B	19									
	593.7	Very stiff, brown and gray CLAY to SILTY CLAY, trace gravel; damp --RDR 2-- --L _L (%)=42, P _L (%)=15-- --%Gravel=1.3-- --%Sand=6.0-- --%Silt=44.1-- --%Clay=48.7-- --A-7-6 (25)--	5		3	5 7 10 10	3.20 B	21									
					4	6 8 8 7	3.94 B	20									
			10		5	4 6 8 7	3.85 B	23									
	587.2	Boring terminated at 11.00 ft															

GENERAL NOTES

WATER LEVEL DATA

Begin Drilling **06-28-2022** Complete Drilling **06-28-2022**
 Drilling Contractor **Wang Testing Services** Drill Rig **20CME55T[81%]**
 Driller **RR&JD** Logger **L. Varzaru** Checked by **C. Marin**
 Drilling Method **2.25" ID HSA; boring backfilled upon completion**

While Drilling **DRY**
 At Completion of Drilling **DRY**
 Time After Drilling **NA**
 Depth to Water **NA**

The stratification lines represent the approximate boundary between soil types; the actual transition may be gradual.

WANGENGINC 2553901.GPJ WANGENG.GDT 5/7/24



wangeng@wangeng.com
 1145 North Main Street
 60148
 Telephone: (630) 953-9928
 Fax: (630) 953-9938

BORING LOG 55DD-SGB-03

WEI Job No.: 255-39-01

Client **Stantec**
 Project **I-80 Reconstruction, Ridge Road to Houbolt Road**
 Location **Will County, Illinois**

Datum: NAVD 88
 Elevation: 608.22 ft
 North: 1755592.12 ft
 East: 1020883.88 ft
 Station: 10+61.81
 Offset: 12 RT

Profile	Elevation (ft)	SOIL AND ROCK DESCRIPTION	Depth (ft)	Sample Type recovery	Sample No.	SPT Values (blw/6 in)	Qu (tsf)	Moisture Content (%)	Profile	Elevation (ft)	SOIL AND ROCK DESCRIPTION	Depth (ft)	Sample Type recovery	Sample No.	SPT Values (blw/6 in)	Qu (tsf)	Moisture Content (%)
	608.11	11-inch thick dark brown SILTY LOAM				3											
		--TOPSOIL--			1	4	5.25	17									
		Hard, brown SILTY LOAM to CLAY LOAM, trace gravel; damp				4	B										
	606.7	--FILL--				6											
		--RDR 2--															
		Very stiff to hard, brown and gray SILTY CLAY, trace gravel; damp			2	3	3.69	18									
		--RDR 2--				4	B										
						6											
						7											
						3											
						3											
						5	2.95	22									
						6	B										
						4											
						5											
						6											
						4	2.79	25									
						5	B										
						8											
						3											
						4											
						7	4.59	20									
						6	B										
	598.2	Boring terminated at 10.00 ft	10														

GENERAL NOTES

WATER LEVEL DATA

Begin Drilling **06-28-2022** Complete Drilling **06-28-2022**
 Drilling Contractor **Wang Testing Services** Drill Rig **20CME55T[81%]**
 Driller **RR&JD** Logger **L. Varzaru** Checked by **C. Marin**
 Drilling Method **2.25" ID HSA; boring backfilled upon completion**

While Drilling **DRY**
 At Completion of Drilling **DRY**
 Time After Drilling **NA**
 Depth to Water **NA**

The stratification lines represent the approximate boundary between soil types; the actual transition may be gradual.



wangeng@wangeng.com
 1145 North Main Street
 60148
 Telephone: (630) 953-9928
 Fax: (630) 953-9938

BORING LOG 55D-SGB-02

WEI Job No.: 255-39-01

Client **Stantec**
 Project **I-80 Reconstruction, Ridge Road to Houbolt Road**
 Location **Will County, Illinois**

Datum: NAVD 88
 Elevation: 590.39 ft
 North: 1756286.17 ft
 East: 1021021.16 ft
 Station: 8+35.34
 Offset: 46.15 LT

Profile	Elevation (ft)	SOIL AND ROCK DESCRIPTION	Depth (ft)	Sample Type recovery	Sample No.	SPT Values (blw/6 in)	Qu (tsf)	Moisture Content (%)	Profile	Elevation (ft)	SOIL AND ROCK DESCRIPTION	Depth (ft)	Sample Type recovery	Sample No.	SPT Values (blw/6 in)	Qu (tsf)	Moisture Content (%)		
	590.2	GRAVEL SHOULDER																	
		Stiff to very stiff, brown and gray CLAY to SILTY CLAY, trace to little gravel; damp			1	3	1.25	25											
		--RDR 2--																	
		--L _L (%)=46, P _L (%)=15--																	
		--%Gravel=9.5--																	
		--%Sand=13.1--																	
		--%Silt=41.6--																	
		--%Clay=35.8--																	
		--A-7-6 (23)--																	
				5		3		1.64	24										
	584.4	Dense, brown SANDY GRAVEL; damp			4	12	NP	9											
		--FILL--																	
		--RDR 2-3--																	
	582.6	Hard, brown SILTY CLAY, trace gravel; damp			5	4	7.22	18											
		--RDR 2--																	
	580.4	Boring terminated at 10.00 ft	10																

GENERAL NOTES

WATER LEVEL DATA

Begin Drilling **06-22-2022** Complete Drilling **06-22-2022**
 Drilling Contractor **Wang Testing Services** Drill Rig **21GeoT[92%]**
 Driller **KG&TC** Logger **M. Rojo** Checked by **C. Marin**
 Drilling Method **2.25" ID HSA; boring backfilled upon completion**

While Drilling **DRY**
 At Completion of Drilling **DRY**
 Time After Drilling **NA**
 Depth to Water **NA**

The stratification lines represent the approximate boundary between soil types; the actual transition may be gradual.



wangeng@wangeng.com
 1145 North Main Street
 60148
 Telephone: (630) 953-9928
 Fax: (630) 953-9938

BORING LOG 55D-SGB-03

WEI Job No.: 255-39-01

Client **Stantec**
 Project **I-80 Reconstruction, Ridge Road to Houbolt Road**
 Location **Will County, Illinois**

Datum: NAVD 88
 Elevation: 591.93 ft
 North: 1756074.82 ft
 East: 1020808.75 ft
 Station: 11+34.46
 Offset: 28.58 LT

Profile	Elevation (ft)	SOIL AND ROCK DESCRIPTION	Depth (ft)	Sample Type recovery	Sample No.	SPT Values (blw/6 in)	Qu (tsf)	Moisture Content (%)	Profile	Elevation (ft)	SOIL AND ROCK DESCRIPTION	Depth (ft)	Sample Type recovery	Sample No.	SPT Values (blw/6 in)	Qu (tsf)	Moisture Content (%)
	591.82	82-inch thick GRAVEL; dry --SHOULDER-- Very stiff to hard, brown CLAY LOAM to LOAM, trace gravel; damp			1	11 10 6 8	4.50 P	12									
		--FILL-- --RDR 2--			2	5 8 7 6	3.00 P	16									
	588.2	Very stiff, gray CLAY to SILTY CLAY; damp --RDR 2--			3	2 6 9 11	3.85 B	29									
	585.9	Hard, gray and brown SILTY CLAY to SILTY CLAY LOAM, trace gravel; damp --RDR 2--			4	3 4 9 8	4.50 P	20									
					5	6 9 12 9	4.92 B	20									
	581.9	Boring terminated at 10.00 ft	10														

GENERAL NOTES

WATER LEVEL DATA

Begin Drilling **06-22-2022** Complete Drilling **06-22-2022**
 Drilling Contractor **Wang Testing Services** Drill Rig **21GeoT[92%]**
 Driller **KG&TC** Logger **M. Rojo** Checked by **C. Marin**
 Drilling Method **2.25" ID HSA; boring backfilled upon completion**

While Drilling ∇ **DRY**
 At Completion of Drilling ∇ **DRY**
 Time After Drilling **NA**
 Depth to Water ∇ **NA**

The stratification lines represent the approximate boundary between soil types; the actual transition may be gradual.



wangeng@wangeng.com
 1145 North Main Street
 60148
 Telephone: (630) 953-9928
 Fax: (630) 953-9938

BORING LOG 55D-SGB-04

WEI Job No.: 255-39-01

Client **Stantec**
 Project **I-80 Reconstruction, Ridge Road to Houbolt Road**
 Location **Will County, Illinois**

Datum: NAVD 88
 Elevation: 597.10 ft
 North: 1755863.84 ft
 East: 1020589.48 ft
 Station: 14+37.15
 Offset: 11.24 LT

Profile	Elevation (ft)	SOIL AND ROCK DESCRIPTION	Depth (ft)	Sample Type recovery	Sample No.	SPT Values (blw/6 in)	Qu (tsf)	Moisture Content (%)	Profile	Elevation (ft)	SOIL AND ROCK DESCRIPTION	Depth (ft)	Sample Type recovery	Sample No.	SPT Values (blw/6 in)	Qu (tsf)	Moisture Content (%)
	596.9	GRAVEL SHOULDER															
		Very stiff to hard, gray and brown SILTY CLAY to SILTY CLAY LOAM, trace gravel; damp			1	10											
		--FILL--					4.50	8									
		--RDR 2-3--					P										
		--L _L (%)=31, P _L (%)=13--															
		--%Gravel=2.8--				5											
		--%Sand=11.7--				2											
		--%Silt=54.3--				6	2.50	16									
		--%Clay=31.2--				5	P										
		--A-6 (13)--															
			5		3	12											
						9											
						11	2.50	13									
						11	P										
						6											
						5											
						5	4.00	19									
						7	P										
	589.1	Very stiff, gray CLAY to SILTY CLAY, trace gravel; damp			5	2											
		--RDR 2--				5											
						7	3.00	28									
						11	P										
	587.1	Boring terminated at 10.00 ft	10														

GENERAL NOTES

Begin Drilling **06-22-2022** Complete Drilling **06-22-2022**
 Drilling Contractor **Wang Testing Services** Drill Rig **21GeoT[92%]**
 Driller **KG&TC** Logger **M. Rojo** Checked by **C. Marin**
 Drilling Method **2.25" ID HSA; boring backfilled upon completion**

WATER LEVEL DATA

While Drilling ∇ **DRY**
 At Completion of Drilling ∇ **DRY**
 Time After Drilling **NA**
 Depth to Water ∇ **NA**

The stratification lines represent the approximate boundary between soil types; the actual transition may be gradual.



wangeng@wangeng.com
 1145 North Main Street
 60148
 Telephone: (630) 953-9928
 Fax: (630) 953-9938

BORING LOG 55D-SGB-05

WEI Job No.: 255-39-01

Client **Stantec**
 Project **I-80 Reconstruction, Ridge Road to Houbolt Road**
 Location **Will County, Illinois**

Datum: NAVD 88
 Elevation: 601.62 ft
 North: 1755687.71 ft
 East: 1020356.02 ft
 Station: 17+28.73
 Offset: 1.19 LT

Profile	Elevation (ft)	SOIL AND ROCK DESCRIPTION	Depth (ft)	Sample Type recovery	Sample No.	SPT Values (blw/6 in)	Qu (tsf)	Moisture Content (%)	Profile	Elevation (ft)	SOIL AND ROCK DESCRIPTION	Depth (ft)	Sample Type recovery	Sample No.	SPT Values (blw/6 in)	Qu (tsf)	Moisture Content (%)
	600.8	10-inch thick, gray GRAVEL; damp				15											
		--SHOULDER--			1	13	4.50	13									
		Stiff to hard, gray CLAY LOAM to SILTY CLAY LOAM, trace gravel; damp				9	P										
		--FILL--				4											
		--RDR 2--			2	5	4.51	17									
						3	B										
						5											
						8											
						8											
						9	4.50	14									
						9	P										
						7											
						8											
						7	1.50	14									
						7	P										
						12											
	593.9	Medium dense, brown SANDY GRAVEL; damp				7											
		--FILL--				10											
		--RDR 2--				6	NP	12									
						6											
						9											
	591.6	Boring terminated at 10.00 ft	10														

GENERAL NOTES

WATER LEVEL DATA

Begin Drilling **06-22-2022** Complete Drilling **06-22-2022**
 Drilling Contractor **Wang Testing Services** Drill Rig **21GeoT[92%]**
 Driller **KG&TC** Logger **M. Rojo** Checked by **C. Marin**
 Drilling Method **2.25" ID HSA; boring backfilled upon completion**

While Drilling ∇ **DRY**
 At Completion of Drilling ∇ **DRY**
 Time After Drilling **NA**
 Depth to Water ∇ **NA**

The stratification lines represent the approximate boundary between soil types; the actual transition may be gradual.



wangeng@wangeng.com
1145 North Main Street
60148
Telephone: (630) 953-9928
Fax: (630) 953-9938

BORING LOG 55D-SGB-06

WEI Job No.: 255-39-01

Client **Stantec**
Project **I-80 Reconstruction, Ridge Road to Houbolt Road**
Location **Will County, Illinois**

Datum: NAVD 88
Elevation: 605.50 ft
North: 1755541.78 ft
East: 1020074.42 ft
Station: 20+46.85
Offset: 8.6 RT

Profile	Elevation (ft)	SOIL AND ROCK DESCRIPTION	Depth (ft)	Sample Type recovery	Sample No.	SPT Values (blw/6 in)	Qu (tsf)	Moisture Content (%)	Profile	Elevation (ft)	SOIL AND ROCK DESCRIPTION	Depth (ft)	Sample Type recovery	Sample No.	SPT Values (blw/6 in)	Qu (tsf)	Moisture Content (%)
	605.0	6-inch thick, stiff (1.50P), brown SILTY CLAY LOAM				2											
	604.8	--TOPSOIL--			1	29	> 4.50										
		Gray GRAVEL; damp				11	P	14									
		--FILL--				6											
		Hard, brown and gray CLAY LOAM to SILTY CLAY LOAM, trace gravel; damp				7											
		--FILL--			2	5	> 4.50										
		--RDR 2--				6	P	17									
						9											
			5		3	5	4.26	16									
						5	B										
						8											
					4	9	> 4.50										
						8	P	13									
						10											
						16											
					5	4	> 4.50										
						8	P	15									
						9											
						10											
	595.5	Boring terminated at 10.00 ft	10														

WANGENGINC 2553901.GPJ WANGENG.GDT 5/7/24

GENERAL NOTES

WATER LEVEL DATA

Begin Drilling **06-22-2022** Complete Drilling **06-22-2022**
 Drilling Contractor **Wang Testing Services** Drill Rig **21GeoT[92%]**
 Driller **KG&TC** Logger **M. Rojo** Checked by **C. Marin**
 Drilling Method **2.25" ID HSA; boring backfilled upon completion**

While Drilling ∇ **DRY**
 At Completion of Drilling ∇ **DRY**
 Time After Drilling **NA**
 Depth to Water ∇ **NA**

The stratification lines represent the approximate boundary between soil types; the actual transition may be gradual.



wangeng@wangeng.com
 1145 North Main Street
 60148
 Telephone: (630) 953-9928
 Fax: (630) 953-9938

BORING LOG 55SEFR-SGB-01

WEI Job No.: 255-39-01

Client **Stantec**
 Project **I-80 Reconstruction, Ridge Road to Houbolt Road**
 Location **Will County, Illinois**

Datum: NAVD 88
 Elevation: 577.03 ft
 North: 1754113.83 ft
 East: 1021696.37 ft
 Station: 19+36.37
 Offset: 19.94 LT

Profile	Elevation (ft)	SOIL AND ROCK DESCRIPTION	Depth (ft)	Sample Type recovery	Sample No.	SPT Values (blw/6 in)	Qu (tsf)	Moisture Content (%)	Profile	Elevation (ft)	SOIL AND ROCK DESCRIPTION	Depth (ft)	Sample Type recovery	Sample No.	SPT Values (blw/6 in)	Qu (tsf)	Moisture Content (%)
	576.2	9.5-inch thick ASPHALT --PAVEMENT--															
		Medium dense, brown Gravelly LOAM; dry --AGGREGATE BASE--	8		1	10	NP	7									
	574.3	Medium dense, brown Gravelly LOAM; moist to wet --RDR 2--	7		2	12	NP	9									
	572.5	Medium dense to very dense, brown SANDY GRAVEL; wet to dry --Weathered BEDROCK-- --RDR 3-5--	13		3	10	NP	8									
			5		4	9	NP	4									
			4			12	NP	8									
			8			50/4"											
					4	50/3"	NP	4									
	569.0	--AUGER REFUSAL-- Boring terminated at 8.00 ft															
			10														
			15														

GENERAL NOTES

WATER LEVEL DATA

Begin Drilling **07-06-2022** Complete Drilling **07-06-2022**
 Drilling Contractor **Wang Testing Services** Drill Rig **17B57T [91%]**
 Driller **KS&PH** Logger **F. Bozga** Checked by **C. Marin**
 Drilling Method **2.25" ID HSA; boring backfilled upon completion**

While Drilling ∇ **5.00 ft**
 At Completion of Drilling ∇ **6.00 ft**
 Time After Drilling **NA**
 Depth to Water ∇ **NA**

The stratification lines represent the approximate boundary between soil types; the actual transition may be gradual.



wangeng@wangeng.com
 1145 North Main Street
 60148
 Telephone: (630) 953-9928
 Fax: (630) 953-9938

BORING LOG 55SEFR-SGB-02

WEI Job No.: 255-39-01

Client **Stantec**
 Project **I-80 Reconstruction, Ridge Road to Houbolt Road**
 Location **Will County, Illinois**

Datum: NAVD 88
 Elevation: 578.01 ft
 North: 1754337.24 ft
 East: 1021802.76 ft
 Station: 21+81.18
 Offset: 3.65 RT

Profile	Elevation (ft)	SOIL AND ROCK DESCRIPTION	Depth (ft)	Sample Type recovery	Sample No.	SPT Values (blw/6 in)	Qu (tsf)	Moisture Content (%)	Profile	Elevation (ft)	SOIL AND ROCK DESCRIPTION	Depth (ft)	Sample Type recovery	Sample No.	SPT Values (blw/6 in)	Qu (tsf)	Moisture Content (%)
	577.1	11-inch thick ASPHALT --PAVEMENT--															
	575.3	Medium dense, brown Gravelly LOAM; damp --AGGREGATE BASE--			1	3 9 11 8	NP	7									
	572.5	Stiff, brown and gray CLAY to SILTY CLAY, trace gravel; damp --RDR 2-- --L _L (%)=53, P _L (%)=16-- --%Gravel=0.4-- --%Sand=6.2-- --%Silt=49.5-- --%Clay=43.9-- --A-7-6 (32)--			2	12 5 4 6	1.50 P	29									
	572.5	--AUGER REFUSAL-- Boring terminated at 5.50 ft			3	3	1.50 P	26									
						50/3"											

GENERAL NOTES

WATER LEVEL DATA

Begin Drilling **07-06-2022** Complete Drilling **07-06-2022**
 Drilling Contractor **Wang Testing Services** Drill Rig **17B57T [91%]**
 Driller **KS&PH** Logger **F. Bozga** Checked by **C. Marin**
 Drilling Method **2.25" ID HSA; boring backfilled upon completion**

While Drilling ∇ **DRY**
 At Completion of Drilling ∇ **DRY**
 Time After Drilling **NA**
 Depth to Water ∇ **NA**

The stratification lines represent the approximate boundary between soil types; the actual transition may be gradual.



wangeng@wangeng.com
 1145 North Main Street
 60148
 Telephone: (630) 953-9928
 Fax: (630) 953-9938

BORING LOG 55SEFR-SGB-03

WEI Job No.: 255-39-01

Client **Stantec**
 Project **I-80 Reconstruction, Ridge Road to Houbolt Road**
 Location **Will County, Illinois**

Datum: NAVD 88
 Elevation: 580.10 ft
 North: 1754576.76 ft
 East: 1022020.21 ft
 Station: 25+09.49
 Offset: 7.79 RT

Profile	Elevation (ft)	SOIL AND ROCK DESCRIPTION	Depth (ft)	Sample Type recovery	Sample No.	SPT Values (blw/6 in)	Qu (tsf)	Moisture Content (%)	Profile	Elevation (ft)	SOIL AND ROCK DESCRIPTION	Depth (ft)	Sample Type recovery	Sample No.	SPT Values (blw/6 in)	Qu (tsf)	Moisture Content (%)
		12-inch thick ASPHALT --PAVEMENT--															
	579.1																
	578.7	Medium dense, brown Gravelly LOAM; dry --AGGREGATE BASE--			1	6 9 5 4	2.00 P	31									
		Stiff to very stiff, brown CLAY to SILTY CLAY, trace to little gravel --RDR 2--															
	576.5	Brown and gray SANDY GRAVEL --Weathered BEDROCK-- --RDR 3-4--			2	4 3 5	1.00 P	26									
						50/3"											
					3	50/5"		NR									
	574.1	--AUGER REFUSAL-- Boring terminated at 6.00 ft															

GENERAL NOTES

WATER LEVEL DATA

Begin Drilling **07-06-2022** Complete Drilling **07-06-2022**
 Drilling Contractor **Wang Testing Services** Drill Rig **17B57T [91%]**
 Driller **KS&PH** Logger **F. Bozga** Checked by **C. Marin**
 Drilling Method **2.25" ID HSA; boring backfilled upon completion**

While Drilling ∇ **DRY**
 At Completion of Drilling ∇ **DRY**
 Time After Drilling **NA**
 Depth to Water ∇ **NA**

The stratification lines represent the approximate boundary between soil types; the actual transition may be gradual.



wangeng@wangeng.com
 1145 North Main Street
 60148
 Telephone: (630) 953-9928
 Fax: (630) 953-9938

BORING LOG 55SEFR-SGB-04

WEI Job No.: 255-39-01

Client **Stantec**
 Project **I-80 Reconstruction, Ridge Road to Houbolt Road**
 Location **Will County, Illinois**

Datum: NAVD 88
 Elevation: 581.30 ft
 North: 1754787.93 ft
 East: 1022235.11 ft
 Station: 28+08.13
 Offset: 32.07 LT

Profile	Elevation (ft)	SOIL AND ROCK DESCRIPTION	Depth (ft)	Sample Type recovery	Sample No.	SPT Values (blw/6 in)	Qu (tsf)	Moisture Content (%)	Profile	Elevation (ft)	SOIL AND ROCK DESCRIPTION	Depth (ft)	Sample Type recovery	Sample No.	SPT Values (blw/6 in)	Qu (tsf)	Moisture Content (%)
	580.5	9.5-inch thick ASPHALT --PAVEMENT--															
		Medium dense, brown Gravelly LOAM; dry --AGGREGATE BASE--	7		1	8	NP	8									
	578.6	Stiff to very stiff, brown SILTY CLAY LOAM, trace to little gravel; moist --FILL-- --RDR 2-- --L _L (%)=39, P _L (%)=15-- --%Gravel=2.4-- --%Sand=17.0-- --%Silt=54.4-- --%Clay=26.1-- --A-6 (18)--	4		2	5	2.00	31									
	575.9	Medium dense, brown SILTY LOAM, trace gravel; moist --RDR 2--	3		3	9	1.50	12									
	574.6	Very dense, brown SANDY GRAVEL; dry --Weathered BEDROCK-- --AUGER REFUSAL-- Boring terminated at 7.50 ft	50/2"		4	50/5"	NP	4									

GENERAL NOTES

WATER LEVEL DATA

Begin Drilling **07-06-2022** Complete Drilling **07-06-2022**
 Drilling Contractor **Wang Testing Services** Drill Rig **17B57T [91%]**
 Driller **KS&PH** Logger **F. Bozga** Checked by **C. Marin**
 Drilling Method **2.25" ID HSA; boring backfilled upon completion**

While Drilling ∇ **DRY**
 At Completion of Drilling ∇ **DRY**
 Time After Drilling **NA**
 Depth to Water ∇ **NA**

The stratification lines represent the approximate boundary between soil types; the actual transition may be gradual.



wangeng@wangeng.com
 1145 North Main Street
 60148
 Telephone: (630) 953-9928
 Fax: (630) 953-9938

BORING LOG 55SEFR-SGB-05

WEI Job No.: 255-39-01

Client **Stantec**
 Project **I-80 Reconstruction, Ridge Road to Houbolt Road**
 Location **Will County, Illinois**

Datum: NAVD 88
 Elevation: 581.07 ft
 North: 1754964.43 ft
 East: 1022464.51 ft
 Station: 30+93.55
 Offset: 40.78 LT

Profile	Elevation (ft)	SOIL AND ROCK DESCRIPTION	Depth (ft)	Sample Type recovery	Sample No.	SPT Values (blw/6 in)	Qu (tsf)	Moisture Content (%)	Profile	Elevation (ft)	SOIL AND ROCK DESCRIPTION	Depth (ft)	Sample Type recovery	Sample No.	SPT Values (blw/6 in)	Qu (tsf)	Moisture Content (%)	
	580.2	10-inch thick ASPHALT --PAVEMENT--																
	579.1	Medium dense, brown Gravelly LOAM; dry --AGGREGATE BASE--			1	5 7 7 5	NP	17										
	576.3	Very stiff, brown CLAY to SILTY CLAY, trace to little gravel; moist --FILL-- --RDR 2--			2	6 3 4 17	2.38 B	28										
	574.6	Very dense, brown SANDY GRAVEL; dry --Weathered BEDROCK-- --RDR 5--			3	50/5"	NP	5										
		--AUGER REFUSAL-- Boring terminated at 6.50 ft																

GENERAL NOTES

Begin Drilling **07-06-2022** Complete Drilling **07-06-2022**
 Drilling Contractor **Wang Testing Services** Drill Rig **17B57T [91%]**
 Driller **KS&PH** Logger **F. Bozga** Checked by **C. Marin**
 Drilling Method **2.25" ID HSA; boring backfilled upon completion**

WATER LEVEL DATA

While Drilling ∇ **DRY**
 At Completion of Drilling ∇ **DRY**
 Time After Drilling **NA**
 Depth to Water ∇ **NA**

The stratification lines represent the approximate boundary between soil types; the actual transition may be gradual.



wangeng@wangeng.com
 1145 North Main Street
 60148
 Telephone: (630) 953-9928
 Fax: (630) 953-9938

BORING LOG 55SEFR-SGB-06

WEI Job No.: 255-39-01

Client **Stantec**
 Project **I-80 Reconstruction, Ridge Road to Houbolt Road**
 Location **Will County, Illinois**

Datum: NAVD 88
 Elevation: 575.80 ft
 North: 1755053.99 ft
 East: 1022791.89 ft
 Station: 34+24.87
 Offset: 5.65 LT

Profile	Elevation (ft)	SOIL AND ROCK DESCRIPTION	Depth (ft)	Sample Type recovery	Sample No.	SPT Values (blw/6 in)	Qu (tsf)	Moisture Content (%)	Profile	Elevation (ft)	SOIL AND ROCK DESCRIPTION	Depth (ft)	Sample Type recovery	Sample No.	SPT Values (blw/6 in)	Qu (tsf)	Moisture Content (%)
	575.0	10-inch thick ASPHALT --PAVEMENT--															
	573.6	Medium dense, brown Gravelly LOAM --AGGREGATE BASE--			1	13 9 7 9	NP	3									
	573.1	Very stiff (2.25P), brown SILTY CLAY LOAM, trace gravel --FILL--															
		Very dense, brown and gray SILTY LOAM; dry --RDR 2-3--			2	15 18 50/5"	NP	8									
			5		3	26 50/4"	NP	9									
	569.3	Very dense, brown SANDY GRAVEL; dry --Weathered BEDROCK-- --RDR 3-4--			4	50/4"	NP	7									
					5	50/5"	NP	6									
			10		6	50/5"	NP	11									
		--saturated--			7	18 50/5"	NP	11									
	561.8	Boring terminated at 14.00 ft															
			15														

GENERAL NOTES

WATER LEVEL DATA

Begin Drilling **07-06-2022** Complete Drilling **07-06-2022**
 Drilling Contractor **Wang Testing Services** Drill Rig **17B57T [91%]**
 Driller **KS&PH** Logger **F. Bozga** Checked by **C. Marin**
 Drilling Method **2.25" ID HSA; boring backfilled upon completion**

While Drilling ∇ **11.00 ft**
 At Completion of Drilling ∇ **13.00 ft**
 Time After Drilling **NA**
 Depth to Water ∇ **NA**

The stratification lines represent the approximate boundary between soil types; the actual transition may be gradual.

WANGENGINC 2553901.GPJ WANGENG.GDT 5/7/24



wangeng@wangeng.com
 1145 North Main Street
 60148
 Telephone: (630) 953-9928
 Fax: (630) 953-9938

BORING LOG 55SEFR-SGB-07

WEI Job No.: 255-39-01

Client **Stantec**
 Project **I-80 Reconstruction, Ridge Road to Houbolt Road**
 Location **Will County, Illinois**

Datum: NAVD 88
 Elevation: 575.94 ft
 North: 1753811.03 ft
 East: 1021666.53 ft
 Station: 16+35.74
 Offset: 32.08 LT

Profile	Elevation (ft)	SOIL AND ROCK DESCRIPTION	Depth (ft)	Sample Type recovery	Sample No.	SPT Values (blw/6 in)	Qu (tsf)	Moisture Content (%)	Profile	Elevation (ft)	SOIL AND ROCK DESCRIPTION	Depth (ft)	Sample Type recovery	Sample No.	SPT Values (blw/6 in)	Qu (tsf)	Moisture Content (%)
	575.2	9-inch thick ASPHALT --PAVEMENT--				14											
		Medium dense, orange tan SANDY GRAVEL; damp --FILL-- --RDR 2--			1	17 14 15	NP	8									
	572.2				2	46 17 14 15	NP	7									
	570.4	Very stiff, grayish green SILTY CLAY, trace gravel; damp --RDR 2--	5		3	12 5 7 5	3.25 P	17									
		Very stiff, brown and gray CLAY LOAM, trace gravel; damp --RDR 2--			4	4 4 9 9	3.75 P	12									
	565.9				5	5 7 9 17	2.54 B	13									
		Boring terminated at 10.00 ft															

GENERAL NOTES

Begin Drilling **06-22-2023** Complete Drilling **06-22-2023**
 Drilling Contractor **Wang Testing Services** Drill Rig **20D50T [80%]**
 Driller **KG&TC** Logger **B. Miller** Checked by **C. Marin**
 Drilling Method **2.25" ID HSA; boring backfilled upon completion**

WATER LEVEL DATA

While Drilling ∇ **DRY**
 At Completion of Drilling ∇ **DRY**
 Time After Drilling **NA**
 Depth to Water ∇ **NA**

The stratification lines represent the approximate boundary between soil types; the actual transition may be gradual.

WANGENGINC 2553901.GPJ WANGENG.GDT 5/7/24



wangeng@wangeng.com
 1145 North Main Street
 60148
 Telephone: (630) 953-9928
 Fax: (630) 953-9938

BORING LOG 55SEFR-SGB-08

WEI Job No.: 255-39-01

Client **Stantec**
 Project **I-80 Reconstruction, Ridge Road to Houbolt Road**
 Location **Will County, Illinois**

Datum: NAVD 88
 Elevation: 573.63 ft
 North: 1753523.36 ft
 East: 1021663.24 ft
 Station: 13+48.06
 Offset: 29.12 LT

Profile	Elevation (ft)	SOIL AND ROCK DESCRIPTION	Depth (ft)	Sample Type recovery	Sample No.	SPT Values (blw/6 in)	Qu (tsf)	Moisture Content (%)	Profile	Elevation (ft)	SOIL AND ROCK DESCRIPTION	Depth (ft)	Sample Type recovery	Sample No.	SPT Values (blw/6 in)	Qu (tsf)	Moisture Content (%)
	572.8	10-inch thick ASPHALT --PAVEMENT--				16											
		Medium dense, orange tan SANDY GRAVEL; damp --FILL-- --RDR 2--			1	24	NP	6									
					2	15											
						12											
	569.9					13											
						14	NP	6									
						11											
						6											
	567.9	Stiff, greenish gray CLAY to SILTY CLAY, trace gravel; damp --RDR 2--			3	4											
						5	1.64	26									
						5	B										
						7											
	567.9	Very stiff, brown and gray SILTY CLAY to SILTY CLAY LOAM, trace gravel; damp --RDR 2--			4	3											
						4	2.46	19									
						5	B										
						8											
						6											
						10	3.44	16									
						14	B										
						16											
	563.6	Boring terminated at 10.00 ft															

GENERAL NOTES

WATER LEVEL DATA

Begin Drilling **06-22-2023** Complete Drilling **06-22-2023**
 Drilling Contractor **Wang Testing Services** Drill Rig **20D50T [80%]**
 Driller **KG&TC** Logger **B. Miller** Checked by **C. Marin**
 Drilling Method **2.25" ID HSA; boring backfilled upon completion**

While Drilling ∇ **DRY**
 At Completion of Drilling ∇ **DRY**
 Time After Drilling **NA**
 Depth to Water ∇ **NA**

The stratification lines represent the approximate boundary between soil types; the actual transition may be gradual.



wangeng@wangeng.com
 1145 North Main Street
 60148
 Telephone: (630) 953-9928
 Fax: (630) 953-9938

BORING LOG 55SEFR-SGB-09

WEI Job No.: 255-39-01

Client **Stantec**
 Project **I-80 Reconstruction, Ridge Road to Houbolt Road**
 Location **Will County, Illinois**

Datum: NAVD 88
 Elevation: 566.12 ft
 North: 1753216.28 ft
 East: 1021667.97 ft
 Station: 10+41.15
 Offset: 17.71 LT

Profile	Elevation (ft)	SOIL AND ROCK DESCRIPTION	Depth (ft)	Sample Type recovery	Sample No.	SPT Values (blw/6 in)	Qu (tsf)	Moisture Content (%)	Profile	Elevation (ft)	SOIL AND ROCK DESCRIPTION	Depth (ft)	Sample Type recovery	Sample No.	SPT Values (blw/6 in)	Qu (tsf)	Moisture Content (%)
	565.4	8-inch thick ASPHALT --PAVEMENT--				9											
		Medium dense, orange and tan SANDY GRAVEL; damp --FILL-- --RDR 2--			1	12 13 10	NP	6									
					2	25 13 13 12	NP	3									
			5		3	10 9 9 12	NP	8									
	560.4	Stiff, gray SILTY CLAY, trace gravel; damp --RDR 2--			4	5 4 6 7	1.39 B	15									
					5	4 6 8 9	1.97 B	14									
	556.1	Boring terminated at 10.00 ft	10														

GENERAL NOTES

Begin Drilling **06-22-2023** Complete Drilling **06-22-2023**
 Drilling Contractor **Wang Testing Services** Drill Rig **20D50T [80%]**
 Driller **KG&TC** Logger **B. Miller** Checked by **C. Marin**
 Drilling Method **2.25" ID HSA; boring backfilled upon completion**

WATER LEVEL DATA

While Drilling ∇ **DRY**
 At Completion of Drilling ∇ **DRY**
 Time After Drilling **NA**
 Depth to Water ∇ **NA**

The stratification lines represent the approximate boundary between soil types; the actual transition may be gradual.



wangeng@wangeng.com
 1145 North Main Street
 60148
 Telephone: (630) 953-9928
 Fax: (630) 953-9938

BORING LOG 55SEFR-SGB-10

WEI Job No.: 255-39-01

Client **Stantec**
 Project **I-80 Reconstruction, Ridge Road to Houbolt Road**
 Location **Will County, Illinois**

Datum: NAVD 88
 Elevation: 554.22 ft
 North: 1752945.40 ft
 East: 1021669.98 ft
 Station: 7+70.38
 Offset: 9.81 LT

Profile	Elevation (ft)	SOIL AND ROCK DESCRIPTION	Depth (ft)	Sample Type recovery	Sample No.	SPT Values (blw/6 in)	Qu (tsf)	Moisture Content (%)	Profile	Elevation (ft)	SOIL AND ROCK DESCRIPTION	Depth (ft)	Sample Type recovery	Sample No.	SPT Values (blw/6 in)	Qu (tsf)	Moisture Content (%)
	554.11	11.5-inch thick ASPHALT --PAVEMENT--				12											
		Medium dense to dense, orange and tan SANDY GRAVEL; damp --FILL-- --RDR 2-3--			1	10 20 20	NP	9									
		--clay lens--			2	12 17 19 13	NP	13									
			5		3	3 10 8 15	NP	9									
		--clay lens--			4	4 10 7 4	NP	10									
	546.7	Stiff, dark gray SILTY CLAY, trace gravel; damp --RDR 2--			5	5 6 6 8	1.72 B	30									
	544.2	Boring terminated at 10.00 ft	10														

GENERAL NOTES

WATER LEVEL DATA

Begin Drilling **06-22-2023** Complete Drilling **06-22-2023**
 Drilling Contractor **Wang Testing Services** Drill Rig **20D50T [80%]**
 Driller **KG&TC** Logger **B. Miller** Checked by **C. Marin**
 Drilling Method **2.25" ID HSA; boring backfilled upon completion**

While Drilling ∇ **DRY**
 At Completion of Drilling ∇ **DRY**
 Time After Drilling **NA**
 Depth to Water ∇ **NA**

The stratification lines represent the approximate boundary between soil types; the actual transition may be gradual.



BORING LOG A-SGB-01

wangeng@wangeng.com
 1145 North Main Street
 60148
 Telephone: (630) 953-9928
 Fax: (630) 953-9938

WEI Job No.: 255-39-01

Client **Stantec**
 Project **I-80 Reconstruction, Ridge Road to Houbolt Road**
 Location **Will County, Illinois**

Datum: NAVD 88
 Elevation: 607.69 ft
 North: 1755238.75 ft
 East: 1020194.43 ft
 Station: 19+07.2
 Offset: 8.927 RT

Profile	Elevation (ft)	SOIL AND ROCK DESCRIPTION	Depth (ft)	Sample Type recovery	Sample No.	SPT Values (blw/6 in)	Qu (tsf)	Moisture Content (%)	Profile	Elevation (ft)	SOIL AND ROCK DESCRIPTION	Depth (ft)	Sample Type recovery	Sample No.	SPT Values (blw/6 in)	Qu (tsf)	Moisture Content (%)
	606.5	Medium dense, gray LOAM, trace gravel; damp --Shoulder gravel-- --Qu: (3.75 P)--	16		1	16	NP	3									
		Stiff to hard, brown and gray CLAY LOAM, trace gravel; damp --FILL-- --RDR 2--	7		2	7											
			5		3	5											
			5		4	5											
			4		5	4											
			8		6	8	4.50 P	10									
			12		7	12											
			10		8	10											
			5		9	5											
			7		10	7	4.51 B	20									
		7		11	7												
		10		12	10												
		4		13	4												
		3		14	3	1.80 B	17										
		3		15	3												
		9		16	9												
		8		17	8												
		11		18	11	8.61 B	16										
		15		19	15												
		18		20	18												
	597.7	Boring terminated at 10.00 ft	10														

GENERAL NOTES

WATER LEVEL DATA

Begin Drilling **07-10-2023** Complete Drilling **07-10-2023**
 Drilling Contractor **Wang Testing Services** Drill Rig **20D25A [83%]**
 Driller **NC&JD** Logger **B. Miller** Checked by **C. Marin**
 Drilling Method **2.25" ID HSA; boring backfilled upon completion**

While Drilling ∇ **DRY**
 At Completion of Drilling ∇ **DRY**
 Time After Drilling **NA**
 Depth to Water ∇ **NA**

The stratification lines represent the approximate boundary between soil types; the actual transition may be gradual.

WANGENGINC 2553901.GPJ WANGENG.GDT 5/7/24



wangeng@wangeng.com
 1145 North Main Street
 60148
 Telephone: (630) 953-9928
 Fax: (630) 953-9938

BORING LOG A-SGB-02

WEI Job No.: 255-39-01

Client **Stantec**
 Project **I-80 Reconstruction, Ridge Road to Houbolt Road**
 Location **Will County, Illinois**

Datum: NAVD 88
 Elevation: 605.02 ft
 North: 1755164.27 ft
 East: 1020455.38 ft
 Station: 21+84.8
 Offset: 18.844 RT

Profile	Elevation (ft)	SOIL AND ROCK DESCRIPTION	Depth (ft)	Sample Type recovery	Sample No.	SPT Values (blw/6 in)	Qu (tsf)	Moisture Content (%)	Profile	Elevation (ft)	SOIL AND ROCK DESCRIPTION	Depth (ft)	Sample Type recovery	Sample No.	SPT Values (blw/6 in)	Qu (tsf)	Moisture Content (%)
	604.7	4-inch thick, brown SILTY CLAY, trace gravel; damp				3											
		--TOPSOIL--			1	5											
		Hard, brown CLAY LOAM, trace gravel; damp				20	4.00	7									
		--FILL--				20	P										
		--RDR 2--															
					2	11											
						8											
						8	8.69	14									
						10	B										
	601.5	Very stiff to hard, brown and gray SILTY CLAY to SILTY CLAY LOAM, trace gravel; damp															
		--RDR 2--															
			5		3	4											
						3											
						4	2.21	21									
						7	B										
					4	6											
						10											
						12	3.28	19									
						13	B										
					5	4											
						6											
						9	5.41	20									
						10	S										
	595.0	Boring terminated at 10.00 ft	10														

GENERAL NOTES

WATER LEVEL DATA

Begin Drilling **07-10-2023** Complete Drilling **07-10-2023**
 Drilling Contractor **Wang Testing Services** Drill Rig **20D25A [83%]**
 Driller **NC&JD** Logger **B. Miller** Checked by **C. Marin**
 Drilling Method **2.25" ID HSA; boring backfilled upon completion**

While Drilling ∇ **DRY**
 At Completion of Drilling ∇ **DRY**
 Time After Drilling **NA**
 Depth to Water ∇ **NA**

The stratification lines represent the approximate boundary between soil types; the actual transition may be gradual.

WANGENGINC 2553901.GPJ WANGENG.GDT 5/7/24



wangeng@wangeng.com
 1145 North Main Street
 60148
 Telephone: (630) 953-9928
 Fax: (630) 953-9938

BORING LOG CL-SGB-27

WEI Job No.: 255-39-01

Client **Stantec**
 Project **I-80 Reconstruction, Ridge Road to Houbolt Road**
 Location **Will County, Illinois**

Datum: NAVD 88
 Elevation: 588.26 ft
 North: 1755276.47 ft
 East: 1018985.80 ft
 Station: 331+75.78
 Offset: 3.8 RT

Profile	Elevation (ft)	SOIL AND ROCK DESCRIPTION	Depth (ft)	Sample Type recovery	Sample No.	SPT Values (blw/6 in)	Qu (tsf)	Moisture Content (%)	Profile	Elevation (ft)	SOIL AND ROCK DESCRIPTION	Depth (ft)	Sample Type recovery	Sample No.	SPT Values (blw/6 in)	Qu (tsf)	Moisture Content (%)
	588.03	inch thick, brown SILTY LOAM --TOPSOIL-- Stiff to very stiff, brown SILTY CLAY to SILTY CLAY LOAM, trace gravel; damp to moist --FILL-- --RDR 2--				1 3 3 3	2.30 S	16									
	584.5				2	2 4 3 5	1.23 B	25									
	582.5	Stiff, dark brown and gray SILTY CLAY LOAM; moist --Buried TOPSOIL--	5		3	1 3 3 4	1.80 B	27									
	581.3	Brown LOAM, trace gravel; moist to wet			4	1 2 1 3	NP	18									
	580.0	Very loose, brown SANDY LOAM, trace gravel; saturated			5	3 4 4 5	NP	14									
	578.8	Loose, brown and gray SILTY LOAM, trace to little gravel; saturated --RDR 2--			6	2 2 4 6	1.72 B	15									
	576.3	Stiff, gray SILTY CLAY LOAM, trace gravel; damp --RDR 2-- Boring terminated at 12.00 ft	10														

GENERAL NOTES

WATER LEVEL DATA

Begin Drilling **08-03-2021** Complete Drilling **08-03-2021**
 Drilling Contractor **Wang Testing Services** Drill Rig **21GeoT[92%]**
 Driller **NC&AG** Logger **E. Yim** Checked by **C. Marin**
 Drilling Method **2.25" ID HSA; boring backfilled upon completion**

While Drilling ∇ **7.00 ft**
 At Completion of Drilling \blacktriangledown **12.00 ft**
 Time After Drilling **NA**
 Depth to Water \blacktriangledown **NA**

The stratification lines represent the approximate boundary between soil types; the actual transition may be gradual.

BORING LOG EB-SGB-31

WEI Job No.: 255-39-01

Client **Stantec**
 Project **I-80 Reconstruction, Ridge Road to Houbolt Road**
 Location **Will County, Illinois**

Datum: NAVD 88
 Elevation: 604.40 ft
 North: 1755230.12 ft
 East: 1019884.25 ft
 Station: 340+65.88
 Offset: 103.1 RT

Profile	Elevation (ft)	SOIL AND ROCK DESCRIPTION	Depth (ft)	Sample Type recovery	Sample No.	SPT Values (blw/6 in)	Qu (tsf)	Moisture Content (%)	Profile	Elevation (ft)	SOIL AND ROCK DESCRIPTION	Depth (ft)	Sample Type recovery	Sample No.	SPT Values (blw/6 in)	Qu (tsf)	Moisture Content (%)					
	604.23	3-inch thick, black SILTY CLAY LOAM <p style="text-align: center;">--TOPSOIL--</p> Stiff, brown and gray CLAY LOAM to SILTY CLAY LOAM, trace gravel; damp <p style="text-align: center;">--FILL--</p> <p style="text-align: center;">--RDR 2--</p> --L _L (%)=33, P _L (%)=16-- --%Gravel=9.6-- --%Sand=18.2-- --%Silt=49.0-- --%Clay=23.2-- --A-6 (10)--			1	3 4 4 5	1.97 B	13														
	600.7	Very stiff to hard, brown SILTY CLAY, trace gravel; damp --RDR 2--	5		2	2 2 2 4	1.48 B	16														
			5		3	3 4 4 4	2.30 B	19														
					4	3 4 5 7	2.38 B	21														
					5	3 7 9 11	4.26 B	19														
	594.4	Boring terminated at 10.00 ft	10																			
			15																			

GENERAL NOTES

Begin Drilling **09-09-2021** Complete Drilling **09-09-2021**
 Drilling Contractor **Wang Testing Services** Drill Rig **21GeoT[92%]**
 Driller **N&K** Logger **F. Bozga** Checked by **C. Marin**
 Drilling Method **2.25" ID HSA; boring backfilled upon completion**

WATER LEVEL DATA

While Drilling ▽ **DRY**
 At Completion of Drilling ▼ **DRY**
 Time After Drilling **NA**
 Depth to Water ▽ **NA**

The stratification lines represent the approximate boundary between soil types; the actual transition may be gradual.



wangeng@wangeng.com
 1145 North Main Street
 60148
 Telephone: (630) 953-9928
 Fax: (630) 953-9938

BORING LOG WB-SGB-30

WEI Job No.: 255-39-01

Client **Stantec**
 Project **I-80 Reconstruction, Ridge Road to Houbolt Road**
 Location **Will County, Illinois**

Datum: Wang Srvy
 Elevation: 599.90 ft
 North: 1755382.73 ft
 East: 1019385.95 ft
 Station: 335+81.09
 Offset: 90.4 LT

Profile	Elevation (ft)	SOIL AND ROCK DESCRIPTION	Depth (ft)	Sample Type recovery	Sample No.	SPT Values (blw/6 in)	Qu (tsf)	Moisture Content (%)	Profile	Elevation (ft)	SOIL AND ROCK DESCRIPTION	Depth (ft)	Sample Type recovery	Sample No.	SPT Values (blw/6 in)	Qu (tsf)	Moisture Content (%)
	599.5	5-inch thick, black SILTY CLAY LOAM				2											
		--TOPSOIL--			1	3											
		Very stiff to hard, dark brown, brown and gray SILTY CLAY LOAM to SILTY CLAY, trace gravel				5	2.13	16									
						6	B										
		--FILL-- --RDR 2--			2	4											
						6	2.95	16									
						8	B										
			5		3	2											
						4	2.05	16									
						4	B										
					4	5											
						5	4.50	16									
						6	P										
						10											
					5	4											
						6	3.03	14									
						6	B										
						10											
	589.9	Boring terminated at 10.00 ft	10														

GENERAL NOTES

Begin Drilling **09-08-2021** Complete Drilling **09-08-2021**
 Drilling Contractor **Wang Testing Services** Drill Rig **21GeoT[92%]**
 Driller **N&K** Logger **F. Bozga** Checked by **C. Marin**
 Drilling Method **2.25" ID HSA; boring backfilled upon completion**

WATER LEVEL DATA

While Drilling ∇ **DRY**
 At Completion of Drilling ∇ **DRY**
 Time After Drilling **NA**
 Depth to Water ∇ **NA**

The stratification lines represent the approximate boundary between soil types; the actual transition may be gradual.



wangeng@wangeng.com
 1145 North Main Street
 60148
 Telephone: (630) 953-9928
 Fax: (630) 953-9938

BORING LOG WB-SGB-34

WEI Job No.: 255-39-01

Client **Stantec**
 Project **I-80 Reconstruction, Ridge Road to Houbolt Road**
 Location **Will County, Illinois**

Datum: NAVD 88
 Elevation: 604.45 ft
 North: 1755540.12 ft
 East: 1021784.20 ft
 Station: 359+83.68
 Offset: 84.4 LT

Profile	Elevation (ft)	SOIL AND ROCK DESCRIPTION	Depth (ft)	Sample Type recovery	Sample No.	SPT Values (blw/6 in)	Qu (tsf)	Moisture Content (%)	Profile	Elevation (ft)	SOIL AND ROCK DESCRIPTION	Depth (ft)	Sample Type recovery	Sample No.	SPT Values (blw/6 in)	Qu (tsf)	Moisture Content (%)
	604.0	5-inch thick, black SILTY CLAY; damp				2											
		--TOPSOIL--			1	4											
		Medium stiff to very stiff, brown and gray CLAY LOAM to SILTY LOAM, trace to little gravel; damp				7	1.07	12									
		--FILL--				8	B										
		--RDR 2--															
					2	6											
						9	1.07	10									
						9	S										
						9											
		--L _L (%)=25, P _L (%)=18--				7											
		--%Gravel=5.6--				5											
		--%Sand=13.9--				5	0.90	12									
		--%Silt=68.6--				5	S										
		--%Clay=11.9--				4											
		--A-4 (4)--															
					4	2											
						3											
						3	0.90	20									
						5	B										
					5	4											
						10	2.25	17									
						7	P										
						7											
	594.5	Boring terminated at 10.00 ft	10														

GENERAL NOTES

WATER LEVEL DATA

Begin Drilling **08-31-2021** Complete Drilling **08-31-2021**
 Drilling Contractor **Wang Testing Services** Drill Rig **20CME55T[81%]**
 Driller **R&R** Logger **M. Sadowski** Checked by **C. Marin**
 Drilling Method **2.25" ID HSA; boring backfilled upon completion**

While Drilling ∇ **DRY**
 At Completion of Drilling ∇ **DRY**
 Time After Drilling **NA**
 Depth to Water ∇ **NA**

The stratification lines represent the approximate boundary between soil types; the actual transition may be gradual.



wangeng@wangeng.com
 1145 North Main Street
 60148
 Telephone: (630) 953-9928
 Fax: (630) 953-9938

BORING LOG WB-SGB-37

WEI Job No.: 255-39-01

Client **Stantec**
 Project **I-80 Reconstruction, Ridge Road to Houbolt Road**
 Location **Will County, Illinois**

Datum: NAVD 88
 Elevation: 559.93 ft
 North: 1755572.45 ft
 East: 1023596.97 ft
 Station: 377+96.59
 Offset: 60.9 LT

Profile	Elevation (ft)	SOIL AND ROCK DESCRIPTION	Depth (ft)	Sample Type recovery	Sample No.	SPT Values (blw/6 in)	Qu (tsf)	Moisture Content (%)	Profile	Elevation (ft)	SOIL AND ROCK DESCRIPTION	Depth (ft)	Sample Type recovery	Sample No.	SPT Values (blw/6 in)	Qu (tsf)	Moisture Content (%)
		24-inch thick ASPHALT --PAVEMENT--															
	557.9																
	557.4	6-inch thick, very dense, gray and brown SAND; dry			1	22	NP	3									
	557.1	--AGGREGATE BASE--				26											
		Medium stiff (0.75 P), brown and gray CLAY LOAM, some gravel; damp				50/3"											
	555.9	Very dense, brown weathered DOLOSTONE; damp															
		--AUGER REFUSAL--	5														
		Boring terminated at 4.00 ft															

GENERAL NOTES

Begin Drilling **08-30-2021** Complete Drilling **08-30-2021**
 Drilling Contractor **Wang Testing Services** Drill Rig **20CME55T[81%]**
 Driller **R&R** Logger **M. Sadowski** Checked by **C. Marin**
 Drilling Method **2.25" ID HSA; boring backfilled upon completion**

WATER LEVEL DATA

While Drilling ∇ **DRY**
 At Completion of Drilling ∇ **DRY**
 Time After Drilling **NA**
 Depth to Water ∇ **NA**

The stratification lines represent the approximate boundary between soil types; the actual transition may be gradual.



wangeng@wangeng.com
 1145 North Main Street
 60148
 Telephone: (630) 953-9928
 Fax: (630) 953-9938

BORING LOG 80AA-BSB-01

WEI Job No.: 255-39-01

Client **Stantec**
 Project **I-80 Reconstruction, Ridge Road to Houbolt Road**
 Location **Will County, Illinois**

Datum: NAVD 88
 Elevation: 611.46 ft
 North: 1755478.84 ft
 East: 1020710.73 ft
 Station: 10+78.20
 Offset: 57.19 LT

Profile	Elevation (ft)	SOIL AND ROCK DESCRIPTION	Depth (ft)	Sample Type recovery	Sample No.	SPT Values (blw/6 in)	Qu (tsf)	Moisture Content (%)	Profile	Elevation (ft)	SOIL AND ROCK DESCRIPTION	Depth (ft)	Sample Type recovery	Sample No.	SPT Values (blw/6 in)	Qu (tsf)	Moisture Content (%)
	610.7	9-inch thick ASPHALT --PAVEMENT--								591.0	Very stiff, brown and gray CLAY to SILTY CLAY, trace gravel; damp						
	608.5	Dense, gray, black and brown Gravelly SAND, trace brick fragments; dry --FILL-- --RDR 2-3--			1	5 16 14	NP	7		588.5	Hard, brown and gray SILTY CLAY, trace gravel; damp --RDR 2--			9	5 6 8	3.28 B	29
		Very stiff to hard, black, brown and gray SILTY CLAY to SILTY CLAY LOAM, trace gravel; damp --FILL-- --RDR 2-3--			2	3 5 7	2.48 B	17		586.0	Medium dense, brown and gray SILTY LOAM; moist --RDR 2--			10	4 7 12	8.28 B	18
					3	3 3 11	4.76 B	19		583.5	Hard, brown and gray SILTY CLAY --RDR 2--			11	3 6 6	NP	18
					4	3 4 8	4.10 B	19		579.7	Medium dense, gray SILT; saturated --RDR 2--			12	4 7 9	4.92 B	22
					5	3 4 6	2.12 B	19		598.5	Very stiff, black, brown, and gray CLAY to SILTY CLAY, trace gravel; damp --FILL-- --RDR 2-15--			13	5 6 17	NP	23
					6	5 6 5	2.54 B	24						13			
					7	3 5 9	2.95 B	20						13			
					8	5 7 12	10.25 B	17		573.0	Strong, light grayish gray, very poor to fair quality, shaly DOLOSTONE, occasionally						

GENERAL NOTES

WATER LEVEL DATA

Begin Drilling **01-04-2022** Complete Drilling **01-04-2022**
 Drilling Contractor **Wang Testing Services** Drill Rig **20CME55T[81%]**
 Driller **JS&AP** Logger **E. Greenwood** Checked by **C. Marin**
 Drilling Method **3.25" ID HSA; boring backfilled upon completion**

While Drilling ∇ **31.75 ft**
 At Completion of Drilling ∇ **mud in the borehole**
 Time After Drilling **NA**
 Depth to Water ∇ **NA**

The stratification lines represent the approximate boundary between soil types; the actual transition may be gradual.

WANGENGINC 2553901.GPJ WANGENG.GDT 5/7/24



wangeng@wangeng.com
 1145 North Main Street
 60148
 Telephone: (630) 953-9928
 Fax: (630) 953-9938

BORING LOG 80AA-BSB-01

WEI Job No.: 255-39-01

Client **Stantec**
 Project **I-80 Reconstruction, Ridge Road to Houbolt Road**
 Location **Will County, Illinois**

Datum: NAVD 88
 Elevation: 611.46 ft
 North: 1755478.84 ft
 East: 1020710.73 ft
 Station: 10+78.20
 Offset: 57.19 LT

Profile	Elevation (ft)	SOIL AND ROCK DESCRIPTION	Depth (ft)	Sample Type recovery	Sample No.	SPT Values (blw/6 in)	Qu (tsf)	Moisture Content (%)	Profile	Elevation (ft)	SOIL AND ROCK DESCRIPTION	Depth (ft)	Sample Type recovery	Sample No.	SPT Values (blw/6 in)	Qu (tsf)	Moisture Content (%)
		vuggy; few shale partings, bedded, very closely to closely spaced, moderately to slightly weathered, horizontal, oblique, and vertical joints, with 0.00 - > 0.2 inch opening, slicken to slightly rough walls, and no infill. --RUN 1: 38.5 to 43.5 feet-- --Recovery: 97%-- --RQD: 0%-- --RUN 2: 43.5 to 53.5 feet-- --Recovery: 92%-- --RQD: 55%-- --Q _u =10,600 psi	14														
			15														
	558.0	Boring terminated at 53.50 ft	50														
			55														
			60														

CORRECTION

GENERAL NOTES

Begin Drilling **01-04-2022** Complete Drilling **01-04-2022**
 Drilling Contractor **Wang Testing Services** Drill Rig **20CME55T[81%]**
 Driller **JS&AP** Logger **E. Greenwood** Checked by **C. Marin**
 Drilling Method **3.25" ID HSA; boring backfilled upon completion**

WATER LEVEL DATA

While Drilling ∇ **31.75 ft**
 At Completion of Drilling ∇ **mud in the borehole**
 Time After Drilling **NA**
 Depth to Water ∇ **NA**

The stratification lines represent the approximate boundary between soil types; the actual transition may be gradual.



wangeng@wangeng.com
 1145 North Main Street
 60148
 Telephone: (630) 953-9928
 Fax: (630) 953-9938

BORING LOG 80AA-BSB-02

WEI Job No.: 255-39-01

Client **Stantec**
 Project **I-80 Reconstruction, Ridge Road to Houbolt Road**
 Location **Will County, Illinois**

Datum: NAVD 88
 Elevation: 608.67 ft
 North: 1755399.72 ft
 East: 1020610.93 ft
 Station: 11+49.67
 Offset: 48.54 RT

Profile	Elevation (ft)	SOIL AND ROCK DESCRIPTION	Depth (ft)	Sample Type recovery	Sample No.	SPT Values (blw/6 in)	Qu (tsf)	Moisture Content (%)	Profile	Elevation (ft)	SOIL AND ROCK DESCRIPTION	Depth (ft)	Sample Type recovery	Sample No.	SPT Values (blw/6 in)	Qu (tsf)	Moisture Content (%)	
	607.7	12-inch thick, brown SILTY CLAY --TOPSOIL-- Stiff to hard, brown and gray SILTY CLAY, trace gravel and wood fragments; damp --FILL-- --RDR 2--	0	X	1	7 2 4	1.39 B	12		588.2	Hard, brown and gray SILTY CLAY to SILTY CLAY LOAM, trace gravel; damp --RDR 2--	0	X	9	7 11 16	6.31 B	21	
			5	X	2	7 7 10	2.50 P	29		585.7	Loose to medium dense, gray SANDY GRAVEL; damp to saturated --RDR 2-3-- --rig chatter; possible cobbles--	25	X	10	5 6 5	NP		
			10	X	3	5 7 11	5.33 B	18					X	11	5 3 4	NP	16	
	600.7	Very stiff to hard, brown and gray CLAY LOAM to SILTY CLAY LOAM, trace gravel; damp --FILL-- --RDR 2-3--	10	X	4	5 14 14	4.10 S	18		580.7	Very stiff, gray SILTY CLAY, trace gravel; moist		X	12	3 7 8	2.05 B	17	
			15	X	5	7 8 9	4.02 S	19		579.7	Medium dense, gray SILT, trace gravel; damp to moist --RDR 2-3-- --hard drilling; possible cobbles--	30	X	12	3 7 8	2.05 B	17	
		--rig chatter; possible cobbles--	15	O	6	8 8 10	NR				--hard drilling; possible cobbles--	35	X	13	9 12 12	NP	14	
			20	X	7	4 6 8	3.20 S	16		572.2	--hard slow drilling at 35.5 feet; possible bedrock-- Strong, light grayish gray, poor to good quality, shaly DOLOSTONE, occasionally vuggy; few shale partings, bedded, closely spaced, slightly weathered, horizontal, oblique,	40						
	590.7	Hard, gray and black SILTY CLAY, trace gravel and organic matter; damp --RDR 2--	20	X	8	6 9 10	4.50 P	20										

GENERAL NOTES

WATER LEVEL DATA

Begin Drilling **01-12-2022** Complete Drilling **01-12-2022**
 Drilling Contractor **Wang Testing Services** Drill Rig **21GeoT[92%]**
 Driller **JS&AP** Logger **M. Rojo** Checked by **C. Marin**
 Drilling Method **2.25" ID HSA to 10 ft; mud rotary thereafter; boring backfilled upon completion**

While Drilling ∇ **27.00 ft**
 At Completion of Drilling ∇ **NA**
 Time After Drilling **24 hours**
 Depth to Water ∇ **0 ft (cave in 1.5 ft) ft**
 The stratification lines represent the approximate boundary between soil types; the actual transition may be gradual.

WANGENGINC 2553901.GPJ WANGENG.GDT 5/7/24



wangeng@wangeng.com
 1145 North Main Street
 60148
 Telephone: (630) 953-9928
 Fax: (630) 953-9938

BORING LOG 80AA-BSB-02

WEI Job No.: 255-39-01

Client **Stantec**
 Project **I-80 Reconstruction, Ridge Road to Houbolt Road**
 Location **Will County, Illinois**

Datum: NAVD 88
 Elevation: 608.67 ft
 North: 1755399.72 ft
 East: 1020610.93 ft
 Station: 11+49.67
 Offset: 48.54 RT

Profile	Elevation (ft)	SOIL AND ROCK DESCRIPTION	Depth (ft)	Sample Type recovery	Sample No.	SPT Values (blw/6 in)	Qu (tsf)	Moisture Content (%)	Profile	Elevation (ft)	SOIL AND ROCK DESCRIPTION	Depth (ft)	Sample Type recovery	Sample No.	SPT Values (blw/6 in)	Qu (tsf)	Moisture Content (%)
		and vertical JOINTS, with 0-0.2 inch opening, slicken walls, and 0 inch thick clay infill. --RUN 1: 36.5 to 46.5 feet-- --Recovery: 90%-- --RQD: 36%--	45		14												
		--RUN 2: 46.5 to 52.0 feet-- --Recovery: 100%-- --RQD: 66%--	50		15												
	556.7	Boring terminated at 52.00 ft	55														
			60														

CORRE

GENERAL NOTES

Begin Drilling **01-12-2022** Complete Drilling **01-12-2022**
 Drilling Contractor **Wang Testing Services** Drill Rig **21GeoT[92%]**
 Driller **JS&AP** Logger **M. Rojo** Checked by **C. Marin**
 Drilling Method **2.25" ID HSA to 10 ft; mud rotary thereafter; boring backfilled upon completion**

WATER LEVEL DATA

While Drilling ∇ **27.00 ft**
 At Completion of Drilling ∇ **NA**
 Time After Drilling **24 hours**
 Depth to Water ∇ **0 ft (cave in 1.5 ft) ft**
 The stratification lines represent the approximate boundary between soil types; the actual transition may be gradual.



BORING LOG 80AA-BSB-03

wangeng@wangeng.com
 1145 North Main Street
 60148
 Telephone: (630) 953-9928
 Fax: (630) 953-9938

WEI Job No.: 255-39-01

Client **Stantec**
 Project **I-80 Reconstruction, Ridge Road to Houbolt Road**
 Location **Will County, Illinois**

Datum: NAVD 88
 Elevation: 607.05 ft
 North: 1755317.15 ft
 East: 1020594.39 ft
 Station: 12+23.63
 Offset: 77.76 RT

Profile	Elevation (ft)	SOIL AND ROCK DESCRIPTION	Depth (ft)	Sample Type recovery	Sample No.	SPT Values (blw/6 in)	Qu (tsf)	Moisture Content (%)	Profile	Elevation (ft)	SOIL AND ROCK DESCRIPTION	Depth (ft)	Sample Type recovery	Sample No.	SPT Values (blw/6 in)	Qu (tsf)	Moisture Content (%)
	606.3	9.5-inch thick ASPHALT --PAVEMENT--								586.6							
		Very dense, brown SANDY GRAVEL, trace asphalt fragments; dry --FILL--			1	23 50 19	NP	2			Very stiff, black, brown and gray CLAY to SILTY CLAY, trace organic matter; damp --RDR 2--			9	3 4 7	2.57 B	30
	604.1	Very stiff to hard, black, brown and gray CLAY to SILTY CLAY LOAM, trace to little gravel; damp --FILL-- --RDR 2--			2	3 3 3	3.00 P	20		584.1	Hard, brown and gray SILTY CLAY to SILTY CLAY LOAM, trace gravel; damp --RDR 2--			10	6 6 9	4.51 B	20
		--wet spoon recovery; possible saturated sand lens-- --L _L (%)=35, P _L (%)=14-- --%Gravel=3.5-- --%Sand=17.6-- --%Silt=47.5-- --%Clay=31.4-- --A-6 (15)--			3	2 3 5	3.44 B	16						11	5 8 11	4.92 B	17
					4	5 7 10	4.50 P	11						12	7 8 12	5.33 B	20
					5	4 5 8	3.10 B	18		575.3	Medium dense, gray SILTY LOAM, trace gravel; saturated --RDR 2--			13	4 5 7	NP	10
					6	5 6 4	5.33 B	18						13	4 5 7	NP	10
					7	6 9 10	5.00 B	14									
					8	5 6 13	4.00 P	11		569.1	Strong, light grayish gray, poor to fair quality, shaly DOLOSTONE, occasionally vuggy; few shale partings, bedded, occasionally						

GENERAL NOTES

Begin Drilling **01-05-2022** Complete Drilling **01-05-2022**
 Drilling Contractor **Wang Testing Services** Drill Rig **20CME55T[81%]**
 Driller **JS&AP** Logger **E. Greenwood** Checked by **C. Marin**
 Drilling Method **3.25" ID HSA; boring backfilled upon completion**

WATER LEVEL DATA

While Drilling **5.50 ft**
 At Completion of Drilling **NA**
 Time After Drilling **132 hours**
 Depth to Water **2.00 ft**

The stratification lines represent the approximate boundary between soil types; the actual transition may be gradual.

WANGENGINC 2553901.GPJ WANGENG.GDT 5/7/24



wangeng@wangeng.com
 1145 North Main Street
 60148
 Telephone: (630) 953-9928
 Fax: (630) 953-9938

BORING LOG 80AA-BSB-03

WEI Job No.: 255-39-01

Client **Stantec**
 Project **I-80 Reconstruction, Ridge Road to Houbolt Road**
 Location **Will County, Illinois**

Datum: NAVD 88
 Elevation: 607.05 ft
 North: 1755317.15 ft
 East: 1020594.39 ft
 Station: 12+23.63
 Offset: 77.76 RT

Profile	Elevation (ft)	SOIL AND ROCK DESCRIPTION	Depth (ft)	Sample Type recovery	Sample No.	SPT Values (blw/6 in)	Qu (tsf)	Moisture Content (%)	Profile	Elevation (ft)	SOIL AND ROCK DESCRIPTION	Depth (ft)	Sample Type recovery	Sample No.	SPT Values (blw/6 in)	Qu (tsf)	Moisture Content (%)
		with interbedded mudstone, closely spaced, slightly weathered, horizontal and oblique joints, with <0.05 inch opening, slicken to slightly rough walls, and no infill.															
		--RUN 1: 38.0 to 48.0 feet--			14												
		--Recovery: 96%--															
		--RQD: 42%--															
			45														
		--Qu=6,988 psi															
		--RUN 2: 48.0 to 53.0 feet--															
		--Recovery: 100%--															
		--RQD: 61%--															
			50														
					15												
	554.1	Boring terminated at 53.00 ft															
			55														
			60														

GENERAL NOTES

WATER LEVEL DATA

Begin Drilling **01-05-2022** Complete Drilling **01-05-2022**
 Drilling Contractor **Wang Testing Services** Drill Rig **20CME55T[81%]**
 Driller **JS&AP** Logger **E. Greenwood** Checked by **C. Marin**
 Drilling Method **3.25" ID HSA; boring backfilled upon completion**

While Drilling ∇ **5.50 ft**
 At Completion of Drilling ∇ **NA**
 Time After Drilling **132 hours**
 Depth to Water ∇ **2.00 ft**

The stratification lines represent the approximate boundary between soil types; the actual transition may be gradual.



wangeng@wangeng.com
 1145 North Main Street
 60148
 Telephone: (630) 953-9928
 Fax: (630) 953-9938

BORING LOG 80AA-BSB-04

WEI Job No.: 255-39-01

Client **Stantec**
 Project **I-80 Reconstruction, Ridge Road to Houbolt Road**
 Location **Will County, Illinois**

Datum: NAVD 88
 Elevation: 610.72 ft
 North: 1755345.82 ft
 East: 1020723.07 ft
 Station: 12+20.43
 Offset: 54.03 LT

Profile	Elevation (ft)	SOIL AND ROCK DESCRIPTION	Depth (ft)	Sample Type recovery	Sample No.	SPT Values (blw/6 in)	Qu (tsf)	Moisture Content (%)	Profile	Elevation (ft)	SOIL AND ROCK DESCRIPTION	Depth (ft)	Sample Type recovery	Sample No.	SPT Values (blw/6 in)	Qu (tsf)	Moisture Content (%)
		12-inch thick ASPHALT --PAVEMENT--								590.2	Stiff, brown and gray CLAY to SILTY CLAY, trace gravel; damp --RDR 2--						
	609.7	Dense, brown SANDY GRAVEL; moist --AGGREGATE BASE-- --RDR 2--			1	12 22 26	NP	7						9	5 5 7	1.50 P	28
	607.7	Stiff to very stiff, brown and gray SILTY CLAY to SILTY CLAY LOAM, trace to few gravel; damp --FILL-- --RDR 2--			2	5 4 3	1.00 P	22		587.7	Very stiff to hard, brown and gray SILTY CLAY, trace gravel --RDR 2--			10	5 10 12	4.16 B	22
					3	3 5 9	3.69 B	17						11	3 6 11	3.20 B	21
					4	3 5 8	3.50 P	20						12	5 7 11	3.36 B	23
					5	5 8 11	NR										
					6	5 8 10	3.61 B	18						13	7 11 16	2.75 P	22
					7	6 7 11	3.00 P	21		573.2	--AUGER REFUSAL-- Boring terminated at 37.50 ft						
					8	8 10 14	2.50 P	24									

GENERAL NOTES

Begin Drilling **02-03-2022** Complete Drilling **02-03-2022**
 Drilling Contractor **Wang Testing Services** Drill Rig **17B57T [91%]**
 Driller **N&K** Logger **F. Bozga** Checked by **C. Marin**
 Drilling Method **2.25" ID HSA; boring backfilled upon completion**

WATER LEVEL DATA

While Drilling ∇ **5.50 ft**
 At Completion of Drilling ∇ **5.00 ft**
 Time After Drilling **NA**
 Depth to Water ∇ **NA**

The stratification lines represent the approximate boundary between soil types; the actual transition may be gradual.



wangeng@wangeng.com
 1145 North Main Street
 60148
 Telephone: (630) 953-9928
 Fax: (630) 953-9938

BORING LOG 80AA-BSB-04B

WEI Job No.: 255-39-01

Client **Stantec**
 Project **I-80 Reconstruction, Ridge Road to Houbolt Road**
 Location **Will County, Illinois**

Datum: NAVD 88
 Elevation: 611.15 ft
 North: 1755351.42 ft
 East: 1020729.09 ft
 Station: 12+15.79
 Offset: 61 LT

Profile	Elevation (ft)	SOIL AND ROCK DESCRIPTION	Depth (ft)	Sample Type recovery	Sample No.	SPT Values (blw/6 in)	Qu (tsf)	Moisture Content (%)	Profile	Elevation (ft)	SOIL AND ROCK DESCRIPTION	Depth (ft)	Sample Type recovery	Sample No.	SPT Values (blw/6 in)	Qu (tsf)	Moisture Content (%)
		--Drilled without sampling to 39 feet--	5								--Drilled without sampling to 39 feet--	25					
			10									30					
			15									35					
			20							574.2	--slow hard drilling; possible bedrock at 37 feet-- Medium strong, dark gray, poor rock quality, shaly DOLOSTONE; closely spaced, slightly weathered, horizontal and oblique joints, with 0 inch opening, slightly rough walls, and no infill.	40					C O

GENERAL NOTES

WATER LEVEL DATA

Begin Drilling **05-03-2022** Complete Drilling **05-03-2022**
 Drilling Contractor **Wang Testing Services** Drill Rig **20CME55T[81%]**
 Driller **JS&AG** Logger **A. Scifers** Checked by **C. Marin**
 Drilling Method **2.25" ID HSA to 10 ft; mud rotary thereafter; boring... backfilled upon completion**

While Drilling ∇ **NA**
 At Completion of Drilling ∇ **mud in the borehole**
 Time After Drilling **NA**
 Depth to Water ∇ **NA**

The stratification lines represent the approximate boundary between soil types; the actual transition may be gradual.



wangeng@wangeng.com
 1145 North Main Street
 60148
 Telephone: (630) 953-9928
 Fax: (630) 953-9938

BORING LOG 80AA-BSB-04B

WEI Job No.: 255-39-01

Client **Stantec**
 Project **I-80 Reconstruction, Ridge Road to Houbolt Road**
 Location **Will County, Illinois**

Datum: NAVD 88
 Elevation: 611.15 ft
 North: 1755351.42 ft
 East: 1020729.09 ft
 Station: 12+15.79
 Offset: 61 LT

Profile	Elevation (ft)	SOIL AND ROCK DESCRIPTION	Depth (ft)	Sample Type recovery	Sample No.	SPT Values (blw/6 in)	Qu (tsf)	Moisture Content (%)	Profile	Elevation (ft)	SOIL AND ROCK DESCRIPTION	Depth (ft)	Sample Type recovery	Sample No.	SPT Values (blw/6 in)	Qu (tsf)	Moisture Content (%)
		--RUN 1: 39.0 to 49.0 feet-- --Recovery: 95%-- --RQD: 43%--	45		1												
		--RUN 2: 49.0 to 54.0 feet-- --Recovery: 100%-- --RQD: 48%--	50		2												
	557.2	Boring terminated at 54.00 ft	55														
			60														

GENERAL NOTES

Begin Drilling **05-03-2022** Complete Drilling **05-03-2022**
 Drilling Contractor **Wang Testing Services** Drill Rig **20CME55T[81%]**
 Driller **JS&AG** Logger **A. Scifers** Checked by **C. Marin**
 Drilling Method **2.25" ID HSA to 10 ft; mud rotary thereafter; boring...
 backfilled upon completion**

WATER LEVEL DATA

While Drilling ∇ **NA**
 At Completion of Drilling ∇ **mud in the borehole**
 Time After Drilling **NA**
 Depth to Water ∇ **NA**

The stratification lines represent the approximate boundary between soil types; the actual transition may be gradual.



wangeng@wangeng.com
 1145 North Main Street
 60148
 Telephone: (630) 953-9928
 Fax: (630) 953-9938

BORING LOG AA-BSB-01

WEI Job No.: 255-39-01

Client **Stantec**
 Project **I-80 Reconstruction, Ridge Road to Houbolt Road**
 Location **Will County, Illinois**

Datum: NAVD 88
 Elevation: 579.72 ft
 North: 1754609.97 ft
 East: 1021399.04 ft
 Station: 23+14.09
 Offset: 4.16 LT

Profile	Elevation (ft)	SOIL AND ROCK DESCRIPTION	Depth (ft)	Sample Type recovery	Sample No.	SPT Values (blw/6 in)	Qu (tsf)	Moisture Content (%)	Profile	Elevation (ft)	SOIL AND ROCK DESCRIPTION	Depth (ft)	Sample Type recovery	Sample No.	SPT Values (blw/6 in)	Qu (tsf)	Moisture Content (%)
	578.8	11-inch thick, brown SILTY CLAY, trace gravel; damp --TOPSOIL--												5			
		Hard, brown and gray SILTY CLAY, trace gravel; damp --RDR 2--			1	7 9 13	6.72 B	20		556.7	Boring terminated at 23.00 ft						
			5		2	4 8 11	7.38 B	21				25					
	573.1	Very dense, brown and gray Gravelly SILTY LOAM; wet --RDR 2-3--			3	3	4.50 P	22									
	571.7	Strong, light gray, very poor rock quality, DOLOSTONE; closely spaced, moderately weathered, horizontal and oblique joints, with <0.05 inch opening, slightly rough walls, and <0.2 inch thick clay infill. --RUN 1: 8.0 to 18.0 feet-- --Recovery: 100%-- --RQD: 23%--	10		4							30					
			15									35					
			20									40					

GENERAL NOTES

Begin Drilling **12-27-2022** Complete Drilling **12-27-2022**
 Drilling Contractor **Wang Testing Services** Drill Rig **21D120A[78%]**
 Driller **NC&DZ** Logger **B. Miller** Checked by **C. Marin**
 Drilling Method **3.25" ID HSA; boring backfilled upon completion**

WATER LEVEL DATA

While Drilling ∇ **6.00 ft**
 At Completion of Drilling ∇ **6.00 ft**
 Time After Drilling **NA**
 Depth to Water ∇ **NA**

The stratification lines represent the approximate boundary between soil types; the actual transition may be gradual.

WANGENGINC 2553901.GPJ WANGENG.GDT 5/7/24



wangeng@wangeng.com
 1145 North Main Street
 60148
 Telephone: (630) 953-9928
 Fax: (630) 953-9938

BORING LOG AA-BSB-03

WEI Job No.: 255-39-01

Client **Stantec**
 Project **I-80 Reconstruction, Ridge Road to Houbolt Road**
 Location **Will County, Illinois**

Datum: NAVD 88
 Elevation: 580.62 ft
 North: 1754566.58 ft
 East: 1021605.88 ft
 Station: 25+20.96
 Offset: 26.62 LT

Profile	Elevation (ft)	SOIL AND ROCK DESCRIPTION	Depth (ft)	Sample Type recovery	Sample No.	SPT Values (blw/6 in)	Qu (tsf)	Moisture Content (%)	Profile	Elevation (ft)	SOIL AND ROCK DESCRIPTION	Depth (ft)	Sample Type recovery	Sample No.	SPT Values (blw/6 in)	Qu (tsf)	Moisture Content (%)
	580.0	8-inch thick, brown SILTY CLAY, trace gravel; damp									--RQD: 61%--						
		--TOPSOIL-- Very stiff, brown CLAY LOAM to SILTY CLAY LOAM, trace gravel; damp			1	3 3 4	2.00 P	18		558.1			6				
	577.6	--FILL-- --RDR 2-- Very stiff, brown and gray SILTY CLAY, trace gravel; damp			2	4 4 7	2.95 B	24			Boring terminated at 22.50 ft						
	575.1	Very stiff, gray SILTY LOAM, trace gravel; wet															
	574.1	Very dense, orange and gray Sandy GRAVEL; damp			3	6	2.50 P	12									
	573.1	--Weathered BEDROCK-- Strong, light brown and gray, very poor to fair rock mass quality, cherty and vuggy, slightly weathered DOLOSTONE; closely to very closely spaced, moderately weathered joints, mainly horizontal joints, with <0.05 inch opening, slightly rough walls, and <0.2 inch thick clay infill.															
		--RUN 1: 7.5 to 17.5 feet-- --Recovery: 99%-- --RQD: 0%--			4												
		--RUN 2: 17.5 to 19.0 feet-- --Recovery: 92%-- --RQD: 26%-- --Qu=9,120 psi			5												
		--RUN 3: 19.0 to 22.5.0 feet-- --Recovery: 93%--															

GENERAL NOTES

WATER LEVEL DATA

Begin Drilling **12-08-2022** Complete Drilling **12-19-2022**
 Drilling Contractor **Wang Testing Services** Drill Rig **21D120A[78%]**
 Driller **RR&JD** Logger **B. Miller** Checked by **C. Marin**
 Drilling Method **3.25" ID HSA; boring backfilled upon completion**

While Drilling ∇ **6.00 ft**
 At Completion of Drilling ∇ **5.00 ft**
 Time After Drilling **NA**
 Depth to Water ∇ **NA**

The stratification lines represent the approximate boundary between soil types; the actual transition may be gradual.

WANGENGINC 2553901.GPJ WANGENG.GDT 5/7/24



wangeng@wangeng.com
 1145 North Main Street
 60148
 Telephone: (630) 953-9928
 Fax: (630) 953-9938

BORING LOG AA-RWB-01

WEI Job No.: 255-39-01

Client **Stantec**
 Project **I-80 Reconstruction, Ridge Road to Houbolt Road**
 Location **Will County, Illinois**

Datum: NAVD 88
 Elevation: 595.78 ft
 North: 1755150.16 ft
 East: 1020658.18 ft
 Station: 13+89.40
 Offset: 63.623 RT

Profile	Elevation (ft)	SOIL AND ROCK DESCRIPTION	Depth (ft)	Sample Type recovery	Sample No.	SPT Values (blw/6 in)	Qu (tsf)	Moisture Content (%)	Profile	Elevation (ft)	SOIL AND ROCK DESCRIPTION	Depth (ft)	Sample Type recovery	Sample No.	SPT Values (blw/6 in)	Qu (tsf)	Moisture Content (%)	
	595.3	6-inch thick, brown SILTY CLAY; damp --TOPSOIL-- Hard, brown SILTY CLAY, trace gravel; damp --FILL-- --RDR 2--			1	6 10 12	4.50 P	23						9	15 15 34	1.72 B	11	
	590.3	Hard, black and gray CLAY; damp --RDR 2-- --L _L (%)=59, P _L (%)=20-- --%Gravel=0.5-- --%Sand=5.8-- --%Silt=43.4-- --%Clay=50.4--			2	3 6 8	4.50 P	21		572.8	Very dense, gray GRAVEL; saturated --Weathered BEDROCK--			10			12	
	587.8	Hard, brown to brown and gray SILTY CLAY LOAM, trace gravel; moist --RDR 2--			3	4 6 8	4.02 B	25		571.8	Strong, gray, poor rock quality, shaly DOLOSTONE; closely spaced, slightly weathered, horizontal and vertical joints, with <0.05 inch opening, rough walls, and <0.05 to no infill. -- Run 1: 24.0 to 34.0 feet-- --Recovery = 100%-- --RQD = 19%--			11			R 1	
					4	5 9 13	7.30 B	19										
					5	8 13 18	6.89 B	20										
					6	6 10 15	7.30 B	21										
	579.3	Medium dense, orange and brown SANDY LOAM, trace gravel; saturated --L _L (%)=18, P _L (%)=12-- --%Gravel=3.4-- --%Sand=55.1-- --%Silt=33.4-- --%Clay=8.2--			7	5 4 6	NP	19		561.8	Boring terminated at 34.00 ft							
	577.8				8	4 7 9	3.20 B	15										

GENERAL NOTES

WATER LEVEL DATA

Begin Drilling **12-08-2022** Complete Drilling **12-19-2022**
 Drilling Contractor **Wang Testing Services** Drill Rig **21D120A[78%]**
 Driller **RR&JD** Logger **B. Miller** Checked by **C. Marin**
 Drilling Method **3.25" ID HSA; boring backfilled upon completion**

While Drilling ∇ **16.50 ft**
 At Completion of Drilling ∇ **16.00 ft**
 Time After Drilling **NA**
 Depth to Water ∇ **NA**

The stratification lines represent the approximate boundary between soil types; the actual transition may be gradual.

WANGENGINC 2553901.GPJ WANGENG.GDT 5/7/24



wangeng@wangeng.com
 1145 North Main Street
 60148
 Telephone: (630) 953-9928
 Fax: (630) 953-9938

BORING LOG AA-RWB-02

WEI Job No.: 255-39-01

Client **Stantec**
 Project **I-80 Reconstruction, Ridge Road to Houbolt Road**
 Location **Will County, Illinois**

Datum: NAVD 88
 Elevation: 596.60 ft
 North: 1755092.49 ft
 East: 1020704.93 ft
 Station: 14+57.06
 Offset: 43.88 RT

Profile	Elevation (ft)	SOIL AND ROCK DESCRIPTION	Depth (ft)	Sample Type recovery	Sample No.	SPT Values (blw/6 in)	Qu (tsf)	Moisture Content (%)	Profile	Elevation (ft)	SOIL AND ROCK DESCRIPTION	Depth (ft)	Sample Type recovery	Sample No.	SPT Values (blw/6 in)	Qu (tsf)	Moisture Content (%)	
	596.0	7-inch thick brown SILTY CLAY; damp --TOPSOIL--									gray LOAM to CLAY LOAM, some gravel; damp --RDR 2--							
		Hard, brown SILTY CLAY, trace gravel; damp --FILL-- --RDR 2--			1	4 5 7	4.50 P	19						9	15 22 33	2.79 B	10	
					2	4 6 14	4.84 B	24		573.6	Very dense, gray GRAVEL; saturated --RDR 2-- --Weathered BEDROCK-- --AUGER REFUSAL--			10	50/2"	NP	12	
	591.1	Very stiff, black and gray CLAY to SILTY CLAY; damp --RDR 2--			3	8 7 8	3.77 B	26										
	588.6	Hard, gray SILTY CLAY to SILTY CLAY LOAM, trace to little gravel; damp --RDR 2--			4	6 11 14	9.43 B	19										
					5	7 12 16	5.41 B	19										
		--L _L (%)=40, P _L (%)=19-- --%Gravel=3.3-- --%Sand=5.2-- --%Silt=50.7-- --%Clay=40.8--			6	7 11 14	5.74 B	26										
	581.1	Very stiff, brown to gray SILTY LOAM to CLAY LOAM, little gravel; wet --RDR 2--			7	10 11 10	2.00 P	17										
	577.4	Medium dense to very dense, 20"			8	5 7 11	NA											

GENERAL NOTES

WATER LEVEL DATA

Begin Drilling **12-08-2022** Complete Drilling **12-08-2022**
 Drilling Contractor **Wang Testing Services** Drill Rig **21D120A[78%]**
 Driller **RR&JD** Logger **B. Miller** Checked by **C. Marin**
 Drilling Method **2.25" ID HSA; boring backfilled upon completion**

While Drilling **21.00 ft**
 At Completion of Drilling **20.00 ft**
 Time After Drilling **72 hours**
 Depth to Water **Dry (cave in 3 ft) ft**

The stratification lines represent the approximate boundary between soil types; the actual transition may be gradual.

WANGENGINC 2553901.GPJ WANGENG.GDT 5/7/24



wangeng@wangeng.com
 1145 North Main Street
 60148
 Telephone: (630) 953-9928
 Fax: (630) 953-9938

BORING LOG AA-RWB-03

WEI Job No.: 255-39-01

Client **Stantec**
 Project **I-80 Reconstruction, Ridge Road to Houbolt Road**
 Location **Will County, Illinois**

Datum: NAVD 88
 Elevation: 595.89 ft
 North: 1755044.19 ft
 East: 1020751.41 ft
 Station: 15+19.11
 Offset: 25.09 RT

Profile	Elevation (ft)	SOIL AND ROCK DESCRIPTION	Depth (ft)	Sample Type recovery	Sample No.	SPT Values (blw/6 in)	Qu (tsf)	Moisture Content (%)	Profile	Elevation (ft)	SOIL AND ROCK DESCRIPTION	Depth (ft)	Sample Type recovery	Sample No.	SPT Values (blw/6 in)	Qu (tsf)	Moisture Content (%)		
	595.1	9-inch thick, brown SILTY CLAY; damp --TOPSOIL-- Very stiff to hard, brown SILTY CLAY, trace gravel; damp --FILL-- --RDR 2--			1	4 4 9	3.36 B	21		575.4	Very dense, gray LOAM to CLAY LOAM, little gravel; moist --dolostone chips--			9	21 23 50/4"		NP	10	
	591.9	Medium dense to dense, brown and gray Gravelly LOAM to SANDY LOAM; damp --FILL-- --RDR 2-- --%Gravel=33.8-- --%Sand=30.4-- --%Silt=28.6-- --%Clay=7.3--	5		2	27 20 13	4.50 P	15		572.4	Strong, light gray, very poor rock quality, DOLOSTONE; closely spaced, highly weathered, horizontal, oblique and vertical joints, with <0.2 inch opening, rough walls, and <0.2 inch thick clay infill. -- Run 1: 23.5 to 33.5 feet-- --Recovery = 95%-- --RQD = 19%--	25							
	587.9	Hard, brown and gray SILTY CLAY, trace gravel; damp --RDR 2--	10		3	26 11 5	NP	7						10					R 1
					4	4 8 15	9.84 B	19											
					5	7 10 15	8.77 B	20											
					6	5 8 9	6.97 B	21		562.4	Boring terminated at 33.50 ft								
	580.4	Stiff to very stiff, orange, brown, and gray SILTY LOAM to SILTY CLAY LOAM, trace to some gravel; moist to saturated --RDR 2-3--			7	6 8 18	2.00 P	16											
					8	2 4 5	1.15 B	17											

GENERAL NOTES

Begin Drilling **12-21-2022** Complete Drilling **12-21-2022**
 Drilling Contractor **Wang Testing Services** Drill Rig **21D120A[78%]**
 Driller **NC&DZ** Logger **B. Miller** Checked by **C. Marin**
 Drilling Method **3.25" ID HSA; boring backfilled upon completion**

WATER LEVEL DATA

While Drilling ∇ **16.00 ft**
 At Completion of Drilling ∇ **15.00 ft**
 Time After Drilling **NA**
 Depth to Water ∇ **NA**

The stratification lines represent the approximate boundary between soil types; the actual transition may be gradual.

WANGENGINC 2553901.GPJ WANGENG.GDT 5/7/24



wangeng@wangeng.com
 1145 North Main Street
 60148
 Telephone: (630) 953-9928
 Fax: (630) 953-9938

BORING LOG AA-RWB-04

WEI Job No.: 255-39-01

Client **Stantec**
 Project **I-80 Reconstruction, Ridge Road to Houbolt Road**
 Location **Will County, Illinois**

Datum: NAVD 88
 Elevation: 595.05 ft
 North: 1754978.59 ft
 East: 1020796.84 ft
 Station: 15+96.88
 Offset: 21.28 RT

Profile	Elevation (ft)	SOIL AND ROCK DESCRIPTION	Depth (ft)	Sample Type recovery	Sample No.	SPT Values (blw/6 in)	Qu (tsf)	Moisture Content (%)	Profile	Elevation (ft)	SOIL AND ROCK DESCRIPTION	Depth (ft)	Sample Type recovery	Sample No.	SPT Values (blw/6 in)	Qu (tsf)	Moisture Content (%)
	594.1	12-inch thick dark brown SILTY CLAY --Buried TOPSOIL-- Very stiff to hard, brown SILTY CLAY LOAM to CLAY LOAM, trace gravel; damp --FILL-- --RDR 2--	5	X	1	4 9 13	4.50 P	19		574.6	--gray-- Hard, light gray Gravelly SILTY LOAM to CLAY LOAM, few dolostone fragments; moist --RDR 2-3--	9	X	9	14 19 39	4.50 P	9
			5	X	2	7 8 10	4.02 B	20			--RDR 3--	25	X	10	30 41 50/4"	4.50 P	13
		--black and brown--		X	3	4 7 12	3.77 B	24		570.1	--AUGER REFUSAL-- Boring terminated at 25.00 ft						
	587.1	Hard, brown and gray to gray SILTY CLAY LOAM, trace gravel; damp --RDR 2--	10	X	4	6 8 13	4.92 B	18				30					
				X	5	9 11 16	5.66 B	20									
				X	6	6 9 13	8.94 B	20									
	579.6	Stiff to hard, gray SILTY LOAM to SILTY CLAY LOAM, trace gravel; damp --RDR 2-- --L _L (%)=22, P _L (%)=15-- --%Gravel=7.8-- --%Sand=20.2-- --%Silt=57.9-- --%Clay=14.1-- --wet gravelly sand lenses--	20	X	7	8 9 9	1.80 B	13				40					
				X	8	5 8 9	4.18 B	14									

GENERAL NOTES

Begin Drilling **12-19-2022** Complete Drilling **12-08-2022**
 Drilling Contractor **Wang Testing Services** Drill Rig **21D120A[78%]**
 Driller **NC&DZ** Logger **B. Miller** Checked by **C. Marin**
 Drilling Method **2.25" ID HSA; boring backfilled upon completion**

WATER LEVEL DATA

While Drilling **24.00 ft**
 At Completion of Drilling **13.00 ft**
 Time After Drilling **24 hours**
 Depth to Water **13.00 ft**

The stratification lines represent the approximate boundary between soil types; the actual transition may be gradual.



wangeng@wangeng.com
 1145 North Main Street
 60148
 Telephone: (630) 953-9928
 Fax: (630) 953-9938

BORING LOG AA-RWB-05

WEI Job No.: 255-39-01

Client **Stantec**
 Project **I-80 Reconstruction, Ridge Road to Houbolt Road**
 Location **Will County, Illinois**

Datum: NAVD 88
 Elevation: 593.42 ft
 North: 1754918.56 ft
 East: 1020841.00 ft
 Station: 16+69.73
 Offset: 21.65 RT

Profile	Elevation (ft)	SOIL AND ROCK DESCRIPTION	Depth (ft)	Sample Type recovery	Sample No.	SPT Values (blw/6 in)	Qu (tsf)	Moisture Content (%)	Profile	Elevation (ft)	SOIL AND ROCK DESCRIPTION	Depth (ft)	Sample Type recovery	Sample No.	SPT Values (blw/6 in)	Qu (tsf)	Moisture Content (%)
	592.8	8-inch thick, brown SILTY CLAY, trace gravel; damp --TOPSOIL--															
		Hard, brown SILTY CLAY, trace gravel; damp --FILL-- --RDR 2--			1	5 7 12	7.54 B	19		570.4			9	7	1.50 P		16
			5		2	4 7 10	6.72 B	21			Strong, light gray, very poor rock quality, DOLOSTONE; closely spaced, highly weathered, horizontal, oblique and vertical joints, with <0.05 inch opening, rough walls, and <0.05 inch thick clay infill. -- Run 1: 23.0 to 33.0 feet-- --Recovery = 97%-- --RQD = 16%--	25					
	587.9	Medium stiff to very stiff, brown and gray SILTY CLAY to SILTY CLAY LOAM, trace gravel; damp to moist --RDR 2--			3	6 8 8	3.00 P	23						10			R 1
			10		4	3 3 5	0.98 B	20									
	582.9	Brown SILT to SILTY LOAM; saturated			5	3 5 7	3.69 B	18		560.4	Boring terminated at 33.00 ft						
	581.9	Very stiff to hard, brown and gray SILTY CLAY, trace gravel; damp --RDR 2--			6	7 8 12	6.15 B	20									
			15		7	4 7 10	5.25 B	20									
	575.4	Stiff to very stiff, gray Gravelly CLAY LOAM; moist --RDR 2-- --dolostone chips--			8	4 7 32	2.38 B	12									
			20														

GENERAL NOTES

Begin Drilling **12-21-2022** Complete Drilling **12-21-2022**
 Drilling Contractor **Wang Testing Services** Drill Rig **21D120A[78%]**
 Driller **NC&DZ** Logger **B. Miller** Checked by **C. Marin**
 Drilling Method **3.25" ID HSA; boring backfilled upon completion**

WATER LEVEL DATA

While Drilling **11.50 ft**
 At Completion of Drilling **11.00 ft**
 Time After Drilling **NA**
 Depth to Water **NA**

The stratification lines represent the approximate boundary between soil types; the actual transition may be gradual.

WANGENGINC 2553901.GPJ WANGENG.GDT 5/7/24



wangeng@wangeng.com
 1145 North Main Street
 60148
 Telephone: (630) 953-9928
 Fax: (630) 953-9938

BORING LOG AA-RWB-06

WEI Job No.: 255-39-01

Client **Stantec**
 Project **I-80 Reconstruction, Ridge Road to Houbolt Road**
 Location **Will County, Illinois**

Datum: NAVD 88
 Elevation: 591.26 ft
 North: 1754856.43 ft
 East: 1020885.08 ft
 Station: 17+43.51
 Offset: 29.38 RT

Profile	Elevation (ft)	SOIL AND ROCK DESCRIPTION	Depth (ft)	Sample Type recovery	Sample No.	SPT Values (blw/6 in)	Qu (tsf)	Moisture Content (%)	Profile	Elevation (ft)	SOIL AND ROCK DESCRIPTION	Depth (ft)	Sample Type recovery	Sample No.	SPT Values (blw/6 in)	Qu (tsf)	Moisture Content (%)
	590.8	6-inch thick, brown SILTY CLAY, trace gravel; damp --TOPSOIL--								570.8	--%Clay=4.1-- --bedrock chips--						
		Very stiff, brown and gray CLAY to SILTY CLAY, trace gravel; damp			1	3 4 6	2.38 B	23		569.8	Very dense, gray GRAVEL; saturated			9	50/4		NP
		--FILL-- --RDR 2-- --L _L (%)=48, P _L (%)=19-- --%Gravel=0.9-- --%Sand=4.5-- --%Silt=55.1-- --%Clay=39.5--			2	4 7 8	3.28 B	24			--Weathered BEDROCK-- --AUGER REFUSAL-- Boring terminated at 21.50 ft						
	585.8	Very stiff to hard, brown and gray SILTY CLAY, trace gravel; damp --RDR 2--			3	13 15 19	10.25 B	19									
					4	6 10 13	4.10 B	19									
					5	6 9 13	4.43 B	21									
		--2-inch thick orange sandy gravel seam; wet--			6	5 13 11	3.36 B	15									
	575.8	Hard, gray Gravelly SILTY LOAM to CLAY LOAM; damp to moist --RDR 2--			7	6 19 35	4.50 P	8									
		--L _L (%)=18, P _L (%)=15-- --%Gravel=41.3-- --%Sand=23.0-- --%Silt=31.6--			8	7 19 23	4.50 P	10									

GENERAL NOTES

WATER LEVEL DATA

Begin Drilling **12-21-2022** Complete Drilling **12-21-2022**
 Drilling Contractor **Wang Testing Services** Drill Rig **21D120A[78%]**
 Driller **NC&DZ** Logger **B. Miller** Checked by **C. Marin**
 Drilling Method **3.25" ID HSA; boring backfilled upon completion**

While Drilling ∇ **14.25 ft**
 At Completion of Drilling ∇ **NA**
 Time After Drilling **NA**
 Depth to Water ∇ **NA**

The stratification lines represent the approximate boundary between soil types; the actual transition may be gradual.



wangeng@wangeng.com
 1145 North Main Street
 60148
 Telephone: (630) 953-9928
 Fax: (630) 953-9938

BORING LOG AA-RWB-07

WEI Job No.: 255-39-01

Client **Stantec**
 Project **I-80 Reconstruction, Ridge Road to Houbolt Road**
 Location **Will County, Illinois**

Datum: NAVD 88
 Elevation: 579.51 ft
 North: 1754564.37 ft
 East: 1021398.40 ft
 Station: 23+21.51
 Offset: 40.81 RT

Profile	Elevation (ft)	SOIL AND ROCK DESCRIPTION	Depth (ft)	Sample Type recovery	Sample No.	SPT Values (blw/6 in)	Qu (tsf)	Moisture Content (%)	Profile	Elevation (ft)	SOIL AND ROCK DESCRIPTION	Depth (ft)	Sample Type recovery	Sample No.	SPT Values (blw/6 in)	Qu (tsf)	Moisture Content (%)
	578.6	11-inch thick, brown SILTY CLAY, trace gravel; damp --TOPSOIL--															
		Hard, brown and gray SILTY CLAY, trace gravel; damp to moist			1	5 6 9	6.07 B	22									
	576.5	--RDR 2-- Hard, brown and gray SILTY LOAM, trace gravel; damp to wet --RDR 2-- --L _L (%)=24, P _L (%)=17-- --%Gravel=4.0-- --%Sand=16.1-- --%Silt=66.7-- --%Clay=13.2--			2	5 9 10	5.33 B	18									
	574.0	Very dense, brown and gray LOAM, little to some gravel; wet --RDR 2-3--			3	14 50/4"	NP	7									
	571.5	--AUGER REFUSAL-- Boring terminated at 8.00 ft															

GENERAL NOTES

WATER LEVEL DATA

Begin Drilling **12-22-2022** Complete Drilling **12-22-2022**
 Drilling Contractor **Wang Testing Services** Drill Rig **21D120A[78%]**
 Driller **NC&DZ** Logger **B. Miller** Checked by **C. Marin**
 Drilling Method **3.25" ID HSA; boring backfilled upon completion**

While Drilling ∇ **6.00 ft**
 At Completion of Drilling ∇ **NA**
 Time After Drilling **120 hours**
 Depth to Water ∇ **3.00 ft**

The stratification lines represent the approximate boundary between soil types; the actual transition may be gradual.



wangeng@wangeng.com
 1145 North Main Street
 60148
 Telephone: (630) 953-9928
 Fax: (630) 953-9938

BORING LOG AA-RWB-08

WEI Job No.: 255-39-01

Client **Stantec**
 Project **I-80 Reconstruction, Ridge Road to Houbolt Road**
 Location **Will County, Illinois**

Datum: NAVD 88
 Elevation: 579.99 ft
 North: 1754651.16 ft
 East: 1021396.65 ft
 Station: 23+03.59
 Offset: 44.142 LT

Profile	Elevation (ft)	SOIL AND ROCK DESCRIPTION	Depth (ft)	Sample Type recovery	Sample No.	SPT Values (blw/6 in)	Qu (tsf)	Moisture Content (%)	Profile	Elevation (ft)	SOIL AND ROCK DESCRIPTION	Depth (ft)	Sample Type recovery	Sample No.	SPT Values (blw/6 in)	Qu (tsf)	Moisture Content (%)
	579.3	8-inch thick, brown SILTY CLAY, trace gravel; damp --TOPSOIL--															
		Hard, brown and gray SILTY CLAY, trace gravel; damp to moist --RDR 2--			1	6 9 14	8.28 B	20									
	576.0	--1-inch orange and brown sand seam; saturated-- Hard, brown and gray SILTY LOAM, trace gravel; wet --RDR 2--			2	8 7 7	4.50 P	16									
	574.5	Very dense, orangish brown and brown Gravelly SILTY LOAM; wet --RDR 2-3-- --Weathered BEDROCK--			3	11 50/3	NP	5									
	572.0	Strong, light brown and gray, very poor rock quality, DOLOSTONE; closely spaced, highly weathered, horizontal and oblique joints, with <0.05 inch opening, slightly rough walls, and <0.2 inch thick clay infill. -- Run 1: 8.0 to 18.0 feet-- --Recovery = 100%-- --RQD = 21%-- --Qu=13,700 psi			4												
	562.0	Boring terminated at 18.00 ft															

WANGENGINC 2553901.GPJ WANGENG.GDT 5/7/24

GENERAL NOTES

Begin Drilling **12-22-2022** Complete Drilling **12-22-2022**
 Drilling Contractor **Wang Testing Services** Drill Rig **21D120A[78%]**
 Driller **NC&DZ** Logger **B. Miller** Checked by **C. Marin**
 Drilling Method **3.25" ID HSA; boring backfilled upon completion**

WATER LEVEL DATA

While Drilling ∇ **4.00 ft**
 At Completion of Drilling \blacktriangledown **3.00 ft**
 Time After Drilling **NA**
 Depth to Water ∇ **NA**

The stratification lines represent the approximate boundary between soil types; the actual transition may be gradual.



wangeng@wangeng.com
 1145 North Main Street
 60148
 Telephone: (630) 953-9928
 Fax: (630) 953-9938

BORING LOG AA-RWB-09

WEI Job No.: 255-39-01

Client **Stantec**
 Project **I-80 Reconstruction, Ridge Road to Houbolt Road**
 Location **Will County, Illinois**

Datum: NAVD 88
 Elevation: 581.02 ft
 North: 1754614.76 ft
 East: 1021605.81 ft
 Station: 25+23.97
 Offset: 21.46 LT

Profile	Elevation (ft)	SOIL AND ROCK DESCRIPTION	Depth (ft)	Sample Type recovery	Sample No.	SPT Values (blw/6 in)	Qu (tsf)	Moisture Content (%)	Profile	Elevation (ft)	SOIL AND ROCK DESCRIPTION	Depth (ft)	Sample Type recovery	Sample No.	SPT Values (blw/6 in)	Qu (tsf)	Moisture Content (%)
	580.2	10-inch thick, brown SILTY CLAY, trace gravel; damp --TOPSOIL--															
		Hard, brown SILTY CLAY, trace gravel; damp --FILL-- --RDR 2--			1	5 5 7	4.92 B	20									
	578.0	Very stiff, brown and gray CLAY to SILTY CLAY, trace gravel; damp --RDR 2-- --L _L (%)=43, P _L (%)=15-- --%Gravel=8.2-- --%Sand=8.9-- --%Silt=47.1-- --%Clay=35.8--			2	3 3 7	3.69 B	26									
	574.7	Very stiff, orange and gray SILTY CLAY LOAM, some gravel; moist to wet --RDR 2--			3	4 5 11	2.50 P	17									
	573.0	Very dense, orange GRAVEL; damp --RDR 2--			4	50/4	NP										
	572.0	--Weathered BEDROCK-- --AUGER REFUSAL-- Boring terminated at 9.00 ft															

GENERAL NOTES

WATER LEVEL DATA

Begin Drilling **12-28-2022** Complete Drilling **12-28-2022**
 Drilling Contractor **Wang Testing Services** Drill Rig **21D120A[78%]**
 Driller **NC&DZ** Logger **B. Miller** Checked by **C. Marin**
 Drilling Method **3.25" ID HSA; boring backfilled upon completion**

While Drilling ∇ **7.00 ft**
 At Completion of Drilling ∇ **NA**
 Time After Drilling **24 hours**
 Depth to Water ∇ **Dry (cave in 3 ft) ft**

The stratification lines represent the approximate boundary between soil types; the actual transition may be gradual.



wangeng@wangeng.com
 1145 North Main Street
 60148
 Telephone: (630) 953-9928
 Fax: (630) 953-9938

BORING LOG AA-RWB-10

WEI Job No.: 255-39-01

Client **Stantec**
 Project **I-80 Reconstruction, Ridge Road to Houbolt Road**
 Location **Will County, Illinois**

Datum: NAVD 88
 Elevation: 580.19 ft
 North: 1754526.15 ft
 East: 1021606.17 ft
 Station: 25+18.90
 Offset: 67 RT

Profile	Elevation (ft)	SOIL AND ROCK DESCRIPTION	Depth (ft)	Sample Type recovery	Sample No.	SPT Values (blw/6 in)	Qu (tsf)	Moisture Content (%)	Profile	Elevation (ft)	SOIL AND ROCK DESCRIPTION	Depth (ft)	Sample Type recovery	Sample No.	SPT Values (blw/6 in)	Qu (tsf)	Moisture Content (%)
	579.4	10-inch thick, brown SILTY CLAY, trace gravel; damp --TOPSOIL--															
		Stiff, brown SILTY CLAY, trace gravel; damp --RDR 2--			1	3 4 6	1.64 B	28									
		--L _L (%)=49, P _L (%)=17-- --%Gravel=2.5-- --%Sand=11.9-- --%Silt=54.1-- --%Clay=31.5--			2	2 3 6	1.56 B	21									
	574.7	(4.5P) Hard, brown SILTY LOAM, trace gravel; damp --RDR 2-3--			3	42 50/3	NP	12									
	573.8	Very dense, orangish brown and gray GRAVEL; wet --some clay-- --Weathered BEDROCK--															
	572.7	Strong, light gray, very poor rock quality, DOLOSTONE; closely spaced, highly weathered, horizontal and vertical joints, with <0.05 inch opening, slightly rough walls, and <0.2 inch thick clay infill. -- Run 1: 7.5 to 17.5 feet-- --Recovery = 100%-- --RQD = 8%--			4												
			10														
			15														
	562.7	Boring terminated at 17.50 ft															
			20														

GENERAL NOTES

WATER LEVEL DATA

Begin Drilling **12-28-2022** Complete Drilling **12-29-2022**
 Drilling Contractor **Wang Testing Services** Drill Rig **21D120A[78%]**
 Driller **NC&DZ** Logger **B. Miller** Checked by **C. Marin**
 Drilling Method **3.25" ID HSA; boring backfilled upon completion**

While Drilling ∇ **6.50 ft**
 At Completion of Drilling ∇ **NA**
 Time After Drilling **24 hours**
 Depth to Water ∇ **7.00 ft**

The stratification lines represent the approximate boundary between soil types; the actual transition may be gradual.

WANGENGINC 2553901.GPJ WANGENG.GDT 5/7/24



wangeng@wangeng.com
 1145 North Main Street
 60148
 Telephone: (630) 953-9928
 Fax: (630) 953-9938

BORING LOG AA-RWB-11

WEI Job No.: 255-39-01

Client **Stantec**
 Project **I-80 Reconstruction, Ridge Road to Houbolt Road**
 Location **Will County, Illinois**

Datum: NAVD 88
 Elevation: 581.10 ft
 North: 1754732.37 ft
 East: 1022033.36 ft
 Station: 29+75.03
 Offset: 9.55 RT

Profile	Elevation (ft)	SOIL AND ROCK DESCRIPTION	Depth (ft)	Sample Type recovery	Sample No.	SPT Values (blw/6 in)	Qu (tsf)	Moisture Content (%)	Profile	Elevation (ft)	SOIL AND ROCK DESCRIPTION	Depth (ft)	Sample Type recovery	Sample No.	SPT Values (blw/6 in)	Qu (tsf)	Moisture Content (%)
	580.84	4-inch thick, brown SILTY CLAY, trace gravel; damp --TOPSOIL--															
		Very stiff, brown and gray SILTY CLAY to SILTY CLAY LOAM, little gravel; damp --RDR 2-- --cobble blockage--		X	1	13 14 12	3.00 P	19									
	576.5	Very dense, orange and light gray GRAVEL, few silt lenses; wet to saturated --RDR 2-3-- --Weathered BEDROCK--		X	2	5 8 21	2.46 B	22									
	574.1	Strong, light gray, very poor rock quality, DOLOSTONE; very closely spaced, highly weathered, horizontal, oblique and vertical joints, with <0.05 inch opening, slightly rough walls, and <0.2 inch thick clay infill. -- Run 1: 7.0 to 17.0 feet-- --Recovery = 98%-- --RQD = 11%-- --Qu=8,138 psi		X	3	50/5"	NP	15									
									C O R E								
					4		Run 1										
	564.1	Boring terminated at 17.00 ft															

GENERAL NOTES

Begin Drilling **12-29-2022** Complete Drilling **12-29-2022**
 Drilling Contractor **Wang Testing Services** Drill Rig **21D120A[78%]**
 Driller **NC&DZ** Logger **B. Miller** Checked by **C. Marin**
 Drilling Method **3.25" ID HSA; boring backfilled upon completion**

WATER LEVEL DATA

While Drilling ∇ **4.50 ft**
 At Completion of Drilling ∇ **5.00 ft**
 Time After Drilling **NA**
 Depth to Water ∇ **NA**

The stratification lines represent the approximate boundary between soil types; the actual transition may be gradual.



wangeng@wangeng.com
 1145 North Main Street
 60148
 Telephone: (630) 953-9928
 Fax: (630) 953-9938

BORING LOG AA-RWB-12

WEI Job No.: 255-39-01

Client **Stantec**
 Project **I-80 Reconstruction, Ridge Road to Houbolt Road**
 Location **Will County, Illinois**

Datum: NAVD 88
 Elevation: 582.12 ft
 North: 1754775.33 ft
 East: 1022089.83 ft
 Station: 30+45.77
 Offset: 6.62 RT

Profile	Elevation (ft)	SOIL AND ROCK DESCRIPTION	Depth (ft)	Sample Type recovery	Sample No.	SPT Values (blw/6 in)	Qu (tsf)	Moisture Content (%)	Profile	Elevation (ft)	SOIL AND ROCK DESCRIPTION	Depth (ft)	Sample Type recovery	Sample No.	SPT Values (blw/6 in)	Qu (tsf)	Moisture Content (%)
	581.75	5-inch thick, brown SILTY CLAY, trace gravel; damp --TOPSOIL-- Very stiff, brown, orange and gray SILTY CLAY, trace to little gravel; damp --RDR 2--			1	4 5 6	3.36 B	18									
					2	6 7 12	3.12 B	20									
	576.6	Medium dense, gray and orange SILTY LOAM to LOAM, little gravel; moist to wet --RDR 2-3-- --L _L (%)=19, P _L (%)=15-- --%Gravel=16.2-- --%Sand=31.0-- --%Silt=45.5-- --%Clay=7.2--			3	5 7 5	NP	12									
	572.8	Very dense, orangish brown Gravelly SILTY LOAM; wet--RDR			4	21	3.00 P	14									
	571.64	--AUGER REFUSAL-- Boring terminated at 10.50 ft															

GENERAL NOTES

WATER LEVEL DATA

Begin Drilling **12-29-2022** Complete Drilling **12-29-2022**
 Drilling Contractor **Wang Testing Services** Drill Rig **21D120A[78%]**
 Driller **NC&DZ** Logger **B. Miller** Checked by **C. Marin**
 Drilling Method **3.25" ID HSA; boring backfilled upon completion**

While Drilling ∇ **6.00 ft**
 At Completion of Drilling ∇ **NA**
 Time After Drilling **24 hours**
 Depth to Water ∇ **6.00 ft**

The stratification lines represent the approximate boundary between soil types; the actual transition may be gradual.



BORING LOG AA-RWB-13

wangeng@wangeng.com
 1145 North Main Street
 60148
 Telephone: (630) 953-9928
 Fax: (630) 953-9938

WEI Job No.: 255-39-01

Datum: NAVD 88
 Elevation: 582.97 ft
 North: 1754837.07 ft
 East: 1022153.73 ft
 Station: 31+33.64
 Offset: 7.22 LT

Client Stantec
 Project I-80 Reconstruction, Ridge Road to Houbolt Road
 Location Will County, Illinois

Profile	Elevation (ft)	SOIL AND ROCK DESCRIPTION	Depth (ft)	Sample Type recovery	Sample No.	SPT Values (blw/6 in)	Qu (tsf)	Moisture Content (%)	Profile	Elevation (ft)	SOIL AND ROCK DESCRIPTION	Depth (ft)	Sample Type recovery	Sample No.	SPT Values (blw/6 in)	Qu (tsf)	Moisture Content (%)
	582.1	10-inch thick, brown SILTY CLAY, trace gravel; damp --TOPSOIL--															
		Hard, brown and gray SILTY CLAY to SILTY CLAY LOAM, trace gravel; damp --RDR 2--			1	5 10 10	5.33 B	18									
		--L _l (%)=37, P _l (%)=15-- --%Gravel=3.8-- --%Sand=12.0-- --%Silt=53.7-- --%Clay=30.5--			2	8 9 12	8.53 B	16									
	577.5	Very stiff, brown and tan SILTY LOAM to SILTY CLAY LOAM, trace gravel; damp to wet --RDR 2-3--			3	5 7 22	2.00 P	13									
	575.0	Very dense, brown Gravelly SILTY LOAM to LOAM; wet to saturated --RDR 4--			4	50/4	1.00 P	20									
	573.0	Strong, light gray, very poor rock quality, DOLOSTONE; very closely spaced, highly weathered, horizontal, oblique and vertical joints, with <0.05 inch opening, slightly rough walls, and <0.2 inch thick clay infill. -- Run 1: 10.0 to 20.0 feet-- --Recovery = 98%-- --RQD = 8%--															
					5												
	563.0		20														

Boring terminated at 20.00 ft

GENERAL NOTES

WATER LEVEL DATA

Begin Drilling 12-30-2022 Complete Drilling 12-30-2022
 Drilling Contractor Wang Testing Services Drill Rig 21D120A[78%]
 Driller NC&DZ Logger B. Miller Checked by C. Marin
 Drilling Method 3.25" ID HSA; boring backfilled upon completion

While Drilling 6.00 ft
 At Completion of Drilling 6.00 ft
 Time After Drilling NA
 Depth to Water NA

The stratification lines represent the approximate boundary between soil types; the actual transition may be gradual.



wangeng@wangeng.com
 1145 North Main Street
 60148
 Telephone: (630) 953-9928
 Fax: (630) 953-9938

BORING LOG DD-RWB-01

WEI Job No.: 255-39-01

Client **Stantec**
 Project **I-80 Reconstruction, Ridge Road to Houbolt Road**
 Location **Will County, Illinois**

Datum: NAVD 88
 Elevation: 600.86 ft
 North: 1755800.18 ft
 East: 1020725.57 ft
 Station: 13+21.36
 Offset: 31.33 LT

Profile	Elevation (ft)	SOIL AND ROCK DESCRIPTION	Depth (ft)	Sample Type recovery	Sample No.	SPT Values (blw/6 in)	Qu (tsf)	Moisture Content (%)	Profile	Elevation (ft)	SOIL AND ROCK DESCRIPTION	Depth (ft)	Sample Type recovery	Sample No.	SPT Values (blw/6 in)	Qu (tsf)	Moisture Content (%)
	600.45	4.5 inch thick brown SILTY CLAY, trace gravel; damp --TOPSOIL--															
		Very stiff to hard, brown and gray SILTY CLAY, trace to little gravel; damp --FILL-- --RDR 2--			1	4 8 9	3.12 B	15		579.4	Stiff, gray SILTY LOAM, trace gravel; wet to saturated --RDR 2--			9	6 10 8	5.90 B	18
					2	3 5 6	2.38 B	29						10	5 5 7	1.72 B	14
					3	6 10 11	5.08 B	18						11	3 5 7	1.23 B	14
	591.8	Brown SILTY CLAY LOAM, some gravel; dry			4	6 22 27	6.48 B	17		572.9	Hard, gray Gravelly SILTY LOAM; moist --RDR 2-3--			12	32 34 20	4.50 P	9
	590.4	Very stiff to hard, brown and gray CLAY to SILTY CLAY, trace gravel; damp --RDR 2--			5	6 7 8	4.51 B	24		568.9	--AUGER REFUSAL--						
					6	4 4 8	3.28 B	27			Strong, light gray, very poor rock quality, DOLOSTONE; closely spaced, highly weathered, horizontal and oblique joints, with <0.2 inch opening, rough walls and <0.2 thick -- Run 1: 32.0 to 37.0 feet-- --Recovery = 100%-- --RQD = 32%--						
					7	6 10 12	5.25 B	21			-- Run 2: 37.0 to 42.0 feet-- --Recovery = 100%-- --RQD = 43%--						
					8	7 10 13	5.82 B	20									

GENERAL NOTES

WATER LEVEL DATA

Begin Drilling **01-04-2023** Complete Drilling **01-04-2023**
 Drilling Contractor **Wang Testing Services** Drill Rig **21GeoA[96%]**
 Driller **AG&EH** Logger **B. Miller** Checked by **C. Marin**
 Drilling Method **3.25" ID HSA; boring backfilled upon completion**

While Drilling ∇ **21.50 ft**
 At Completion of Drilling ∇ **21.00 ft**
 Time After Drilling **NA**
 Depth to Water ∇ **NA**

The stratification lines represent the approximate boundary between soil types; the actual transition may be gradual.

WANGENGINC 2553901.GPJ WANGENG.GDT 5/7/24



wangeng@wangeng.com
 1145 North Main Street
 60148
 Telephone: (630) 953-9928
 Fax: (630) 953-9938

BORING LOG DD-RWB-01

WEI Job No.: 255-39-01

Client **Stantec**
 Project **I-80 Reconstruction, Ridge Road to Houbolt Road**
 Location **Will County, Illinois**

Datum: NAVD 88
 Elevation: 600.86 ft
 North: 1755800.18 ft
 East: 1020725.57 ft
 Station: 13+21.36
 Offset: 31.33 LT

Profile	Elevation (ft)	SOIL AND ROCK DESCRIPTION	Depth (ft)	Sample Type recovery	Sample No.	SPT Values (blw/6 in)	Qu (tsf)	Moisture Content (%)	Profile	Elevation (ft)	SOIL AND ROCK DESCRIPTION	Depth (ft)	Sample Type recovery	Sample No.	SPT Values (blw/6 in)	Qu (tsf)	Moisture Content (%)
	558.9	Boring terminated at 42.00 ft	45														
			50														
			55														
			60														

GENERAL NOTES

WATER LEVEL DATA

Begin Drilling **01-04-2023** Complete Drilling **01-04-2023**
 Drilling Contractor **Wang Testing Services** Drill Rig **21GeoA[96%]**
 Driller **AG&EH** Logger **B. Miller** Checked by **C. Marin**
 Drilling Method **3.25" ID HSA; boring backfilled upon completion**

While Drilling ∇ **21.50 ft**
 At Completion of Drilling ∇ **21.00 ft**
 Time After Drilling **NA**
 Depth to Water ∇ **NA**

The stratification lines represent the approximate boundary between soil types; the actual transition may be gradual.



wangeng@wangeng.com
 1145 North Main Street
 60148
 Telephone: (630) 953-9928
 Fax: (630) 953-9938

BORING LOG DD-RWB-02

WEI Job No.: 255-39-01

Client **Stantec**
 Project **I-80 Reconstruction, Ridge Road to Houbolt Road**
 Location **Will County, Illinois**

Datum: NAVD 88
 Elevation: 598.19 ft
 North: 1755869.55 ft
 East: 1020733.17 ft
 Station: 13+84.24
 Offset: 29.8 LT

Profile	Elevation (ft)	SOIL AND ROCK DESCRIPTION	Depth (ft)	Sample Type recovery	Sample No.	SPT Values (blw/6 in)	Qu (tsf)	Moisture Content (%)	Profile	Elevation (ft)	SOIL AND ROCK DESCRIPTION	Depth (ft)	Sample Type recovery	Sample No.	SPT Values (blw/6 in)	Qu (tsf)	Moisture Content (%)
	597.95	inch thick brown SILTY CLAY, trace gravel; damp --TOPSOIL-- Very stiff, brown CLAY to SILTY CLAY, trace gravel; damp --FILL-- --RDR 2--			1	4 5 6	3.94 B	22									
					2	3 3 6	2.95 B	17									
	592.7	Medium dense, brown and black SANDY GRAVEL; damp --FILL-- --RDR 2--			3	8 15 10	NP	9									
					4	9 5 7	NP	5									
	587.7	Very stiff to hard, brown SILTY CLAY, trace gravel; damp --RDR 2--			5	3 5 9	2.95 B	25									
					6	7 10 12	9.51 B	19									
					7	6 10 13	7.71 B	22									
					8	9 12 15	7.30 B	21									
	578.2																

Boring terminated at 20.00 ft

GENERAL NOTES

Begin Drilling **01-04-2023** Complete Drilling **01-04-2023**
 Drilling Contractor **Wang Testing Services** Drill Rig **21GeoA[96%]**
 Driller **AG&EH** Logger **B. Miller** Checked by **C. Marin**
 Drilling Method **3.25" ID HSA; boring backfilled upon completion**

WATER LEVEL DATA

While Drilling ∇ **DRY**
 At Completion of Drilling ∇ **DRY**
 Time After Drilling **NA**
 Depth to Water ∇ **NA**

The stratification lines represent the approximate boundary between soil types; the actual transition may be gradual.

WANGENGINC 2553901.GPJ WANGENG.GDT 5/7/24



wangeng@wangeng.com
 1145 North Main Street
 60148
 Telephone: (630) 953-9928
 Fax: (630) 953-9938

BORING LOG FR-BSB-02

WEI Job No.: 255-39-01

Client **Stantec**
 Project **I-80 Reconstruction, Ridge Road to Houbolt Road**
 Location **Will County, Illinois**

Datum: NAVD 88
 Elevation: 603.59 ft
 North: 1755381.64 ft
 East: 1019725.33 ft
 Station: 44+58.9
 Offset: 37.9 RT

Profile	Elevation (ft)	SOIL AND ROCK DESCRIPTION	Depth (ft)	Sample Type recovery	Sample No.	SPT Values (blw/6 in)	Qu (tsf)	Moisture Content (%)	Profile	Elevation (ft)	SOIL AND ROCK DESCRIPTION	Depth (ft)	Sample Type recovery	Sample No.	SPT Values (blw/6 in)	Qu (tsf)	Moisture Content (%)
	602.6	12-inch thick ASPHALT --PAVEMENT--								583.1	Hard, brown SILTY CLAY, trace gravel; damp						
		Stiff to hard, brown and gray SILTY CLAY LOAM to CLAY LOAM, trace to little gravel; dry to damp			1	7 4 4	5.49 B	5			--RDR 2--			9	5 7 8	9.84 B	20
		--FILL-- --RDR 2--			2	3 3 3	1.97 B	20			--L _L (%)=40, P _L (%)=18-- --%Gravel=3.1-- --%Sand=6.9-- --%Silt=49.7-- --%Clay=40.3--25			10	4 6 7	5.66 B	20
			5		3	2 3 3	4.00 P	17			Medium dense, brown and tan SILTY LOAM, trace gravel; wet			11	4 7 8	NP	25
					4	2 2 3	2.95 B	16			Medium dense, brown and gray Gravelly SAND; wet			12	3 8 12	NP	22
			10		5	4 4 5	3.44 B	11			Hard, gray SILTY LOAM, some gravel; wet			13	23 16 19	NP	9
					6	3 3 8	2.30 B	15						14			
			15		7	4 4 4	4.43 B	13			Very dense, gray SANDY GRAVEL; saturated			14			
	586.7	Very stiff (2.00P), black SILTY CLAY LOAM								566.8	--Weathered BEDROCK-- --RDR 2-3--						
	585.6	--Buried TOPSOIL--								564.6	Strong, light gray, poor to fair quality, DOLOSTONE; closely				50/1" C O		
	584.6	Very stiff (2.30B), brown SILTY CLAY, trace gravel; damp			8	3 3 2	NP	19									
		Loose, brown SILTY LOAM, trace gravel; saturated	20														

GENERAL NOTES

WATER LEVEL DATA

Begin Drilling **01-15-2023** Complete Drilling **01-15-2023**
 Drilling Contractor **Wang Testing Services** Drill Rig **17B57T [91%]**
 Driller **KG&TC** Logger **B. Miller** Checked by **C. Marin**
 Drilling Method **3.25" ID HSA; boring backfilled upon completion**

While Drilling **19.50 ft**
 At Completion of Drilling **20.00 ft**
 Time After Drilling **NA**
 Depth to Water **NA**

The stratification lines represent the approximate boundary between soil types; the actual transition may be gradual.

WANGENGINC 2553901.GPJ WANGENG.GDT 5/7/24



wangeng@wangeng.com
 1145 North Main Street
 60148
 Telephone: (630) 953-9928
 Fax: (630) 953-9938

BORING LOG FR-BSB-02

WEI Job No.: 255-39-01

Client **Stantec**
 Project **I-80 Reconstruction, Ridge Road to Houbolt Road**
 Location **Will County, Illinois**

Datum: NAVD 88
 Elevation: 603.59 ft
 North: 1755381.64 ft
 East: 1019725.33 ft
 Station: 44+58.9
 Offset: 37.9 RT

Profile	Elevation (ft)	SOIL AND ROCK DESCRIPTION	Depth (ft)	Sample Type recovery	Sample No.	SPT Values (blw/6 in)	Qu (tsf)	Moisture Content (%)	Profile	Elevation (ft)	SOIL AND ROCK DESCRIPTION	Depth (ft)	Sample Type recovery	Sample No.	SPT Values (blw/6 in)	Qu (tsf)	Moisture Content (%)
		spaced, highly weathered, horizontal, oblique, and vertical joints, with 0.05 - 0.2 inch opening, slightly rough walls, and <0.2 inch thick clay infill. --RUN 1: 39.0 to 49.0 feet-- --Recovery: 86%-- --RQD: 33%-- --Qu=8,205 psi	39		15												
			45														
			49														
		--RUN 2: 49.0 to 54.0 feet-- --Recovery: 93%-- --RQD: 64%--	50		16												
	549.6	Boring terminated at 54.00 ft	55														
			60														

GENERAL NOTES

Begin Drilling **01-15-2023** Complete Drilling **01-15-2023**
 Drilling Contractor **Wang Testing Services** Drill Rig **17B57T [91%]**
 Driller **KG&TC** Logger **B. Miller** Checked by **C. Marin**
 Drilling Method **3.25" ID HSA; boring backfilled upon completion**

WATER LEVEL DATA

While Drilling ∇ **19.50 ft**
 At Completion of Drilling \blacktriangledown **20.00 ft**
 Time After Drilling **NA**
 Depth to Water ∇ **NA**

The stratification lines represent the approximate boundary between soil types; the actual transition may be gradual.



wangeng@wangeng.com
 1145 North Main Street
 60148
 Telephone: (630) 953-9928
 Fax: (630) 953-9938

BORING LOG FR-BSB-03

WEI Job No.: 255-39-01

Client **Stantec**
 Project **I-80 Reconstruction, Ridge Road to Houbolt Road**
 Location **Will County, Illinois**

Datum: NAVD 88
 Elevation: 604.73 ft
 North: 1755391.52 ft
 East: 1019804.59 ft
 Station: 44+56.98
 Offset: 41.99 LT

Profile	Elevation (ft)	SOIL AND ROCK DESCRIPTION	Depth (ft)	Sample Type recovery	Sample No.	SPT Values (blw/6 in)	Qu (tsf)	Moisture Content (%)	Profile	Elevation (ft)	SOIL AND ROCK DESCRIPTION	Depth (ft)	Sample Type recovery	Sample No.	SPT Values (blw/6 in)	Qu (tsf)	Moisture Content (%)
	603.6	14-inch thick ASPHALT --PAVEMENT--								584.2	moist --Buried TOPSOIL--						
	601.5	Medium dense, brown LOAM, little gravel; dry --FILL--	1		1	14 7 4	NP	5			--1-inch thick sand seam; saturated--	9		3 6 6	2.87 B	23	
		Very stiff to hard, brown and gray SILTY CLAY to SILTY CLAY LOAM, trace gravel; damp to moist --FILL-- --RDR 2--	5		2	5 4 6	4.35 B	19				25		5 6 9	4.51 B	20	
					3	4 5 5	3.44 B	19						6 10 13	6.72 B	19	
			10		4	8 4 4	6.31 B	17			--L _L (%)=39, P _L (%)=17-- --%Gravel=0.8-- --%Sand=4.8-- --%Silt=50.8-- --%Clay=43.5-- --A-6 (21)--	30		6 10 12	4.02 B	21	
	594.2	Very stiff to hard, brown and gray CLAY to SILTY CLAY, trace gravel; damp --FILL-- --RDR 2-- --L _L (%)=36, P _L (%)=15-- --%Gravel=3.7-- --%Sand=10.8-- --%Silt=45.8-- --%Clay=39.6-- --A-6 (17)--			5	3 4 6	3.28 B	23		573.0	Hard, gray SILTY CLAY LOAM to SILTY LOAM, trace gravel; damp --RDR 2--						
					6	4 6 7	4.26 B	22				35		9 10 13	5.49 B	12	
	589.2	Hard, brown and gray SILTY CLAY, trace gravel; damp --FILL-- --RDR 2--			7	4 6 6	4.92 B	18		568.0	Very dense, gray SANDY GRAVEL; moist to wet --Weathered BEDROCK-- --RDR 4--						
					8	4 8 5	2.71 B	29		565.7	Strong, dark gray, fair rock mass quality, Shaly DOLOSTONE,	40			50/1" C O	NP	6

GENERAL NOTES

WATER LEVEL DATA

Begin Drilling **10-24-2022** Complete Drilling **10-24-2022**
 Drilling Contractor **Wang Testing Services** Drill Rig **20D50T [80%]**
 Driller **RH&TC** Logger **D. Morken** Checked by **C. Marin**
 Drilling Method **3.25" ID HSA; boring backfilled upon completion**

While Drilling **21.00 ft**
 At Completion of Drilling **NA**
 Time After Drilling **NA**
 Depth to Water **NA**

The stratification lines represent the approximate boundary between soil types; the actual transition may be gradual.

WANGENGINC 2553901.GPJ WANGENG.GDT 5/7/24



wangeng@wangeng.com
 1145 North Main Street
 60148
 Telephone: (630) 953-9928
 Fax: (630) 953-9938

BORING LOG FR-BSB-03

WEI Job No.: 255-39-01

Client **Stantec**
 Project **I-80 Reconstruction, Ridge Road to Houbolt Road**
 Location **Will County, Illinois**

Datum: NAVD 88
 Elevation: 604.73 ft
 North: 1755391.52 ft
 East: 1019804.59 ft
 Station: 44+56.98
 Offset: 41.99 LT

Profile	Elevation (ft)	SOIL AND ROCK DESCRIPTION	Depth (ft)	Sample Type recovery	Sample No.	SPT Values (blw/6 in)	Qu (tsf)	Moisture Content (%)	Profile	Elevation (ft)	SOIL AND ROCK DESCRIPTION	Depth (ft)	Sample Type recovery	Sample No.	SPT Values (blw/6 in)	Qu (tsf)	Moisture Content (%)
		horizontally bedded; closely spaced, fresh, horizontal joints, with 0-0.2 inch opening, rough walls, and 0 - 0.2 inch thick clay and shale infill. --RUN 1: 39.0 to 44.0 feet-- --Recovery: 98%-- --RQD: 67%-- --Q _v @39.5 feet=9,126 psi-- --RUN 2: 44.0 to 54.0 feet-- --Recovery: 93%-- --RQD: 67%--	15														
			45														
			50														
	550.7	Boring terminated at 54.00 ft	55														
			60														

GENERAL NOTES

Begin Drilling **10-24-2022** Complete Drilling **10-24-2022**
 Drilling Contractor **Wang Testing Services** Drill Rig **20D50T [80%]**
 Driller **RH&TC** Logger **D. Morken** Checked by **C. Marin**
 Drilling Method **3.25" ID HSA; boring backfilled upon completion**

WATER LEVEL DATA

While Drilling ∇ **21.00 ft**
 At Completion of Drilling \blacktriangledown **NA**
 Time After Drilling **NA**
 Depth to Water ∇ **NA**

The stratification lines represent the approximate boundary between soil types; the actual transition may be gradual.

WANGENGINC 2553901.GPJ WANGENG.GDT 5/7/24



wangeng@wangeng.com
 1145 North Main Street
 60148
 Telephone: (630) 953-9928
 Fax: (630) 953-9938

BORING LOG FR-BSB-08

WEI Job No.: 255-39-01

Client **Stantec**
 Project **I-80 Reconstruction, Ridge Road to Houbolt Road**
 Location **Will County, Illinois**

Datum: NAVD 88
 Elevation: 604.05 ft
 North: 1755237.20 ft
 East: 1019711.46 ft
 Station: 46+01.15
 Offset: 66.18 RT

Profile	Elevation (ft)	SOIL AND ROCK DESCRIPTION	Depth (ft)	Sample Type recovery	Sample No.	SPT Values (blw/6 in)	Qu (tsf)	Moisture Content (%)	Profile	Elevation (ft)	SOIL AND ROCK DESCRIPTION	Depth (ft)	Sample Type recovery	Sample No.	SPT Values (blw/6 in)	Qu (tsf)	Moisture Content (%)
	602.8	15-inch thick CONCRETE --PAVEMENT--								583.6	Hard, brown to gray SILTY CLAY, trace gravel; damp to moist						
	600.8	Medium dense, brown SANDY GRAVEL; dry --FILL--			1	8 9 6	NP	3			--RDR 2--			9	8 12 15	7.63 B	19
	600.8	Medium stiff to very stiff, brown and gray SILTY CLAY to SILTY CLAY LOAM, trace gravel; damp to moist --FILL-- --RDR 2--			2	3 4 7	4.50 P	19				25		10	7 12 15	10.25 B	18
					3	4 4 4	1.07 B	18						11	6 10 13	6.97 B	20
					4	3 3 6	2.05 B	21		575.4	Medium dense, brown to yellowish brown, fine to medium SAND, trace gravel; wet to saturated --RDR 2--			12	5 6 9	NP	19
		--L _L (%)=32, P _L (%)=16-- --%Gravel=3.4-- --%Sand=13.6-- --%Silt=48.5-- --%Clay=34.4-- --A-6 (12)--			5	2 2 3	0.82 B	23		572.3	Hard, gray SILTY CLAY LOAM to CLAY LOAM, trace gravel, few silt seams; moist --RDR 2--			13	7 15 37	4.50 P	25
					6	3 2 3	2.46 B	18		569.4	Very dense, gray Gravelly LOAM; 35 wet --heaving sand in augers--			14			
	588.6	Stiff, black and greenish gray SILTY CLAY, trace gravel; damp to moist --Buried TOPSOIL--			7	6 7 7	1.31 B	16		566.1	Very weak, dark gray, very poor quality, weathered Shaly DOLOSTONE; very closely spaced, slightly weathered,			14			
	586.1	Very stiff, black and greenish gray CLAY to SILTY CLAY, trace gravel; damp to moist --RDR 2--			8	4 6 8	2.71 B	26		564.6				14			

WANGENGINC 2553901.GPJ WANGENG.GDT 5/7/24

GENERAL NOTES

WATER LEVEL DATA

Begin Drilling **10-26-2022** Complete Drilling **10-26-2022**
 Drilling Contractor **Wang Testing Services** Drill Rig **20D50T [80%]**
 Driller **RH&TC** Logger **D. Morken** Checked by **C. Marin**
 Drilling Method **3.25" ID HSA; boring backfilled upon completion**

While Drilling ∇ **30.00 ft**
 At Completion of Drilling ∇ **NA**
 Time After Drilling **NA**
 Depth to Water ∇ **NA**

The stratification lines represent the approximate boundary between soil types; the actual transition may be gradual.



wangeng@wangeng.com
 1145 North Main Street
 60148
 Telephone: (630) 953-9928
 Fax: (630) 953-9938

BORING LOG FR-BSB-08

WEI Job No.: 255-39-01

Client **Stantec**
 Project **I-80 Reconstruction, Ridge Road to Houbolt Road**
 Location **Will County, Illinois**

Datum: NAVD 88
 Elevation: 604.05 ft
 North: 1755237.20 ft
 East: 1019711.46 ft
 Station: 46+01.15
 Offset: 66.18 RT

Profile	Elevation (ft)	SOIL AND ROCK DESCRIPTION	Depth (ft)	Sample Type recovery	Sample No.	SPT Values (blw/6 in)	Qu (tsf)	Moisture Content (%)	Profile	Elevation (ft)	SOIL AND ROCK DESCRIPTION	Depth (ft)	Sample Type recovery	Sample No.	SPT Values (blw/6 in)	Qu (tsf)	Moisture Content (%)
		horizontal joints, with <0.05 inch opening, rough walls, and <0.2 inch thick clay infill. --RUN 1: 38.0 to 39.5 feet-- --Recovery: 94%-- --RQD: 0%--			15												
		Strong, gray, fair rock mass quality, horizontally bedded Shaly DOLOSTONE; closely spaced, fresh to slightly weathered, horizontal and oblique joints, with 0-0.2 inch opening, rough walls, and <0.2 inch thick clay infill. --RUN 2: 39.5 to 44.5 feet-- --Recovery: 95%-- --RQD: 57%-- -- $Q_u@=12,298$ psi-- --RUN 3: 44.5 to 54.5 feet-- --Recovery: 98%-- --RQD: 61%--	45		16												
	549.6	Boring terminated at 54.50 ft	55														
			60														

GENERAL NOTES

WATER LEVEL DATA

Begin Drilling **10-26-2022** Complete Drilling **10-26-2022**
 Drilling Contractor **Wang Testing Services** Drill Rig **20D50T [80%]**
 Driller **RH&TC** Logger **D. Morken** Checked by **C. Marin**
 Drilling Method **3.25" ID HSA; boring backfilled upon completion**

While Drilling ∇ **30.00 ft**
 At Completion of Drilling \blacktriangledown **NA**
 Time After Drilling **NA**
 Depth to Water ∇ **NA**

The stratification lines represent the approximate boundary between soil types; the actual transition may be gradual.



wangeng@wangeng.com
 1145 North Main Street
 60148
 Telephone: (630) 953-9928
 Fax: (630) 953-9938

BORING LOG FR-BSB-09

WEI Job No.: 255-39-01

Client **Stantec**
 Project **I-80 Reconstruction, Ridge Road to Houbolt Road**
 Location **Will County, Illinois**

Datum: NAVD 88
 Elevation: 605.32 ft
 North: 1755244.21 ft
 East: 1019819.71 ft
 Station: 46+05.10
 Offset: 42.2 LT

Profile	Elevation (ft)	SOIL AND ROCK DESCRIPTION	Depth (ft)	Sample Type recovery	Sample No.	SPT Values (blw/6 in)	Qu (tsf)	Moisture Content (%)	Profile	Elevation (ft)	SOIL AND ROCK DESCRIPTION	Depth (ft)	Sample Type recovery	Sample No.	SPT Values (blw/6 in)	Qu (tsf)	Moisture Content (%)
		27-inch thick CONCRETE --PAVEMENT--								584.8	Stiff to hard, brown to gray SILTY CLAY, trace gravel; damp --RDR 2--						
	603.1													9	3 2 3	1.72 B	28
	601.8	Medium dense, gray CLAY LOAM, little gravel; damp --FILL--			1	13 7	NP	7									
		Loose, brown and gray SANDY GRAVEL; damp --FILL-- --RDR 2--			2	3 4 3 3	NP	12						10	4 4 3	3.12 B	22
	599.8																
		Stiff, black and brown Gravelly CLAY LOAM; damp --FILL-- --RDR 2-- --L _L (%)=39, P _L (%)=16-- --%Gravel=15.2-- --%Sand=20.3-- --%Silt=42.1-- --%Clay=22.4--			3	4 3 4	1.50 P	17						11	5 7 8	6.56 B	22
	597.3																
		Stiff to hard, brown SILTY CLAY LOAM to SILTY CLAY, trace to little gravel; damp --FILL-- --RDR 2--			4	3 2 4	1.56 B	19						12	5 5 6	6.07 B	24
										573.6	Medium dense, gray and tan Gravelly SAND; wet --RDR 2--						
										571.0	Hard, gray SILTY CLAY, trace gravel; moist --RDR 2--						
	587.3	Very stiff, black SILTY CLAY LOAM, trace gravel; damp --Buried TOPSOIL-- --RDR 2--			8	3 3 3	3.61 B	33		567.3	Strong, light gray, poor quality, DOLOSTONE; closely spaced, highly weathered, horizontal and oblique joints, with 0-0.2 inch						

GENERAL NOTES

WATER LEVEL DATA

Begin Drilling **01-22-2023** Complete Drilling **01-22-2023**
 Drilling Contractor **Wang Testing Services** Drill Rig **17B57T [91%]**
 Driller **KG&TC** Logger **B. Miller** Checked by **C. Marin**
 Drilling Method **3.25" ID HSA; boring backfilled upon completion**

While Drilling **14.00 ft**
 At Completion of Drilling **16.00 ft**
 Time After Drilling **NA**
 Depth to Water **NA**

The stratification lines represent the approximate boundary between soil types; the actual transition may be gradual.

WANGENGINC_2553901.GPJ WANGENG.GDT 5/7/24



wangeng@wangeng.com
 1145 North Main Street
 60148
 Telephone: (630) 953-9928
 Fax: (630) 953-9938

BORING LOG FR-BSB-09

WEI Job No.: 255-39-01

Client **Stantec**
 Project **I-80 Reconstruction, Ridge Road to Houbolt Road**
 Location **Will County, Illinois**

Datum: NAVD 88
 Elevation: 605.32 ft
 North: 1755244.21 ft
 East: 1019819.71 ft
 Station: 46+05.10
 Offset: 42.2 LT

Profile	Elevation (ft)	SOIL AND ROCK DESCRIPTION	Depth (ft)	Sample Type recovery	Sample No.	SPT Values (blw/6 in)	Qu (tsf)	Moisture Content (%)	Profile	Elevation (ft)	SOIL AND ROCK DESCRIPTION	Depth (ft)	Sample Type recovery	Sample No.	SPT Values (blw/6 in)	Qu (tsf)	Moisture Content (%)
		opening, slightly rough walls, and 0 - 0.2 inch thick clay infill. --RUN 1: 38.0 to 48.0 feet-- --Recovery: 94%-- --RQD: 37%--	14														
	557.3	Boring terminated at 48.00 ft	45														
			50														
			55														
			60														

GENERAL NOTES

Begin Drilling **01-22-2023** Complete Drilling **01-22-2023**
 Drilling Contractor **Wang Testing Services** Drill Rig **17B57T [91%]**
 Driller **KG&TC** Logger **B. Miller** Checked by **C. Marin**
 Drilling Method **3.25" ID HSA; boring backfilled upon completion**

WATER LEVEL DATA

While Drilling ∇ **14.00 ft**
 At Completion of Drilling \blacktriangledown **16.00 ft**
 Time After Drilling **NA**
 Depth to Water ∇ **NA**

The stratification lines represent the approximate boundary between soil types; the actual transition may be gradual.



wangeng@wangeng.com
 1145 North Main Street
 60148
 Telephone: (630) 953-9928
 Fax: (630) 953-9938

BORING LOG OSB-04

WEI Job No.: 255-39-01

Client **Stantec**
 Project **I-80 Reconstruction, Ridge Road to Houbolt Road**
 Location **Will County, Illinois**

Datum: NAVD 88
 Elevation: 601.80 ft
 North: 1755232.08 ft
 East: 1019559.05 ft
 Station: 337+44.8
 Offset: 70.8 RT

Profile	Elevation (ft)	SOIL AND ROCK DESCRIPTION	Depth (ft)	Sample Type recovery	Sample No.	SPT Values (blw/6 in)	Qu (tsf)	Moisture Content (%)	Profile	Elevation (ft)	SOIL AND ROCK DESCRIPTION	Depth (ft)	Sample Type recovery	Sample No.	SPT Values (blw/6 in)	Qu (tsf)	Moisture Content (%)
		25-inch thick ASPHALT --PAVEMENT--								581.3	Brown SILT; damp						
	599.7	Very stiff to hard, brown CLAY LOAM to SILTY CLAY LOAM, trace gravel; damp --FILL-- --RDR 2-3--	5		1	4 4 3	NA	7		580.7	Hard, brown and gray CLAY to SILTY CLAY, trace gravel; damp --RDR 3--	9		8 14 18	9.18 B	20	
					2	4 5 7	5.17 B	20		578.8	Hard, gray SILTY CLAY LOAM, trace gravel; moist --RDR 3--	25		5 3 6	1.15 B	14	
					3	3 7 8	3.28 B	17						4 5 6	1.23 B	14	
	593.1	Medium dense, brown GRAVEL, some silty clay loam; damp --FILL-- --RDR 3--	10		4	6 6 8	NP	10						8 12 16	4.50 P	15	
	591.3	Hard, brown CLAY LOAM to SILTY CLAY LOAM, trace gravel; damp --FILL-- --RDR 2-3--	15		5	4 11 13	4.50 P	17		570.1	Very dense, gray SILT to SILTY LOAM, trace gravel; wet --RDR 2--	35		11 50/3"	NP	20	
					6	5 8 10	4.35 B	14			--possible cobbles--						
	585.3	Very stiff to hard, brown SILTY CLAY, trace gravel; damp --RDR 2--	20		7	4 5 9	2.46 B	24		565.8	Strong, light gray, fair quality, DOLOSTONE; closely spaced, moderately weathered, horizontal, oblique, and vertical joints, with <0.05 inch opening, slightly rough walls, and >0.2 inch thick clay infill. --RUN 1: 36.0 to 46.0 feet-- --Recovery: 99%--	40					
					8	9 15 26	10.17 B	18									

GENERAL NOTES

WATER LEVEL DATA

Begin Drilling **11-09-2022** Complete Drilling **11-09-2022**
 Drilling Contractor **Wang Testing Services** Drill Rig **20D50T [80%]**
 Driller **RH&TC** Logger **N. Karahalios** Checked by **C. Marin**
 Drilling Method **3.25" ID HSA; boring backfilled upon completion**

While Drilling **DRY**
 At Completion of Drilling **mud in the borehole**
 Time After Drilling **NA**
 Depth to Water **NA**

The stratification lines represent the approximate boundary between soil types; the actual transition may be gradual.

WANGENGINC 2553901.GPJ WANGENG.GDT 5/7/24



wangeng@wangeng.com
 1145 North Main Street
 60148
 Telephone: (630) 953-9928
 Fax: (630) 953-9938

BORING LOG OSB-04

WEI Job No.: 255-39-01

Client **Stantec**
 Project **I-80 Reconstruction, Ridge Road to Houbolt Road**
 Location **Will County, Illinois**

Datum: NAVD 88
 Elevation: 601.80 ft
 North: 1755232.08 ft
 East: 1019559.05 ft
 Station: 337+44.8
 Offset: 70.8 RT

Profile	Elevation (ft)	SOIL AND ROCK DESCRIPTION	Depth (ft)	Sample Type recovery	Sample No.	SPT Values (blw/6 in)	Qu (tsf)	Moisture Content (%)	Profile	Elevation (ft)	SOIL AND ROCK DESCRIPTION	Depth (ft)	Sample Type recovery	Sample No.	SPT Values (blw/6 in)	Qu (tsf)	Moisture Content (%)
	555.8	--RQD: 53%--	45		14												
		Boring terminated at 46.00 ft	50														
			55														
			60														

GENERAL NOTES

WATER LEVEL DATA

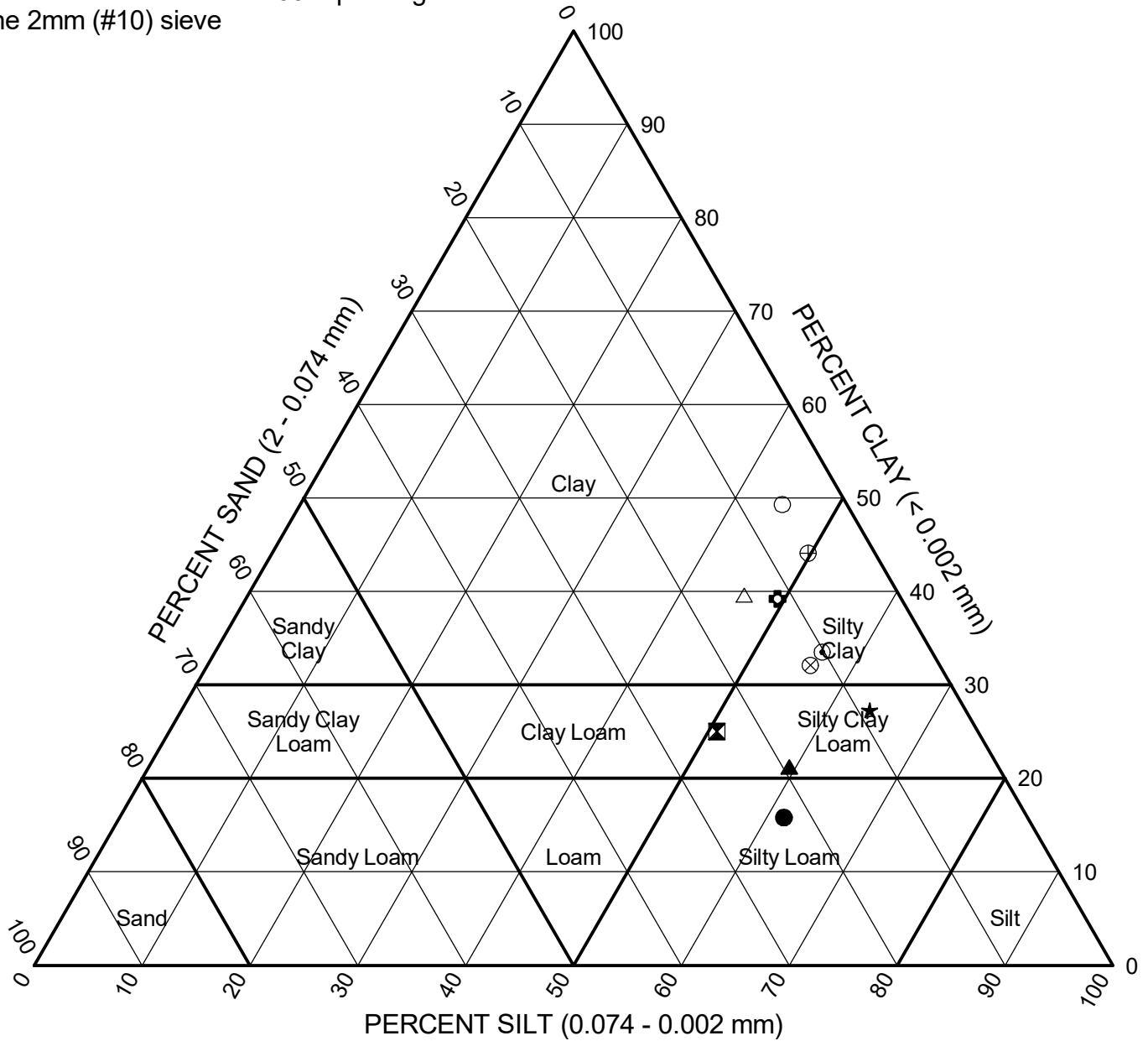
Begin Drilling **11-09-2022** Complete Drilling **11-09-2022**
 Drilling Contractor **Wang Testing Services** Drill Rig **20D50T [80%]**
 Driller **RH&TC** Logger **N. Karahalios** Checked by **C. Marin**
 Drilling Method **3.25" ID HSA; boring backfilled upon completion**

While Drilling ∇ **DRY**
 At Completion of Drilling ∇ **mud in the borehole**
 Time After Drilling **NA**
 Depth to Water ∇ **NA**

The stratification lines represent the approximate boundary between soil types; the actual transition may be gradual.


APPENDIX B

Fractions normalized to 100% passing the 2mm (#10) sieve



Sample	Depth (ft)	Sand (%)	Silt (%)	Clay (%)	Classification		
					IL DOT	AASHTO	ASTM
● 5AA-SGB-05#2	2.0	22.6	61.6	15.8	Silty Loam	A-6 (8)	CL
⊠ 5AA-SGB-06#2	2.0	24.0	50.8	25.0	Gravelly Silty Clay Loam	A-7-6 (12)	CL
▲ 5BB-SGB-02#3	4.0	19.4	59.4	21.2	Silty Clay Loam	A-6 (7)	CL
★ 55B-SGB-02#2	3.0	8.9	63.8	27.3	Silty Clay Loam	A-6 (19)	CL
⊙ 55B-SGB-06#3	4.0	10.1	56.3	33.5	Silty Clay	A-6 (15)	CL
⊕ 55CC-SGB-01#2	2.0	11.4	49.3	39.2	Clay	A-6 (20)	CL
⊕ 55DD-SGB-02#3	5.0	6.1	44.7	49.3	Clay	A-7-6 (25)	CL
△ 55D-SGB-02#2	2.0	14.5	46.0	39.6	Clay	A-7-6 (23)	CL
⊗ 55D-SGB-05#2	2.0	12.0	55.9	32.1	Silty Clay	A-6 (13)	CL
⊕ 55EFR-SGB-02#2	3.0	6.2	49.7	44.1	Clay	A-7-6 (37)	CH

WEI IDH_2553901.GPJ.WANGENG.GDT_10/30/23

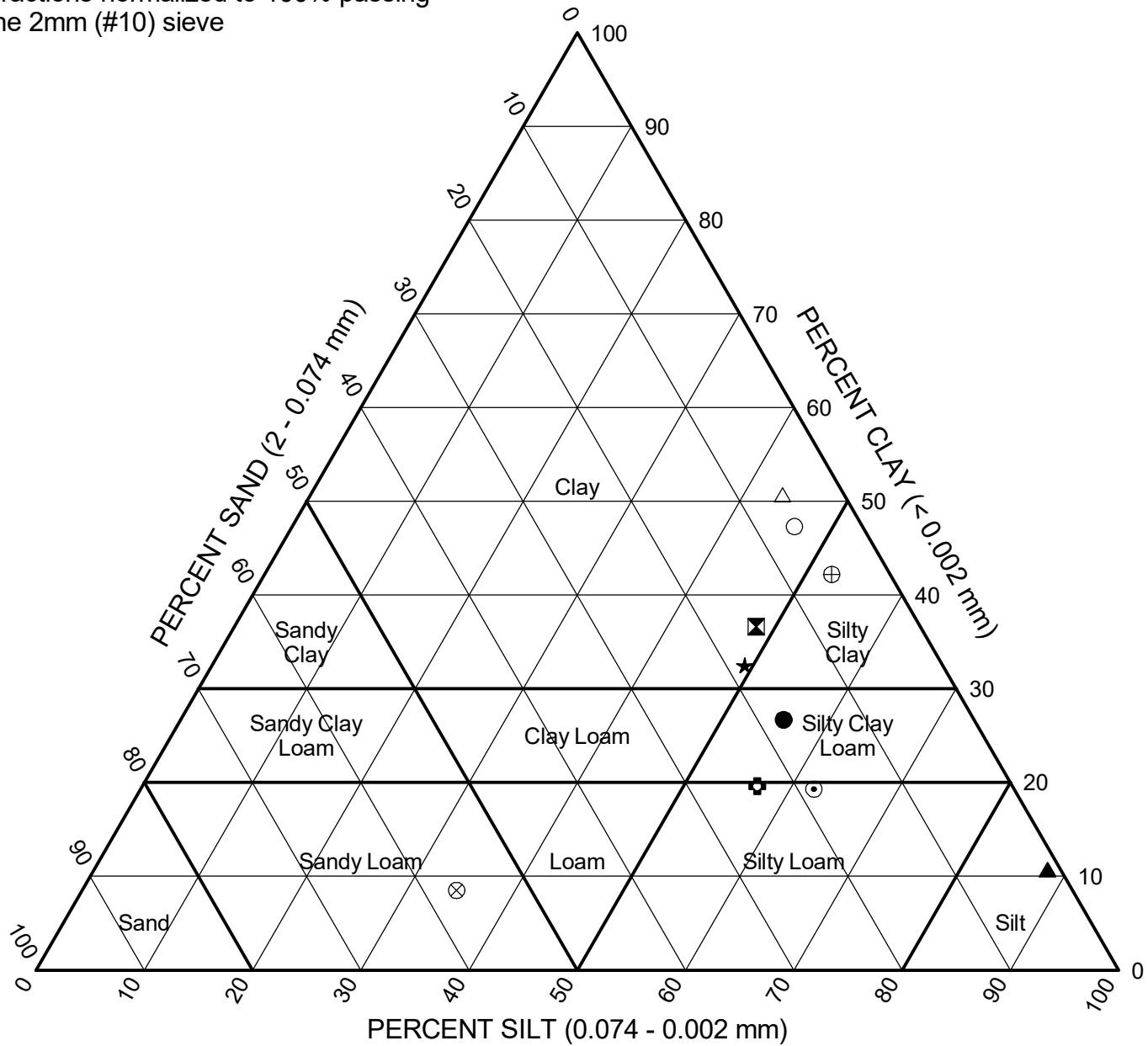


Wang Engineering
 1145 North Main Street
 60148
 Telephone: (630) 953-9928
 Fax: (630) 953-9938

IDH Textural Classification Chart

Project: I-80 Reconstruction, Ridge Road to Houbolt Road
 Location: Will County, Illinois
 Number: 255-39-01

Fractions normalized to 100% passing the 2mm (#10) sieve



Sample	Depth (ft)	Sand (%)	Silt (%)	Clay (%)	Classification		
					IL DOT	AASHTO	ASTM
● SEFR-SGB-04#2	3.0	17.4	55.7	26.7	Silty Clay Loam	A-6 (18)	CL
⊠ AA-BSB-01#6	13.5	15.2	48.2	36.6	Clay	A-7-6 (30)	CH
▲ AA-BSB-01#13	33.5	1.3	88.1	10.7	Silt	A-4 (0)	ML
★ AA-BSB-03#3	6.0	18.2	49.2	32.5	Clay	A-6 (15)	CL
⊙ EB-RWB-02#2	3.5	18.5	62.2	19.3	Gravelly Silty Loam	A-4 (2)	CL
⊕ EB-RWB-04#4	8.5	23.6	56.8	19.6	Gravelly Silty Loam	A-6 (8)	CL
⊙ EB-RWB-06#6	16.0	6.3	46.4	47.3	Clay	A-7-6 (47)	CH
△ AA-RWB-01#3	6.0	5.8	43.6	50.7	Clay	A-7-6 (40)	CH
⊗ AA-RWB-01#7	16.0	57.0	34.6	8.5	Sandy Loam	A-4 (0)	SC-SM
⊕ AA-RWB-02#6	13.5	5.4	52.4	42.2	Silty Clay	A-6 (20)	CL

WEI IDH 2553901.GPJ WANGENG_GDT 10/30/23

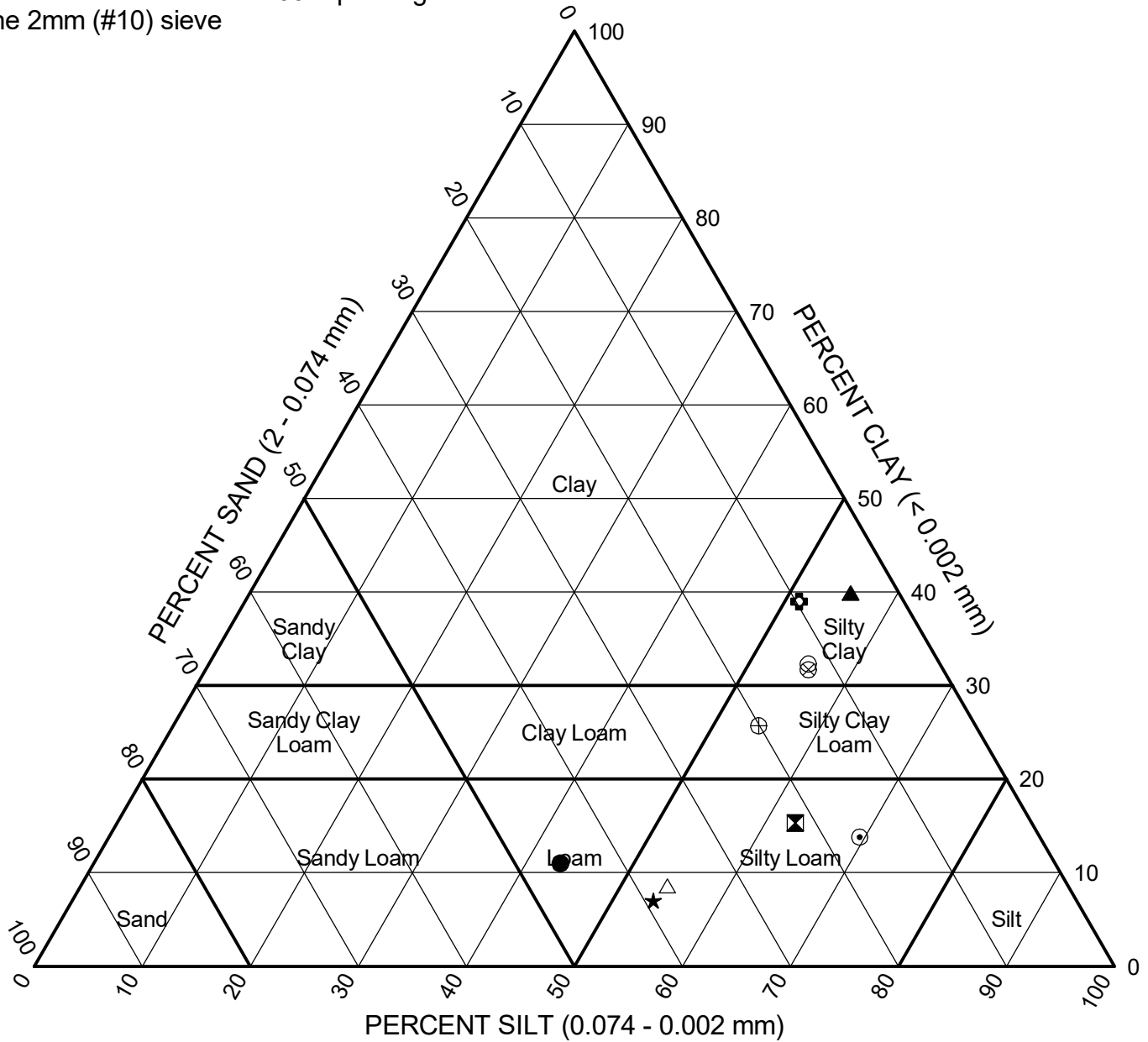


Wang Engineering
 1145 North Main Street
 60148
 Telephone: (630) 953-9928
 Fax: (630) 953-9938

IDH Textural Classification Chart

Project: I-80 Reconstruction, Ridge Road to Houbolt Road
 Location: Will County, Illinois
 Number: 255-39-01

Fractions normalized to 100% passing the 2mm (#10) sieve



Sample	Depth (ft)	Sand (%)	Silt (%)	Clay (%)	Classification		
					IL DOT	AASHTO	ASTM
● AA-RWB-03#3	6.0	45.9	43.2	11.0	Gravelly Loam		
◩ AA-RWB-04#7	16.0	21.9	62.8	15.3	Silty Loam	A-4 (2)	CL-ML
▲ AA-RWB-06#2	3.5	4.5	55.6	39.9	Silty Clay	A-7-6 (30)	CL
★ AA-RWB-06#8	18.5	39.2	53.8	7.0	Gravelly Silty Loam	A-4 (0)	GM
◎ AA-RWB-07#2	3.5	16.8	69.5	13.8	Silty Loam	A-4 (3)	CL-ML
◐ AA-RWB-09#2	3.5	9.7	51.3	39.0	Silty Clay	A-7-6 (23)	CL
○ AA-RWB-10#2	3.5	12.2	55.5	32.3	Silty Clay	A-7-6 (28)	CL
△ AA-RWB-12#3	6.0	37.0	54.3	8.6	Gravelly Silty Loam	A-4 (0)	CL-ML
⊗ AA-RWB-13#2	3.5	12.5	55.8	31.7	Silty Clay	A-6 (17)	CL
⊕ EB-SGB-31#2	2.0	20.1	54.2	25.7	Silty Clay Loam	A-6 (10)	CL

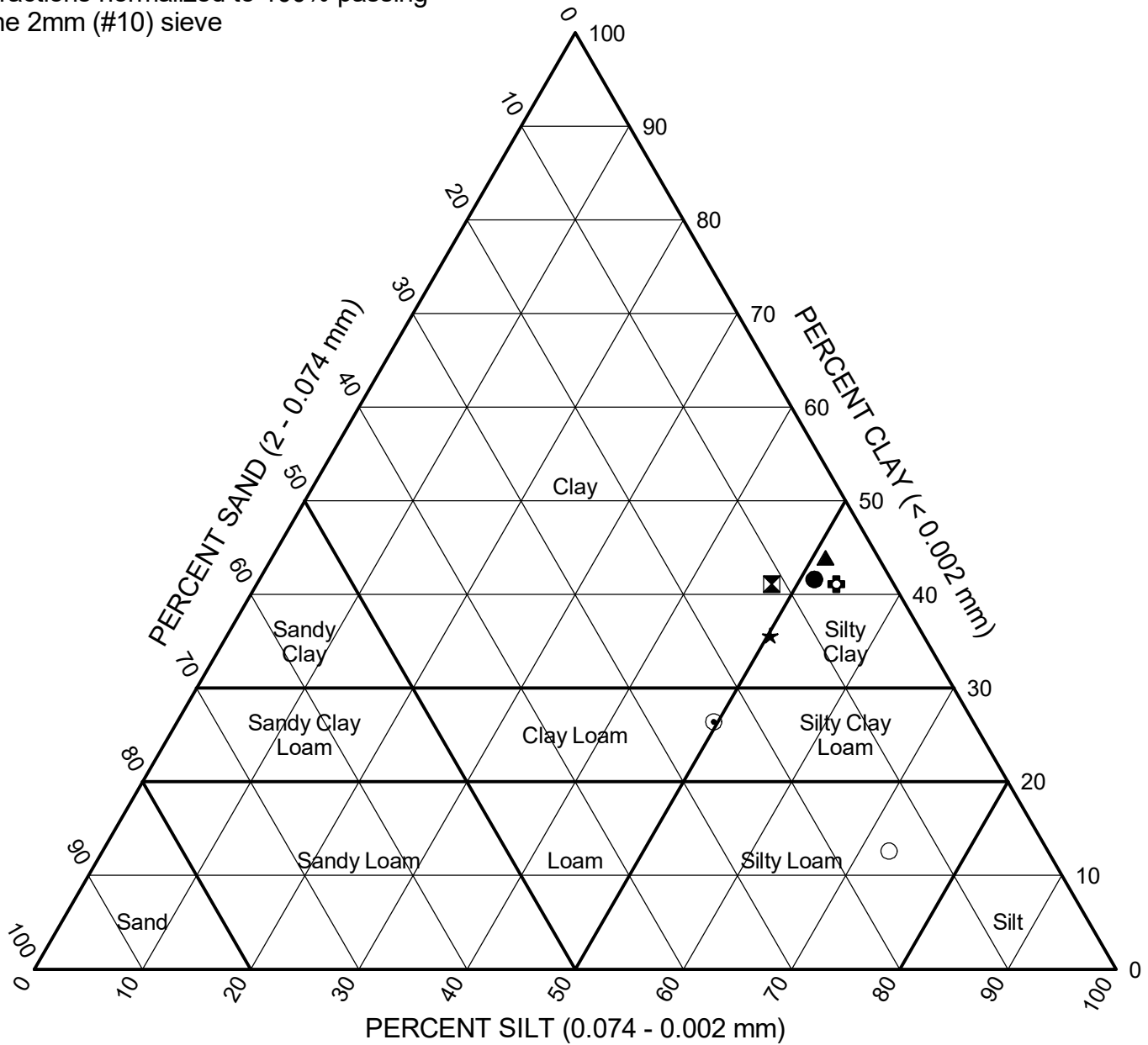


Wang Engineering
 1145 North Main Street
 60148
 Telephone: (630) 953-9928
 Fax: (630) 953-9938

IDH Textural Classification Chart

Project: I-80 Reconstruction, Ridge Road to Houbolt Road
 Location: Will County, Illinois
 Number: 255-39-01

Fractions normalized to 100% passing the 2mm (#10) sieve



Sample	Depth (ft)	Sand (%)	Silt (%)	Clay (%)	Classification		
					IL DOT	AASHTO	ASTM
● FR-BSB-02#10	23.5	7.1	51.3	41.6	Silty Clay	A-6 (20)	CL
⊠ FR-BSB-03#5	11.0	11.2	47.6	41.1	Clay	A-6 (17)	CL
▲ FR-BSB-03#12	28.5	4.8	51.2	43.9	Silty Clay	A-6 (21)	CL
★ FR-BSB-08#5	11.0	14.1	50.2	35.6	Silty Clay	A-6 (12)	CL
⊙ FR-BSB-09#3	6.0	23.9	49.6	26.4	Gravelly Clay Loam	A-6 (12)	CL
⊠ FR-BSB-09#10	23.5	5.3	53.6	41.1	Silty Clay	A-6 (19)	CL
○ WB-SGB-34#3	4.0	14.7	72.7	12.6	Silty Loam	A-4 (4)	CL-ML

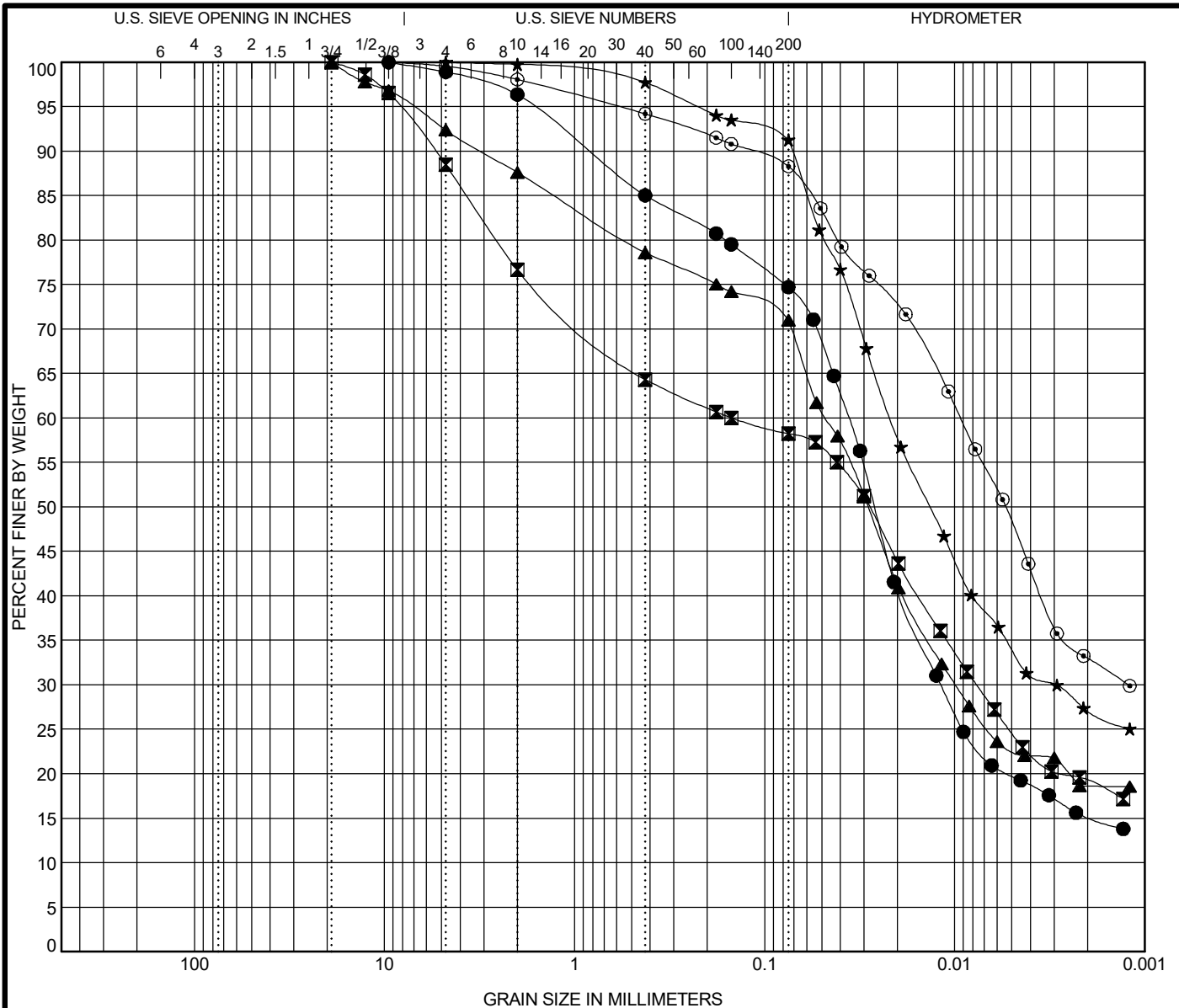
WEI IDH 2553901.GPJ WANGENG_GDT 10/30/23



Wang Engineering
 1145 North Main Street
 60148
 Telephone: (630) 953-9928
 Fax: (630) 953-9938

IDH Textural Classification Chart

Project: I-80 Reconstruction, Ridge Road to Houbolt Road
 Location: Will County, Illinois
 Number: 255-39-01



COBBLES	GRAVEL	SAND		SILT AND CLAY
		coarse	fine	

Specimen Identification	IDH Classification	LL	PL	PI	Cc	Cu		
● 55AA-SGB-05#2 2.0 ft	Silty Loam	34	22	12				
☒ 55AA-SGB-06#2 2.0 ft	Gravelly Silty Clay Loam	44	18	26				
▲ 55BB-SGB-02#3 4.0 ft	Silty Clay Loam	28	15	13				
★ 55B-SGB-02#2 3.0 ft	Silty Clay Loam	36	14	22				
⊙ 55B-SGB-06#3 4.0 ft	Silty Clay	33	15	18				
Specimen Identification	D100	D60	D30	D10	%Gravel	%Sand	%Silt	%Clay
● 55AA-SGB-05#2 2.0 ft	9.5	0.036	0.012		3.6	21.8	59.4	15.2
☒ 55AA-SGB-06#2 2.0 ft	19	0.148	0.008		23.3	18.4	39.0	19.2
▲ 55BB-SGB-02#3 4.0 ft	19	0.047	0.01		12.4	17.0	52.0	18.6
★ 55B-SGB-02#2 3.0 ft	4.75	0.022	0.003		0.2	8.9	63.7	27.2
⊙ 55B-SGB-06#3 4.0 ft	9.5	0.009	0.001		1.9	9.9	55.2	32.9

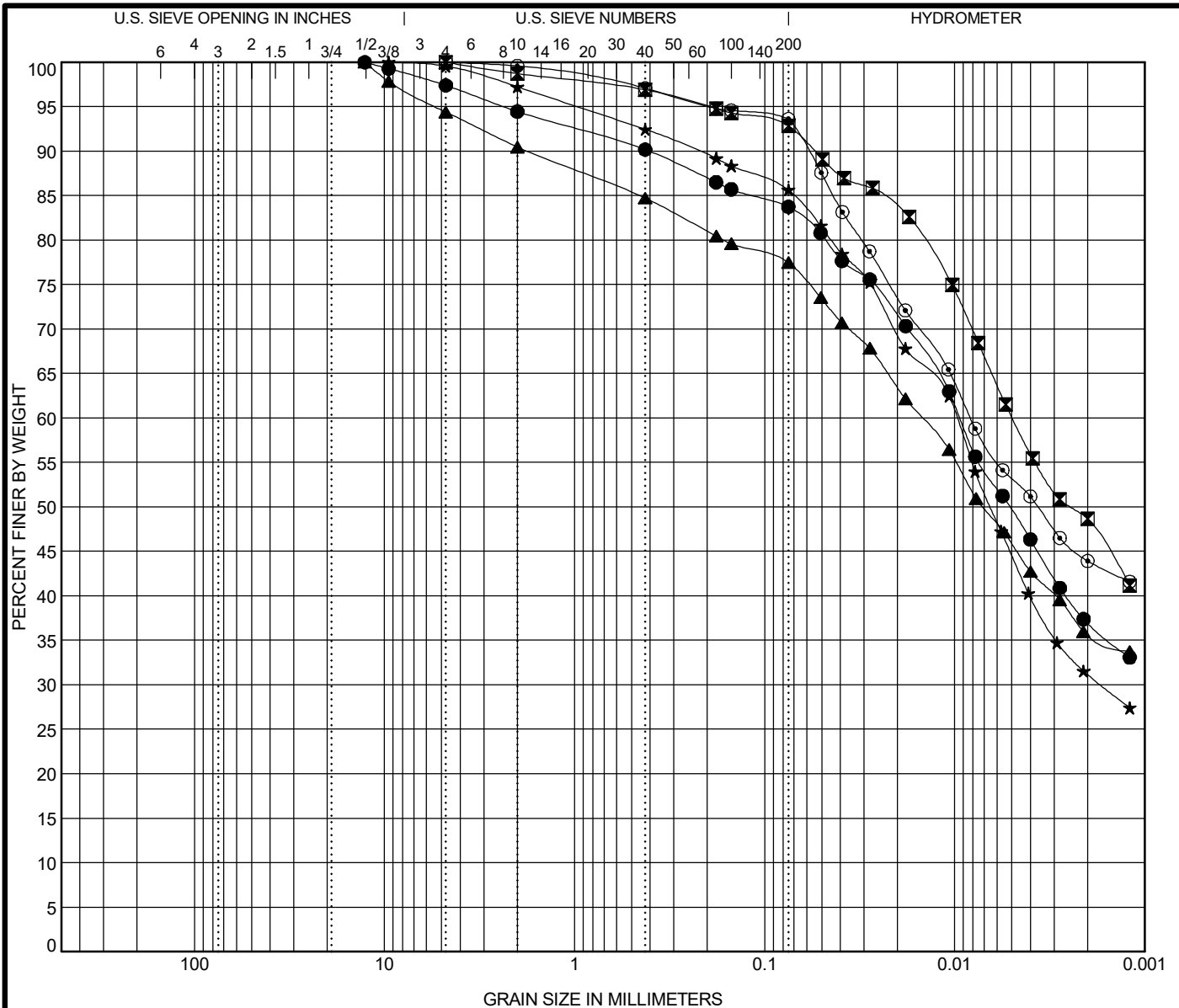
WEI GRAIN SIZE IDH 2553901.GPJ US LAB.GDT 10/30/23



Wang Engineering
1145 North Main Street
60148
Telephone: (630) 953-9928
Fax: (630) 953-9938

GRAIN SIZE DISTRIBUTION

Project: I-80 Reconstruction, Ridge Road to Houbolt Road
Location: Will County, Illinois
Number: 255-39-01



COBBLES	GRAVEL	SAND		SILT AND CLAY
		coarse	fine	

Specimen Identification		IDH Classification					LL	PL	PI	Cc	Cu
●	55CC-SGB-01#2 2.0 ft	Clay					39	14	25		
☒	55DD-SGB-02#3 5.0 ft	Clay					42	15	27		
▲	55D-SGB-02#2 2.0 ft	Clay					46	15	31		
★	55D-SGB-05#2 2.0 ft	Silty Clay					31	14	17		
⊙	55SEFR-SGB-02#2 3.0 ft	Clay					53	16	37		
Specimen Identification		D100	D60	D30	D10	%Gravel	%Sand	%Silt	%Clay		
●	55CC-SGB-01#2 2.0 ft	12.7	0.009			5.5	10.8	46.6	37.0		
☒	55DD-SGB-02#3 5.0 ft	4.75	0.005			1.3	6.0	44.1	48.7		
▲	55D-SGB-02#2 2.0 ft	12.7	0.015			9.5	13.1	41.6	35.8		
★	55D-SGB-05#2 2.0 ft	9.5	0.01	0.002		2.8	11.7	54.3	31.2		
⊙	55SEFR-SGB-02#2 3.0 ft	4.75	0.008			0.4	6.2	49.5	43.9		

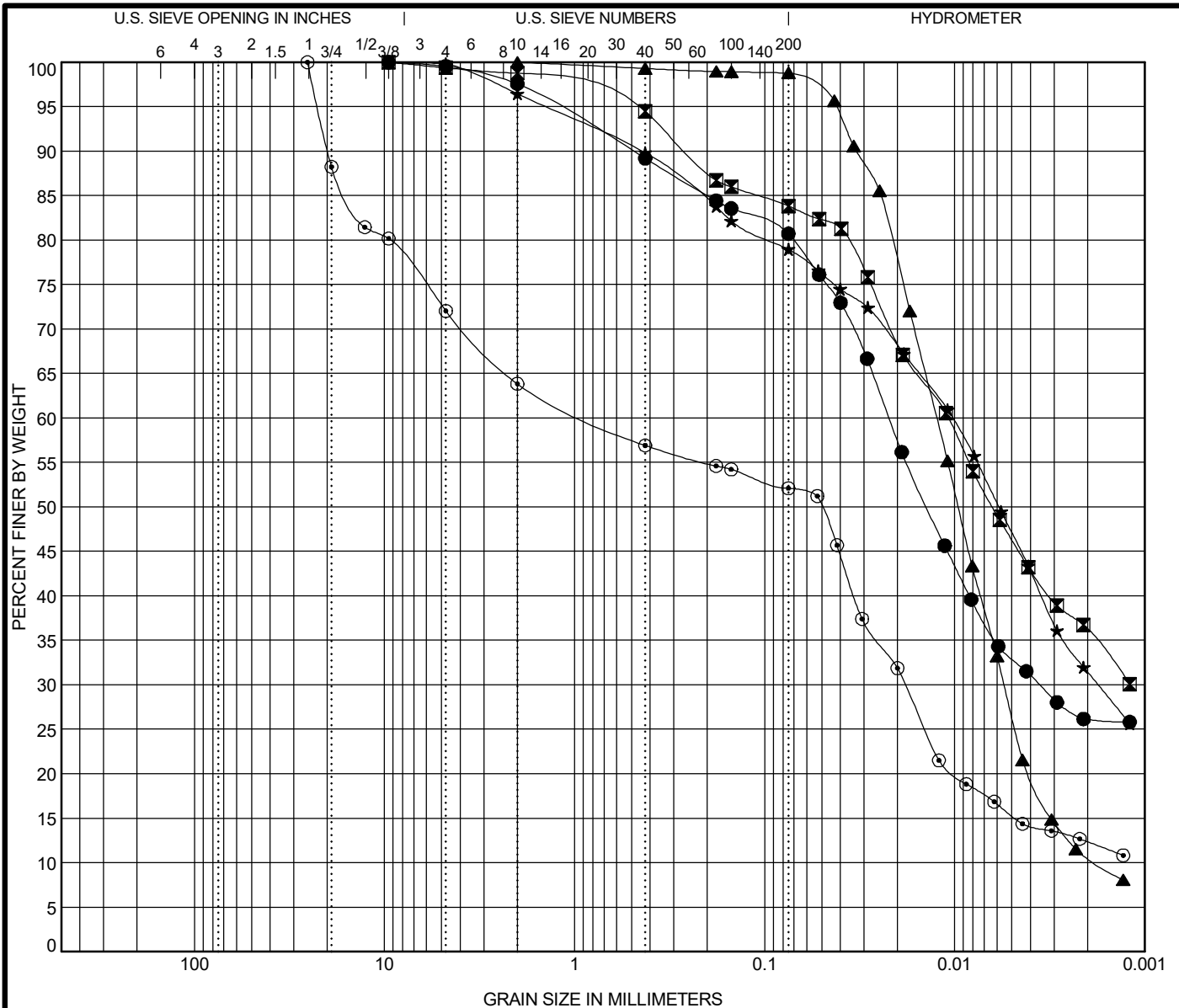
WEI GRAIN SIZE IDH 2553901.GPJ US LAB.GDT 10/30/23



Wang Engineering
1145 North Main Street
60148
Telephone: (630) 953-9928
Fax: (630) 953-9938

GRAIN SIZE DISTRIBUTION

Project: I-80 Reconstruction, Ridge Road to Houbolt Road
Location: Will County, Illinois
Number: 255-39-01



COBBLES	GRAVEL	SAND		SILT AND CLAY
		coarse	fine	

Specimen Identification	IDH Classification	LL	PL	PI	Cc	Cu		
● 55SEFR-SGB-04#2 3.0 ft	Silty Clay Loam	39	15	24				
■ 80AA-BSB-01#6 13.5 ft	Clay	50	15	35				
▲ 80AA-BSB-01#13 33.5 ft	Silt	NP	NP	NP	1.36	6.93		
★ 80AA-BSB-03#3 6.0 ft	Clay	35	14	21				
⊙ 80EB-RWB-02#2 3.5 ft	Gravelly Silty Loam	26	16	10				
Specimen Identification	D100	D60	D30	D10	%Gravel	%Sand	%Silt	%Clay
● 55SEFR-SGB-04#2 3.0 ft	9.5	0.022	0.004		2.4	17.0	54.4	26.1
■ 80AA-BSB-01#6 13.5 ft	9.5	0.011			1.2	15.0	47.6	36.2
▲ 80AA-BSB-01#13 33.5 ft	2	0.012	0.006	0.002	0.0	1.3	88.1	10.7
★ 80AA-BSB-03#3 6.0 ft	9.5	0.01	0.002		3.5	17.6	47.5	31.4
⊙ 80EB-RWB-02#2 3.5 ft	25.4	0.848	0.018		36.2	11.8	39.7	12.3

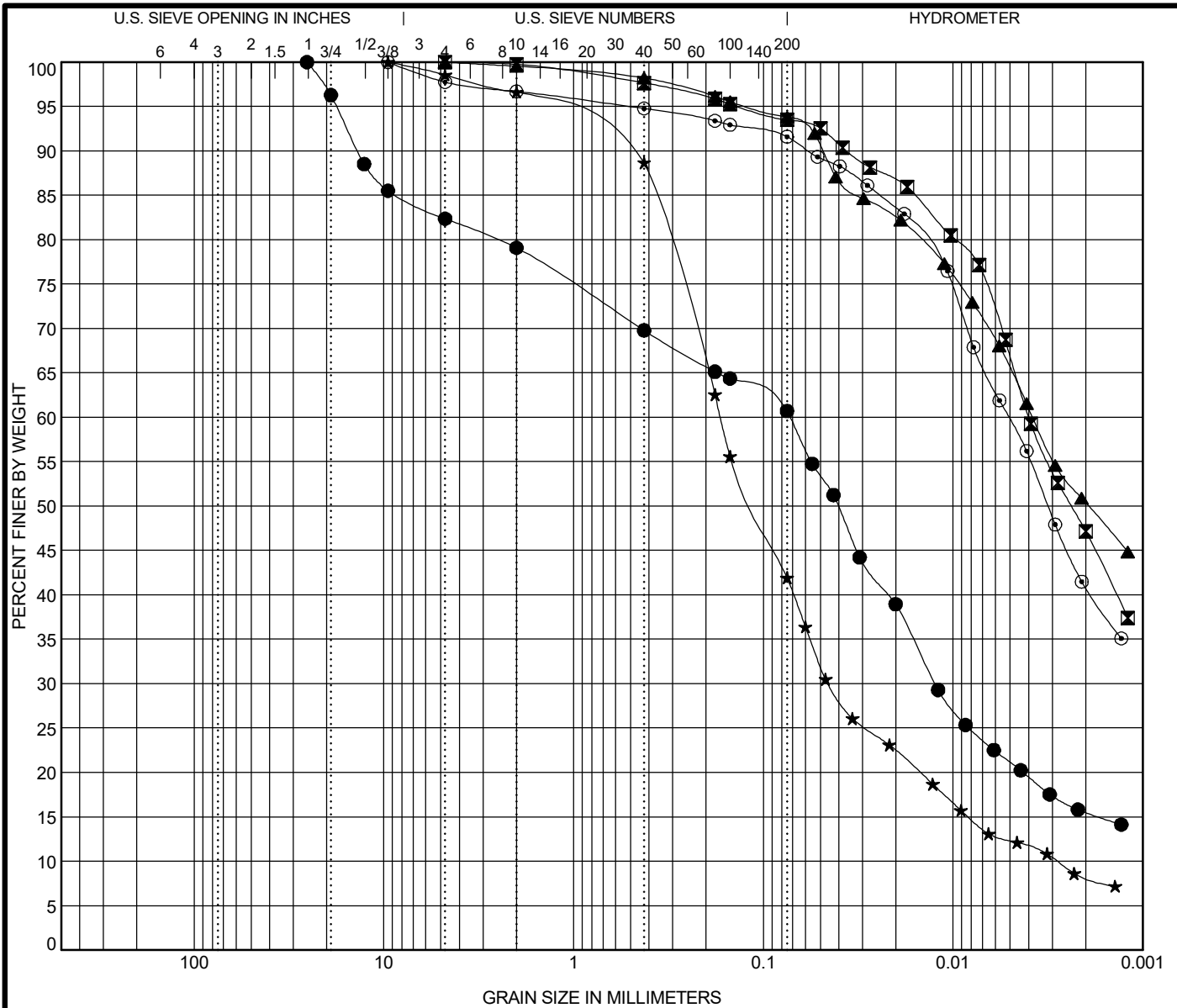


Wang Engineering
 1145 North Main Street
 60148
 Telephone: (630) 953-9928
 Fax: (630) 953-9938

GRAIN SIZE DISTRIBUTION

Project: I-80 Reconstruction, Ridge Road to Houbolt Road
 Location: Will County, Illinois
 Number: 255-39-01

WEI GRAIN SIZE IDH 2553901.GPJ US LAB.GDT 10/30/23



COBBLES	GRAVEL	SAND		SILT AND CLAY
		coarse	fine	

Specimen Identification	IDH Classification	LL	PL	PI	Cc	Cu
● 80EB-RWB-04#4 8.5 ft	Gravelly Silty Loam	33	16	17		
■ 80EB-RWB-06#6 16.0 ft	Clay	65	19	46		
▲ AA-RWB-01#3 6.0 ft	Clay	59	20	39		
★ AA-RWB-01#7 16.0 ft	Sandy Loam	18	12	6	4.32	59.58
⊙ AA-RWB-02#6 13.5 ft	Silty Clay	40	19	21		

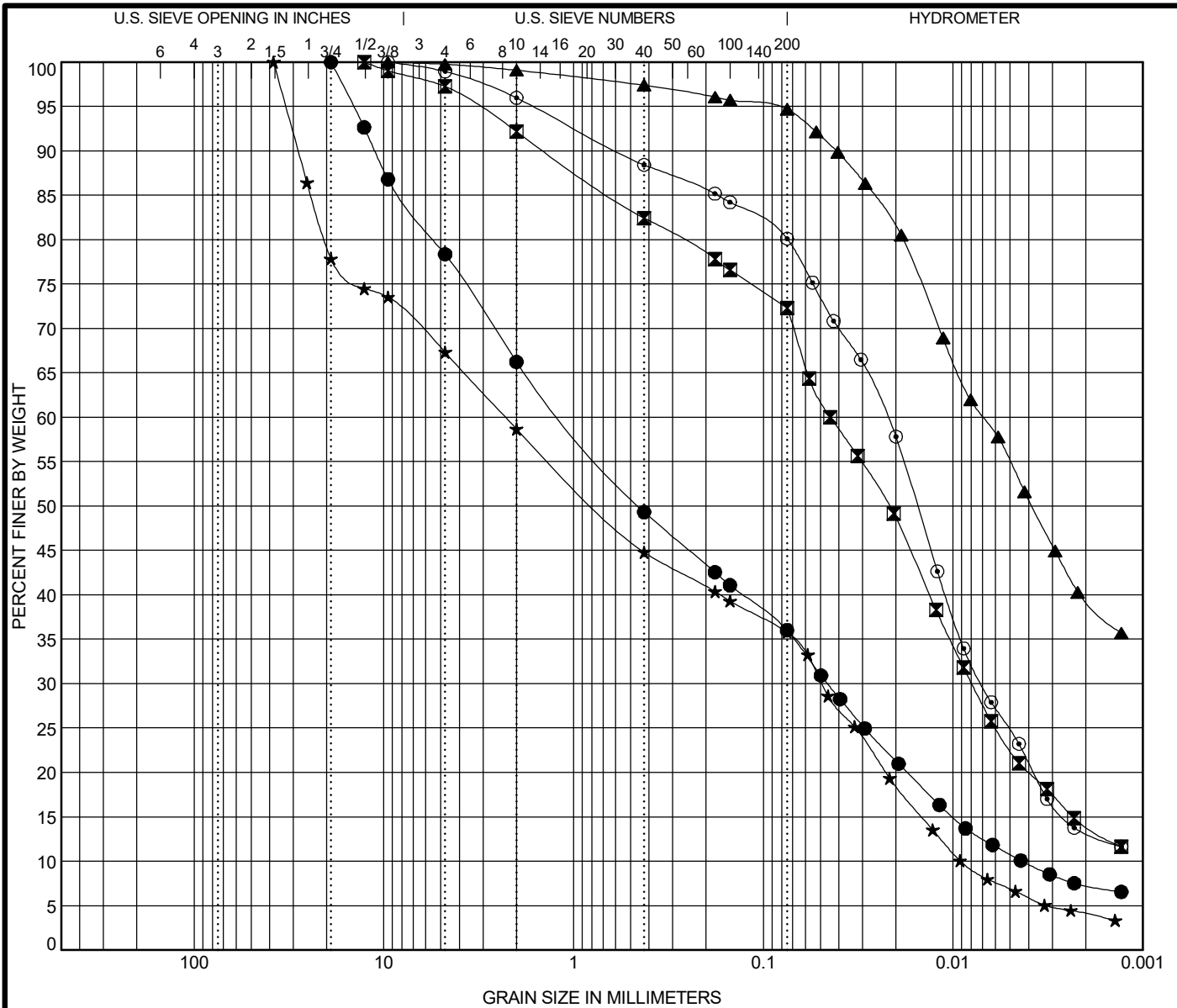
Specimen Identification	D100	D60	D30	D10	%Gravel	%Sand	%Silt	%Clay
● 80EB-RWB-04#4 8.5 ft	25.4	0.072	0.012		20.9	18.7	44.9	15.5
■ 80EB-RWB-06#6 16.0 ft	4.75	0.004			0.3	6.3	46.3	47.2
▲ AA-RWB-01#3 6.0 ft	4.75	0.004			0.5	5.8	43.4	50.4
★ AA-RWB-01#7 16.0 ft	9.5	0.168	0.045	0.003	3.4	55.1	33.4	8.2
⊙ AA-RWB-02#6 13.5 ft	9.5	0.005			3.3	5.2	50.7	40.8



Wang Engineering
 1145 North Main Street
 60148
 Telephone: (630) 953-9928
 Fax: (630) 953-9938

GRAIN SIZE DISTRIBUTION
 Project: I-80 Reconstruction, Ridge Road to Houbolt Road
 Location: Will County, Illinois
 Number: 255-39-01

WEI GRAIN SIZE IDH 2553901.GPJ US LAB.GDT 10/30/23



COBBLES	GRAVEL	SAND		SILT AND CLAY
		coarse	fine	

Specimen Identification		IDH Classification				LL	PL	PI	Cc	Cu
●	AA-RWB-03#3 6.0 ft	Gravelly Loam							0.43	260.94
☒	AA-RWB-04#7 16.0 ft	Silty Loam				22	15	7		
▲	AA-RWB-06#2 3.5 ft	Silty Clay				48	19	29		
★	AA-RWB-06#8 18.5 ft	Gravelly Silty Loam				18	15	3	0.12	250.02
◎	AA-RWB-07#2 3.5 ft	Silty Loam				24	17	7		
Specimen Identification		D100	D60	D30	D10	%Gravel	%Sand	%Silt	%Clay	
●	AA-RWB-03#3 6.0 ft	19	1.13	0.046	0.004	33.8	30.4	28.6	7.3	
☒	AA-RWB-04#7 16.0 ft	12.7	0.044	0.008		7.8	20.2	57.9	14.1	
▲	AA-RWB-06#2 3.5 ft	9.5	0.007			0.9	4.5	55.1	39.5	
★	AA-RWB-06#8 18.5 ft	38.1	2.283	0.049	0.009	41.3	23.0	31.6	4.1	
◎	AA-RWB-07#2 3.5 ft	9.5	0.022	0.007		4.0	16.1	66.7	13.2	

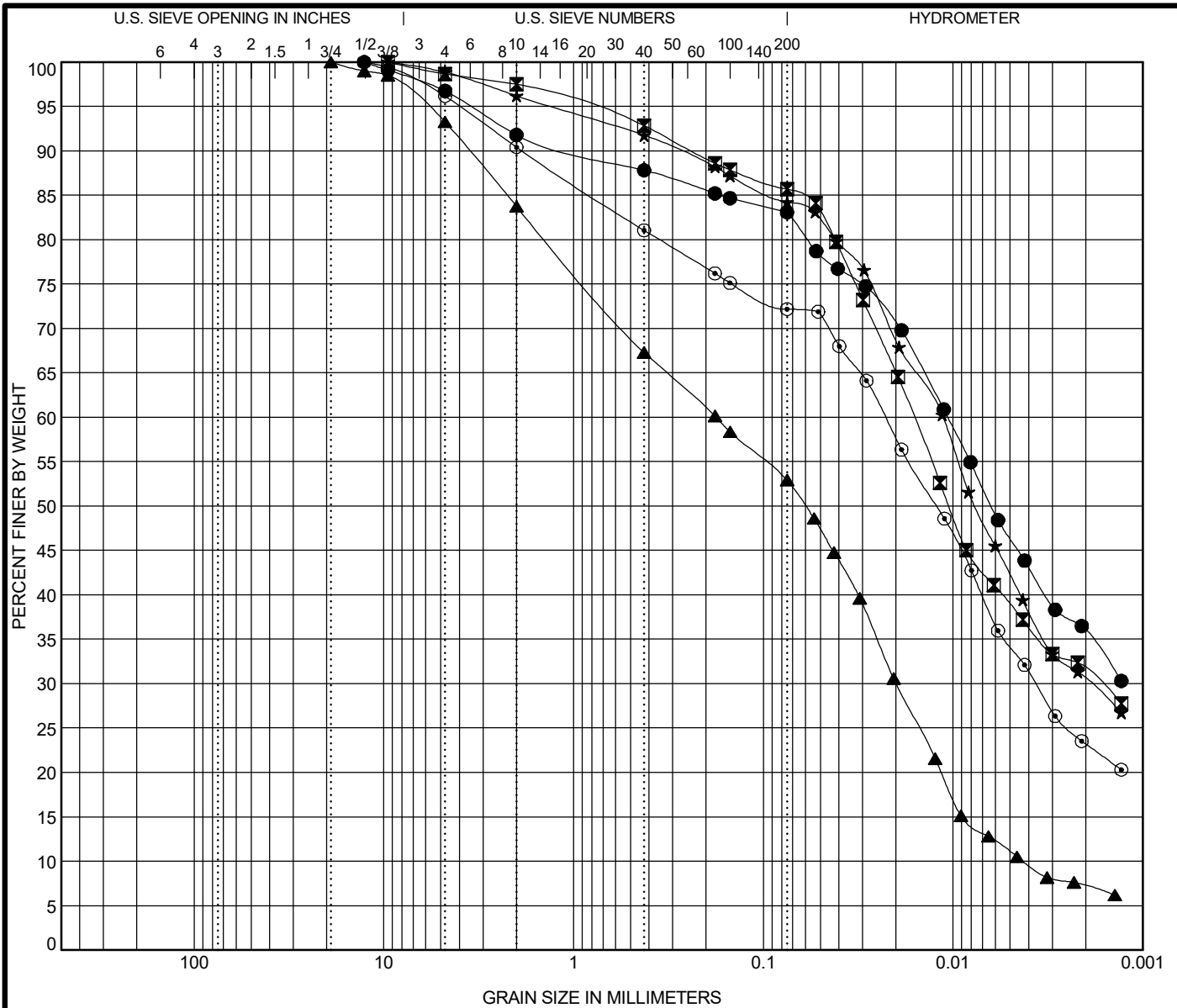


Wang Engineering
 1145 North Main Street
 60148
 Telephone: (630) 953-9928
 Fax: (630) 953-9938

GRAIN SIZE DISTRIBUTION

Project: I-80 Reconstruction, Ridge Road to Houbolt Road
 Location: Will County, Illinois
 Number: 255-39-01

WEI GRAIN SIZE IDH 2553901.GPJ US LAB.GDT 10/30/23



COBBLES	GRAVEL	SAND		SILT AND CLAY
		coarse	fine	

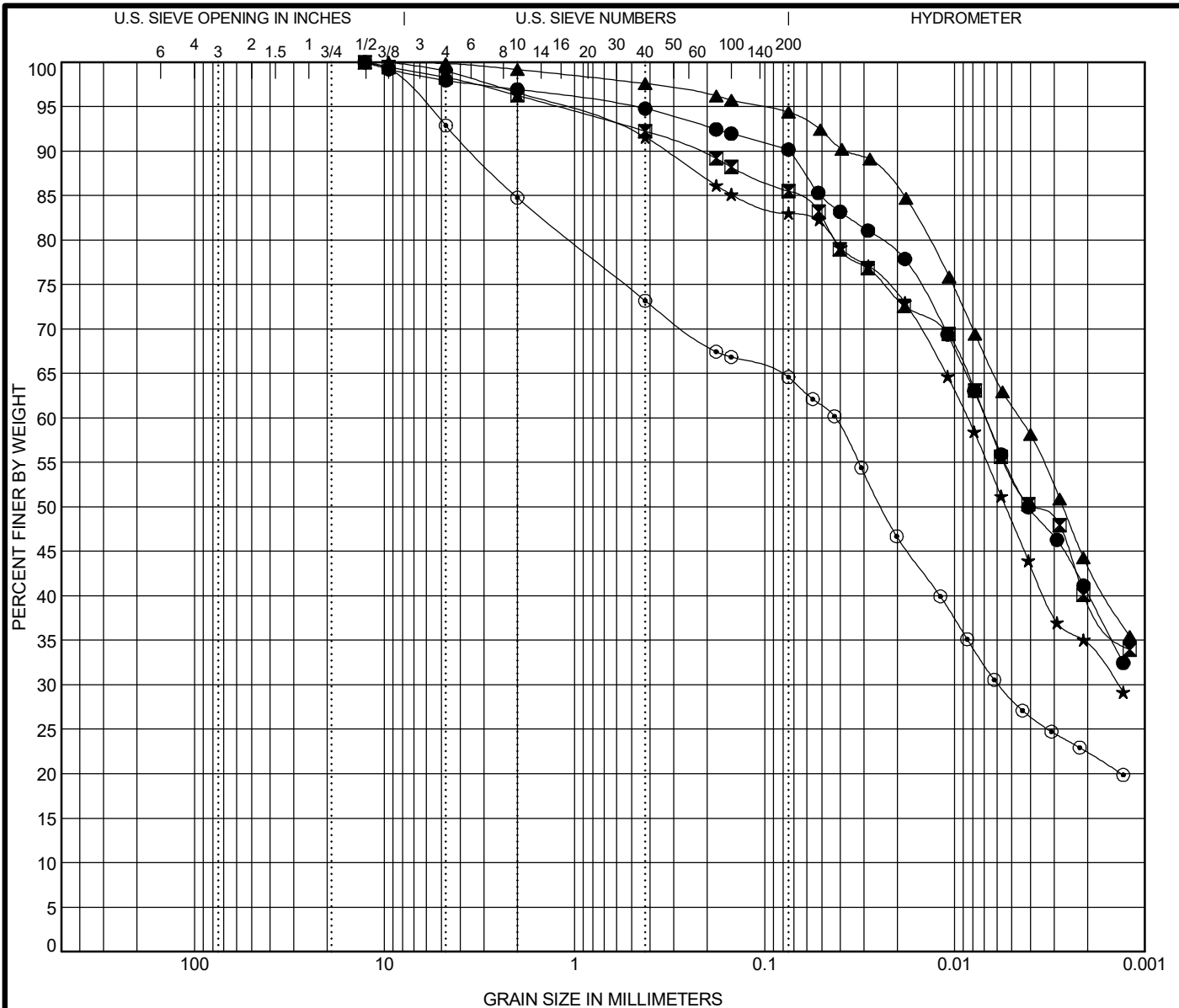
Specimen Identification			IDH Classification					LL	PL	PI	Cc	Cu
●	AA-RWB-09#2	3.5 ft	Silty Clay					43	15	28		
☒	AA-RWB-10#2	3.5 ft	Silty Clay					49	17	32		
▲	AA-RWB-12#3	6.0 ft	Gravelly Silty Loam					19	15	4	0.53	41.62
★	AA-RWB-13#2	3.5 ft	Silty Clay					37	15	22		
◎	EB-SGB-31#2	2.0 ft	Silty Clay Loam					33	16	17		
Specimen Identification			D100	D60	D30	D10	%Gravel	%Sand	%Silt	%Clay		
●	AA-RWB-09#2	3.5 ft	12.7	0.011			8.2	8.9	47.1	35.8		
☒	AA-RWB-10#2	3.5 ft	9.5	0.016	0.002		2.5	11.9	54.1	31.5		
▲	AA-RWB-12#3	6.0 ft	19	0.178	0.02	0.004	16.2	31.0	45.5	7.2		
★	AA-RWB-13#2	3.5 ft	9.5	0.011	0.002		3.8	12.0	53.7	30.5		
◎	EB-SGB-31#2	2.0 ft	12.7	0.023	0.004		9.6	18.2	49.0	23.2		

WEI GRAIN SIZE IDH 2553901.GPJ US LAB.GDT 10/30/23



Wang Engineering
 1145 North Main Street
 60148
 Telephone: (630) 953-9928
 Fax: (630) 953-9938

GRAIN SIZE DISTRIBUTION
 Project: I-80 Reconstruction, Ridge Road to Houbolt Road
 Location: Will County, Illinois
 Number: 255-39-01



COBBLES	GRAVEL	SAND		SILT AND CLAY
		coarse	fine	

Specimen Identification			IDH Classification					LL	PL	PI	Cc	Cu
●	FR-BSB-02#10	23.5 ft	Silty Clay					40	18	22		
■	FR-BSB-03#5	11.0 ft	Clay					36	15	21		
▲	FR-BSB-03#12	28.5 ft	Silty Clay					39	17	22		
★	FR-BSB-08#5	11.0 ft	Silty Clay					32	16	16		
○	FR-BSB-09#3	6.0 ft	Gravelly Clay Loam					39	16	23		
Specimen Identification			D100	D60	D30	D10	%Gravel	%Sand	%Silt	%Clay		
●	FR-BSB-02#10	23.5 ft	12.7	0.007			3.1	6.9	49.7	40.3		
■	FR-BSB-03#5	11.0 ft	12.7	0.007			3.7	10.8	45.8	39.6		
▲	FR-BSB-03#12	28.5 ft	9.5	0.005			0.8	4.8	50.8	43.5		
★	FR-BSB-08#5	11.0 ft	9.5	0.009	0.001		3.4	13.6	48.5	34.4		
○	FR-BSB-09#3	6.0 ft	12.7	0.042	0.006		15.2	20.3	42.1	22.4		

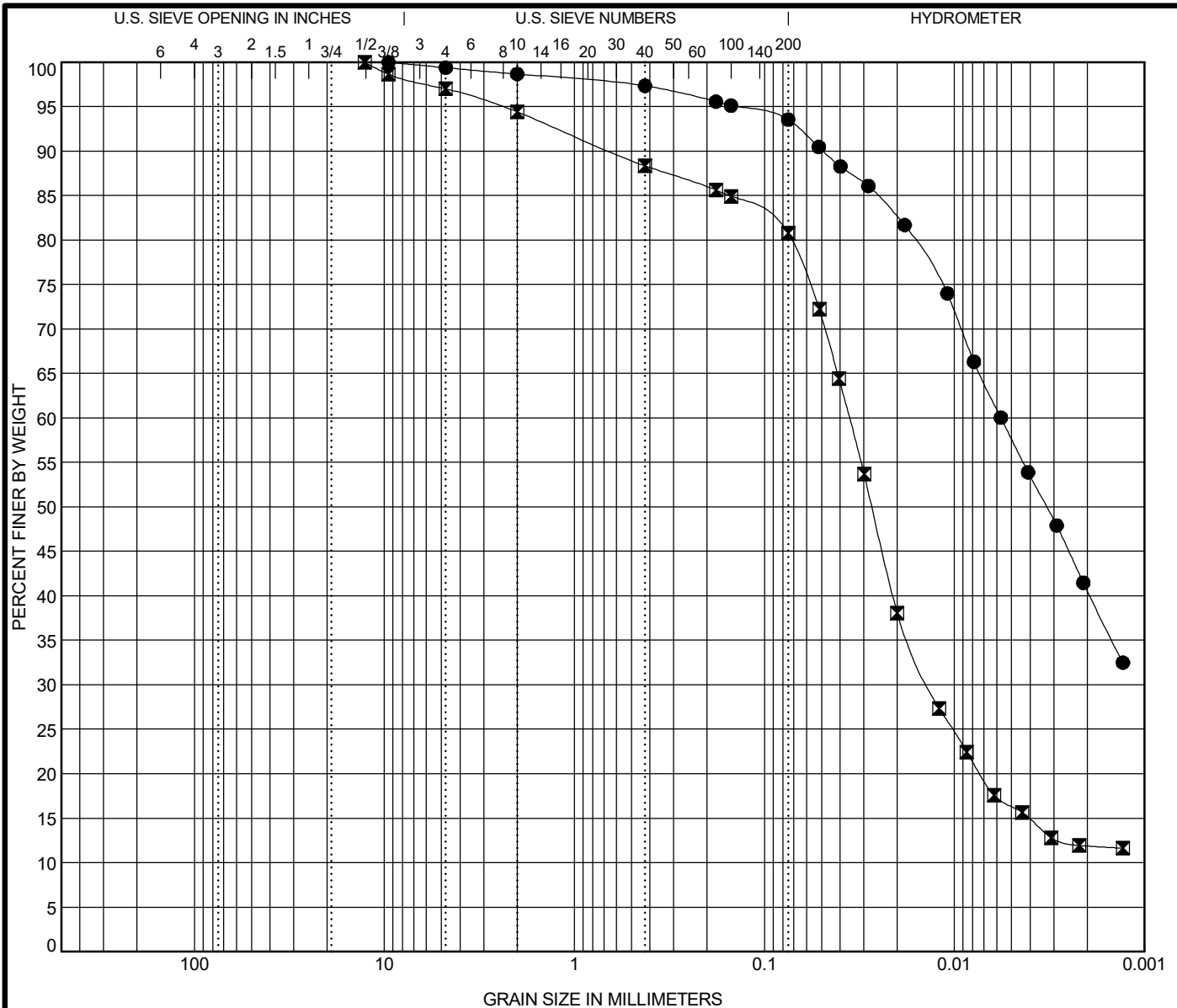
WEI GRAIN SIZE IDH 2553901.GPJ US LAB.GDT 10/30/23



Wang Engineering
 1145 North Main Street
 60148
 Telephone: (630) 953-9928
 Fax: (630) 953-9938

GRAIN SIZE DISTRIBUTION

Project: I-80 Reconstruction, Ridge Road to Houbolt Road
 Location: Will County, Illinois
 Number: 255-39-01



COBBLES	GRAVEL	SAND		SILT AND CLAY
		coarse	fine	

Specimen Identification		IDH Classification	LL	PL	PI	Cc	Cu
●	FR-BSB-09#10 23.5 ft	Silty Clay	39	19	20		
☒	WB-SGB-34#3 4.0 ft	Silty Loam	25	18	7		

Specimen Identification		D100	D60	D30	D10	%Gravel	%Sand	%Silt	%Clay
●	FR-BSB-09#10 23.5 ft	9.5	0.006			1.3	5.2	52.9	40.6
☒	WB-SGB-34#3 4.0 ft	12.7	0.036	0.014		5.6	13.9	68.6	11.9

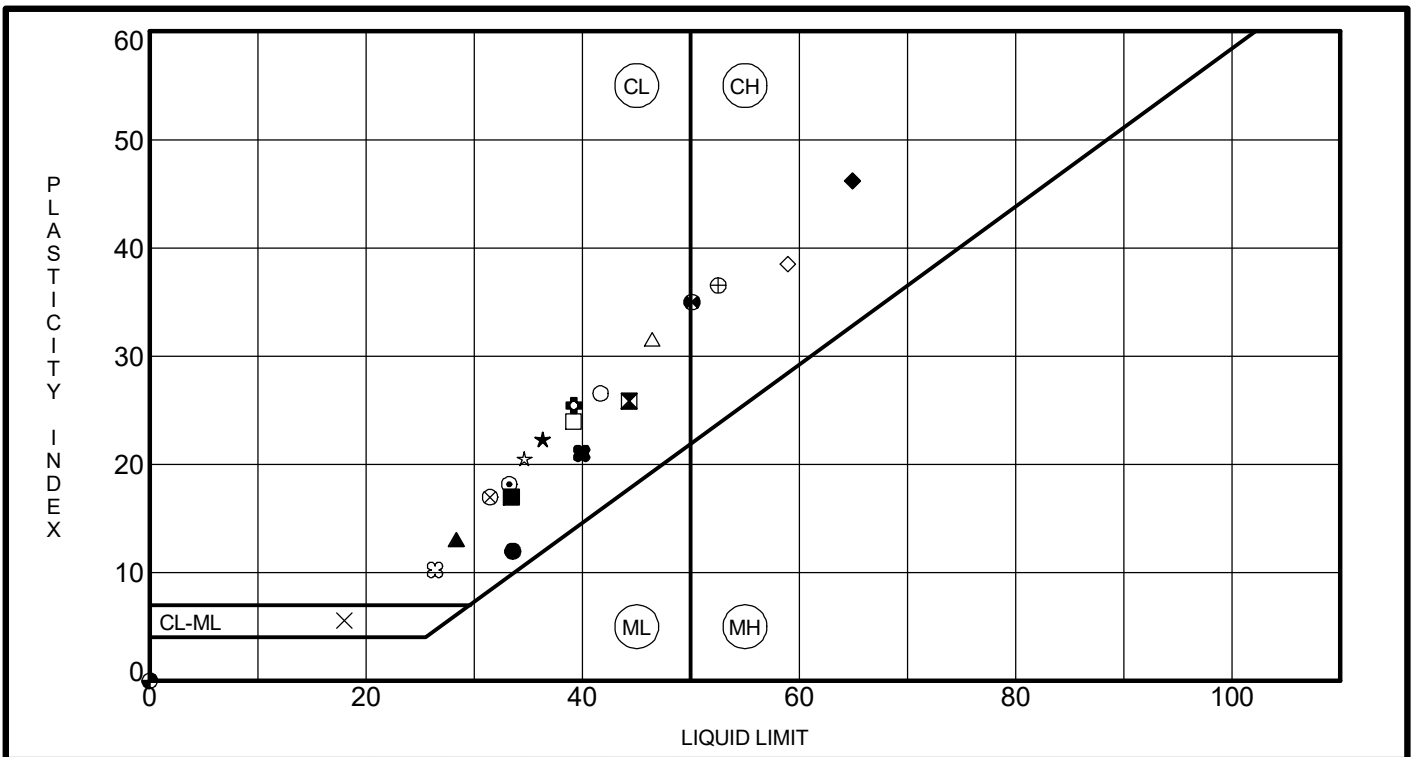


Wang Engineering
 1145 North Main Street
 60148
 Telephone: (630) 953-9928
 Fax: (630) 953-9938

GRAIN SIZE DISTRIBUTION

Project: I-80 Reconstruction, Ridge Road to Houbolt Road
 Location: Will County, Illinois
 Number: 255-39-01

WEI GRAIN SIZE IDH 2553901.GPJ US LAB.GDT 10/30/23



Specimen Identification	LL	PL	PI	Fines	IDH Classification	
● 55AA-SGB-05#2	2.0 ft	34	22	12	75	Silty Loam
⊠ 55AA-SGB-06#2	2.0 ft	44	18	26	58	Gravelly Silty Clay Loam
▲ 55BB-SGB-02#3	4.0 ft	28	15	13	71	Silty Clay Loam
★ 55B-SGB-02#2	3.0 ft	36	14	22	91	Silty Clay Loam
⊙ 55B-SGB-06#3	4.0 ft	33	15	18	88	Silty Clay
⊕ 55CC-SGB-01#2	2.0 ft	39	14	25	84	Clay
○ 55DD-SGB-02#3	5.0 ft	42	15	27	93	Clay
△ 55D-SGB-02#2	2.0 ft	46	15	31	77	Clay
⊗ 55D-SGB-05#2	2.0 ft	31	14	17	86	Silty Clay
⊕ 55SEFR-SGB-02#2	3.0 ft	53	16	37	94	Clay
□ 55SEFR-SGB-04#2	3.0 ft	39	15	24	81	Silty Clay Loam
⊕ 80AA-BSB-01#6	13.5 ft	50	15	35	84	Clay
⊕ 80AA-BSB-01#13	33.5 ft	NP	NP	NP	99	Silt
☆ 80AA-BSB-03#3	6.0 ft	35	14	21	79	Clay
⊗ 80EB-RWB-02#2	3.5 ft	26	16	10	52	Gravelly Silty Loam
■ 80EB-RWB-04#4	8.5 ft	33	16	17	61	Gravelly Silty Loam
◆ 80EB-RWB-06#6	16.0 ft	65	19	46	93	Clay
◇ AA-RWB-01#3	6.0 ft	59	20	39	94	Clay
× AA-RWB-01#7	16.0 ft	18	12	6	42	Sandy Loam
■ AA-RWB-02#6	13.5 ft	40	19	21	92	Silty Clay

WEI ATTERBERG LIMITS IDH 2533901.GPJ US LAB.GDT 10/30/23

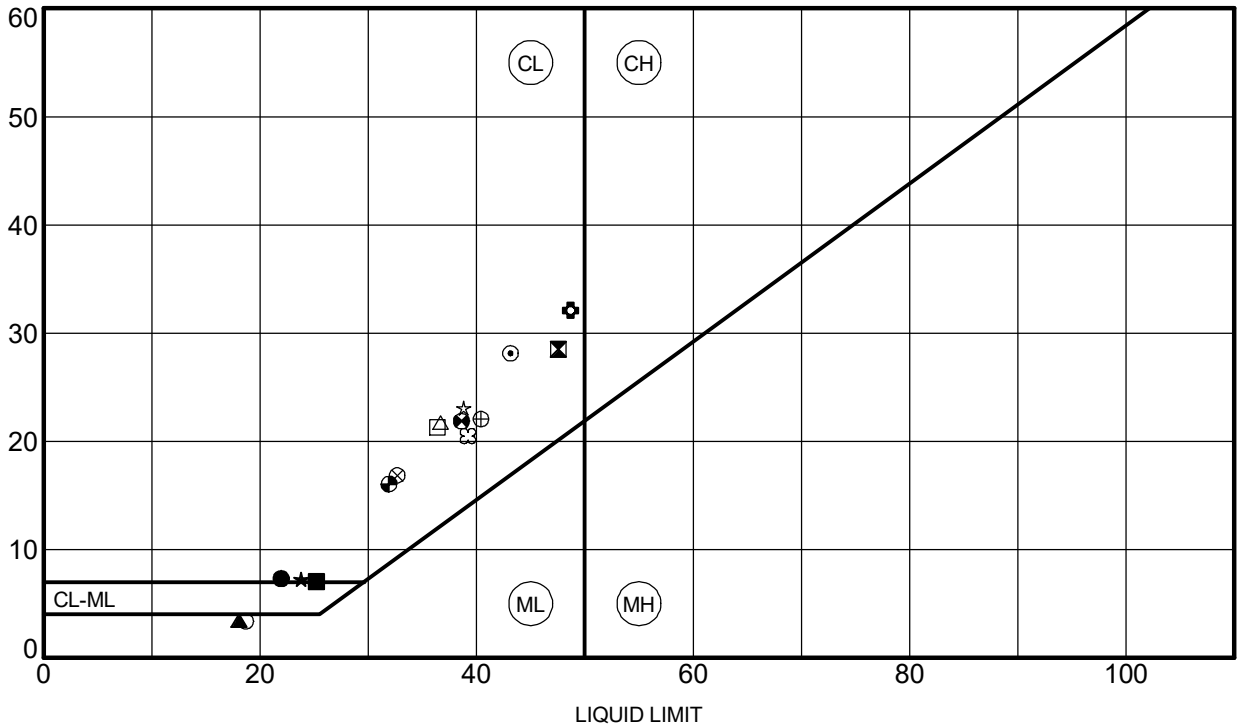


Wang Engineering
 1145 North Main Street
 60148
 Telephone: (630) 953-9928
 Fax: (630) 953-9938

ATTERBERG LIMITS' RESULTS

Project: I-80 Reconstruction, Ridge Road to Houbolt Road
 Location: Will County, Illinois
 Number: 255-39-01

P L A S T I C I T Y
I N D E X



Specimen Identification	LL	PL	PI	Fines	IDH Classification
● AA-RWB-04#7 16.0 ft	22	15	7	72	Silty Loam
⊠ AA-RWB-06#2 3.5 ft	48	19	29	95	Silty Clay
▲ AA-RWB-06#8 18.5 ft	18	15	3	36	Gravelly Silty Loam
★ AA-RWB-07#2 3.5 ft	24	17	7	80	Silty Loam
⊙ AA-RWB-09#2 3.5 ft	43	15	28	83	Silty Clay
⊕ AA-RWB-10#2 3.5 ft	49	17	32	86	Silty Clay
○ AA-RWB-12#3 6.0 ft	19	15	4	53	Gravelly Silty Loam
△ AA-RWB-13#2 3.5 ft	37	15	22	84	Silty Clay
⊗ EB-SGB-31#2 2.0 ft	33	16	17	72	Silty Clay Loam
⊕ FR-BSB-02#10 23.5 ft	40	18	22	90	Silty Clay
□ FR-BSB-03#5 11.0 ft	36	15	21	86	Clay
⊕ FR-BSB-03#12 28.5 ft	39	17	22	94	Silty Clay
⊕ FR-BSB-08#5 11.0 ft	32	16	16	83	Silty Clay
★ FR-BSB-09#3 6.0 ft	39	16	23	65	Gravelly Clay Loam
⊗ FR-BSB-09#10 23.5 ft	39	19	20	94	Silty Clay
■ WB-SGB-34#3 4.0 ft	25	18	7	81	Silty Loam

WEI ATTERBERG LIMITS IDH 2553901.GPJ US LAB.GDT 10/30/23



Wang Engineering
1145 North Main Street
60148
Telephone: (630) 953-9928
Fax: (630) 953-9938

ATTERBERG LIMITS' RESULTS

Project: I-80 Reconstruction, Ridge Road to Houbolt Road
Location: Will County, Illinois
Number: 255-39-01

APPENDIX C



State Job Number: KE225039 Project: I-80 Reconstruction Route: I-80

Section: I-80/I-55 Interchange City or County: Will Date: 11/01/2023

ADT: _____ Year: _____ Design Period: _____ Class Highway: _____

Passenger Cars Per Day: _____ Trucks S.U. Per Day: _____ Trucks M.U. Per Day: _____

Pavement Structure: _____

Type Surface Course: _____ Thickness: _____

Type Base Course: _____ Thickness: _____

Type Subbase Material: _____ Thickness: _____

Sta. to Sta.	13+97 to 22+94*	3+50 to 30+50**	998+69 to 1040+28^	13+15 to 25+51^^
*Sta. of Test	15+95	17+12	1005+31	21+80
*Drainage Class	Poor	Poor	Poor	Poor
*Ave. Frost Penetration	45 to 60 in.	45 to 60 in.	45 to 60 in.	45 to 60 in.
Illinois Textural Classification	Silty Clay Loam	Silty Clay	Silty Clay Loam	Silty Clay
Classification and Group Index (AASHTO M 145)	A-6 (10)	A-7-6 (30)	A-6 (19)	A-6 (17)
*Percent Silt (AASHTO T 88)	49.0	55.1	63.7	53.7
*Illinois Bearing Ratio (%)				
Std. Dry Density (IL Mod. AASHTO T 99)				
Optimum Moisture (IL Mod AASHTO T 99)				

* Indicates worst condition within the above station limits.

Remarks: * Ramp A

** Ramp AA

^ Ramp B

^^ Ramp BB



State Job Number: KE225039 Project: I-80 Reconstruction Route: I-80

Section: I-80/I-55 Interchange City or County: Will Date: 11/01/2023

ADT: _____ Year: _____ Design Period: _____ Class Highway: _____

Passenger Cars Per Day: _____ Trucks S.U. Per Day: _____ Trucks M.U. Per Day: _____

Pavement Structure: _____

Type Surface Course: _____ Thickness: _____

Type Base Course: _____ Thickness: _____

Type Subbase Material: _____ Thickness: _____

Sta. to Sta.	10+00 to 14+47*	7+00 to 32+33**	8+73 to 17+70^	4+91 to 40+00^^
*Sta. of Test	13+16	17+28	14+17	21+80
*Drainage Class	Poor	Poor	Poor	Poor
*Ave. Frost Penetration	45 to 60 in.	45 to 60 in.	45 to 60 in.	45 to 60 in.
Illinois Textural Classification	Clay	Silty Clay	Clay	Clay
Classification and Group Index (AASHTO M 145)	A-6 (20)	A-6 (13)	A-7-6 (25)	A-7-6 (37)
*Percent Silt (AASHTO T 88)	46.0	54.3	48.7	49.5
*Illinois Bearing Ratio (%)				
Std. Dry Density (IL Mod. AASHTO T 99)				
Optimum Moisture (IL Mod AASHTO T 99)				

* Indicates worst condition within the above station limits.

Remarks: * Ramp CC

** Ramp D

^ Ramp DD

^^ SE Frontage Road

SOIL TEST DATA

ROUTE
I-80 / I-55 Interchange

PROJECT
KE225039 (255-39-01)

SECTION
Ramp A (Sta.13+97 to Sta.22+94)

COUNTY
Will County

Lab. No.	EB-SGB-31 No.2
Station (ft)	340+65.88
Offset (ft)	103.1 RT
Depth (ft)	2
AASHTO M 145 Classification and Group Index	A-6 (10)
Illinois Textural Classification (Illinois Method)	Silty Clay Loam
Gradation--Passing 1" Sieve %	
--" 3/4" Sieve %	
--" 1/2" Sieve %	100.0
--" No.4 Sieve %	96.2
--" No.10 Sieve %	90.4
--" No.40 Sieve %	81.1
--" No.100 Sieve %	75.1
--" No.200 Sieve %	72.2
Sand % (AASHTO T 88)	18.2
Silt % (AASHTO T 88)	49.0
Clay % (AASHTO T 88)	23.2
Liquid limit % (AASHTO T 89)	33.0
Plasticity index % (AASHTO T 90)	17.0
IBR % (Illinois Method)	
Standard Dry Density % (AASHTO T 99)	
Optimum Moisture % (AASHTO T 99)	
Subgrade Support Rating	POOR
Insitu Moisture % (AASHTO T 99)	16

SOIL TEST DATA

ROUTE
I-80 / I-55 Interchange

PROJECT
KE225039 (255-39-01)

SECTION
Ramp AA (Sta.3+50 to Sta.30+50)

COUNTY
Will County

Lab. No.	55AA-SGB-06 No.2	55D-SGB-02 No.2	AA-RWB-06 No.2	AA-RWB-12 No.3	AA-RWB-13 No.2
Station (ft)	33+91.8	8+31.33	17+11.84	30+14.4	31+02.1
Offset (ft)	1.5 RT	12.5 LT	28.86 RT	6.7 RT	7.2 LT
Depth (ft)	2	2	3.5	6	3.5
AASHTO M 145 Classification and Group Index	A-7-6 (12)	A-7-6 (23)	A-7-6 (30)	A-4 (0)	A-6 (17)
Illinois Textural Classification (Illinois Method)	Gravelly Silty Clay Loam	Clay	Silty Clay	Gravelly Silty Loam	Silty Clay
Gradation--Passing 1" Sieve %					
--" 3/4" Sieve %	100			100.0	
--" 1/2" Sieve %	98.6	100.0	100.0	99.0	100.0
--" No.4 Sieve %	88.5	94.4	99.8	93.3	98.9
--" No.10 Sieve %	76.7	90.5	99.1	83.8	96.2
--" No.40 Sieve %	64.3	84.7	97.4	67.3	91.8
--" No.100 Sieve %	60.0	79.6	95.7	58.4	87.2
--" No.200 Sieve %	58.2	77.3	94.6	52.7	84.2
Sand % (AASHTO T 88)	18.4	13.1	4.5	31.0	12.0
Silt % (AASHTO T 88)	39.0	41.6	55.1	45.5	53.7
Clay % (AASHTO T 88)	19.2	35.8	39.5	7.2	30.5
Liquid limit % (AASHTO T 89)	44.0	46.0	48.0	19.0	37.0
Plasticity index % (AASHTO T 90)	26.0	32.0	29.0	3.0	22.0
IBR % (Illinois Method)					
Standard Dry Density % (AASHTO T 99)					
Optimum Moisture % (AASHTO T 99)					
Subgrade Support Rating	POOR	FAIR	FAIR	POOR	FAIR
Insitu Moisture % (AASHTO T 99)	28	23	24	12	16

SOIL TEST DATA

ROUTE
I-80 / I-55 Interchange

PROJECT
KE225039 (255-39-01)

SECTION
Ramp B (Sta.998+69 to Sta. 1040+28)

COUNTY
Will County

Lab. No.	55B-SGB-02 No.2	55AA-SGB-06 No.2	55SEFR-SGB-02 No.2	AA-RWB-12 No.3	AA-RWB-13 No.2
Station (ft)	1005+31.13	33+91.8	21+18.18	30+14.4	31+02.1
Offset (ft)	2.3 RT	1.5 RT	3.6 RT	6.7 RT	7.2 LT
Depth (ft)	3	2	3	6	3.5
AASHTO M 145 Classification and Group Index	A-6 (19)	A-7-6 (12)	A-7-6 (37)	A-4 (0)	A-6 (17)
Illinois Textural Classification (Illinois Method)	Silty Clay Loam	Gravelly Silty Clay Loam	Clay	Gravelly Silty Loam	Silty Clay
Gradation--Passing 1" Sieve %					
--" 3/4" Sieve %		100		100.0	
--" 1/2" Sieve %		98.6		99.0	100.0
--" No.4 Sieve %	100.0	88.5	100.0	93.3	98.9
--" No.10 Sieve %	99.8	76.7	99.6	83.8	96.2
--" No.40 Sieve %	97.8	64.3	97.1	67.3	91.8
--" No.100 Sieve %	93.5	60.0	94.6	58.4	87.2
--" No.200 Sieve %	90.9	58.2	93.4	52.7	84.2
Sand % (AASHTO T 88)	8.9	18.4	6.2	31.0	12.0
Silt % (AASHTO T 88)	63.7	39.0	49.5	45.5	53.7
Clay % (AASHTO T 88)	27.2	19.2	43.9	7.2	30.5
Liquid limit % (AASHTO T 89)	36.0	44.0	53.0	19.0	37.0
Plasticity index % (AASHTO T 90)	22.0	26.0	37.0	3.0	22.0
IBR % (Illinois Method)					
Standard Dry Density % (AASHTO T 99)					
Optimum Moisture % (AASHTO T 99)					
Subgrade Support Rating	POOR	POOR	FAIR	POOR	FAIR
Insitu Moisture % (AASHTO T 99)	19	28	29	12	16

SOIL TEST DATA

ROUTE
I-80 / I-55 Interchange

PROJECT
KE225039 (255-39-01)

SECTION
Ramp BB (Sta.13+15 to Sta. 25+51)

COUNTY
Will County

Lab. No.	55BB-SGB-02 No.3	AA-RWB-12 No.3	AA-RWB-13 No.2
Station (ft)	33+55.95	30+14.4	31+02.1
Offset (ft)	11.5 RT	6.7 RT	7.2 LT
Depth (ft)	4	6	3.5
AASHTO M 145 Classification and Group Index	A-6 (7)	A-4 (0)	A-6 (17)
Illinois Textural Classification (Illinois Method)	Silty Clay Loam	Gravelly Silty Loam	Silty Clay
Gradation--Passing 1" Sieve %			
--" 3/4" Sieve %	100	100	
--" 1/2" Sieve %	97.8	99.0	100.0
--" No.4 Sieve %	92.4	93.3	98.9
--" No.10 Sieve %	87.6	83.8	96.2
--" No.40 Sieve %	78.6	67.3	91.8
--" No.100 Sieve %	74.2	58.4	87.2
--" No.200 Sieve %	70.6	52.7	84.2
Sand % (AASHTO T 88)	17.0	31.0	12.0
Silt % (AASHTO T 88)	52.0	45.5	53.7
Clay % (AASHTO T 88)	18.6	7.2	30.5
Liquid limit % (AASHTO T 89)	28.0	19.0	37.0
Plasticity index % (AASHTO T 90)	13.0	3.0	22.0
IBR % (Illinois Method)			
Standard Dry Density % (AASHTO T 99)			
Optimum Moisture % (AASHTO T 99)			
Subgrade Support Rating	POOR	POOR	FAIR
Insitu Moisture % (AASHTO T 99)	13	12	16

SOIL TEST DATA

ROUTE
I-80 / I-55 Interchange

PROJECT
KE225039 (255-39-01)

SECTION
Ramp CC (Sta.10+00 to Sta. 14+47)

COUNTY
Will County

Lab. No.	55CC-SGB-01 No.2	WB-SGB-34 No.3
Station ft)	13+15.77	359+83.68
Offset (ft)	24.9 LT	84.4 LT
Depth (ft)	2	4
AASHTO M 145 Classification and Group Index	A-6 (20)	A-4 (4)
Illinois Textural Classification (Illinois Method)	Clay	Silty Loam
Gradation--Passing 1" Sieve %		
--" 3/4" Sieve %		
--" 1/2" Sieve %	100.0	100.0
--" No.4 Sieve %	97.4	97.0
--" No.10 Sieve %	94.5	94.4
--" No.40 Sieve %	90.2	88.3
--" No.100 Sieve %	85.7	84.9
--" No.200 Sieve %	83.6	80.5
Sand % (AASHTO T 88)	10.8	13.9
Silt % (AASHTO T 88)	46.6	68.6
Clay % (AASHTO T 88)	37.0	11.9
Liquid limit % (AASHTO T 89)	39.0	25.0
Plasticity index % (AASHTO T 90)	25.0	7.0
IBR % (Illinois Method)		
Standard Dry Density % (AASHTO T 99)		
Optimum Moisture % (AASHTO T 99)		
Subgrade Support Rating	FAIR	POOR
Insitu Moisture % (AASHTO T 99)	20	12

SOIL TEST DATA

ROUTE
I-80 / I-55 Interchange

PROJECT
KE225039 (255-39-01)

SECTION
Ramp D (Sta.7+00 to Sta. 32+33)

COUNTY
Will County

Lab. No.	55D-SGB-02 No.2	55D-SGB-05 No.2
Station ft)	8+31.33	17+27.88
Offset (ft)	12.5 LT	6.9 RT
Depth (ft)	2	2
AASHTO M 145 Classification and Group Index	A-7-6 (23)	A-6 (13)
Illinois Textural Classification (Illinois Method)	Clay	Silty Clay
Gradation--Passing 1" Sieve %		
--" 3/4" Sieve %		
--" 1/2" Sieve %	100.0	100.0
--" No.4 Sieve %	94.4	99.6
--" No.10 Sieve %	90.5	97.2
--" No.40 Sieve %	84.7	92.5
--" No.100 Sieve %	79.6	88.3
--" No.200 Sieve %	77.3	85.5
Sand % (AASHTO T 88)	13.1	11.7
Silt % (AASHTO T 88)	41.6	54.3
Clay % (AASHTO T 88)	35.8	31.2
Liquid limit % (AASHTO T 89)	46.0	31.0
Plasticity index % (AASHTO T 90)	32.0	17.0
IBR % (Illinois Method)		
Standard Dry Density % (AASHTO T 99)		
Optimum Moisture % (AASHTO T 99)		
Subgrade Support Rating	FAIR	FAIR
Insitu Moisture % (AASHTO T 99)	23	17

SOIL TEST DATA

ROUTE
I-80 / I-55 Interchange

PROJECT
KE225039 (255-39-01)

SECTION
Ramp DD (Sta.8+73 to Sta. 17+70)

COUNTY
Will County

Lab. No.	55DD-SGB-02 No.3
Station (ft)	14+16.58
Offset (ft)	13.1 LT
Depth (ft)	5
AASHTO M 145 Classification and Group Index	A-7-6 (25)
Illinois Textural Classification (Illinois Method)	Clay
Gradation--Passing 1" Sieve %	
--" 3/4" Sieve %	
--" 1/2" Sieve %	
--" No.4 Sieve %	100.0
--" No.10 Sieve %	98.7
--" No.40 Sieve %	96.9
--" No.100 Sieve %	94.3
--" No.200 Sieve %	92.7
Sand % (AASHTO T 88)	6.0
Silt % (AASHTO T 88)	44.1
Clay % (AASHTO T 88)	48.7
Liquid limit % (AASHTO T 89)	42.0
Plasticity index % (AASHTO T 90)	27.0
IBR % (Illinois Method)	
Standard Dry Density % (AASHTO T 99)	
Optimum Moisture % (AASHTO T 99)	
Subgrade Support Rating	FAIR
Insitu Moisture % (AASHTO T 99)	21

SOIL TEST DATA

ROUTE
I-80 / I-55 Interchange

PROJECT
KE225039 (255-39-01)

SECTION
SEFR (Sta.4+91 to Sta. 40+00)

COUNTY
Will County

Lab. No.	55SEFR-SGB-02 No.2	55B-SGB-02 No.2
Station ft)	21+18.18	1005+31.13
Offset (ft)	3.6 RT	2.3 RT
Depth (ft)	3	3
AASHTO M 145 Classification and Group Index	A-7-6 (37)	A-6 (19)
Illinois Textural Classification (Illinois Method)	Clay	Silty Clay Loam
Gradation--Passing 1" Sieve %		
--" 3/4" Sieve %		
--" 1/2" Sieve %		
--" No.4 Sieve %	100.0	100.0
--" No.10 Sieve %	99.6	99.8
--" No.40 Sieve %	97.1	97.8
--" No.100 Sieve %	94.6	93.5
--" No.200 Sieve %	93.4	90.9
Sand % (AASHTO T 88)	6.2	8.9
Silt % (AASHTO T 88)	49.5	63.7
Clay % (AASHTO T 88)	43.9	27.2
Liquid limit % (AASHTO T 89)	53.0	36.0
Plasticity index % (AASHTO T 90)	37.0	22.0
IBR % (Illinois Method)		
Standard Dry Density % (AASHTO T 99)		
Optimum Moisture % (AASHTO T 99)		
Subgrade Support Rating	FAIR	POOR
Insitu Moisture % (AASHTO T 99)	29	19

APPENDIX D

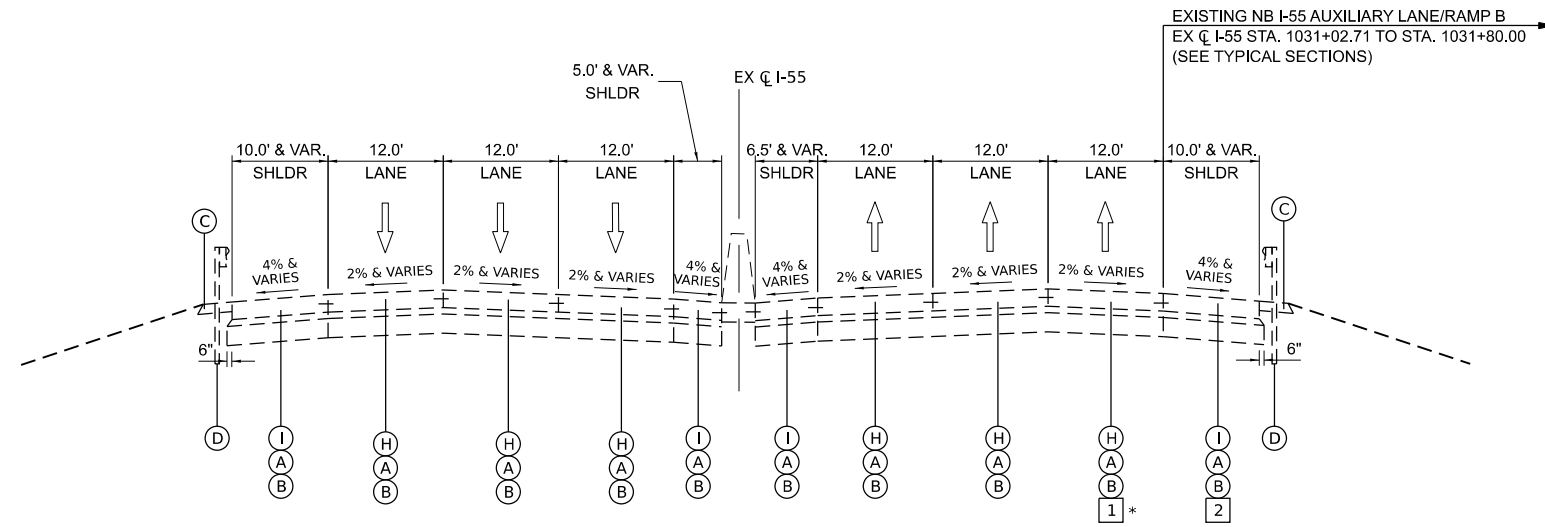
LEGEND

EXISTING TYPICAL SECTION

- (A) EXISTING STABILIZED SUBBASE, 4"±
- (B) EXISTING AGGREGATE SUBGRADE, 12"± (& VARIES)
- (C) EXISTING AGGREGATE SHOULDERS, 6"±
- (D) EXISTING GUARDRAIL
- (E) TOPSOIL EXCAVATION AND PLACEMENT (9" AVERAGE DEPTH TO BE STRIPPED)
- (F) EXISTING PCC PAVEMENT, 11 1/2"±
- (G) EXISTING PCC SHOULDERS, 11 1/2"±
- (H) EXISTING CONTINUOUSLY REINFORCED PORTLAND CEMENT CONCRETE PAVEMENT, 11"±
- (I) EXISTING PCC SHOULDERS, 11"±
- (J) EXISTING HOT-MIX ASPHALT PAVEMENT, FULL DEPTH, 9"±
- (K) EXISTING BITUMINOUS CONCRETE PAVEMENT, 17"±
- (L) EXISTING BITUMINOUS SHOULDERS, 17"±
- (M) EXISTING BITUMINOUS SHOULDERS, 6"±
- (N) EXISTING ACCESS CONTROL FENCE

REMOVAL ITEMS

- [1] PAVEMENT REMOVAL
- [2] PAVED SHOULDER REMOVAL

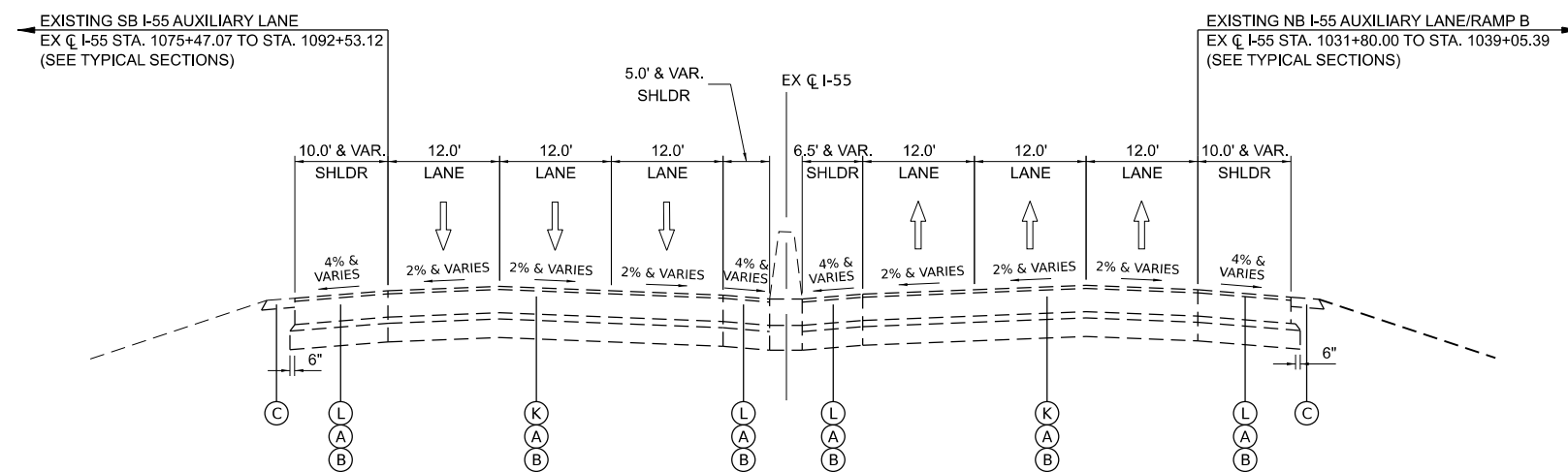


EXISTING I-55

LOOKING NORTH

EX C I-55 STA. 1013+94.75 TO STA. 1031+80.00 (NB I-55)
EX C I-55 STA. 1013+94.75 TO STA. 1030+60.00 (SB I-55)

* PAVEMENT REMOVAL WIDTH VARIES (SEE REMOVAL SHEETS)



EXISTING I-55

LOOKING NORTH

OMIT EX C I-55 STA. 1039+05.39 TO STA. 1068+44.09
EX C I-55 STA. 1031+80.00 TO STA. 1092+53.12 (NB I-55)
EX C I-55 STA. 1030+60.00 TO STA. 1092+53.12 (SB I-55)

MODEL: Default
FILE NAME: p:\transysystems\pwr\kentley.com\transys\scorp\pwr\hosted\Documents\Projects_2018\CH401\401180022\01-Stantec\CAD\INT-02_62R26\04-Sheet\02-Roadway\02\62R26-shl-typical.dgn



USER NAME	▀ Ibusansky	DESIGNED	-	REVISED	-
DRAWN	-	REVISIONS	-	REVISED	-
PLOT SCALE	▀ 20.0000' / in.	CHECKED	-	REVISED	-
PLOT DATE	▀ 1/16/2024	DATE	-	REVISED	-

**STATE OF ILLINOIS
DEPARTMENT OF TRANSPORTATION**

TYPICAL SECTIONS

SCALE: SHEET 1 OF 15 SHEETS STA. TO STA.

F.A.I. RTE.	SECTION	COUNTY	TOTAL SHEETS	SHEET NO.
I-80	FAI 80 21 STRUCTURE 5	WILL	302	14
CONTRACT NO. 62R26			ILLINOIS FED. AID PROJECT	

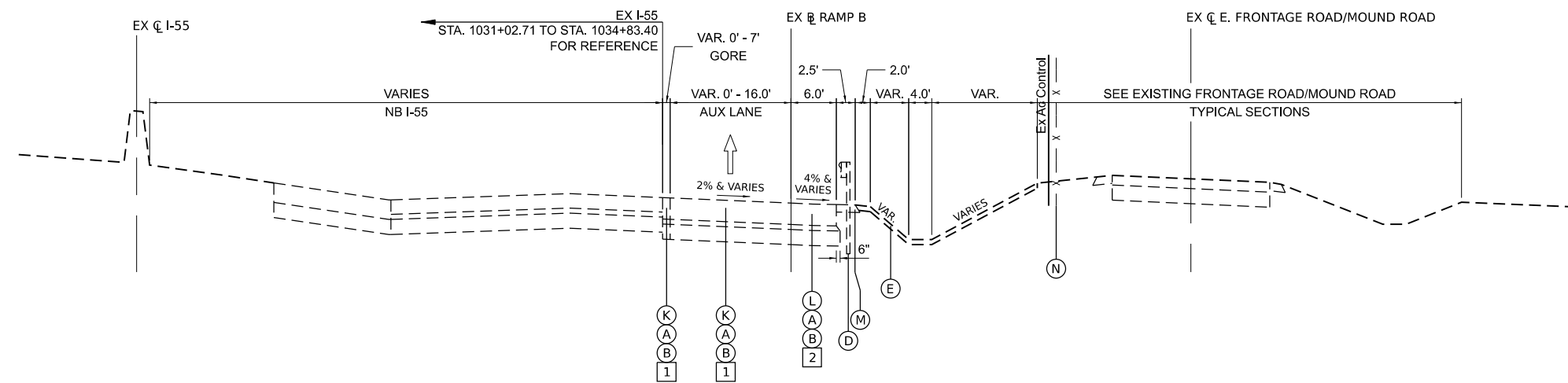
LEGEND

EXISTING TYPICAL SECTION

- (A) EXISTING STABILIZED SUBBASE, 4"±
- (B) EXISTING AGGREGATE SUBGRADE, 12"± (& VARIES)
- (C) EXISTING AGGREGATE SHOULDERS, 6"±
- (D) EXISTING GUARDRAIL
- (E) TOPSOIL EXCAVATION AND PLACEMENT (9" AVERAGE DEPTH TO BE STRIPPED)
- (F) EXISTING PCC PAVEMENT, 11 1/2"±
- (G) EXISTING PCC SHOULDERS, 11 1/2"±
- (H) EXISTING CONTINUOUSLY REINFORCED PORTLAND CEMENT CONCRETE PAVEMENT, 11"±
- (I) EXISTING PCC SHOULDERS, 11"±
- (J) EXISTING HOT-MIX ASPHALT PAVEMENT, FULL DEPTH, 9"±
- (K) EXISTING BITUMINOUS CONCRETE PAVEMENT, 17"±
- (L) EXISTING BITUMINOUS SHOULDERS, 17"±
- (M) EXISTING BITUMINOUS SHOULDERS, 6"±
- (N) EXISTING ACCESS CONTROL FENCE

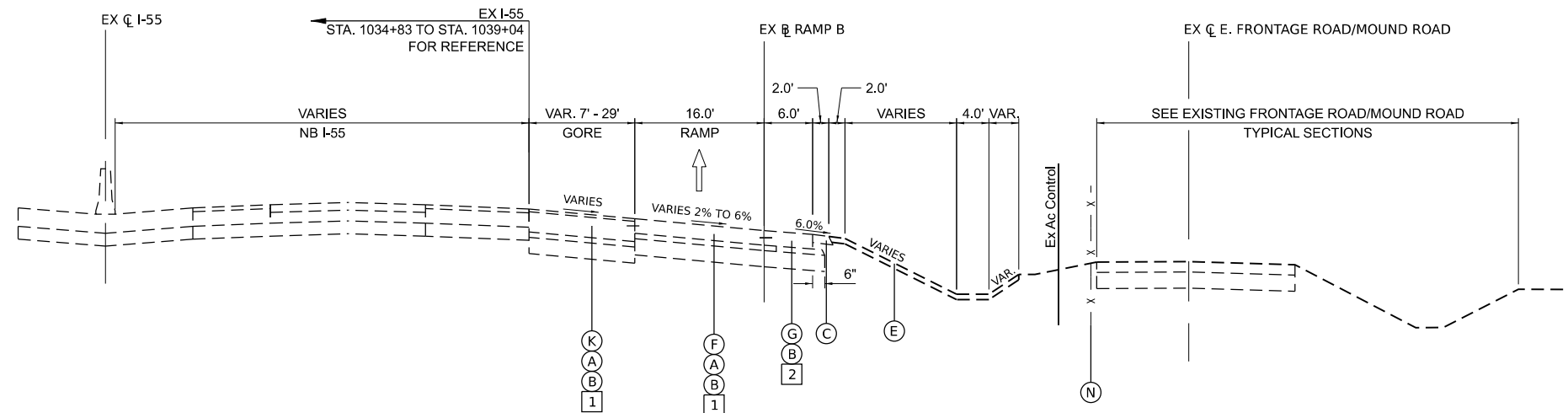
REMOVAL ITEMS

- 1 PAVEMENT REMOVAL
- 2 PAVED SHOULDER REMOVAL



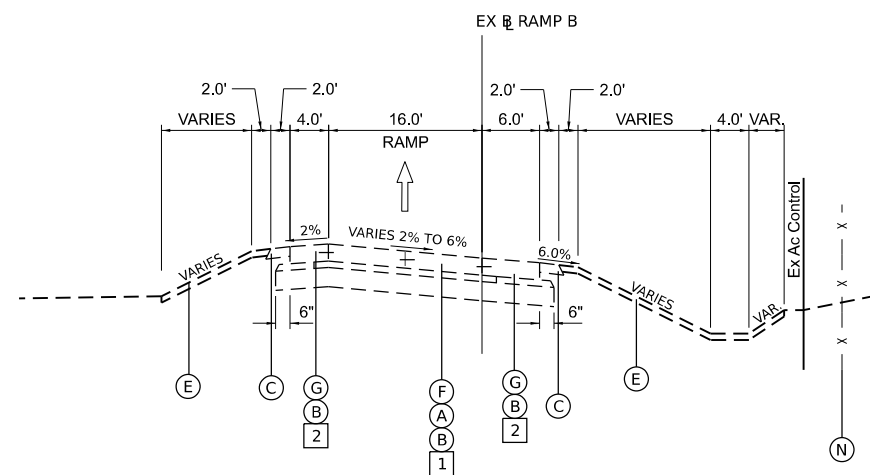
EXISTING NB I-55 AUXILIARY LANE (RAMP B)

LOOKING NORTH
EX RAMP B STA. 0+00.00 TO STA. 3+79.00



EXISTING RAMP B

LOOKING NORTH
EX RAMP B STA. 3+79.00 TO STA. 8+00.00



EXISTING RAMP B

LOOKING NORTH
EX RAMP B STA. 8+00.00 TO STA. 27+25.00

MODEL: Default
 FILE NAME: p:\transys\transys\scorp\p1\hosted\Documents\Projects_2018\CH401\401180022\01-States\CAD\INT-02_62R26\04-Sheet\02-Roadway\02-62R26-shl-typl-002.dgn



USER NAME	▀ Ibusansky	DESIGNED	-	REVISED	-
		DRAWN	-	REVISED	-
PLOT SCALE	= 20.0000' / in.	CHECKED	-	REVISED	-
PLOT DATE	= 1/16/2024	DATE	-	REVISED	-

**STATE OF ILLINOIS
DEPARTMENT OF TRANSPORTATION**

TYPICAL SECTIONS

SCALE: SHEET 2 OF 15 SHEETS STA. TO STA.

F.A.I. RTE.	SECTION	COUNTY	TOTAL SHEETS	SHEET NO.
I-80	FAI 80 21 STRUCTURE 5	WILL	302	15
			CONTRACT NO. 62R26	
		ILLINOIS FED. AID PROJECT		

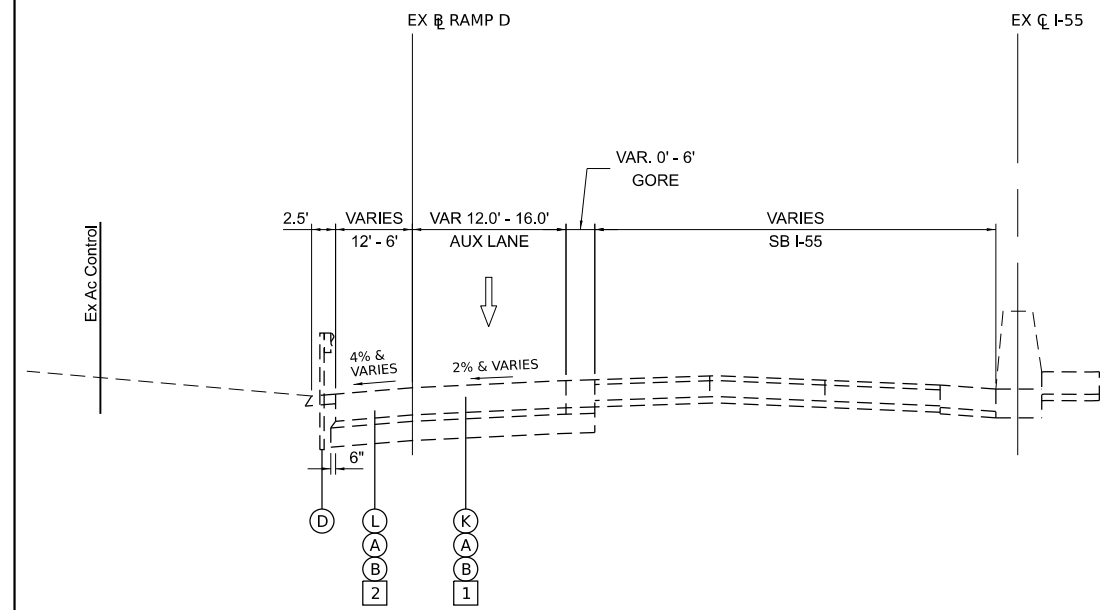
LEGEND

EXISTING TYPICAL SECTION

- (A) EXISTING STABILIZED SUBBASE, 4"±
- (B) EXISTING AGGREGATE SUBGRADE, 12"± (& VARIES)
- (C) EXISTING AGGREGATE SHOULDERS, 6"±
- (D) EXISTING GUARDRAIL
- (E) TOPSOIL EXCAVATION AND PLACEMENT (9" AVERAGE DEPTH TO BE STRIPPED)
- (F) EXISTING PCC PAVEMENT, 11 1/2"±
- (G) EXISTING PCC SHOULDERS, 11 1/2"±
- (H) EXISTING CONTINUOUSLY REINFORCED PORTLAND CEMENT CONCRETE PAVEMENT, 11"±
- (I) EXISTING PCC SHOULDERS, 11"±
- (J) EXISTING HOT-MIX ASPHALT PAVEMENT, FULL DEPTH, 9"±
- (K) EXISTING BITUMINOUS CONCRETE PAVEMENT, 17"±
- (L) EXISTING BITUMINOUS SHOULDERS, 17"±
- (M) EXISTING BITUMINOUS SHOULDERS, 6"±
- (N) EXISTING ACCESS CONTROL FENCE

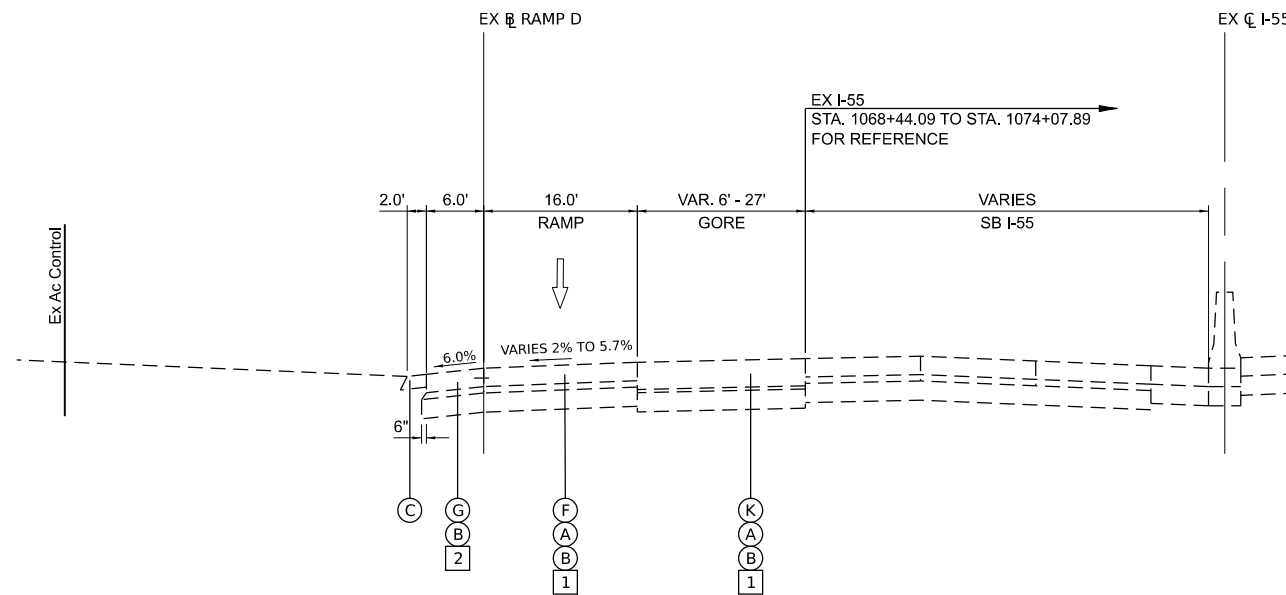
REMOVAL ITEMS

- [1] PAVEMENT REMOVAL
- [2] PAVED SHOULDER REMOVAL



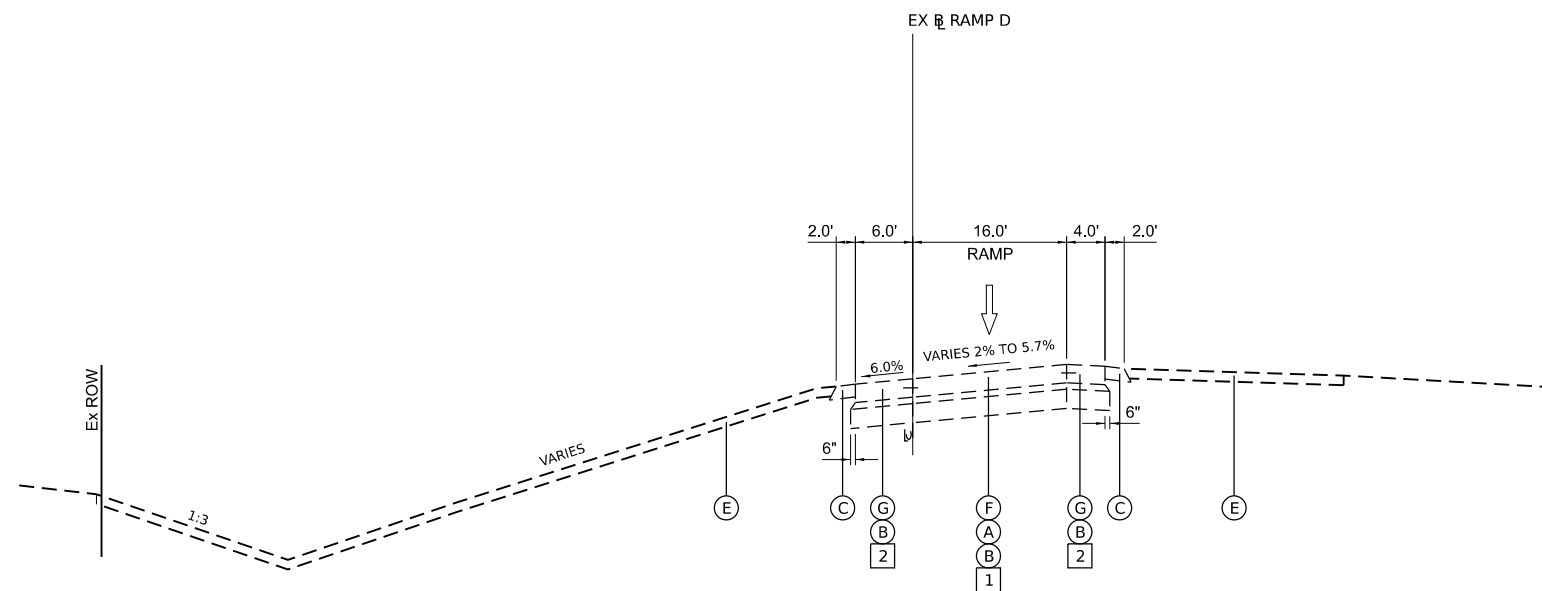
EXISTING SB I-55 AUXILIARY LANE (RAMP D)

LOOKING NORTH
 EX I-55 STA. 1075+47.07 TO STA. 1092+53.12
 EX RAMP D STA. 0+00.00 TO STA. 1+38.00



EXISTING RAMP D

LOOKING NORTH
 EX RAMP D STA. 1+38.00 TO STA. 4+48.00



EXISTING RAMP D

LOOKING NORTH
 EX RAMP D STA. 4+48.00 TO STA. 21+39.29

MODEL: Default
 FILE NAME: p:\projects\transystems-pw-bentley.com\transystems\scorp-pw1-hosted\Documents\Projects_2018\C40140118002201-Stantec\CAD\INT-02_62R26\04-Sheet\02-ROADWAY\02-62R26-elt-ypk-d-003.dgn



USER NAME	ibusansky	DESIGNED	-	REVISED	-
DRAWN	-	REVISIONS	-	REVISIONS	-
PLOT SCALE	= 20.0000" / in.	CHECKED	-	REVISIONS	-
PLOT DATE	= 1/16/2024	DATE	-	REVISIONS	-

**STATE OF ILLINOIS
 DEPARTMENT OF TRANSPORTATION**

TYPICAL SECTIONS

SCALE: SHEET 3 OF 15 SHEETS STA. TO STA.

F.A.I. RTE.	SECTION	COUNTY	TOTAL SHEETS	SHEET NO.
I-80	FAI 80 21 STRUCTURE 5	WILL	302	16
CONTRACT NO. 62R26			ILLINOIS FED. AID PROJECT	

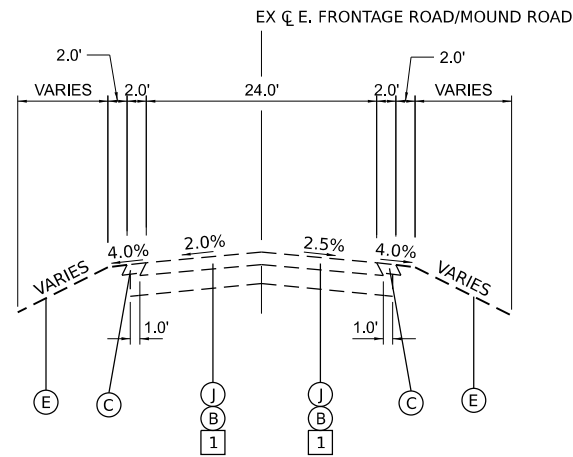
LEGEND

EXISTING TYPICAL SECTION

- (A) EXISTING STABILIZED SUBBASE, 4"±
- (B) EXISTING AGGREGATE SUBGRADE, 12"± (& VARIES)
- (C) EXISTING AGGREGATE SHOULDERS, 6"±
- (D) EXISTING GUARDRAIL
- (E) TOPSOIL EXCAVATION AND PLACEMENT (9" AVERAGE DEPTH TO BE STRIPPED)
- (F) EXISTING PCC PAVEMENT, 11 1/2"±
- (G) EXISTING PCC SHOULDERS, 11 1/2"±
- (H) EXISTING CONTINUOUSLY REINFORCED PORTLAND CEMENT CONCRETE PAVEMENT, 11"±
- (I) EXISTING PCC SHOULDERS, 11"±
- (J) EXISTING HOT-MIX ASPHALT PAVEMENT, FULL DEPTH, 9"±
- (K) EXISTING BITUMINOUS CONCRETE PAVEMENT, 17"±
- (L) EXISTING BITUMINOUS SHOULDERS, 17" ±
- (M) EXISTING BITUMINOUS SHOULDERS, 6" ±
- (N) EXISTING ACCESS CONTROL FENCE

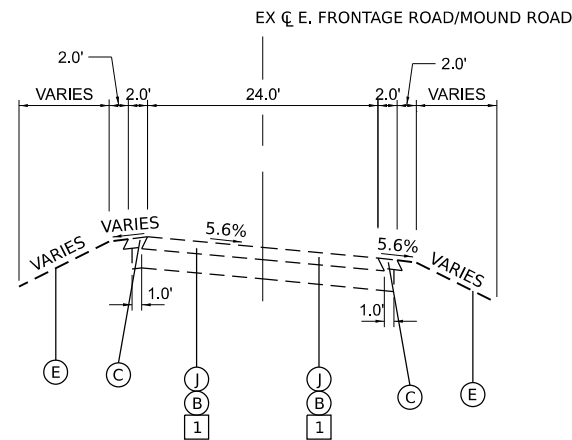
REMOVAL ITEMS

- [1] PAVEMENT REMOVAL
- [2] PAVED SHOULDER REMOVAL



EXISTING E. FRONTAGE ROAD/MOUND ROAD

STA. 104+91.09 TO STA. 117+85.00
 STA. 123+10.00 TO STA. 128+80.00
 STA. 134+85.00 TO STA. 138+03.50



EXISTING E. FRONTAGE ROAD/MOUND ROAD

FULL SUPER
 STA. 117+85.00 TO STA. 123+10.00
 STA. 128+80.00 TO STA. 134+85.00

MODEL: D:\default...
 FILE NAME: p:\transysystems\pwr\kentley.com\transys\scorp\pwr\hosted\Documents\Projects_2018\C401\401180022\01_Sbmtsc\CAD\INT-02_62R26\04_Sbmtsc\02_Roadway\02_62R26-shl-ty\pdr\04.dgn



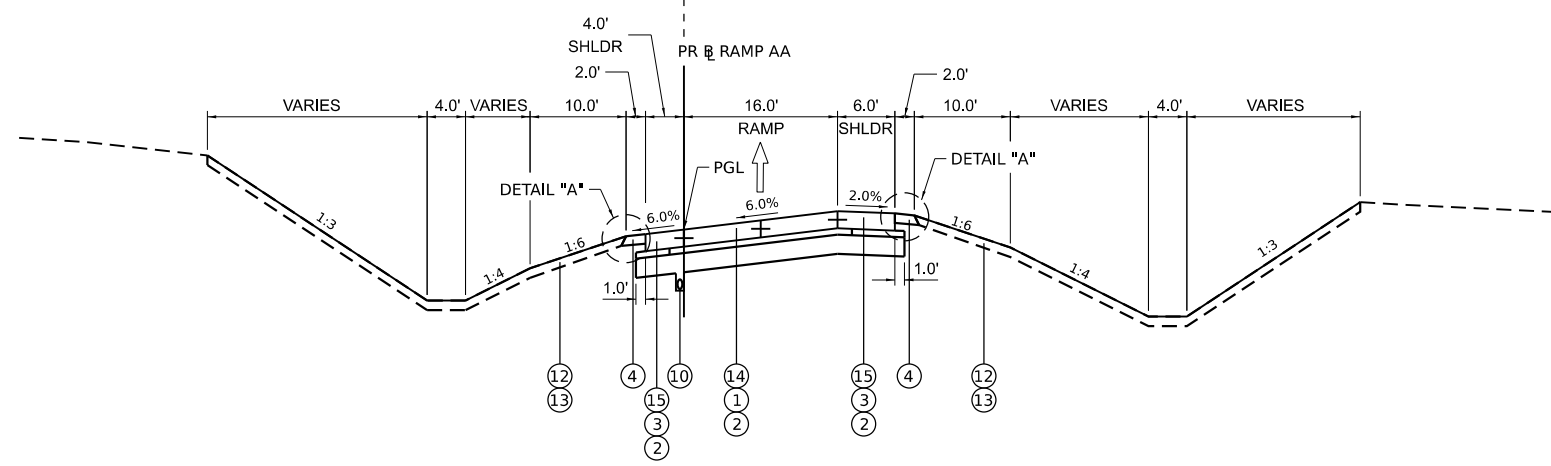
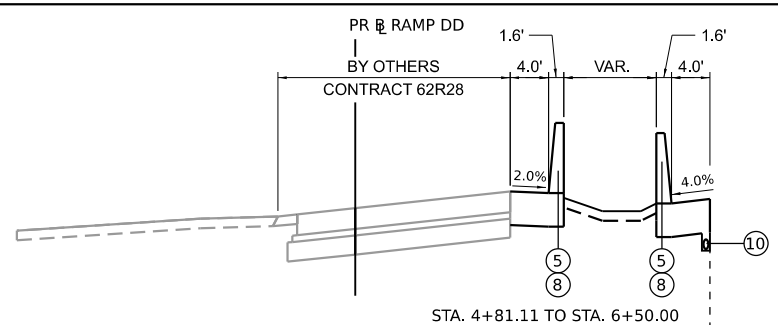
USER NAME	▀ Ibusansky	DESIGNED	-	REVISED	-
DRAWN	-	REVISIONS	-	REVISIONS	-
PLOT SCALE	▀ 20.0000' / in.	CHECKED	-	REVISIONS	-
PLOT DATE	▀ 1/16/2024	DATE	-	REVISIONS	-

**STATE OF ILLINOIS
 DEPARTMENT OF TRANSPORTATION**

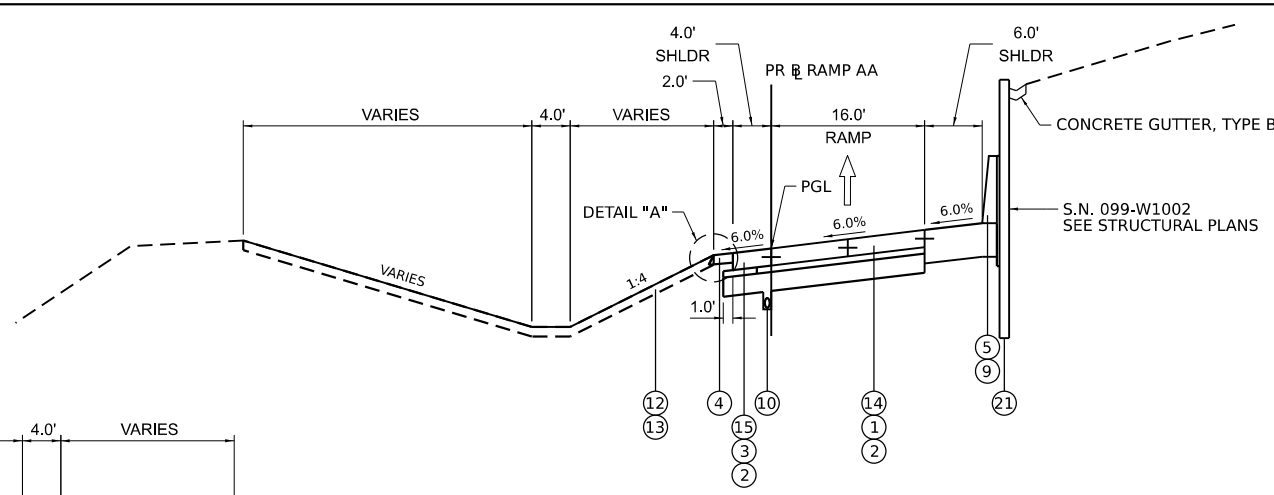
TYPICAL SECTIONS

SCALE: SHEET 4 OF 15 SHEETS STA. TO STA.

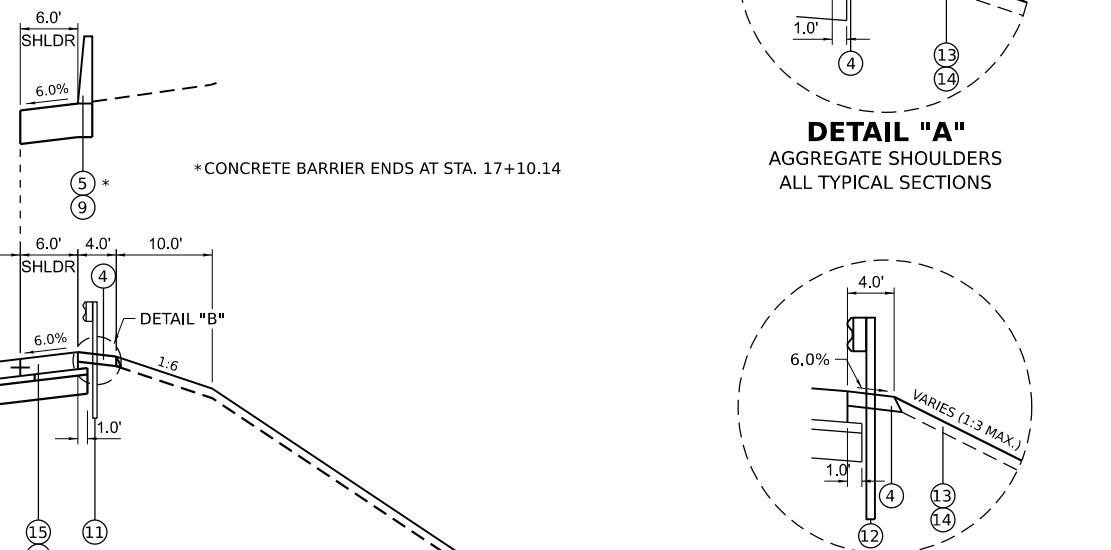
F.A.I. RTE.	SECTION	COUNTY	TOTAL SHEETS	SHEET NO.
I-80	FAI 80 21 STRUCTURE 5	WILL	302	17
			CONTRACT NO. 62R26	
		ILLINOIS	FED. AID PROJECT	



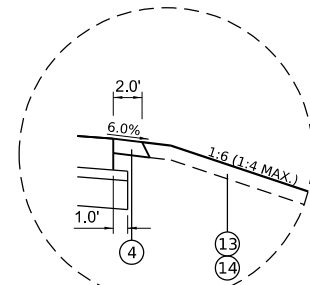
PROPOSED RAMP AA
LOOKING SOUTH
PR RAMP AA STA. 4+81.11 TO STA. 13+97.44



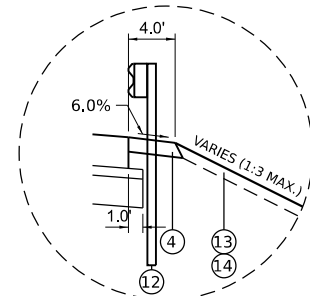
PROPOSED RAMP AA
LOOKING SOUTH
PR RAMP AA STA. 13+97.44 TO STA. 16+37.61



PROPOSED RAMP AA
LOOKING SOUTH
PR RAMP AA STA. 16+37.61 TO STA. 27+31.49
BRIDGE OMISSION STA. 22+90.55 TO STA. 25+38.46



DETAIL "A"
AGGREGATE SHOULDERS
ALL TYPICAL SECTIONS



DETAIL "B"
STEEL PLATE BEAM GUARDRAIL

- LEGEND**
- PROPOSED TYPICAL SECTION**
- ① STABILIZED SUBBASE - HOT-MIX ASPHALT, 4"
 - ② AGGREGATE SUBGRADE IMPROVEMENT 12"
 - ③ SUBBASE GRANULAR MATERIAL, TYPE C 4"
 - ④ AGGREGATE SHOULDERS, TYPE B 6"
 - ⑤ CONCRETE BARRIER, SINGLE FACE, SPECIAL 44 INCH HEIGHT
 - ⑥ CONCRETE BARRIER, SINGLE FACE, 44 INCH HEIGHT
 - ⑦ CONCRETE BARRIER BASE (SPECIAL NO. 3)
 - ⑧ CONCRETE BARRIER BASE (SPECIAL NO. 1)
 - ⑨ CONCRETE BARRIER BASE (SPECIAL NO. 2)
 - ⑩ PIPE UNDERDRAINS (SEE DRAINAGE PLANS FOR LOCATION)
 - ⑪ STEEL PLATE BEAM GUARDRAIL, TYPE A, 6 FOOT POSTS
 - ⑫ SEEDING (SEE LANDSCAPE PLANS FOR CLASS)
 - ⑬ TOPSOIL EXCAVATION AND PLACEMENT (6" DEPTH TO BE PLACED)
 - ⑭ PORTLAND CEMENT CONCRETE PAVEMENT 10 3/4" (JOINTED)
 - ⑮ PORTLAND CEMENT CONCRETE SHOULDERS 10 3/4"
 - ⑯ CONTINUOUSLY REINFORCED PORTLAND CEMENT CONCRETE PAVEMENT 11"
 - ⑰ PORTLAND CEMENT CONCRETE SHOULDERS 11"
 - ⑱ HOT-MIX ASPHALT PAVEMENT (FULL-DEPTH), 7 3/4"
 - ⑲ HOT-MIX ASPHALT PAVEMENT (FULL-DEPTH), 15"
 - ⑳ HOT-MIX ASPHALT SHOULDERS, 15"
 - ㉑ PROPOSED RETAINING WALL (SEE STRUCTURAL PLANS)
 - ㉒ PROPOSED BRIDGE PIER OR SLOPEWALL (SEE STRUCTURAL PLANS)

NOTE A. TIE BARS LOCATED WITHIN THE JOINTED RAMP PAVEMENT ARE INCLUDED IN THE CONTRACT UNIT PRICE FOR PORTLAND CEMENT CONCRETE PAVEMENT 10 3/4"

TIE BARS BETWEEN RAMP PAVEMENT AND PCC SHOULDER ARE INCLUDED IN THE CONTRACT UNIT PRICE FOR PORTLAND CEMENT CONCRETE SHOULDERS 10 3/4"

NOTE B. PAY ITEMS 4200516 PVT 10 3/4" (JOINTD) & 48300515 PCC SHOULDERS 10 3/4" SHALL BE CONSTRUCTED FOLLOWING THE EXTENDED LIFE CONCRETE PAVEMENT SPECIAL PROVISION

NOTE C. SEE SUPERELEVATION TRANSITION DETAILS FOR ADDITIONAL PAVEMENT CROSS SLOPE INFORMATION

MODEL: Default
 FILE NAME: p:\projects\transystems-pw-bentley.com\transystems\pvt\hatched\Documents\Projects_2018\C440140118002201-Stantec\CAD\INT-02_62R26\04-sheet\02-roadway\02_62R26-shl-tyr\pdr\005.dgn



USER NAME	ibusansky	DESIGNED	-	REVISED	-
DRAWN	-	REVISION	-	REVISION	-
PLOT SCALE	= 20.0000" / in.	CHECKED	-	REVISION	-
PLOT DATE	= 1/16/2024	DATE	-	REVISION	-

STATE OF ILLINOIS
DEPARTMENT OF TRANSPORTATION

TYPICAL SECTIONS

SCALE: SHEET 5 OF 15 SHEETS STA. TO STA.

F.A.I. RTE.	SECTION	COUNTY	TOTAL SHEETS	SHEET NO.
I-80	FAI 80 21 STRUCTURE 5	WILL	302	18
ILLINOIS FED. AID PROJECT			CONTRACT NO. 62R26	

LEGEND

PROPOSED TYPICAL SECTION

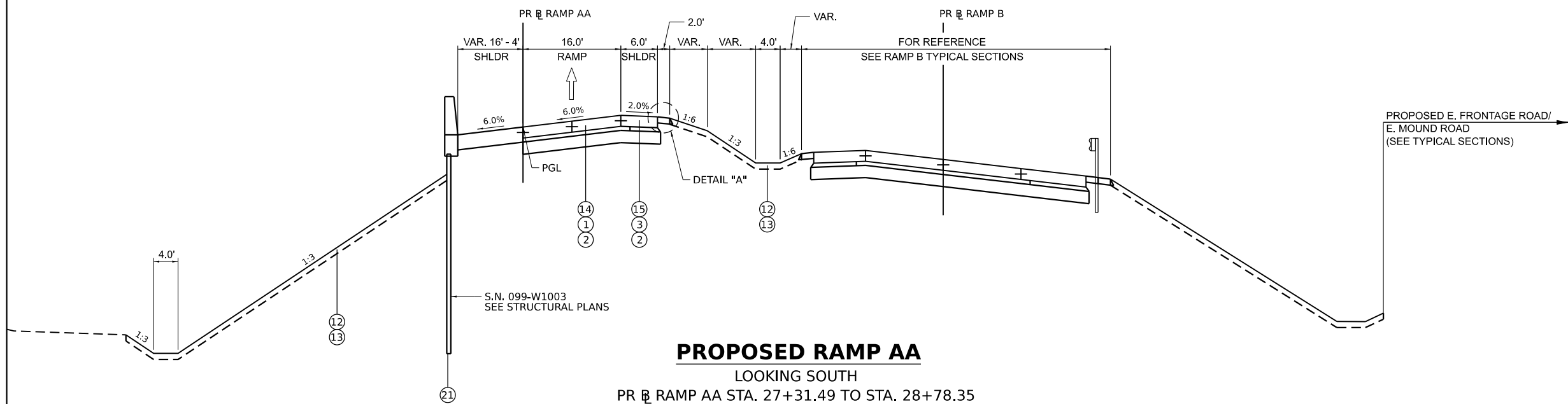
- ① STABILIZED SUBBASE - HOT-MIX ASPHALT, 4"
- ② AGGREGATE SUBGRADE IMPROVEMENT 12"
- ③ SUBBASE GRANULAR MATERIAL, TYPE C 4"
- ④ AGGREGATE SHOULDERS, TYPE B 6"
- ⑤ CONCRETE BARRIER, SINGLE FACE, SPECIAL 44 INCH HEIGHT
- ⑥ CONCRETE BARRIER, SINGLE FACE, 44 INCH HEIGHT
- ⑦ CONCRETE BARRIER BASE (SPECIAL NO. 3)
- ⑧ CONCRETE BARRIER BASE (SPECIAL NO. 1)
- ⑨ CONCRETE BARRIER BASE (SPECIAL NO. 2)
- ⑩ PIPE UNDERDRAINS (SEE DRAINAGE PLANS FOR LOCATION)
- ⑪ STEEL PLATE BEAM GUARDRAIL, TYPE A, 6 FOOT POSTS
- ⑫ SEEDING (SEE LANDSCAPE PLANS FOR CLASS)
- ⑬ TOPSOIL EXCAVATION AND PLACEMENT (6" DEPTH TO BE PLACED)
- ⑭ PORTLAND CEMENT CONCRETE PAVEMENT 10 3/4" (JOINTED)
- ⑮ PORTLAND CEMENT CONCRETE SHOULDERS 10 3/4"
- ⑯ CONTINUOUSLY REINFORCED PORTLAND CEMENT CONCRETE PAVEMENT 11"
- ⑰ PORTLAND CEMENT CONCRETE SHOULDERS 11"
- ⑱ HOT-MIX ASPHALT PAVEMENT (FULL-DEPTH), 7 3/4"
- ⑲ HOT-MIX ASPHALT PAVEMENT (FULL-DEPTH), 15"
- ⑳ HOT-MIX ASPHALT SHOULDERS, 15"
- ㉑ PROPOSED RETAINING WALL (SEE STRUCTURAL PLANS)
- ㉒ PROPOSED BRIDGE PIER OR SLOPEWALL (SEE STRUCTURAL PLANS)

NOTE A. TIE BARS LOCATED WITHIN THE JOINTED RAMP PAVEMENT ARE INCLUDED IN THE CONTRACT UNIT PRICE FOR PORTLAND CEMENT CONCRETE PAVEMENT 10 3/4"

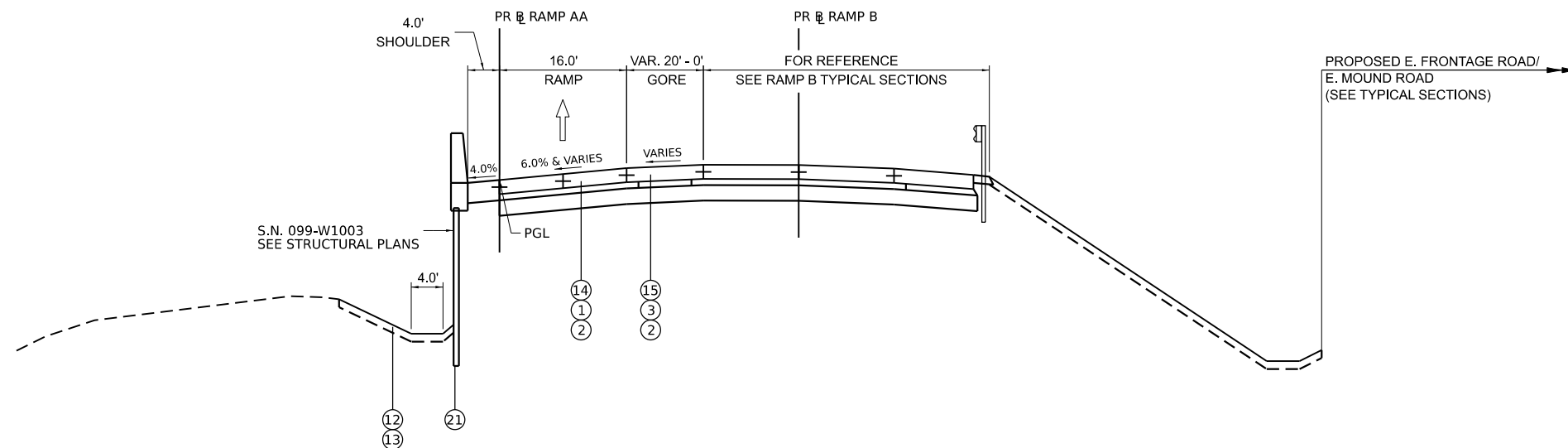
TIE BARS BETWEEN RAMP PAVEMENT AND PCC SHOULDER ARE INCLUDED IN THE CONTRACT UNIT PRICE FOR PORTLAND CEMENT CONCRETE SHOULDERS 10 3/4"

NOTE B. PAY ITEMS 4200516 PVT 10 3/4" (JOINTD) & 48300515 PCC SHOULDERS 10 3/4" SHALL BE CONSTRUCTED FOLLOWING THE EXTENDED LIFE CONCRETE PAVEMENT SPECIAL PROVISION

NOTE C. SEE SUPERELEVATION TRANSITION DETAILS FOR ADDITIONAL PAVEMENT CROSS SLOPE INFORMATION



PROPOSED RAMP AA
LOOKING SOUTH
PR RAMP AA STA. 27+31.49 TO STA. 28+78.35



PROPOSED RAMP AA
LOOKING SOUTH
PR RAMP AA STA. 28+78.35 TO STA. 35+54.50

MODEL: Default
FILE NAME: p:\projects\transystems-pw-bentley.com\transystems\scorp-pw1-hosted\Documents\Projects_2018\CH401\401180022\01-Struct\CAD\INT-02_62R26\04-Sheet\02-Roadway\02-62R26-shl-tyr\pdr\06.dgn



USER NAME	ibusansky	DESIGNED	-	REVISED	-
DRAWN	-	REVISIONS	-	REVISIONS	-
PLOT SCALE	20,0000' / in.	CHECKED	-	REVISIONS	-
PLOT DATE	1/16/2024	DATE	-	REVISIONS	-

**STATE OF ILLINOIS
DEPARTMENT OF TRANSPORTATION**

TYPICAL SECTIONS

SCALE: SHEET 6 OF 15 SHEETS STA. TO STA.

F.A.I. RTE.	SECTION	COUNTY	TOTAL SHEETS	SHEET NO.
I-80	FAI 80 21 STRUCTURE 5	WILL	302	19
CONTRACT NO. 62R26			ILLINOIS FED. AID PROJECT	

LEGEND

PROPOSED TYPICAL SECTION

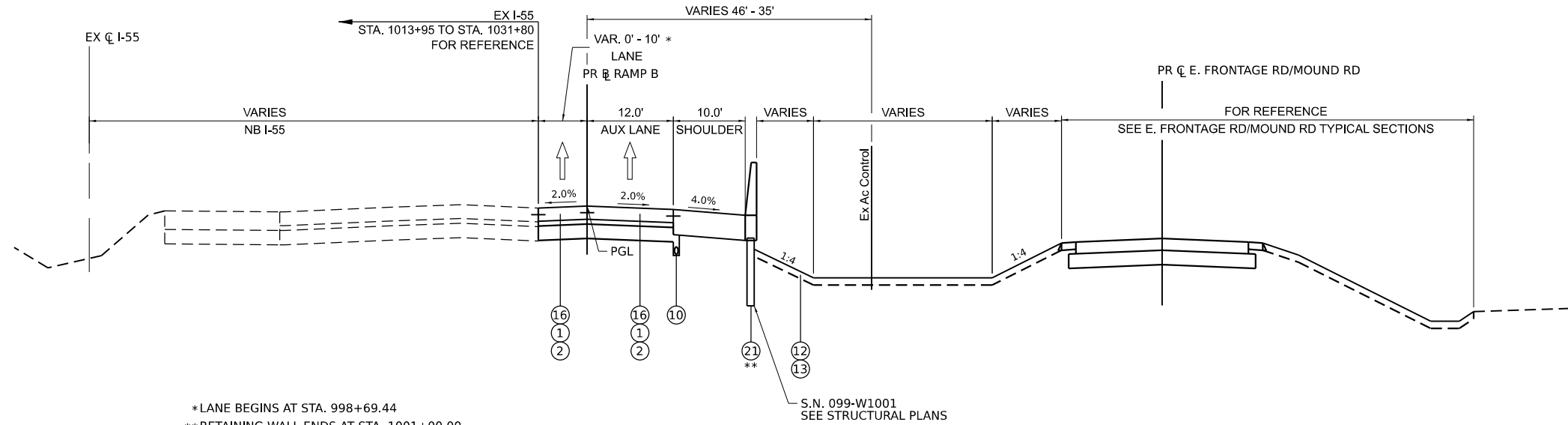
- ① STABILIZED SUBBASE - HOT-MIX ASPHALT, 4"
- ② AGGREGATE SUBGRADE IMPROVEMENT 12"
- ③ SUBBASE GRANULAR MATERIAL, TYPE C 4"
- ④ AGGREGATE SHOULDERS, TYPE B 6"
- ⑤ CONCRETE BARRIER, SINGLE FACE, SPECIAL 44 INCH HEIGHT
- ⑥ CONCRETE BARRIER, SINGLE FACE, 44 INCH HEIGHT
- ⑦ CONCRETE BARRIER BASE (SPECIAL NO. 3)
- ⑧ CONCRETE BARRIER BASE (SPECIAL NO. 1)
- ⑨ CONCRETE BARRIER BASE (SPECIAL NO. 2)
- ⑩ PIPE UNDERDRAINS (SEE DRAINAGE PLANS FOR LOCATION)
- ⑪ STEEL PLATE BEAM GUARDRAIL, TYPE A, 6 FOOT POSTS
- ⑫ SEEDING (SEE LANDSCAPE PLANS FOR CLASS)
- ⑬ TOPSOIL EXCAVATION AND PLACEMENT (6" DEPTH TO BE PLACED)
- ⑭ PORTLAND CEMENT CONCRETE PAVEMENT 10 3/4" (JOINTED)
- ⑮ PORTLAND CEMENT CONCRETE SHOULDERS 10 3/4"
- ⑯ CONTINUOUSLY REINFORCED PORTLAND CEMENT CONCRETE PAVEMENT 11"
- ⑰ PORTLAND CEMENT CONCRETE SHOULDERS 11"
- ⑱ HOT-MIX ASPHALT PAVEMENT (FULL-DEPTH), 7 3/4"
- ⑲ HOT-MIX ASPHALT PAVEMENT (FULL-DEPTH), 15"
- ⑳ HOT-MIX ASPHALT SHOULDERS, 15"
- ㉑ PROPOSED RETAINING WALL (SEE STRUCTURAL PLANS)
- ㉒ PROPOSED BRIDGE PIER OR SLOPEWALL (SEE STRUCTURAL PLANS)

NOTE A. TIE BARS LOCATED WITHIN THE JOINTED RAMP PAVEMENT ARE INCLUDED IN THE CONTRACT UNIT PRICE FOR PORTLAND CEMENT CONCRETE PAVEMENT 10 3/4"

TIE BARS BETWEEN RAMP PAVEMENT AND PCC SHOULDER ARE INCLUDED IN THE CONTRACT UNIT PRICE FOR PORTLAND CEMENT CONCRETE SHOULDERS 10 3/4"

NOTE B. PAY ITEMS 4200516 PVT 10 3/4" (JOINTD) & 48300515 PCC SHOULDERS 10 3/4" SHALL BE CONSTRUCTED FOLLOWING THE EXTENDED LIFE CONCRETE PAVEMENT SPECIAL PROVISION

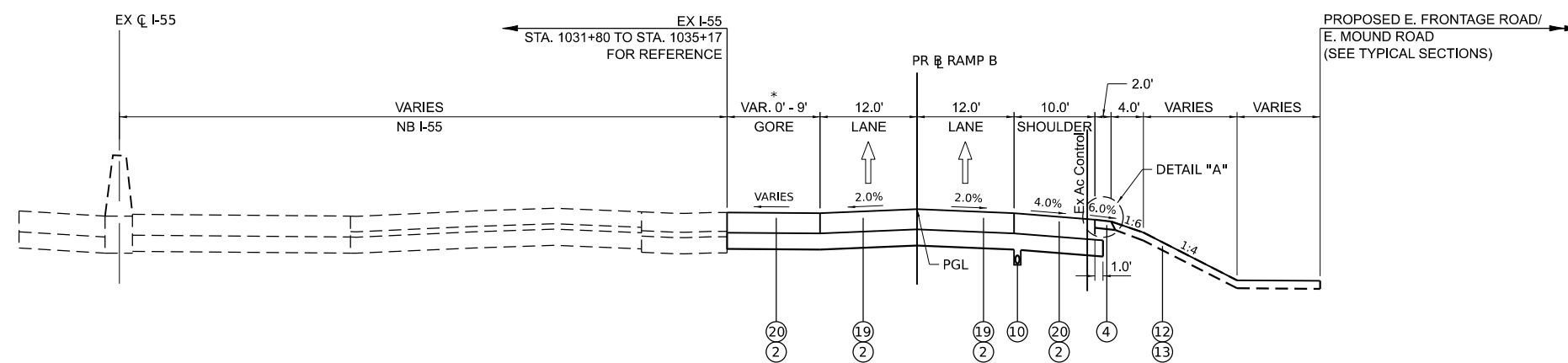
NOTE C. SEE SUPERELEVATION TRANSITION DETAILS FOR ADDITIONAL PAVEMENT CROSS SLOPE INFORMATION



*LANE BEGINS AT STA. 998+69.44
 **RETAINING WALL ENDS AT STA. 1001+00.00

PROPOSED NB I-55 AUXILIARY LANE (RAMP B)

LOOKING NORTH
 PR RAMP B STA. 982+94.06 TO STA. 1000+80.00



* GORE BEGINS AT STA. 1001+19.24

PROPOSED NB I-55 AUXILIARY LANE (RAMP B)

LOOKING NORTH
 PR RAMP B STA. 1000+80.00 TO STA. 1004+15.28

MODEL: Default
 FILE NAME: p:\projects\systems\p\ibentley.com\transys\corp\p\1\hosted\Documents\Projects_2018\CH401\401180022\01-Stantec\CAD\INT-02_62R26\04-sheet\02-ROADWAY\02-ROADWAY\02-ROADWAY\02-ROADWAY\02-ROADWAY.dgn



USER NAME	ibusansky	DESIGNED	-	REVISED	-
DRAWN	-	REVISIONS	-	REVISIONS	-
PLOT SCALE	20,0000' / in.	CHECKED	-	REVISIONS	-
PLOT DATE	1/16/2024	DATE	-	REVISIONS	-

**STATE OF ILLINOIS
 DEPARTMENT OF TRANSPORTATION**

TYPICAL SECTIONS

SCALE: SHEET 7 OF 15 SHEETS STA. TO STA.

F.A.I. RTE.	SECTION	COUNTY	TOTAL SHEETS	SHEET NO.
I-80	FAI 80 21 STRUCTURE 5	WILL	302	20
CONTRACT NO. 62R26			ILLINOIS FED. AID PROJECT	

LEGEND

PROPOSED TYPICAL SECTION

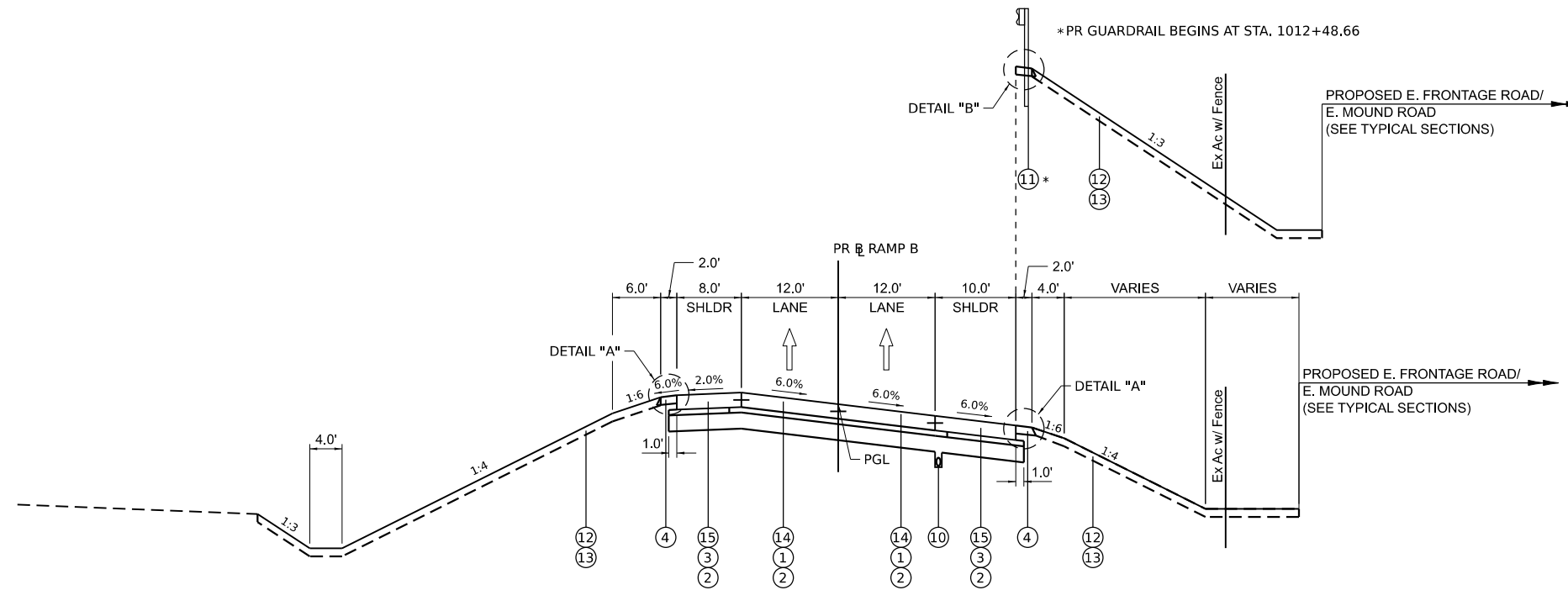
- ① STABILIZED SUBBASE - HOT-MIX ASPHALT, 4"
- ② AGGREGATE SUBGRADE IMPROVEMENT 12"
- ③ SUBBASE GRANULAR MATERIAL, TYPE C 4"
- ④ AGGREGATE SHOULDERS, TYPE B 6"
- ⑤ CONCRETE BARRIER, SINGLE FACE, SPECIAL 44 INCH HEIGHT
- ⑥ CONCRETE BARRIER, SINGLE FACE, 44 INCH HEIGHT
- ⑦ CONCRETE BARRIER BASE (SPECIAL NO. 3)
- ⑧ CONCRETE BARRIER BASE (SPECIAL NO. 1)
- ⑨ CONCRETE BARRIER BASE (SPECIAL NO. 2)
- ⑩ PIPE UNDERDRAINS (SEE DRAINAGE PLANS FOR LOCATION)
- ⑪ STEEL PLATE BEAM GUARDRAIL, TYPE A, 6 FOOT POSTS
- ⑫ SEEDING (SEE LANDSCAPE PLANS FOR CLASS)
- ⑬ TOPSOIL EXCAVATION AND PLACEMENT (6" DEPTH TO BE PLACED)
- ⑭ PORTLAND CEMENT CONCRETE PAVEMENT 10 3/4" (JOINTED)
- ⑮ PORTLAND CEMENT CONCRETE SHOULDERS 10 3/4"
- ⑯ CONTINUOUSLY REINFORCED PORTLAND CEMENT CONCRETE PAVEMENT 11"
- ⑰ PORTLAND CEMENT CONCRETE SHOULDERS 11"
- ⑱ HOT-MIX ASPHALT PAVEMENT (FULL-DEPTH), 7 3/4"
- ⑲ HOT-MIX ASPHALT PAVEMENT (FULL-DEPTH), 15"
- ⑳ HOT-MIX ASPHALT SHOULDERS, 15"
- ㉑ PROPOSED RETAINING WALL (SEE STRUCTURAL PLANS)
- ㉒ PROPOSED BRIDGE PIER OR SLOPEWALL (SEE STRUCTURAL PLANS)

NOTE A. TIE BARS LOCATED WITHIN THE JOINTED RAMP PAVEMENT ARE INCLUDED IN THE CONTRACT UNIT PRICE FOR PORTLAND CEMENT CONCRETE PAVEMENT 10 3/4"

TIE BARS BETWEEN RAMP PAVEMENT AND PCC SHOULDER ARE INCLUDED IN THE CONTRACT UNIT PRICE FOR PORTLAND CEMENT CONCRETE SHOULDERS 10 3/4"

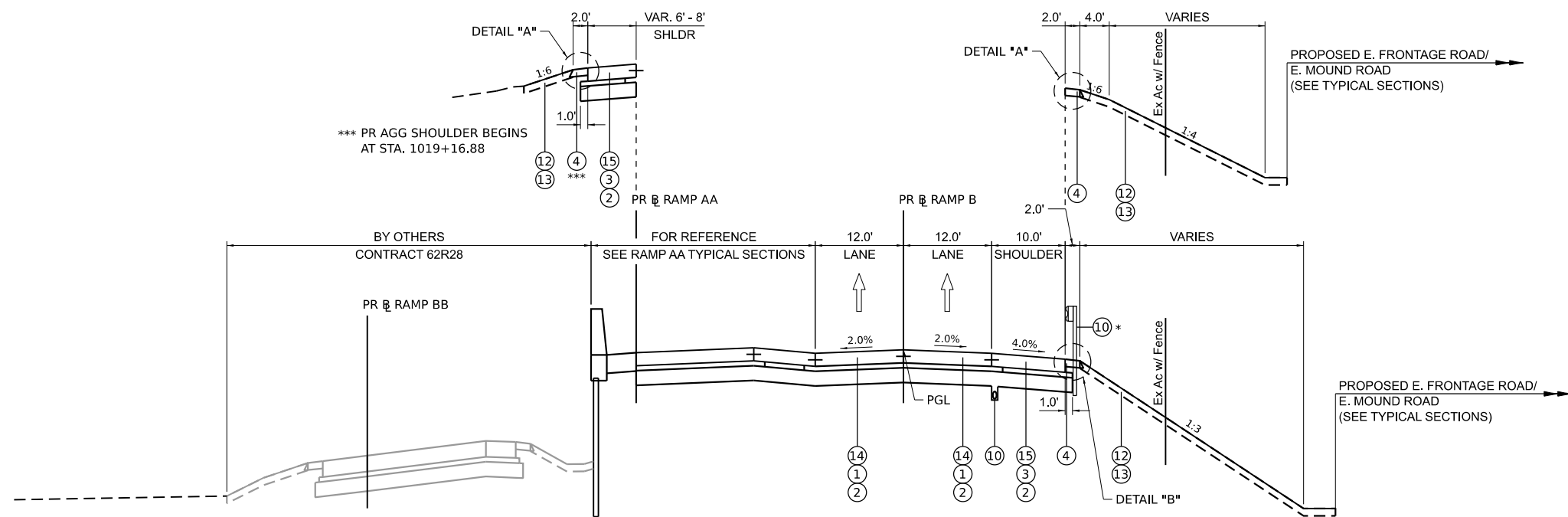
NOTE B. PAY ITEMS 4200516 PVT 10 3/4" (JOINTD) & 48300515 PCC SHOULDERS 10 3/4" SHALL BE CONSTRUCTED FOLLOWING THE EXTENDED LIFE CONCRETE PAVEMENT SPECIAL PROVISION

NOTE C. SEE SUPERELEVATION TRANSITION DETAILS FOR ADDITIONAL PAVEMENT CROSS SLOPE INFORMATION



PROPOSED RAMP B

LOOKING NORTH
PR RAMP B STA. 1004+15.28 TO STA. 1016+37.76



PROPOSED RAMP B

LOOKING NORTH
PR RAMP B STA. 1016+37.76 TO STA. 1021+71.95

MODEL: Default
 FILE NAME: p:\projects\transystems-pw\kentley.com\transystems\scorp-pw\hatched\Documents\Projects_2018\CH401180022\01-States\CAD\INT-02_62R26\04-sheet\02-roadway\02\62R26-shit-ypd\al08.dgn



USER NAME	ibusansky	DESIGNED	-	REVISED	-
DRAWN	-	REVISION	-	REVISION	-
PLOT SCALE	20.0000' / in.	CHECKED	-	REVISION	-
PLOT DATE	1/16/2024	DATE	-	REVISION	-

**STATE OF ILLINOIS
DEPARTMENT OF TRANSPORTATION**

TYPICAL SECTIONS

SCALE: SHEET 8 OF 15 SHEETS STA. TO STA.

F.A.I. RTE.	SECTION	COUNTY	TOTAL SHEETS	SHEET NO.
I-80	FAI 80 21 STRUCTURE 5	WILL	302	21
			CONTRACT NO. 62R26	
		ILLINOIS FED. AID PROJECT		

LEGEND

PROPOSED TYPICAL SECTION

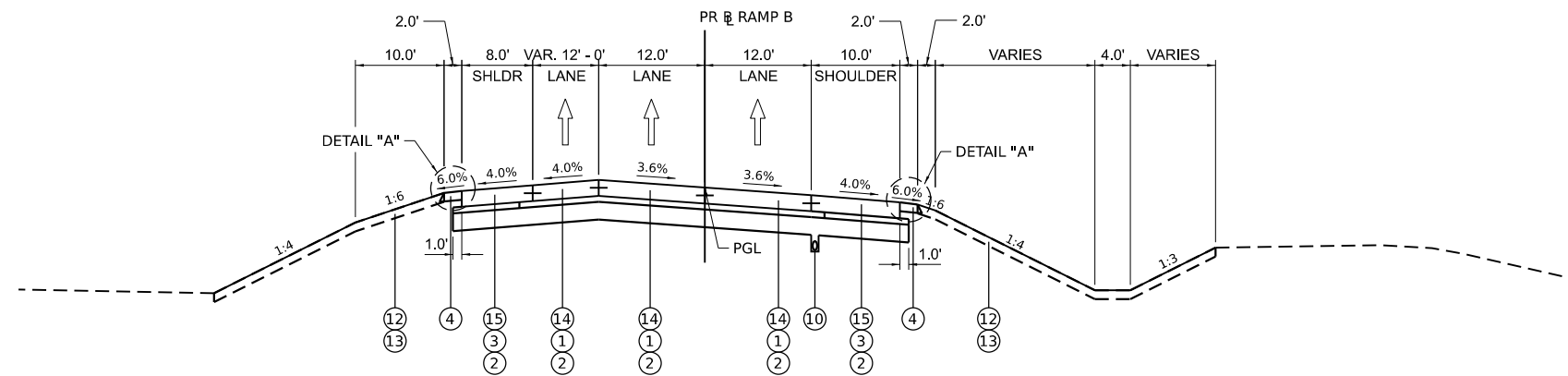
- ① STABILIZED SUBBASE - HOT-MIX ASPHALT, 4"
- ② AGGREGATE SUBGRADE IMPROVEMENT 12"
- ③ SUBBASE GRANULAR MATERIAL, TYPE C 4"
- ④ AGGREGATE SHOULDERS, TYPE B 6"
- ⑤ CONCRETE BARRIER, SINGLE FACE, SPECIAL 44 INCH HEIGHT
- ⑥ CONCRETE BARRIER, SINGLE FACE, 44 INCH HEIGHT
- ⑦ CONCRETE BARRIER BASE (SPECIAL NO. 3)
- ⑧ CONCRETE BARRIER BASE (SPECIAL NO. 1)
- ⑨ CONCRETE BARRIER BASE (SPECIAL NO. 2)
- ⑩ PIPE UNDERDRAINS (SEE DRAINAGE PLANS FOR LOCATION)
- ⑪ STEEL PLATE BEAM GUARDRAIL, TYPE A, 6 FOOT POSTS
- ⑫ SEEDING (SEE LANDSCAPE PLANS FOR CLASS)
- ⑬ TOPSOIL EXCAVATION AND PLACEMENT (6" DEPTH TO BE PLACED)
- ⑭ PORTLAND CEMENT CONCRETE PAVEMENT 10 3/4" (JOINTED)
- ⑮ PORTLAND CEMENT CONCRETE SHOULDERS 10 3/4"
- ⑯ CONTINUOUSLY REINFORCED PORTLAND CEMENT CONCRETE PAVEMENT 11"
- ⑰ PORTLAND CEMENT CONCRETE SHOULDERS 11"
- ⑱ HOT-MIX ASPHALT PAVEMENT (FULL-DEPTH), 7 3/4"
- ⑲ HOT-MIX ASPHALT PAVEMENT (FULL-DEPTH), 15"
- ⑳ HOT-MIX ASPHALT SHOULDERS, 15"
- ㉑ PROPOSED RETAINING WALL (SEE STRUCTURAL PLANS)
- ㉒ PROPOSED BRIDGE PIER OR SLOPEWALL (SEE STRUCTURAL PLANS)

NOTE A. TIE BARS LOCATED WITHIN THE JOINTED RAMP PAVEMENT ARE INCLUDED IN THE CONTRACT UNIT PRICE FOR PORTLAND CEMENT CONCRETE PAVEMENT 10 3/4"

TIE BARS BETWEEN RAMP PAVEMENT AND PCC SHOULDER ARE INCLUDED IN THE CONTRACT UNIT PRICE FOR PORTLAND CEMENT CONCRETE SHOULDERS 10 3/4"

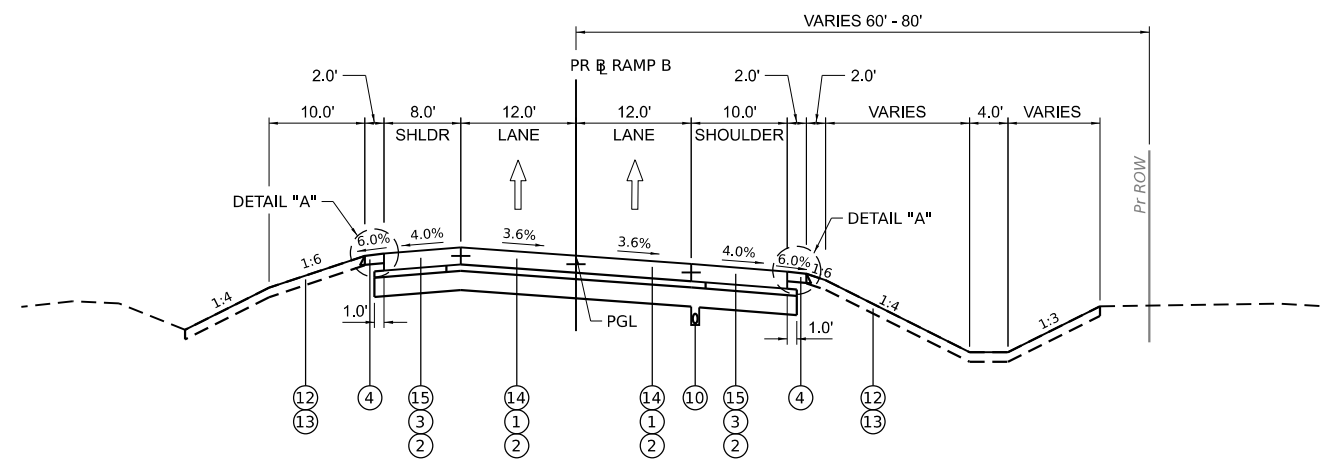
NOTE B. PAY ITEMS 4200516 PVT 10 3/4" (JOINTD) & 4830015 PCC SHOULDERS 10 3/4" SHALL BE CONSTRUCTED FOLLOWING THE EXTENDED LIFE CONCRETE PAVEMENT SPECIAL PROVISION

NOTE C. SEE SUPERELEVATION TRANSITION DETAILS FOR ADDITIONAL PAVEMENT CROSS SLOPE INFORMATION



PROPOSED RAMP B

LOOKING NORTH
PR RAMP B STA. 1021+71.95 TO STA. 1029+71.30



PROPOSED RAMP B

LOOKING NORTH
PR RAMP B STA. 1029+71.30 TO STA. 1033+00.00

MODEL: Default
FILE NAME: p:\projects\transystems-pw-bentley.com\transyscorp\p11-hosted\Documents\Projects_2018\CH401\401180022\01-Share\CAD\INT-02_62R26\04-Sheet\02-Roadway\02-62R26-elt-ty\p11-009.dgn



USER NAME	ibusansky	DESIGNED	-	REVISED	-
		DRAWN	-	REVISED	-
PLOT SCALE	20.0000' / in.	CHECKED	-	REVISED	-
PLOT DATE	1/16/2024	DATE	-	REVISED	-

STATE OF ILLINOIS
DEPARTMENT OF TRANSPORTATION

TYPICAL SECTIONS

SCALE: SHEET 9 OF 15 SHEETS STA. TO STA.

F.A.I. RTE.	SECTION	COUNTY	TOTAL SHEETS	SHEET NO.
I-80	FAI 80 21 STRUCTURE 5	WILL	302	22
CONTRACT NO. 62R26			ILLINOIS FED. AID PROJECT	

LEGEND

PROPOSED TYPICAL SECTION

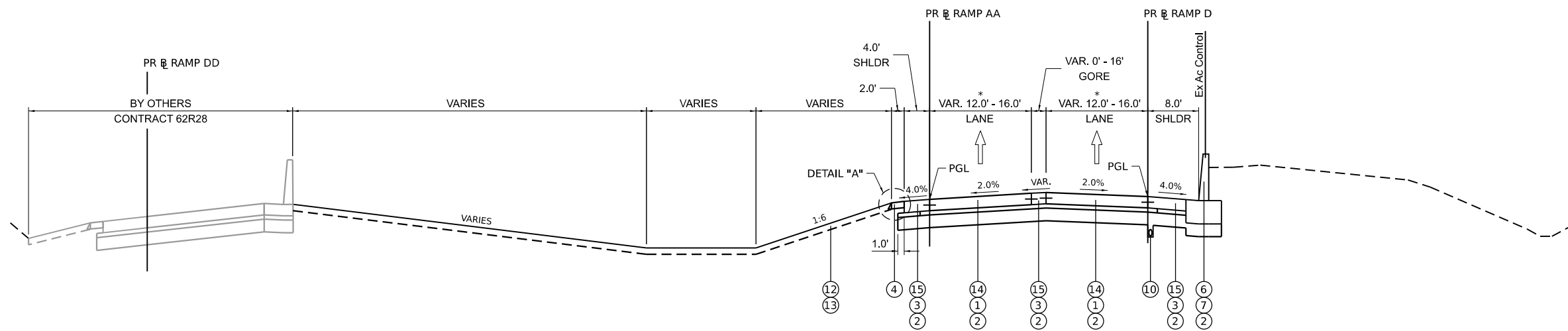
- ① STABILIZED SUBBASE - HOT-MIX ASPHALT, 4"
- ② AGGREGATE SUBGRADE IMPROVEMENT 12"
- ③ SUBBASE GRANULAR MATERIAL, TYPE C 4"
- ④ AGGREGATE SHOULDERS, TYPE B 6"
- ⑤ CONCRETE BARRIER, SINGLE FACE, SPECIAL 44 INCH HEIGHT
- ⑥ CONCRETE BARRIER, SINGLE FACE, 44 INCH HEIGHT
- ⑦ CONCRETE BARRIER BASE (SPECIAL NO. 3)
- ⑧ CONCRETE BARRIER BASE (SPECIAL NO. 1)
- ⑨ CONCRETE BARRIER BASE (SPECIAL NO. 2)
- ⑩ PIPE UNDERDRAINS (SEE DRAINAGE PLANS FOR LOCATION)
- ⑪ STEEL PLATE BEAM GUARDRAIL, TYPE A, 6 FOOT POSTS
- ⑫ SEEDING (SEE LANDSCAPE PLANS FOR CLASS)
- ⑬ TOPSOIL EXCAVATION AND PLACEMENT (6" DEPTH TO BE PLACED)
- ⑭ PORTLAND CEMENT CONCRETE PAVEMENT 10 3/4" (JOINTED)
- ⑮ PORTLAND CEMENT CONCRETE SHOULDERS 10 3/4"
- ⑯ CONTINUOUSLY REINFORCED PORTLAND CEMENT CONCRETE PAVEMENT 11"
- ⑰ PORTLAND CEMENT CONCRETE SHOULDERS 11"
- ⑱ HOT-MIX ASPHALT PAVEMENT (FULL-DEPTH), 7 3/4"
- ⑲ HOT-MIX ASPHALT PAVEMENT (FULL-DEPTH), 15"
- ⑳ HOT-MIX ASPHALT SHOULDERS, 15"
- ㉑ PROPOSED RETAINING WALL (SEE STRUCTURAL PLANS)
- ㉒ PROPOSED BRIDGE PIER OR SLOPEWALL (SEE STRUCTURAL PLANS)

NOTE A. TIE BARS LOCATED WITHIN THE JOINTED RAMP PAVEMENT ARE INCLUDED IN THE CONTRACT UNIT PRICE FOR PORTLAND CEMENT CONCRETE PAVEMENT 10 3/4"

TIE BARS BETWEEN RAMP PAVEMENT AND PCC SHOULDER ARE INCLUDED IN THE CONTRACT UNIT PRICE FOR PORTLAND CEMENT CONCRETE SHOULDERS 10 3/4"

NOTE B. PAY ITEMS 4200516 PVT 10 3/4" (JOINTD) & 48300515 PCC SHOULDERS 10 3/4" SHALL BE CONSTRUCTED FOLLOWING THE EXTENDED LIFE CONCRETE PAVEMENT SPECIAL PROVISION

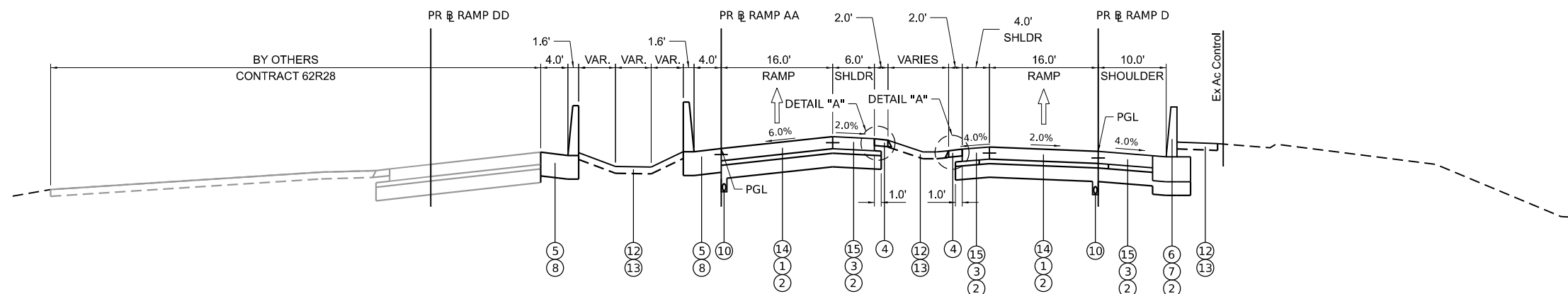
NOTE C. SEE SUPERELEVATION TRANSITION DETAILS FOR ADDITIONAL PAVEMENT CROSS SLOPE INFORMATION



PROPOSED RAMP D

LOOKING SOUTH
PR RAMP D STA. 6+78.95 TO STA. 11+61.97

* LANES TAPER FROM STA. 6+78.95 TO STA. 9+28.05



PROPOSED RAMP D

LOOKING SOUTH
PR RAMP D STA. 11+61.97 TO STA. 12+50.00

MODEL: Default
FILE NAME: p:\transys\transys\scorp\pvt\hosted\Documents\Projects_2018\CH401\401180022\01-Stantec\CAD\INT-02_62R26\04-Sheet\02-Roadway\02-62R26-shl-tyr\pdr\10.dgn



USER NAME	ibusansky	DESIGNED	-	REVISED	-
DRAWN	-	REVISIONS	-	REVISED	-
PLOT SCALE	20,0000' / in.	CHECKED	-	REVISED	-
PLOT DATE	1/16/2024	DATE	-	REVISED	-

STATE OF ILLINOIS
DEPARTMENT OF TRANSPORTATION

TYPICAL SECTIONS

SCALE: SHEET 10 OF 15 SHEETS STA. TO STA.

F.A.I. RTE.	SECTION	COUNTY	TOTAL SHEETS	SHEET NO.
I-80	FAI 80 21 STRUCTURE 5	WILL	302	23
CONTRACT NO. 62R26			ILLINOIS FED. AID PROJECT	

LEGEND

PROPOSED TYPICAL SECTION

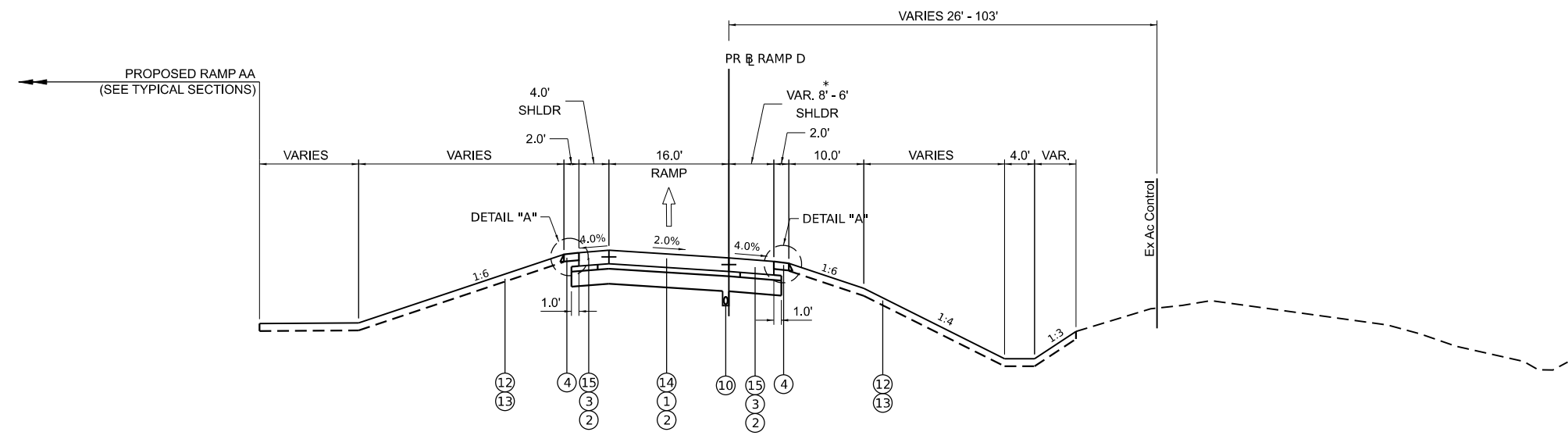
- ① STABILIZED SUBBASE - HOT-MIX ASPHALT, 4"
- ② AGGREGATE SUBGRADE IMPROVEMENT 12"
- ③ SUBBASE GRANULAR MATERIAL, TYPE C 4"
- ④ AGGREGATE SHOULDERS, TYPE B 6"
- ⑤ CONCRETE BARRIER, SINGLE FACE, SPECIAL 44 INCH HEIGHT
- ⑥ CONCRETE BARRIER, SINGLE FACE, 44 INCH HEIGHT
- ⑦ CONCRETE BARRIER BASE (SPECIAL NO. 3)
- ⑧ CONCRETE BARRIER BASE (SPECIAL NO. 1)
- ⑨ CONCRETE BARRIER BASE (SPECIAL NO. 2)
- ⑩ PIPE UNDERDRAINS (SEE DRAINAGE PLANS FOR LOCATION)
- ⑪ STEEL PLATE BEAM GUARDRAIL, TYPE A, 6 FOOT POSTS
- ⑫ SEEDING (SEE LANDSCAPE PLANS FOR CLASS)
- ⑬ TOPSOIL EXCAVATION AND PLACEMENT (6" DEPTH TO BE PLACED)
- ⑭ PORTLAND CEMENT CONCRETE PAVEMENT 10 3/4" (JOINTED)
- ⑮ PORTLAND CEMENT CONCRETE SHOULDERS 10 3/4"
- ⑯ CONTINUOUSLY REINFORCED PORTLAND CEMENT CONCRETE PAVEMENT 11"
- ⑰ PORTLAND CEMENT CONCRETE SHOULDERS 11"
- ⑱ HOT-MIX ASPHALT PAVEMENT (FULL-DEPTH), 7 3/4"
- ⑲ HOT-MIX ASPHALT PAVEMENT (FULL-DEPTH), 15"
- ⑳ HOT-MIX ASPHALT SHOULDERS, 15"
- ㉑ PROPOSED RETAINING WALL (SEE STRUCTURAL PLANS)
- ㉒ PROPOSED BRIDGE PIER OR SLOPEWALL (SEE STRUCTURAL PLANS)

NOTE A. TIE BARS LOCATED WITHIN THE JOINTED RAMP PAVEMENT ARE INCLUDED IN THE CONTRACT UNIT PRICE FOR PORTLAND CEMENT CONCRETE PAVEMENT 10 3/4"

TIE BARS BETWEEN RAMP PAVEMENT AND PCC SHOULDER ARE INCLUDED IN THE CONTRACT UNIT PRICE FOR PORTLAND CEMENT CONCRETE SHOULDERS 10 3/4"

NOTE B. PAY ITEMS 4200516 PVT 10 3/4" (JOINTD) & 48300515 PCC SHOULDERS 10 3/4" SHALL BE CONSTRUCTED FOLLOWING THE EXTENDED LIFE CONCRETE PAVEMENT SPECIAL PROVISION

NOTE C. SEE SUPERELEVATION TRANSITION DETAILS FOR ADDITIONAL PAVEMENT CROSS SLOPE INFORMATION



PROPOSED RAMP D

*SHOULDER TAPERS FROM STA. 12+96.33 TO STA. 13+96.33

LOOKING SOUTH

PR RAMP D STA. 12+50.00 TO STA. 16+00.00

MODEL: Default
 FILE NAME: p:\projects\transystems-pw-bentley.com\transys\corp-pw1-hosted\Documents\Projects_2018\CH401\401180022\01-States\CAD\INT-02_62R26\04-Sheet\02-Roadway\02-62R26-shl-tyr\pkc\01.dgn



USER NAME	ibusansky	DESIGNED	-	REVISED	-
DRAWN	-	CHECKED	-	REVISIED	-
PLOT SCALE	20.0000' / in.	DATE	-	REVISIED	-
PLOT DATE	1/16/2024				

STATE OF ILLINOIS
DEPARTMENT OF TRANSPORTATION

TYPICAL SECTIONS

SCALE: SHEET 11 OF 15 SHEETS STA. TO STA.

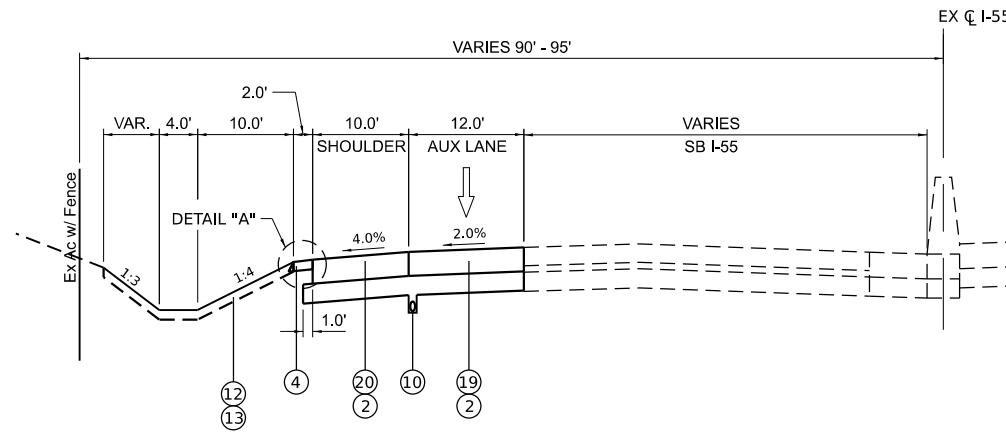
F.A.I. RTE.	SECTION	COUNTY	TOTAL SHEETS	SHEET NO.
I-80	FAI 80 21 STRUCTURE 5	WILL	302	24
ILLINOIS FED. AID PROJECT			CONTRACT NO. 62R26	

LEGEND

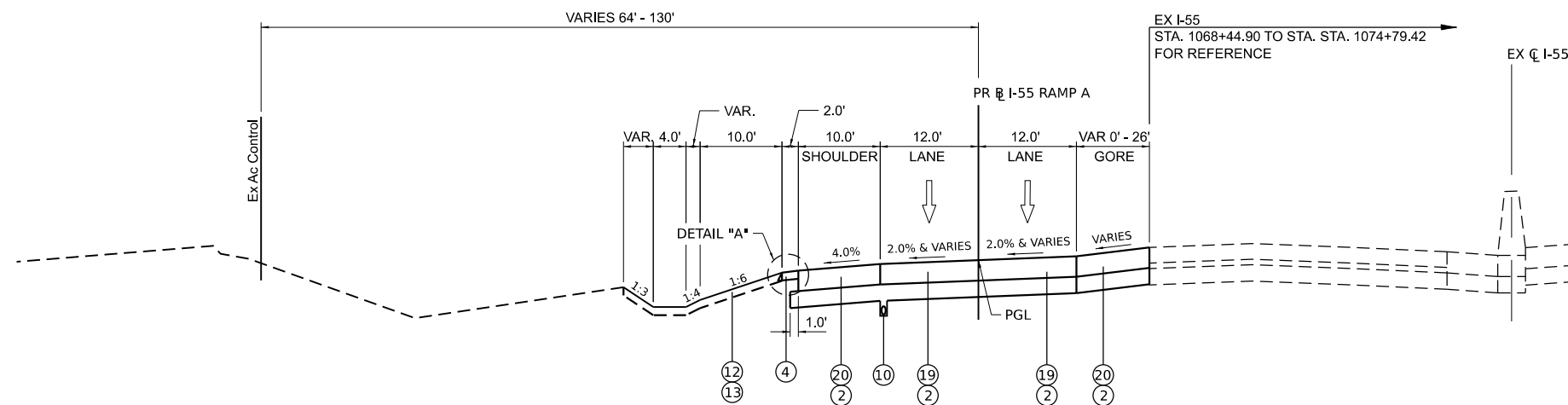
PROPOSED TYPICAL SECTION

- ① STABILIZED SUBBASE - HOT-MIX ASPHALT, 4"
- ② AGGREGATE SUBGRADE IMPROVEMENT 12"
- ③ SUBBASE GRANULAR MATERIAL, TYPE C 4"
- ④ AGGREGATE SHOULDERS, TYPE B 6"
- ⑤ CONCRETE BARRIER, SINGLE FACE, SPECIAL 44 INCH HEIGHT
- ⑥ CONCRETE BARRIER, SINGLE FACE, 44 INCH HEIGHT
- ⑦ CONCRETE BARRIER BASE (SPECIAL NO. 3)
- ⑧ CONCRETE BARRIER BASE (SPECIAL NO. 1)
- ⑨ CONCRETE BARRIER BASE (SPECIAL NO. 2)
- ⑩ PIPE UNDERDRAINS (SEE DRAINAGE PLANS FOR LOCATION)
- ⑪ STEEL PLATE BEAM GUARDRAIL, TYPE A, 6 FOOT POSTS
- ⑫ SEEDING (SEE LANDSCAPE PLANS FOR CLASS)
- ⑬ TOPSOIL EXCAVATION AND PLACEMENT (6" DEPTH TO BE PLACED)
- ⑭ PORTLAND CEMENT CONCRETE PAVEMENT 10 3/4" (JOINTED)
- ⑮ PORTLAND CEMENT CONCRETE SHOULDERS 10 3/4"
- ⑯ CONTINUOUSLY REINFORCED PORTLAND CEMENT CONCRETE PAVEMENT 11"
- ⑰ PORTLAND CEMENT CONCRETE SHOULDERS 11"
- ⑱ HOT-MIX ASPHALT PAVEMENT (FULL-DEPTH), 7 3/4"
- ⑲ HOT-MIX ASPHALT PAVEMENT (FULL-DEPTH), 15"
- ⑳ HOT-MIX ASPHALT SHOULDERS, 15"
- ㉑ PROPOSED RETAINING WALL (SEE STRUCTURAL PLANS)
- ㉒ PROPOSED BRIDGE PIER OR SLOPEWALL (SEE STRUCTURAL PLANS)

- NOTE A. TIE BARS LOCATED WITHIN THE JOINTED RAMP PAVEMENT ARE INCLUDED IN THE CONTRACT UNIT PRICE FOR PORTLAND CEMENT CONCRETE PAVEMENT 10 3/4"
- TIE BARS BETWEEN RAMP PAVEMENT AND PCC SHOULDER ARE INCLUDED IN THE CONTRACT UNIT PRICE FOR PORTLAND CEMENT CONCRETE SHOULDERS 10 3/4"
- NOTE B. PAY ITEMS 4200516 PVT 10 3/4" (JOINTD) & 48300515 PCC SHOULDERS 10 3/4" SHALL BE CONSTRUCTED FOLLOWING THE EXTENDED LIFE CONCRETE PAVEMENT SPECIAL PROVISION
- NOTE C. SEE SUPERELEVATION TRANSITION DETAILS FOR ADDITIONAL PAVEMENT CROSS SLOPE INFORMATION



PROPOSED I-55 AUX LANE
 LOOKING NORTH
 EX C I-55 STA. 1074+79.42 TO STA. 1092+53.12



PROPOSED I-55 RAMP A
 LOOKING NORTH
 PR I-55 RAMP A STA. 100+00.00 TO STA. 106+04.91

MODEL: Default
 FILE NAME: p:\transys\systems-pw\kentley.com\transys\scorp-pw1_hosted\Documents\Projects_2018\C401180022\01-5hmtsc\CAD\INT-02_6R26\04-Sheet\02-Roadway\02-6R26-shl-tyr\pda\012.dgn



USER NAME	ibusansky	DESIGNED	-	REVISED	-
DRAWN	-	REVISION	-	REVISION	-
PLOT SCALE	20.0000' / in.	CHECKED	-	REVISION	-
PLOT DATE	1/16/2024	DATE	-	REVISION	-

**STATE OF ILLINOIS
 DEPARTMENT OF TRANSPORTATION**

TYPICAL SECTIONS

SCALE: SHEET 12 OF 15 SHEETS STA. TO STA.

F.A.I. RTE.	SECTION	COUNTY	TOTAL SHEETS	SHEET NO.
I-80	FAI 80 21 STRUCTURE 5	WILL	302	25
CONTRACT NO. 62R26			ILLINOIS FED. AID PROJECT	

LEGEND

PROPOSED TYPICAL SECTION

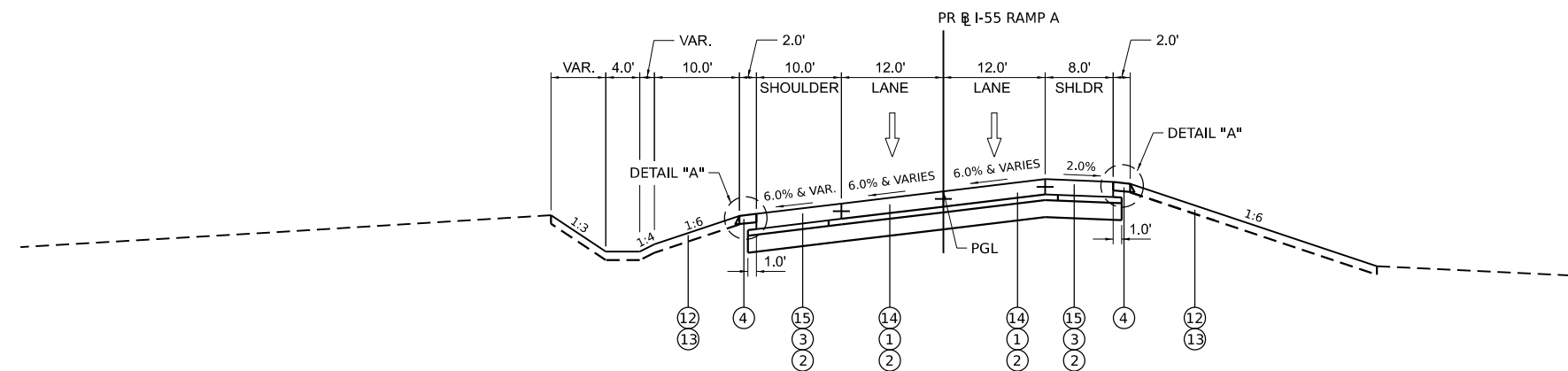
- ① STABILIZED SUBBASE - HOT-MIX ASPHALT, 4"
- ② AGGREGATE SUBGRADE IMPROVEMENT 12"
- ③ SUBBASE GRANULAR MATERIAL, TYPE C 4"
- ④ AGGREGATE SHOULDERS, TYPE B 6"
- ⑤ CONCRETE BARRIER, SINGLE FACE, SPECIAL 44 INCH HEIGHT
- ⑥ CONCRETE BARRIER, SINGLE FACE, 44 INCH HEIGHT
- ⑦ CONCRETE BARRIER BASE (SPECIAL NO. 3)
- ⑧ CONCRETE BARRIER BASE (SPECIAL NO. 1)
- ⑨ CONCRETE BARRIER BASE (SPECIAL NO. 2)
- ⑩ PIPE UNDERDRAINS (SEE DRAINAGE PLANS FOR LOCATION)
- ⑪ STEEL PLATE BEAM GUARDRAIL, TYPE A, 6 FOOT POSTS
- ⑫ SEEDING (SEE LANDSCAPE PLANS FOR CLASS)
- ⑬ TOPSOIL EXCAVATION AND PLACEMENT (6" DEPTH TO BE PLACED)
- ⑭ PORTLAND CEMENT CONCRETE PAVEMENT 10 3/4" (JOINTED)
- ⑮ PORTLAND CEMENT CONCRETE SHOULDERS 10 3/4"
- ⑯ CONTINUOUSLY REINFORCED PORTLAND CEMENT CONCRETE PAVEMENT 11"
- ⑰ PORTLAND CEMENT CONCRETE SHOULDERS 11"
- ⑱ HOT-MIX ASPHALT PAVEMENT (FULL-DEPTH), 7 3/4"
- ⑲ HOT-MIX ASPHALT PAVEMENT (FULL-DEPTH), 15"
- ⑳ HOT-MIX ASPHALT SHOULDERS, 15"
- ㉑ PROPOSED RETAINING WALL (SEE STRUCTURAL PLANS)
- ㉒ PROPOSED BRIDGE PIER OR SLOPEWALL (SEE STRUCTURAL PLANS)

NOTE A. TIE BARS LOCATED WITHIN THE JOINTED RAMP PAVEMENT ARE INCLUDED IN THE CONTRACT UNIT PRICE FOR PORTLAND CEMENT CONCRETE PAVEMENT 10 3/4"

TIE BARS BETWEEN RAMP PAVEMENT AND PCC SHOULDER ARE INCLUDED IN THE CONTRACT UNIT PRICE FOR PORTLAND CEMENT CONCRETE SHOULDERS 10 3/4"

NOTE B. PAY ITEMS 4200516 PVT 10 3/4" (JOINTD) & 48300515 PCC SHOULDERS 10 3/4" SHALL BE CONSTRUCTED FOLLOWING THE EXTENDED LIFE CONCRETE PAVEMENT SPECIAL PROVISION

NOTE C. SEE SUPERELEVATION TRANSITION DETAILS FOR ADDITIONAL PAVEMENT CROSS SLOPE INFORMATION



PROPOSED I-55 RAMP A
 LOOKING NORTH
 PR I-55 RAMP A STA. 106+04.91 TO STA. 112+14.53

MODEL: D:\default
 FILE NAME: p:\projects\transystems\pwr\kentley.com\transys\scorp\pwr\hosted\Documents\Projects_2018\CH401\401180022\01-5\stntec\CAD\INT-03_62R26\04-sheet\02-roadway\02-62R26-elt-ty\pdr\013.dgn



USER NAME	ibusansky	DESIGNED	-	REVISED	-
DRAWN	-	REVISIONS	-	REVISIONS	-
PLOT SCALE	20,0000' / in.	CHECKED	-	REVISIONS	-
PLOT DATE	1/16/2024	DATE	-	REVISIONS	-

**STATE OF ILLINOIS
 DEPARTMENT OF TRANSPORTATION**

TYPICAL SECTIONS

SCALE: SHEET 13 OF 15 SHEETS STA. TO STA.

F.A.I. RTE.	SECTION	COUNTY	TOTAL SHEETS	SHEET NO.
I-80	FAI 80 21 STRUCTURE 5	WILL	302	26
			CONTRACT NO. 62R26	
ILLINOIS FED. AID PROJECT				

LEGEND

PROPOSED TYPICAL SECTION

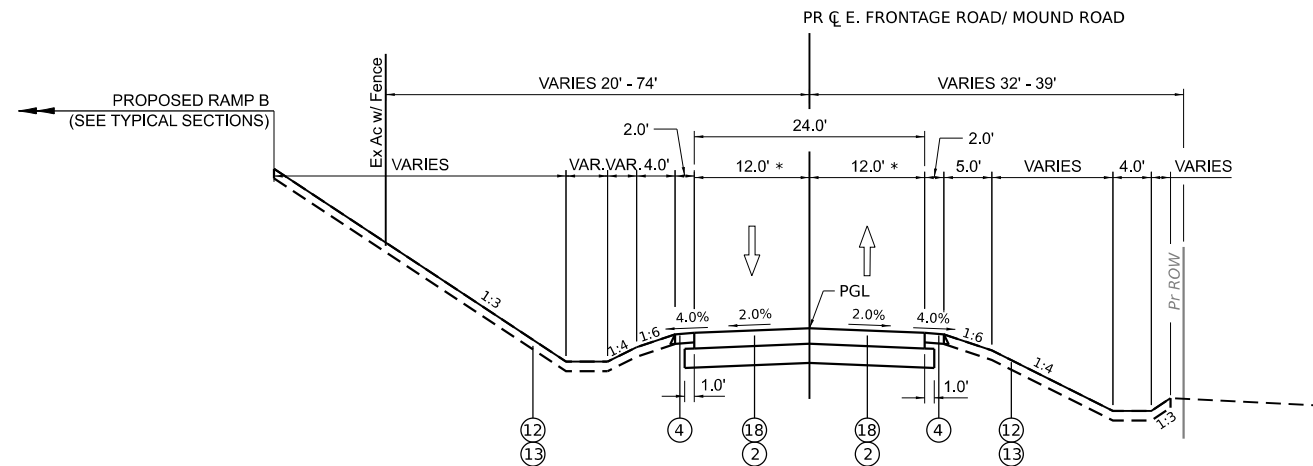
- ① STABILIZED SUBBASE - HOT-MIX ASPHALT, 4"
- ② AGGREGATE SUBGRADE IMPROVEMENT 12"
- ③ SUBBASE GRANULAR MATERIAL, TYPE C 4"
- ④ AGGREGATE SHOULDERS, TYPE B 6"
- ⑤ CONCRETE BARRIER, SINGLE FACE, SPECIAL 44 INCH HEIGHT
- ⑥ CONCRETE BARRIER, SINGLE FACE, 44 INCH HEIGHT
- ⑦ CONCRETE BARRIER BASE (SPECIAL NO. 3)
- ⑧ CONCRETE BARRIER BASE (SPECIAL NO. 1)
- ⑨ CONCRETE BARRIER BASE (SPECIAL NO. 2)
- ⑩ PIPE UNDERDRAINS (SEE DRAINAGE PLANS FOR LOCATION)
- ⑪ STEEL PLATE BEAM GUARDRAIL, TYPE A, 6 FOOT POSTS
- ⑫ SEEDING (SEE LANDSCAPE PLANS FOR CLASS)
- ⑬ TOPSOIL EXCAVATION AND PLACEMENT (6" DEPTH TO BE PLACED)
- ⑭ PORTLAND CEMENT CONCRETE PAVEMENT 10 3/4" (JOINTED)
- ⑮ PORTLAND CEMENT CONCRETE SHOULDERS 10 3/4"
- ⑯ CONTINUOUSLY REINFORCED PORTLAND CEMENT CONCRETE PAVEMENT 11"
- ⑰ PORTLAND CEMENT CONCRETE SHOULDERS 11"
- ⑱ HOT-MIX ASPHALT PAVEMENT (FULL-DEPTH), 7 3/4"
- ⑲ HOT-MIX ASPHALT PAVEMENT (FULL-DEPTH), 15"
- ⑳ HOT-MIX ASPHALT SHOULDERS, 15"
- ㉑ PROPOSED RETAINING WALL (SEE STRUCTURAL PLANS)
- ㉒ PROPOSED BRIDGE PIER OR SLOPEWALL (SEE STRUCTURAL PLANS)

NOTE A. TIE BARS LOCATED WITHIN THE JOINTED RAMP PAVEMENT ARE INCLUDED IN THE CONTRACT UNIT PRICE FOR PORTLAND CEMENT CONCRETE PAVEMENT 10 3/4"

TIE BARS BETWEEN RAMP PAVEMENT AND PCC SHOULDER ARE INCLUDED IN THE CONTRACT UNIT PRICE FOR PORTLAND CEMENT CONCRETE SHOULDERS 10 3/4"

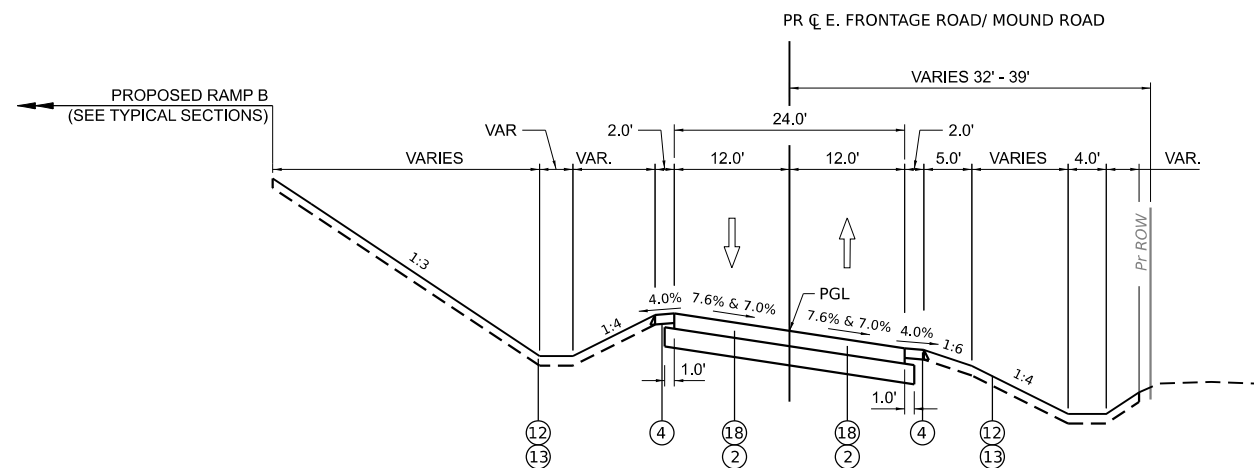
NOTE B. PAY ITEMS 4200516 PVT 10 3/4" (JOINTD) & 48300515 PCC SHOULDERS 10 3/4" SHALL BE CONSTRUCTED FOLLOWING THE EXTENDED LIFE CONCRETE PAVEMENT SPECIAL PROVISION

NOTE C. SEE SUPERELEVATION TRANSITION DETAILS FOR ADDITIONAL PAVEMENT CROSS SLOPE INFORMATION



PROPOSED E. FRONTAGE ROAD/ MOUND ROAD

LOOKING NORTH
 PR C E. FRONTAGE ROAD/ MOUND ROAD
 STA. 4+91.09 TO STA. 18+39.52
 STA. 24+67.92 TO STA. 30+24.85
 STA. 35+76.98 TO STA. 37+42.00



PROPOSED E. FRONTAGE ROAD/ MOUND ROAD

LOOKING NORTH
 PR C E. FRONTAGE ROAD/ MOUND ROAD
 FULL SUPER
 STA. 18+49.52 TO STA. 24+57.92
 STA. 30+33.85 TO STA. 35+67.98

MODEL: D:\default...
 FILE NAME: p:\projects\transystems-pw-bentley.com\transystems\scorp-pw1-hosted\Documents\Projects_2018\CH401140118002201-Santec\CAD\INT-02_62R26\04-sheet\02-roadway\0262R26-sheet\pda\014.dgn



USER NAME	ibusansky	DESIGNED	-	REVISED	-
DRAWN	-	REVISIONS	-	REVISIONS	-
PLOT SCALE	20,0000' / in.	CHECKED	-	REVISIONS	-
PLOT DATE	1/16/2024	DATE	-	REVISIONS	-

**STATE OF ILLINOIS
 DEPARTMENT OF TRANSPORTATION**

TYPICAL SECTIONS

SCALE: SHEET 14 OF 15 SHEETS STA. TO STA.

F.A.I. RTE.	SECTION	COUNTY	TOTAL SHEETS	SHEET NO.
I-80	FAI 80 21 STRUCTURE 5	WILL	302	27
			CONTRACT NO. 62R26	
		ILLINOIS FED. AID PROJECT		

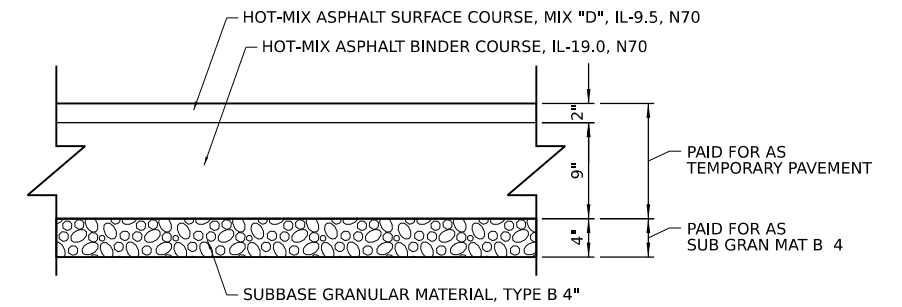
HOT-MIX ASPHALT MIXTURE REQUIREMENTS

MIXTURE TYPE	AIR VOIDS @ Ndes	QMP
TEMPORARY PAVEMENT:		
HMA SURFACE COURSE, IL-9.5, MIX "D", N70; 2"	4.0% @ 70 GYR	QC/QA
HMA BINDER COURSE, IL-19.0, N70; 9"	4.0% @ 70 GYR	QC/QA
STABILIZED SUBBASE - HOT-MIX ASPHALT, 4"		
STABILIZED SUBBASE (HMA BINDER IL-19mm)	3.0% @ 50 GYR	QC/QA
I-55 AUXILIARY LANE (SB) WIDENING:		
HOT-MIX ASPHALT PAVEMENT (FULL-DEPTH), 15"		
POLYMERIZED HMA SURFACE COURSE, STONE MATRIX ASPHALT, 12.5, MIX "F", N80; 2"	3.5% @ 80 GYR	QC/QA
HMA BINDER COURSE, IL-19.0, N90; 13"	4.0% @ 90 GYR	QC/QA
HOT-MIX ASPHALT SHOULDERS, 15"		
POLYMERIZED HMA SURFACE COURSE, STONE MATRIX ASPHALT, 12.5, MIX "F", N80; 2"	3.5% @ 80 GYR	QC/QA
HMA BINDER COURSE, IL-19.0, N90; 13"	4.0% @ 90 GYR	QC/QA
E. FRONTAGE ROAD/ MOUND ROAD RECONSTRUCTION:		
HOT-MIX ASPHALT PAVEMENT (FULL-DEPTH), 7 ¾"		
HMA SURFACE COURSE, IL-9.5, MIX "D", N50; 2"	4.0% @ 50 GYR	QC/QA
HMA BINDER COURSE, IL-19.0, N50; 5 ¾"	4.0% @ 50 GYR	QC/QA
PATCHING:		
CLASS D PATCHES (HMA BINDER IL-19 mm)	4.0% @ 70 GYR	QC/QA
QMP DESIGNATIONS: QUALITY CONTROL/QUALITY ASSURANCE (QC/QA); QUALITY CONTROL FOR PERFORMANCE (QCP); PAY FOR PERFORMANCE (PFP).		

NOTES: THE UNIT WEIGHT USED TO CALCULATE ALL HMA SURFACE MIXTURE QUANTITIES IS 112 LBS/SQ YD/INCH.

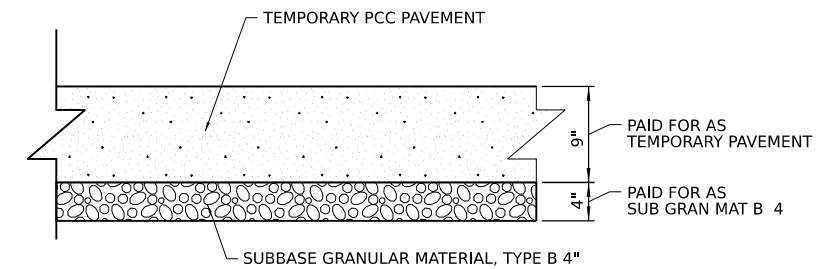
THE "AC TYPE" FOR POLYMERIZED HMA MIXTURES SHALL BE "SBS/SBR PG 76-22" AND FOR NON-POLYMERIZED HMA THE "AC TYPE" SHALL BE "PG 64-22" UNLESS MODIFIED BY RECLAIMED MATERIALS SPECIFICATIONS.

TEMPORARY PAVEMENT DETAILS



OPTION 1: TEMPORARY HMA PAVEMENT

9" HMA BINDER COURSE (11" TOTAL HMA) PAID FOR AS TEMPORARY PAVEMENT



OPTION 2: TEMPORARY PCC PAVEMENT

9" TEMPORARY PCC PAVEMENT PAID FOR AS TEMPORARY PAVEMENT

TEMPORARY PAVEMENT GENERAL NOTES

- THE CONTRACTOR SHALL HAVE THE OPTION OF CONSTRUCTING TEMPORARY PAVEMENT OF EITHER MATERIAL: PORTLAND CEMENT CONCRETE OR HMA PAVEMENT.
- TEMPORARY HMA PAVEMENT SHALL CONSIST OF TWO ITEMS: HMA BINDER COURSE AND HMA SURFACE COURSE.
- PC CONCRETE TEMPORARY PAVEMENT SHALL CONSIST OF CLASS PV CONCRETE MEETING THE REQUIREMENTS OF ART. 1020 OF THE STANDARD SPECIFICATIONS, PCC PAVEMENT 9" OR 11" THICK. TEMPORARY PCC PAVEMENT DOES NOT REQUIRE DOWEL BARS.
- ALL TEMPORARY PAVEMENT SHALL BE PROVIDED OVER SUBBASE GRANULAR MATERIAL, TYPE B 4".
- FOR QUANTITY ESTIMATION PURPOSES, EXCAVATION QUANTITIES ARE ESTIMATED ASSUMING THE THICKER DESIGN OPTION. EXCAVATION QUANTITIES WILL BE REDUCED IF TEMPORARY PCC PAVEMENT OPTION IS UTILIZED.
- IF THE CONTRACTOR ELECTS TO USE THE PCC OPTION FOR TEMPORARY PAVEMENT, JOINTS ARE REQUIRED ACCORDING TO THE APPLICABLE DETAILS IN HIGHWAY STANDARDS 420101 AND 420001:
 - TRANSVERSE CONTRACTION JOINTS ARE SPACED EVERY 15' ALONG THE LENGTH OF TEMPORARY PAVEMENT.
 - LONGITUDINAL SAWED JOINTS ARE REQUIRED FOR PCC PAVEMENT SECTIONS THAT EXCEED 16' IN WIDTH.
 - LONGITUDINAL SAWED JOINTS ARE REQUIRED WITH TIE BAR REINFORCEMENT (NO. 6 TIE BARS AT 36" CTRS.) AND SHALL BE SEALED. TRANSVERSE CONTRACTION JOINTS ARE NOT REQUIRED TO BE SEALED.
 - TEMPORARY PCC PAVEMENT DOES NOT REQUIRE DOWEL BARS.

MODEL: Default; FILE NAME: p:\transysystems\pw_bentley.com\transyscorp\pw1_hosted\Documents\Projects_2018\CH401\401180022\01-Stantec\CAD\INT-02_62R26\04-sheet\02-roadway\02_62R26-04-sheet\pdkal015.dgn



USER NAME	▀ Ibusansky	DESIGNED	-	REVISED	-
		DRAWN	-	REVISED	-
PLOT SCALE	▀ 100.0000' / in.	CHECKED	-	REVISED	-
PLOT DATE	▀ 1/16/2024	DATE	-	REVISED	-

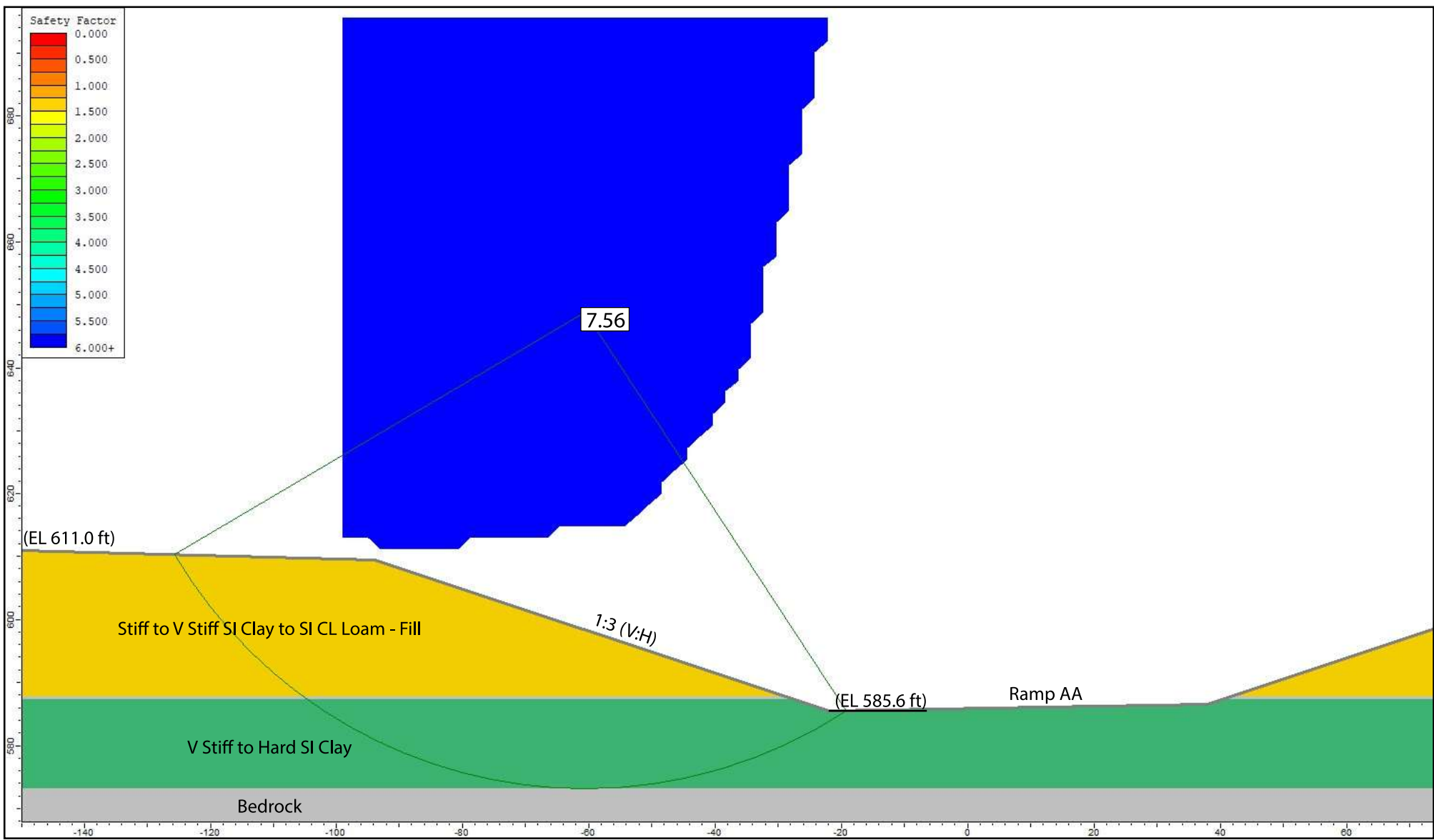
STATE OF ILLINOIS
DEPARTMENT OF TRANSPORTATION

TYPICAL SECTIONS

SCALE: SHEET 15 OF 15 SHEETS STA. TO STA.

F.A.I. RTE.	SECTION	COUNTY	TOTAL SHEETS	SHEET NO.
I-80	FAI 80 21 STRUCTURE 5	WILL	302	28
			CONTRACT NO. 62R26	
ILLINOIS FED. AID PROJECT				

APPENDIX E

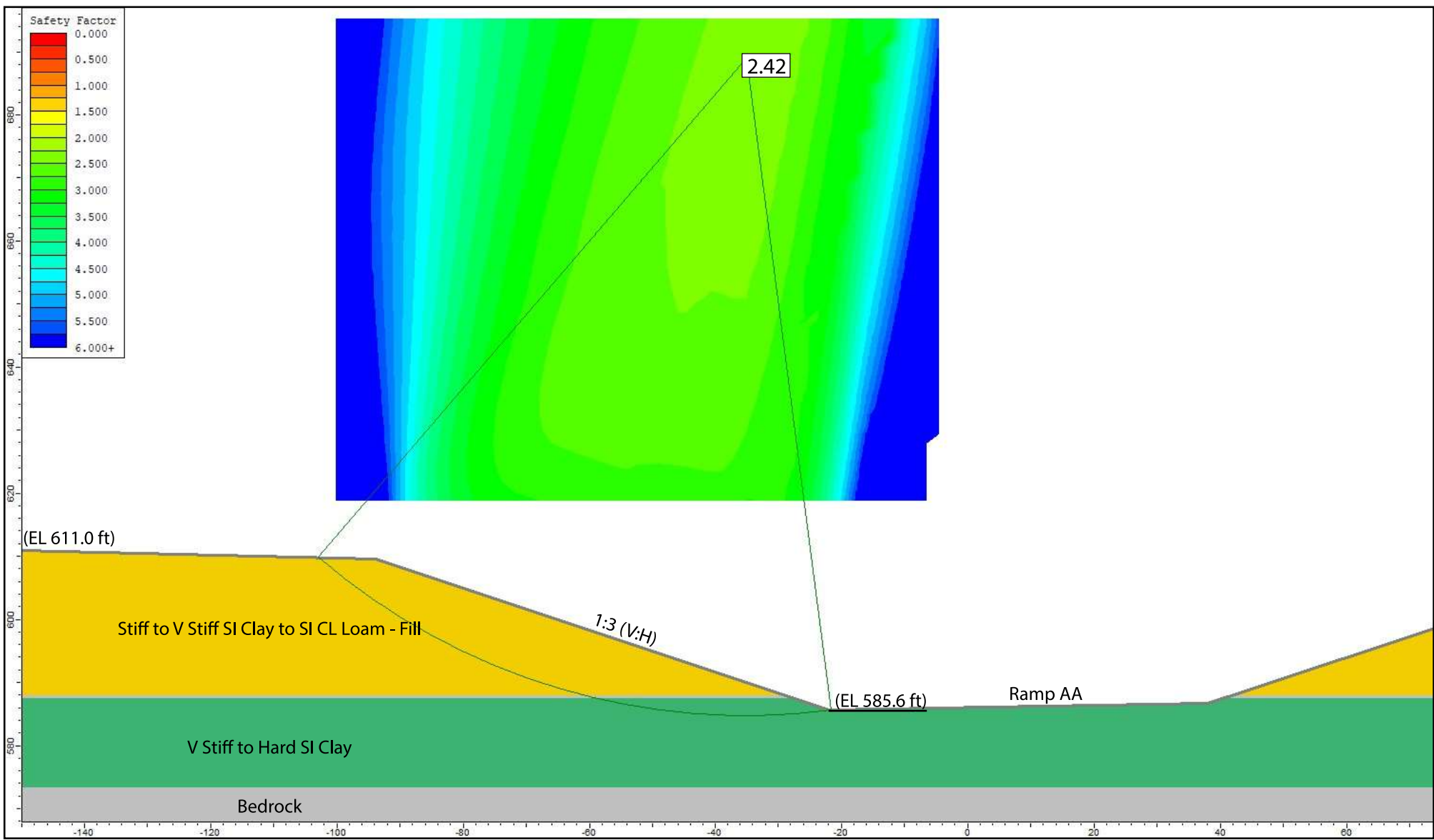


Undrained Analysis, I-55 Ramp AA, SS1, Sta.12+00, Ref Borings: 80AA-BSB-03 and 80AA-BSB-04

Layer ID	Description	Total Unit Weight (pcf)	Undrained Cohesion (psf)	Undrained Friction Angle (degrees)
1	Stiff to V Stiff SI Clay to SI CL Loam - Fill	120	2600	0
2	V Stiff to Hard SI Clay	120	3300	0

GLOBAL STABILITY: I-80 RECONSTRUCTION FROM RIVER RD TO HOUBOLT RD;
I-55 INTERCHANGE, INT-2, PTB 194/10, WILL COUNTY, ILLINOIS

SCALE: GRAPHICAL	APPENDIX E-1	DRAWN BY: D. You CHECKED BY: A. Hamad
 A Terracon Company		1145 N. Main Street Lombard, IL 60148 www.wangeng.com
FOR STANTEC		2553901 KE225039

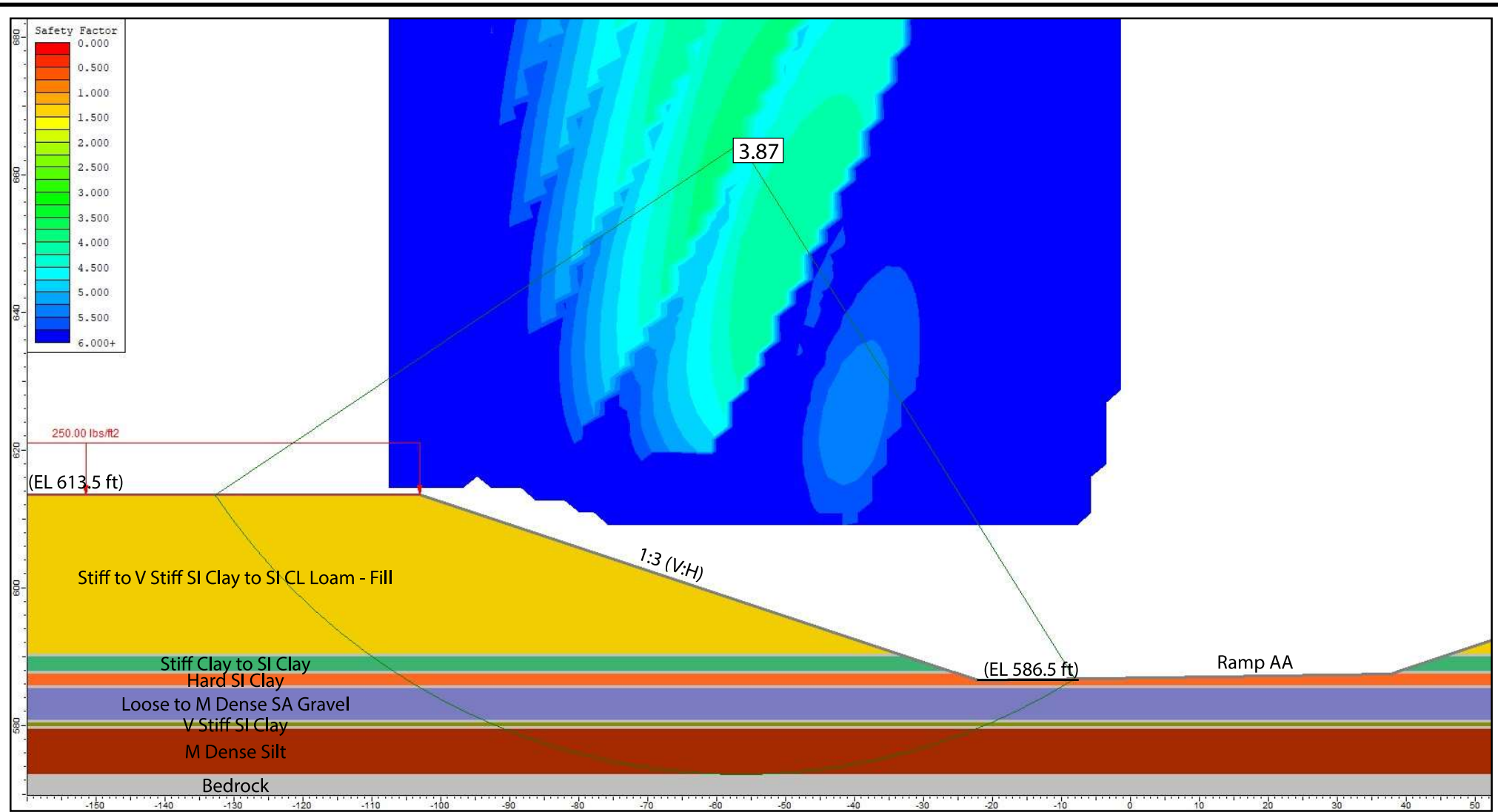


Drained Analysis, I-55 Ramp AA, SS1, Sta.12+00, Ref Borings: 80AA-BSB-03 and 80AA-BSB-04

Layer ID	Description	Total Unit Weight (pcf)	Drained Cohesion (psf)	Drained Friction Angle (degrees)
1	Stiff to V Stiff SI Clay to SI CL Loam - Fill	120	100	30
2	V Stiff to Hard SI Clay	120	100	31

GLOBAL STABILITY: I-80 RECONSTRUCTION FROM RIVER RD TO HOUBOLT RD;
I-55 INTERCHANGE, INT-2, PTB 194/10, WILL COUNTY, ILLINOIS

SCALE: GRAPHICAL	APPENDIX E-2	DRAWN BY: D. You CHECKED BY: A. Hamad
 Wang Engineering A Terracon Company		1145 N. Main Street Lombard, IL 60148 www.wangeng.com
		FOR STANTEC



Undrained Analysis, I-55 Ramp AA, SS2, Sta.11+50, Ref Borings: 80AA-BSB-02 and 80AA-BSB-04

Layer ID	Description	Total Unit Weight (pcf)	Undrained Cohesion (psf)	Undrained Friction Angle (degrees)
1	Stiff to V Stiff SI Clay to SI CL Loam - Fill	120	2800	0
2	Stiff Clay to SI Clay	120	1500	0
3	Hard SI Clay	125	4000	0
4	Loose to M Dense SA Gravel	115	0	29
5	V Stiff SI Clay	120	2000	0
6	M Dense Silt	120	0	30

GLOBAL STABILITY: I-80 RECONSTRUCTION FROM RIVER RD TO HOUBOLT RD;
I-55 INTERCHANGE, INT-2, PTB 194/10, WILL COUNTY, ILLINOIS

SCALE: GRAPHICAL

APPENDIX E-3

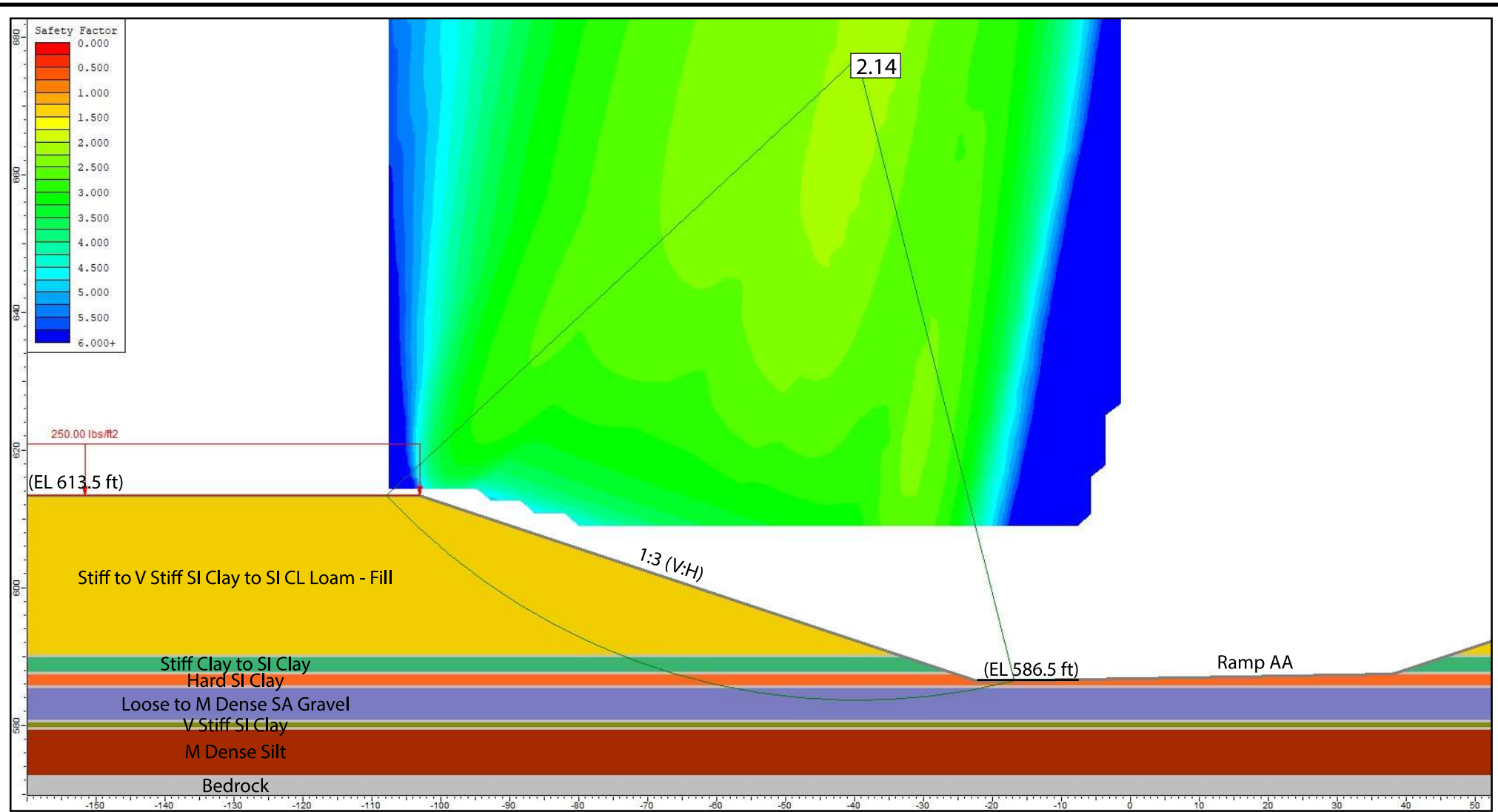
DRAWN BY: D. You
CHECKED BY: A. Hamad



1145 N. Main Street
Lombard, IL 60148
www.wangeng.com

FOR STANTEC

2553901
KE225039



Drained Analysis, I-55 Ramp AA, SS2, Sta.11+50, Ref Borings: 80AA-BSB-02 and 80AA-BSB-04

Layer ID	Description	Total Unit Weight (pcf)	Drained Cohesion (psf)	Drained Friction Angle (degrees)
1	Stiff to V Stiff SI Clay to SI CL Loam - Fill	120	100	30
2	Stiff Clay to SI Clay	120	100	30
3	Hard SI Clay	125	100	31
4	Loose to M Dense SA Gravel	115	0	29
5	V Stiff SI Clay	120	100	30
6	M Dense Silt	120	0	30

GLOBAL STABILITY: I-80 RECONSTRUCTION FROM RIVER RD TO HOUBOLT RD;
I-55 INTERCHANGE, INT-2, PTB 194/10, WILL COUNTY, ILLINOIS

SCALE: GRAPHICAL

APPENDIX E-4

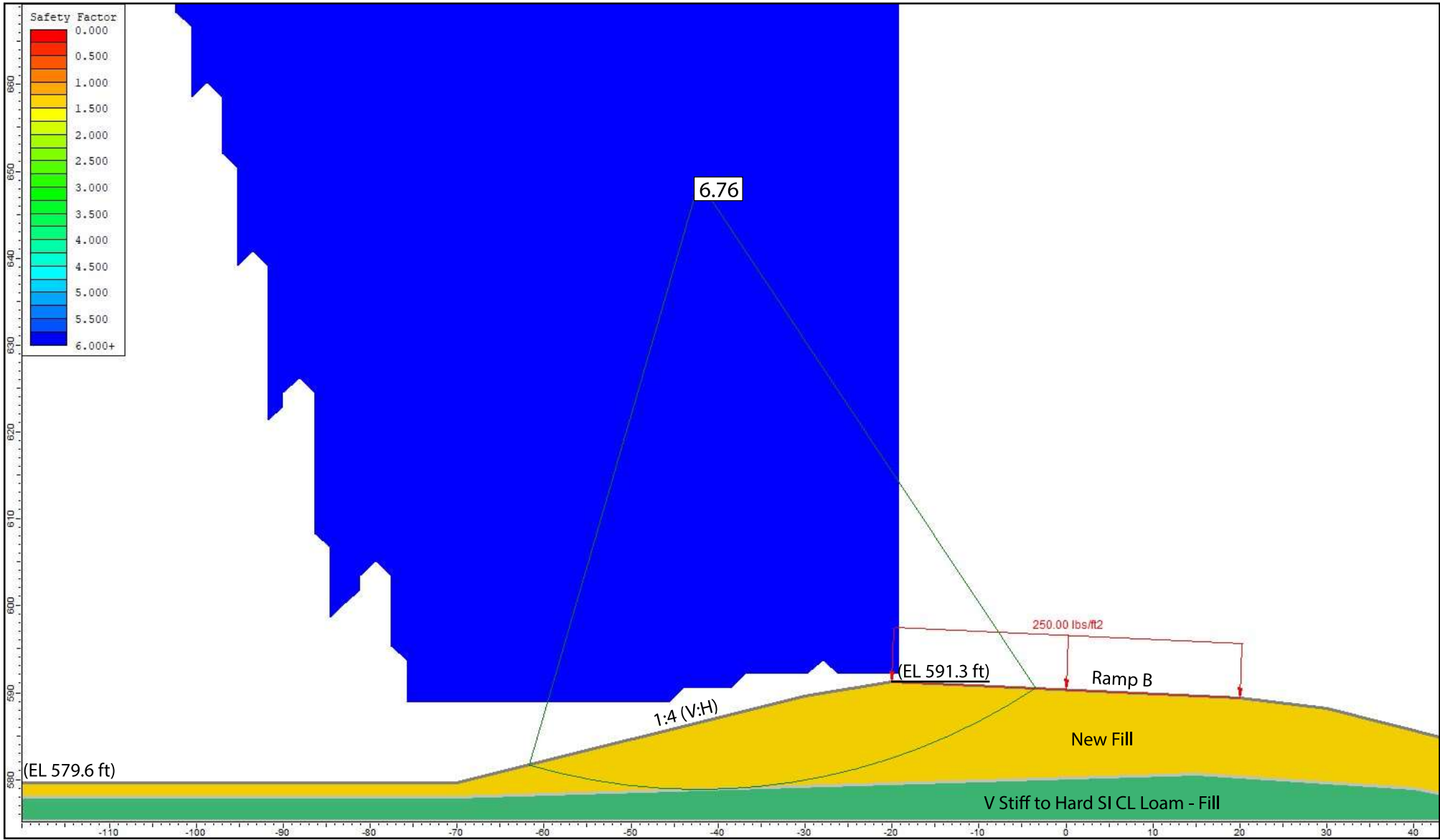
DRAWN BY: D. You
CHECKED BY: A. Hamad



1145 N. Main Street
Lombard, IL 60148
www.wangeng.com

FOR STANTEC

2553901
KE225039

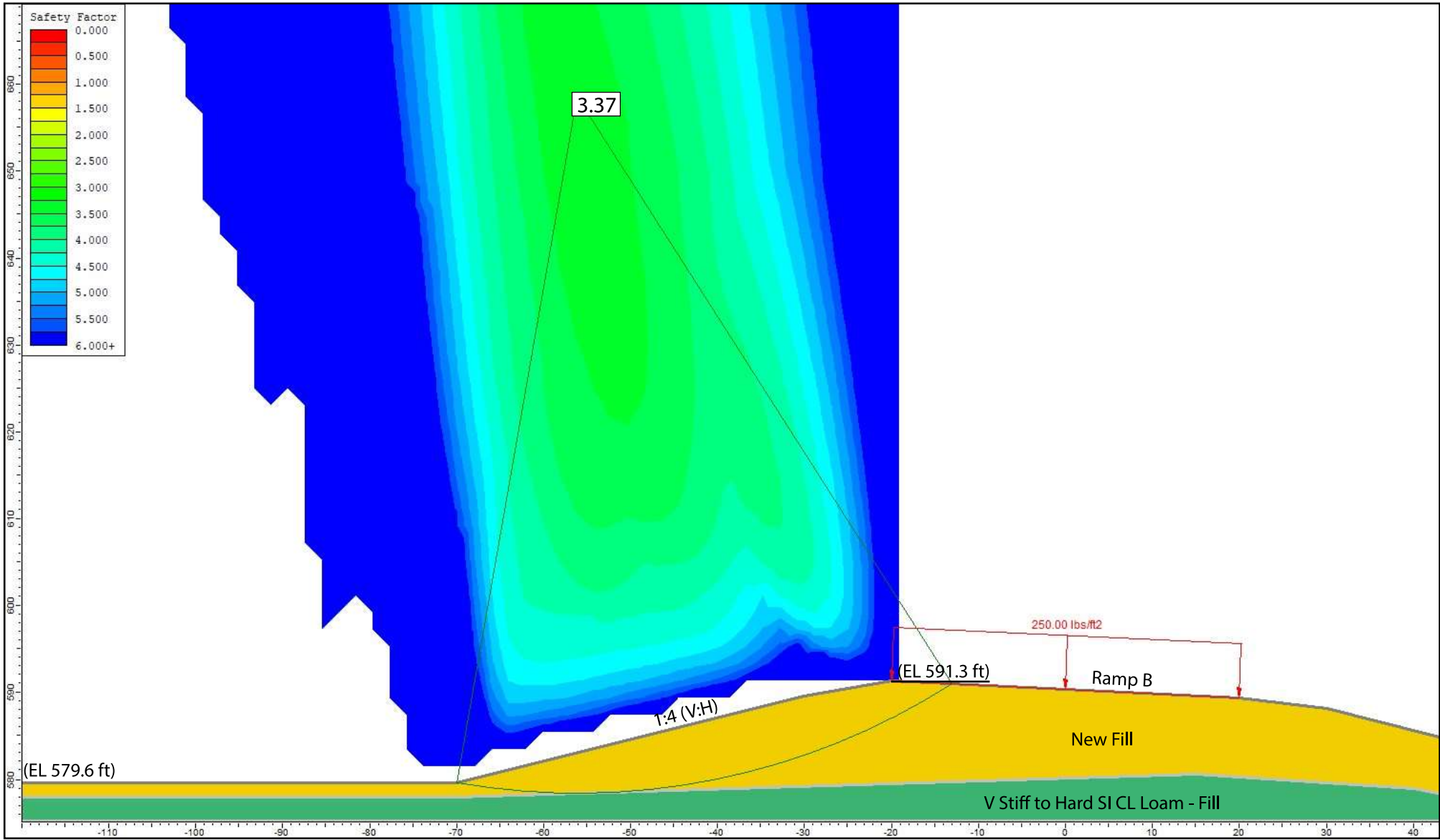


Undrained Analysis, I-55 Ramp B, SS3, Sta.1014+00, Ref Borings: 55B-SGB-05 and 55SEFR-SGB-02

Layer ID	Description	Total Unit Weight (pcf)	Undrained Cohesion (psf)	Undrained Friction Angle (degrees)
1	New Fill	125	1000	0
2	V Stiff to Hard SI CL Loam - Fill	120	3600	0

GLOBAL STABILITY: I-80 RECONSTRUCTION FROM RIVER RD TO HOUBOLT RD;
I-55 INTERCHANGE, INT-2, PTB 194/10, WILL COUNTY, ILLINOIS

SCALE: GRAPHICAL	APPENDIX E-5	DRAWN BY: D. You CHECKED BY: A. Hamad
 A Terracon Company		1145 N. Main Street Lombard, IL 60148 www.wangeng.com
FOR STANTEC		2553901 KE225039



Drained Analysis, I-55 Ramp B, SS3, Sta.1014+00, Ref Borings: 55B-SGB-05 and 55SEFR-SGB-02

Layer ID	Description	Total Unit Weight (pcf)	Drained Cohesion (psf)	Drained Friction Angle (degrees)
1	New Fill	125	100	30
2	V Stiff to Hard SI CL Loam - Fill	120	100	31

GLOBAL STABILITY: I-80 RECONSTRUCTION FROM RIVER RD TO HOUBOLT RD;
I-55 INTERCHANGE, INT-2, PTB 194/10, WILL COUNTY, ILLINOIS

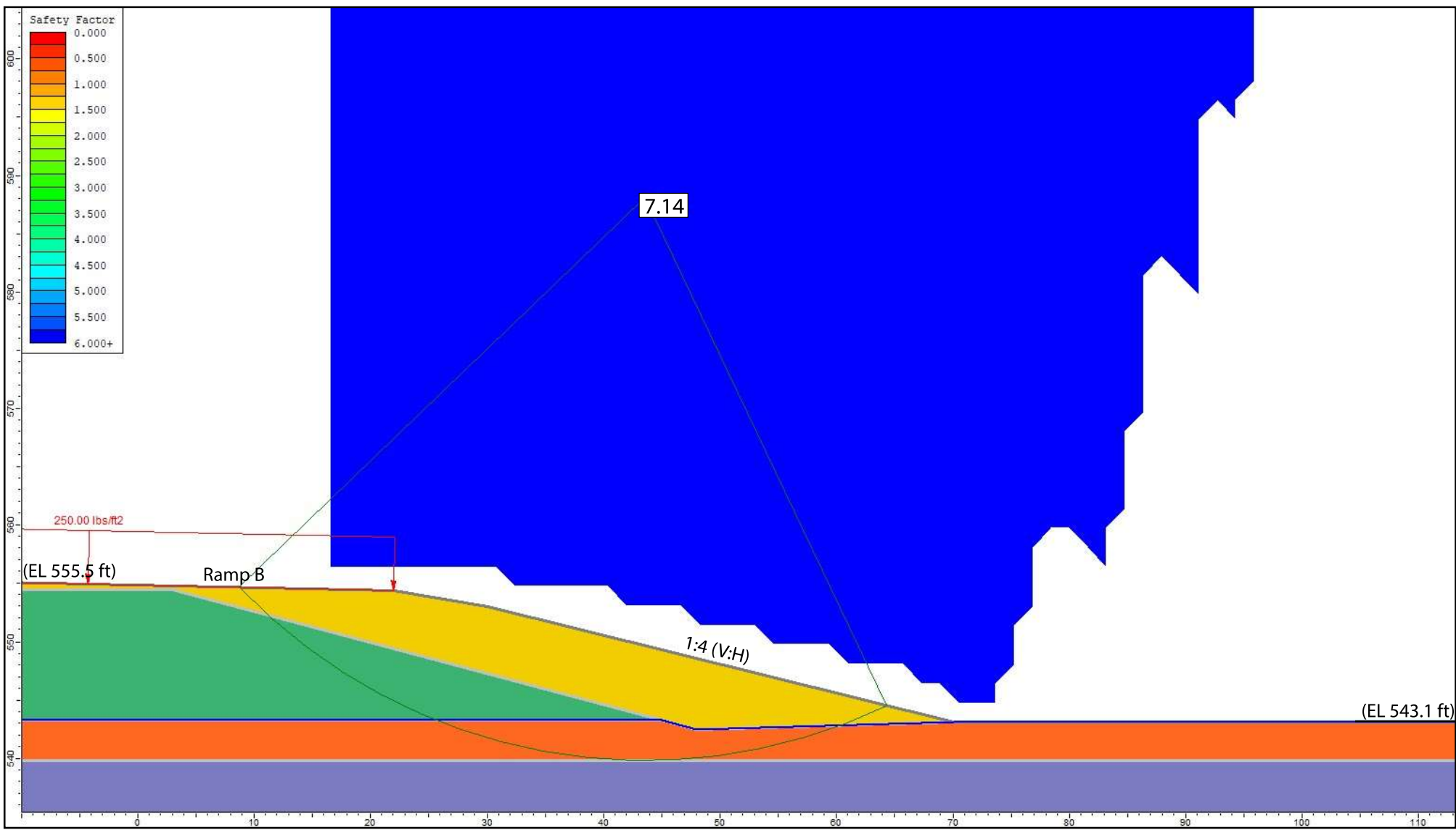
SCALE: GRAPHICAL **APPENDIX E-6** DRAWN BY: D. You
CHECKED BY: A. Hamad



Wang Engineering
A Terracon Company

1145 N. Main Street
Lombard, IL 60148
www.wangeng.com

FOR STANTEC 2553901
KE225039

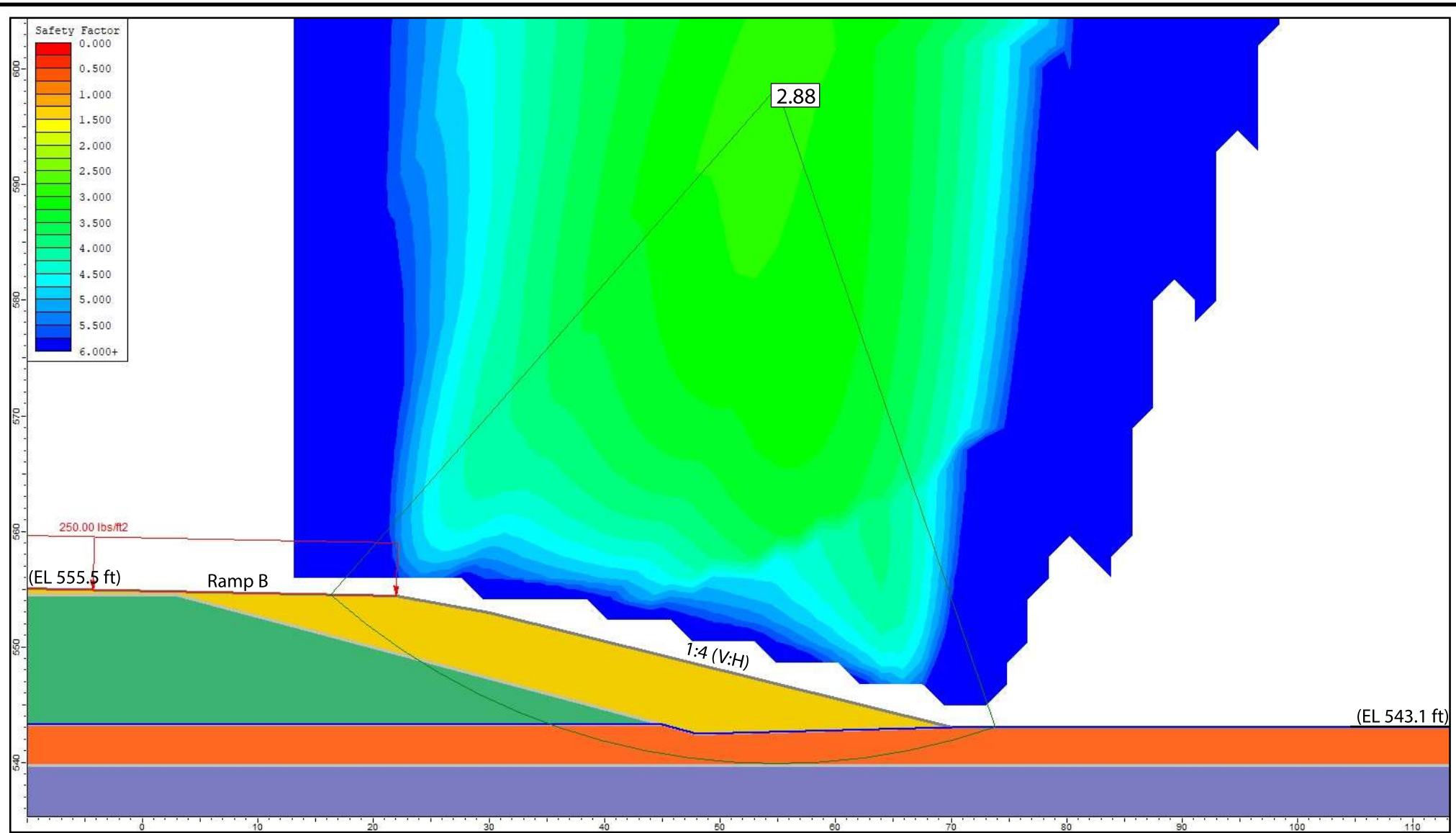


Undrained Analysis, I-55 Ramp B, SS4, Sta.1039+00, Ref Borings: EB-SGB-37 and WB-SGB-38

Layer ID	Description	Total Unit Weight (pcf)	Undrained Cohesion (psf)	Undrained Friction Angle (degrees)
1	New Fill	125	1000	0
2	M Stiff to V Stiff SI Loam	120	1300	0
3	Stiff SI Loam - Buried Topsoil	120	1300	0
4	V Stiff SI CL Loam to SI Loam- Weathered Bedrock	120	2000	0

GLOBAL STABILITY: I-80 RECONSTRUCTION FROM RIVER RD TO HOUBOLT RD;
I-55 INTERCHANGE, INT-2, PTB 194/10, WILL COUNTY, ILLINOIS

SCALE: GRAPHICAL	APPENDIX E-7	DRAWN BY: D. You CHECKED BY: A. Hamad
		1145 N. Main Street Lombard, IL 60148 www.wangeng.com
FOR STANTEC		2553901 KE225039



Drained Analysis, I-55 Ramp B, SS4, Sta.1039+00, Ref Borings: EB-SGB-37 and WB-SGB-38

Layer ID	Description	Total Unit Weight (pcf)	Drained Cohesion (psf)	Drained Friction Angle (degrees)
1	New Fill	125	100	30
2	M Stiff to V Stiff SI Loam	120	100	29
3	Stiff SI Loam - Buried Topsoil	120	100	28
4	V Stiff SI CL Loam to SI Loam- Weathered Bedrock	120	100	32

GLOBAL STABILITY: I-80 RECONSTRUCTION FROM RIVER RD TO HOUBOLT RD;
I-55 INTERCHANGE, INT-2, PTB 194/10, WILL COUNTY, ILLINOIS

SCALE: GRAPHICAL

APPENDIX E-8

DRAWN BY: D. You
CHECKED BY: A. Hamad

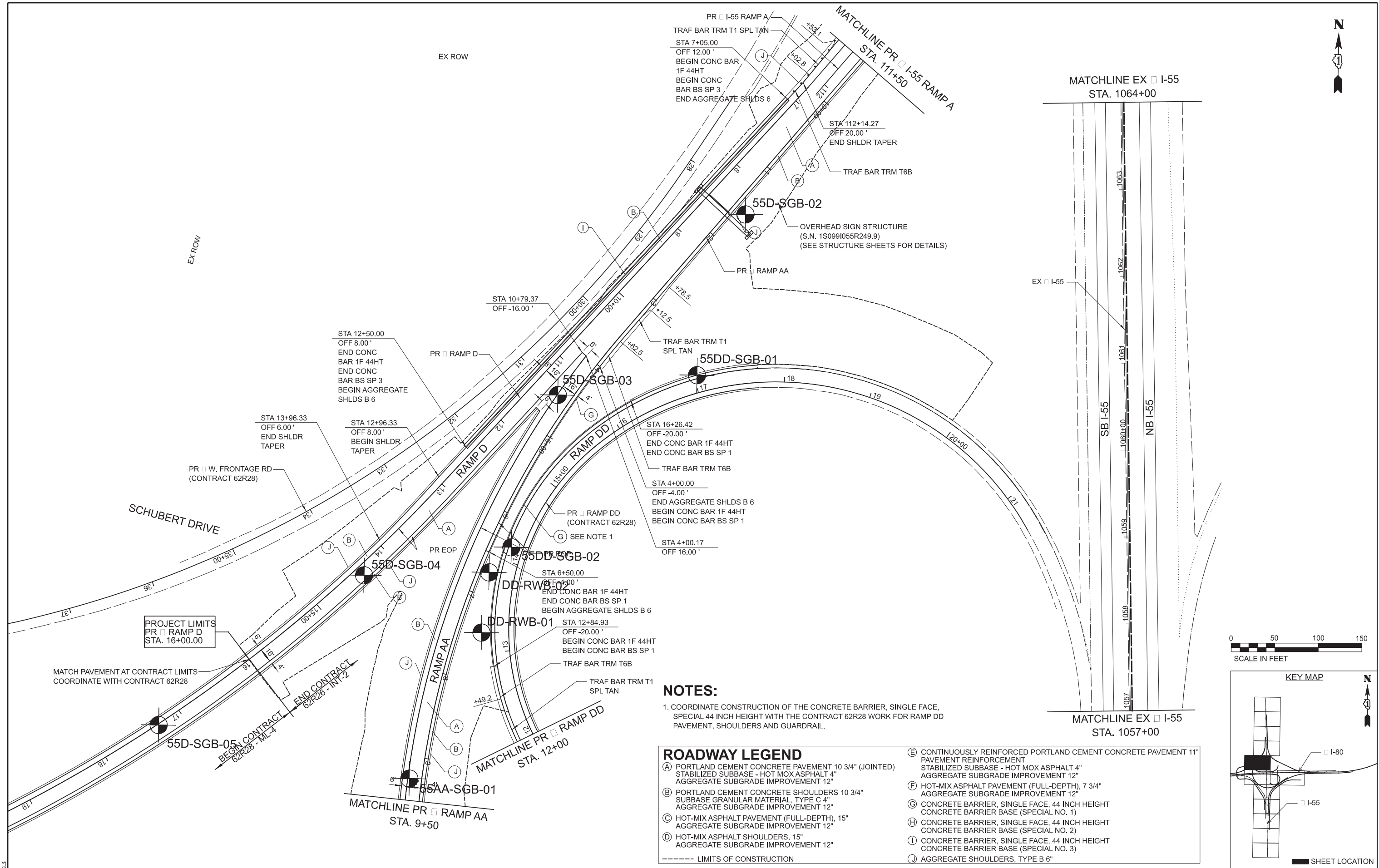


1145 N. Main Street
Lombard, IL 60148
www.wangeng.com

FOR STANTEC

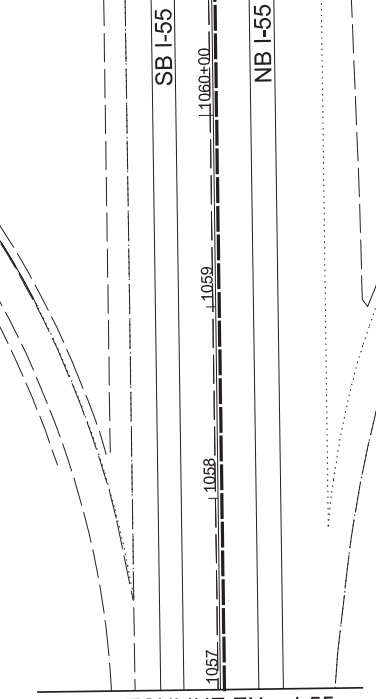
2553901
KE225039

APPENDIX F

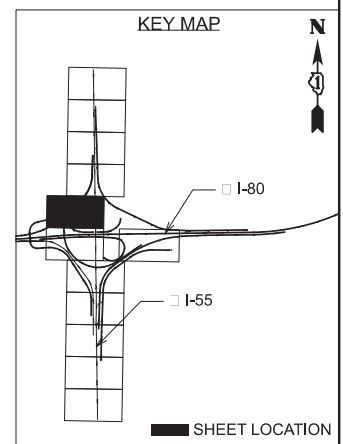
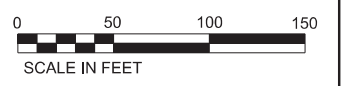


MATCHLINE EX I-55
STA. 1064+00

EX I-55



MATCHLINE EX I-55
STA. 1057+00



NOTES:

- COORDINATE CONSTRUCTION OF THE CONCRETE BARRIER, SINGLE FACE, SPECIAL 44 INCH HEIGHT WITH THE CONTRACT 62R28 WORK FOR RAMP DD PAVEMENT, SHOULDERS AND GUARDRAIL.

ROADWAY LEGEND

- (A) PORTLAND CEMENT CONCRETE PAVEMENT 10 3/4" (JOINTED) STABILIZED SUBBASE - HOT MOX ASPHALT 4" AGGREGATE SUBGRADE IMPROVEMENT 12"
 - (B) PORTLAND CEMENT CONCRETE SHOULDERS 10 3/4" SUBBASE GRANULAR MATERIAL, TYPE C 4" AGGREGATE SUBGRADE IMPROVEMENT 12"
 - (C) HOT-MIX ASPHALT PAVEMENT (FULL-DEPTH), 15" AGGREGATE SUBGRADE IMPROVEMENT 12"
 - (D) HOT-MIX ASPHALT SHOULDERS, 15" AGGREGATE SUBGRADE IMPROVEMENT 12"
 - (E) CONTINUOUSLY REINFORCED PORTLAND CEMENT CONCRETE PAVEMENT 11" PAVEMENT REINFORCEMENT STABILIZED SUBBASE - HOT MOX ASPHALT 4" AGGREGATE SUBGRADE IMPROVEMENT 12"
 - (F) HOT-MIX ASPHALT PAVEMENT (FULL-DEPTH), 7 3/4" AGGREGATE SUBGRADE IMPROVEMENT 12"
 - (G) CONCRETE BARRIER, SINGLE FACE, 44 INCH HEIGHT CONCRETE BARRIER BASE (SPECIAL NO. 1)
 - (H) CONCRETE BARRIER, SINGLE FACE, 44 INCH HEIGHT CONCRETE BARRIER BASE (SPECIAL NO. 2)
 - (I) CONCRETE BARRIER, SINGLE FACE, 44 INCH HEIGHT CONCRETE BARRIER BASE (SPECIAL NO. 3)
 - (J) AGGREGATE SHOULDERS, TYPE B 6"
- LIMITS OF CONSTRUCTION

MODEL: SMODELNAMES
FILE NAME: SHELLS



USER NAME = SUSERS	DESIGNED -	REVISED -
PLOT SCALE = \$SCALES	DRAWN -	REVISED -
PLOT DATE = \$DATES	CHECKED -	REVISED -
	DATE -	REVISED -

STATE OF ILLINOIS
DEPARTMENT OF TRANSPORTATION

ROADWAY PLAN

SCALE: SHEET 1 OF 9 SHEETS STA. TO STA.

F.A.I. RTE.	SECTION	COUNTY	TOTAL SHEETS	SHEET NO.
\$RTE	\$SEC	\$CNTY	\$TOT	\$PLN0
CONTRACT NO. \$CONTRACT				
ILLINOIS FED. AID PROJECT				

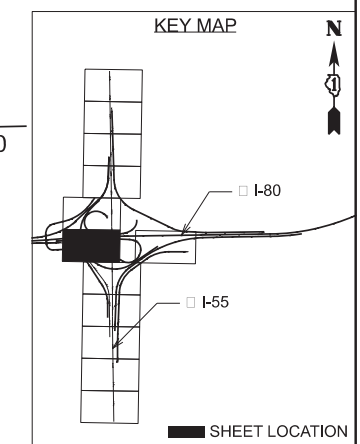
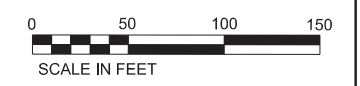
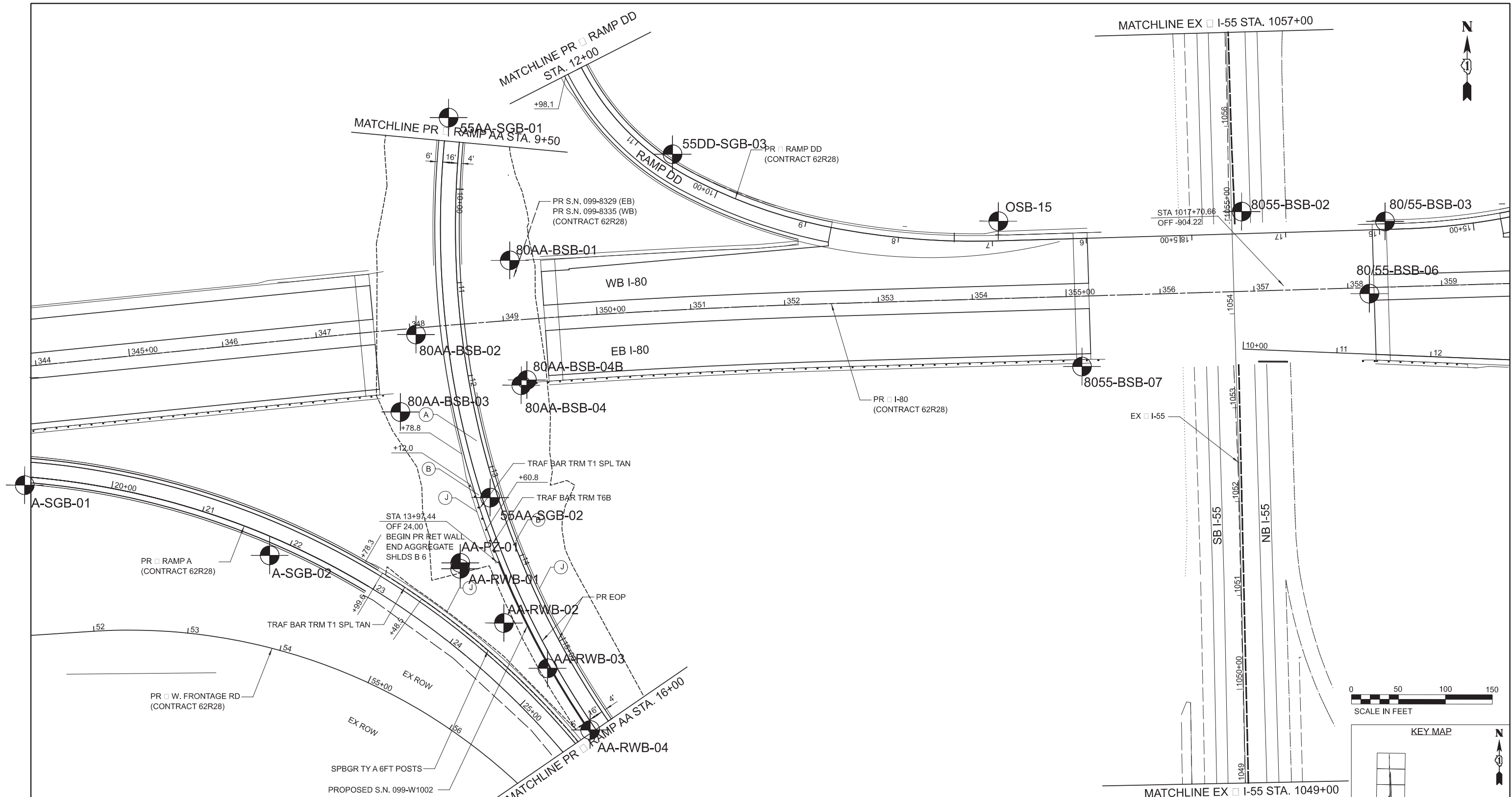


MATCHLINE EX I-55 STA. 1057+00

MATCHLINE PR RAMP DD STA. 12+00

MATCHLINE PR RAMP AA STA. 9+50

MATCHLINE EX I-55 STA. 1049+00



ROADWAY LEGEND	
(A) PORTLAND CEMENT CONCRETE PAVEMENT 10 3/4" (JOINTED) STABILIZED SUBBASE - HOT MOX ASPHALT 4" AGGREGATE SUBGRADE IMPROVEMENT 12"	(E) CONTINUOUSLY REINFORCED PORTLAND CEMENT CONCRETE PAVEMENT 11" PAVEMENT REINFORCEMENT STABILIZED SUBBASE - HOT MOX ASPHALT 4" AGGREGATE SUBGRADE IMPROVEMENT 12"
(B) PORTLAND CEMENT CONCRETE SHOULDERS 10 3/4" SUBBASE GRANULAR MATERIAL, TYPE C 4" AGGREGATE SUBGRADE IMPROVEMENT 12"	(F) HOT-MIX ASPHALT PAVEMENT (FULL-DEPTH), 7 3/4" AGGREGATE SUBGRADE IMPROVEMENT 12"
(C) HOT-MIX ASPHALT PAVEMENT (FULL-DEPTH), 15" AGGREGATE SUBGRADE IMPROVEMENT 12"	(G) CONCRETE BARRIER, SINGLE FACE, 44 INCH HEIGHT CONCRETE BARRIER BASE (SPECIAL NO. 1)
(D) HOT-MIX ASPHALT SHOULDERS, 15" AGGREGATE SUBGRADE IMPROVEMENT 12"	(H) CONCRETE BARRIER, SINGLE FACE, 44 INCH HEIGHT CONCRETE BARRIER BASE (SPECIAL NO. 2)
----- LIMITS OF CONSTRUCTION	(I) CONCRETE BARRIER, SINGLE FACE, 44 INCH HEIGHT CONCRETE BARRIER BASE (SPECIAL NO. 3)
	(J) AGGREGATE SHOULDERS, TYPE B 6"

MODEL: SMOBELNAMIES
FILENAME: 071025



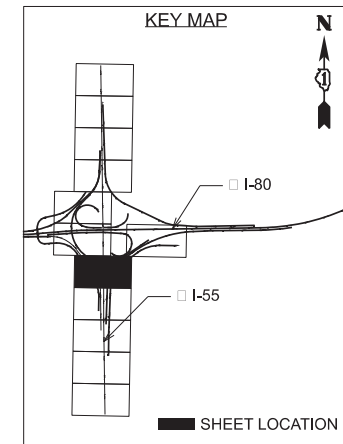
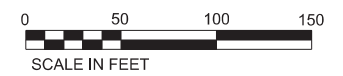
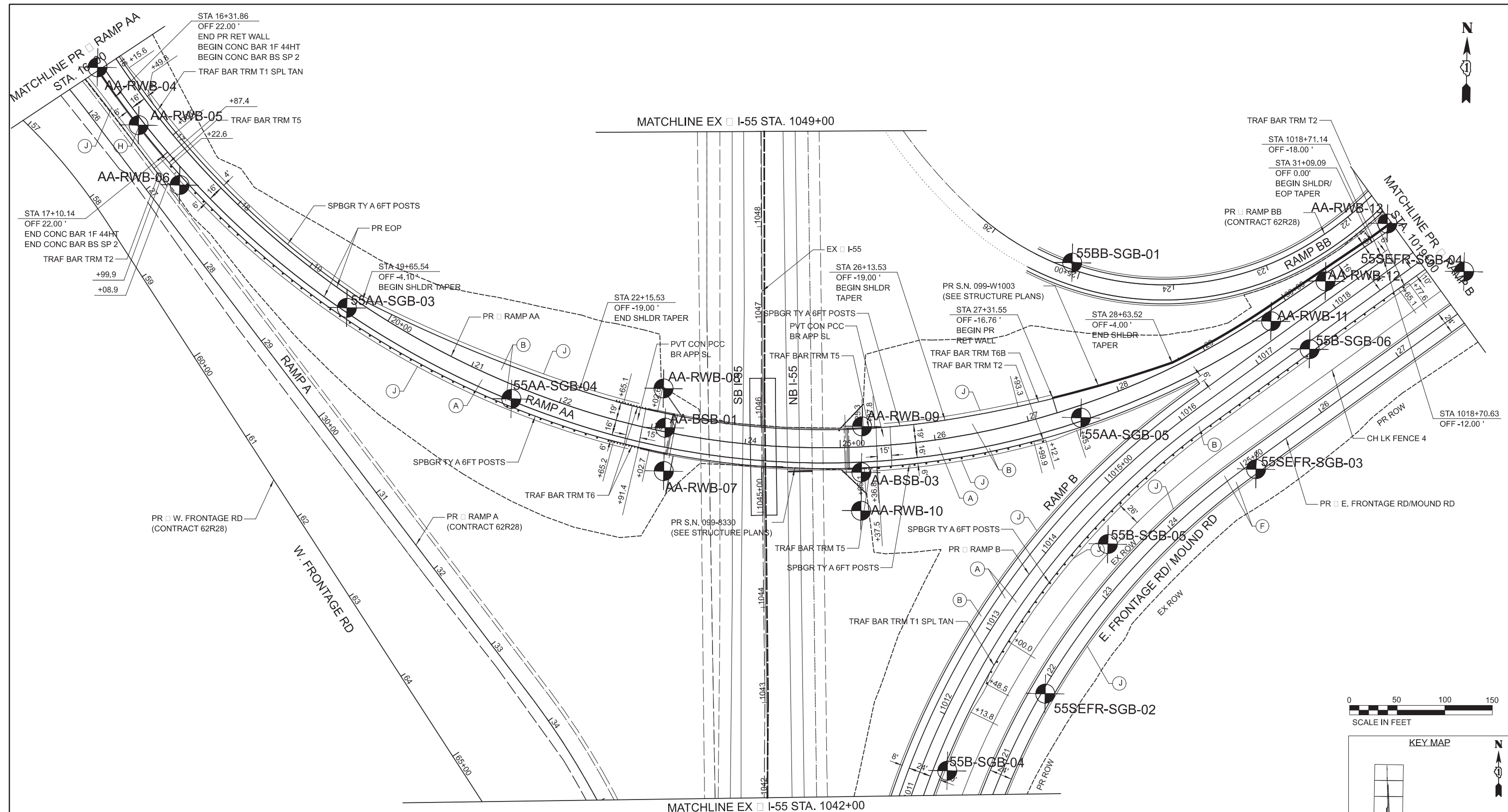
USER NAME = \$USERS	DESIGNED -	REVISED -
PLOT SCALE = \$SCALES	DRAWN -	REVISED -
PLOT DATE = \$DATES	CHECKED -	REVISED -
	DATE -	REVISED -

STATE OF ILLINOIS
DEPARTMENT OF TRANSPORTATION

ROADWAY PLAN

SCALE: SHEET 2 OF 9 SHEETS STA. TO STA.

F.A.I. RTE.	SECTION	COUNTY	TOTAL SHEETS	SHEET NO.
\$RTE	\$SEC	\$CNTY	\$TOT	\$PLN02
CONTRACT NO. \$CONTRACT				ILLINOIS FED. AID PROJECT



NOTES:
1. REFER TO SHEET SPLN03 FOR WORK TO BE COMPLETED ALONG INTERSTATE 55.

ROADWAY LEGEND	
(A) PORTLAND CEMENT CONCRETE PAVEMENT 10 3/4" (JOINTED) STABILIZED SUBBASE - HOT MOX ASPHALT 4" AGGREGATE SUBGRADE IMPROVEMENT 12"	(E) CONTINUOUSLY REINFORCED PORTLAND CEMENT CONCRETE PAVEMENT 11" PAVEMENT REINFORCEMENT STABILIZED SUBBASE - HOT MOX ASPHALT 4" AGGREGATE SUBGRADE IMPROVEMENT 12"
(B) PORTLAND CEMENT CONCRETE SHOULDERS 10 3/4" SUBBASE GRANULAR MATERIAL, TYPE C 4" AGGREGATE SUBGRADE IMPROVEMENT 12"	(F) HOT-MIX ASPHALT PAVEMENT (FULL-DEPTH), 7 3/4" AGGREGATE SUBGRADE IMPROVEMENT 12"
(C) HOT-MIX ASPHALT PAVEMENT (FULL-DEPTH), 15" AGGREGATE SUBGRADE IMPROVEMENT 12"	(G) CONCRETE BARRIER, SINGLE FACE, 44 INCH HEIGHT CONCRETE BARRIER BASE (SPECIAL NO. 1)
(D) HOT-MIX ASPHALT SHOULDERS, 15" AGGREGATE SUBGRADE IMPROVEMENT 12"	(H) CONCRETE BARRIER, SINGLE FACE, 44 INCH HEIGHT CONCRETE BARRIER BASE (SPECIAL NO. 2)
----- LIMITS OF CONSTRUCTION	(I) CONCRETE BARRIER, SINGLE FACE, 44 INCH HEIGHT CONCRETE BARRIER BASE (SPECIAL NO. 3)
	(J) AGGREGATE SHOULDERS, TYPE B 6"



USER NAME = \$USERS	DESIGNED -	REVISED -
PLOT SCALE = \$SCALE\$	DRAWN -	REVISED -
PLOT DATE = \$DATES	CHECKED -	REVISED -
	DATE -	REVISED -

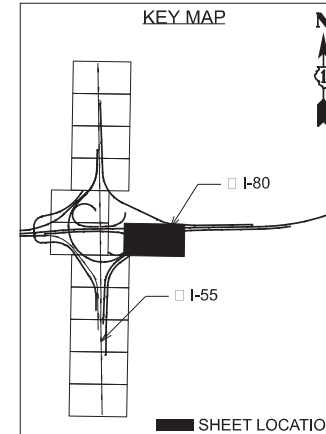
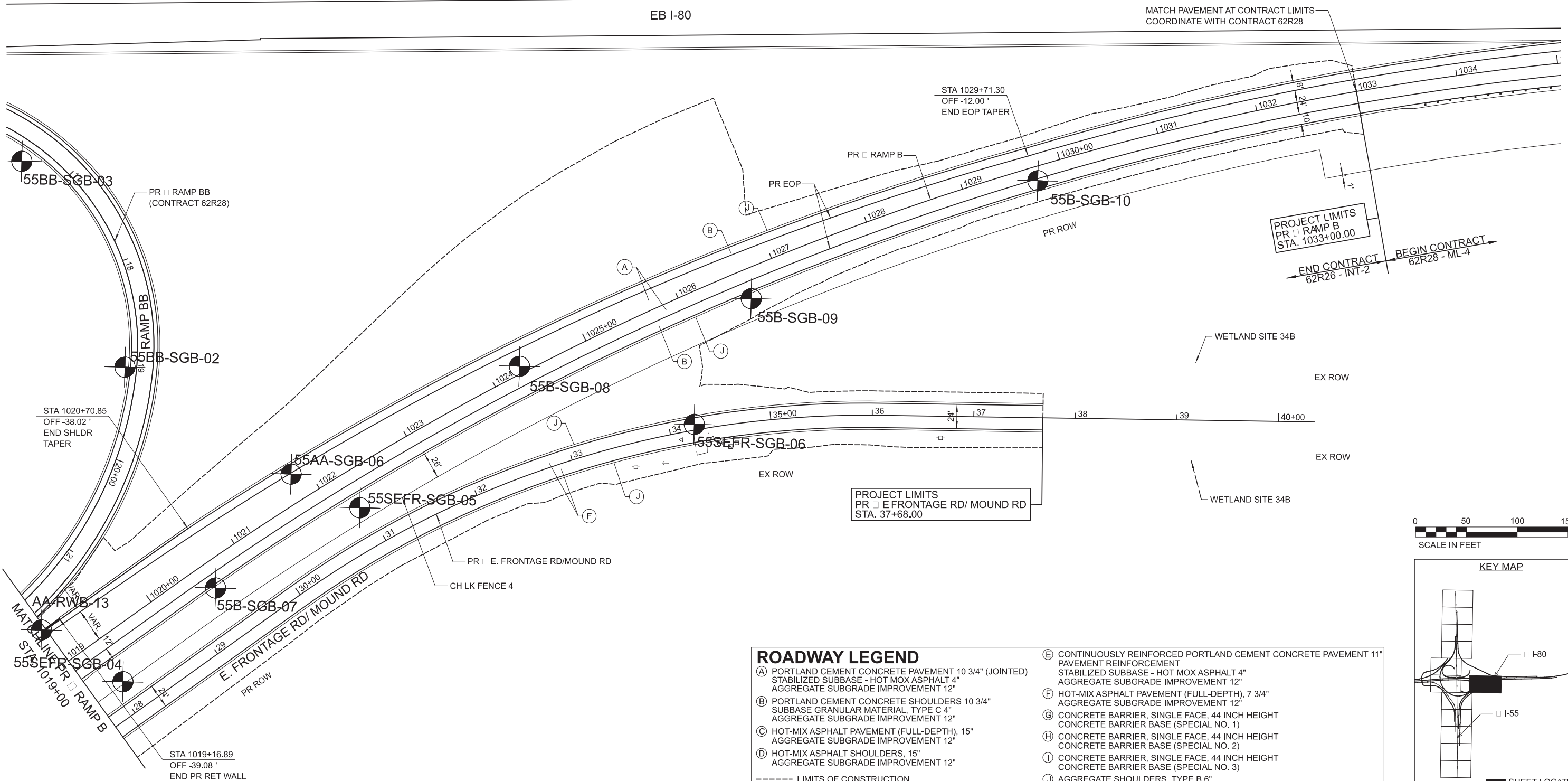
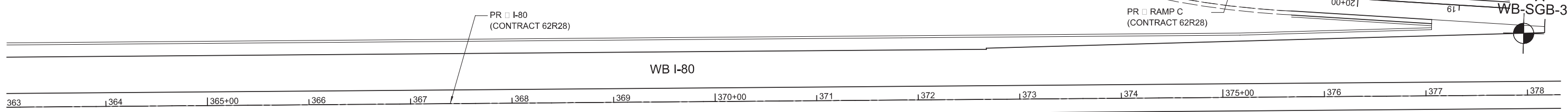
STATE OF ILLINOIS
DEPARTMENT OF TRANSPORTATION

ROADWAY PLAN

SCALE: SHEET 3 OF 9 SHEETS STA. TO STA.

F.A.I. RTE.	SECTION	COUNTY	TOTAL SHEETS NO.
\$RTE	\$SEC	\$CNTY	\$TOT \$PLN03
		CONTRACT NO. \$CONTRACT	
		ILLINOIS FED. AID PROJECT	

MODEL: \$MODELNAME\$
FILE NAME: \$FILES



ROADWAY LEGEND

- (A) PORTLAND CEMENT CONCRETE PAVEMENT 10 3/4" (JOINTED)
STABILIZED SUBBASE - HOT MOX ASPHALT 4"
AGGREGATE SUBGRADE IMPROVEMENT 12"
- (B) PORTLAND CEMENT CONCRETE SHOULDERS 10 3/4"
SUBBASE GRANULAR MATERIAL, TYPE C 4"
AGGREGATE SUBGRADE IMPROVEMENT 12"
- (C) HOT-MIX ASPHALT PAVEMENT (FULL-DEPTH), 15"
AGGREGATE SUBGRADE IMPROVEMENT 12"
- (D) HOT-MIX ASPHALT SHOULDERS, 15"
AGGREGATE SUBGRADE IMPROVEMENT 12"
- (E) CONTINUOUSLY REINFORCED PORTLAND CEMENT CONCRETE PAVEMENT 11"
PAVEMENT REINFORCEMENT
STABILIZED SUBBASE - HOT MOX ASPHALT 4"
AGGREGATE SUBGRADE IMPROVEMENT 12"
- (F) HOT-MIX ASPHALT PAVEMENT (FULL-DEPTH), 7 3/4"
AGGREGATE SUBGRADE IMPROVEMENT 12"
- (G) CONCRETE BARRIER, SINGLE FACE, 44 INCH HEIGHT
CONCRETE BARRIER BASE (SPECIAL NO. 1)
- (H) CONCRETE BARRIER, SINGLE FACE, 44 INCH HEIGHT
CONCRETE BARRIER BASE (SPECIAL NO. 2)
- (I) CONCRETE BARRIER, SINGLE FACE, 44 INCH HEIGHT
CONCRETE BARRIER BASE (SPECIAL NO. 3)
- (J) AGGREGATE SHOULDERS, TYPE B 6"
- LIMITS OF CONSTRUCTION

MODEL: \$MODELNAME\$
FILE NAME: \$FILES\$



USER NAME = \$USERS\$	DESIGNED -	REVISED -
PLOT SCALE = \$SCALES\$	DRAWN -	REVISED -
PLOT DATE = \$DATES\$	CHECKED -	REVISED -
	DATE -	REVISED -

**STATE OF ILLINOIS
DEPARTMENT OF TRANSPORTATION**

ROADWAY PLAN

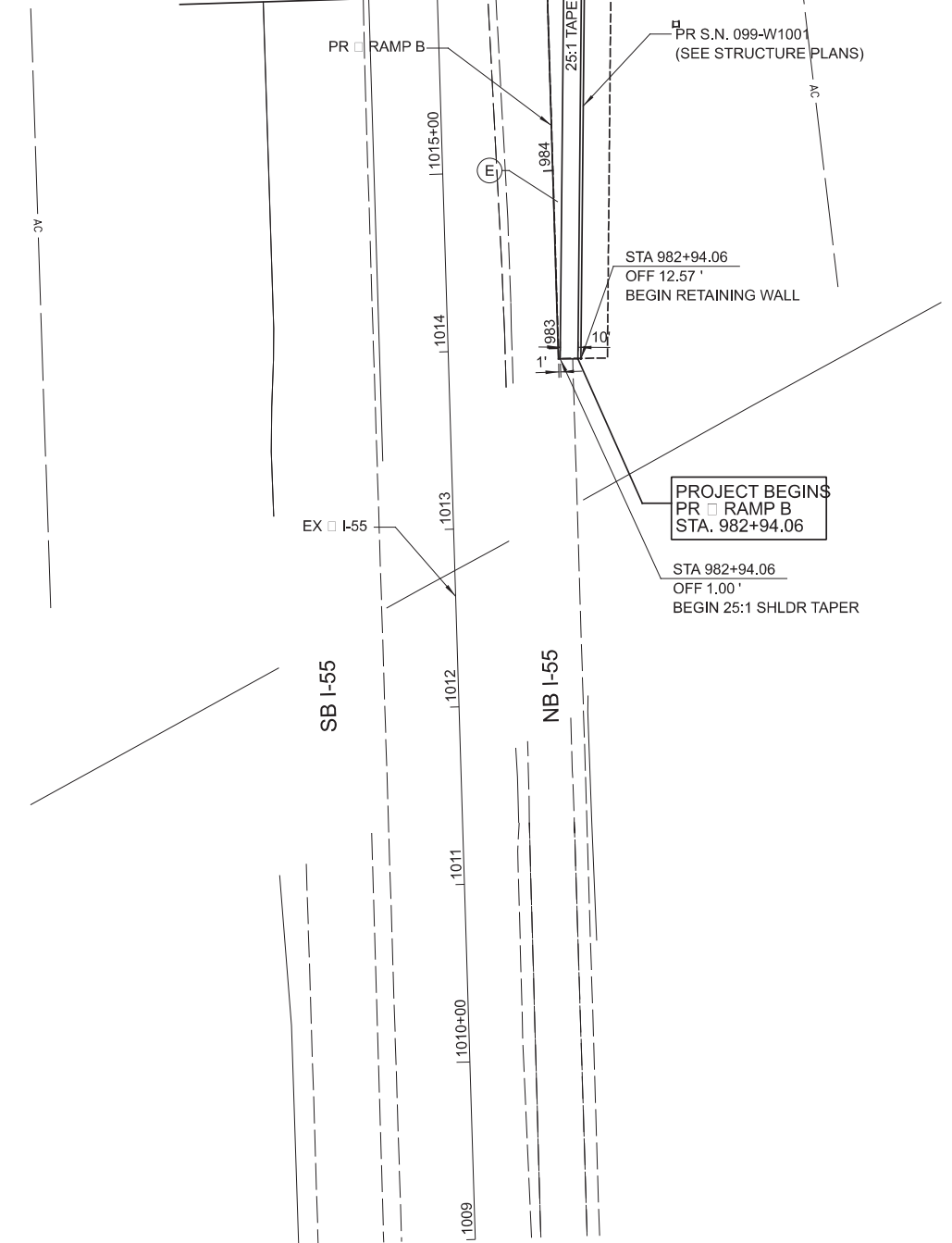
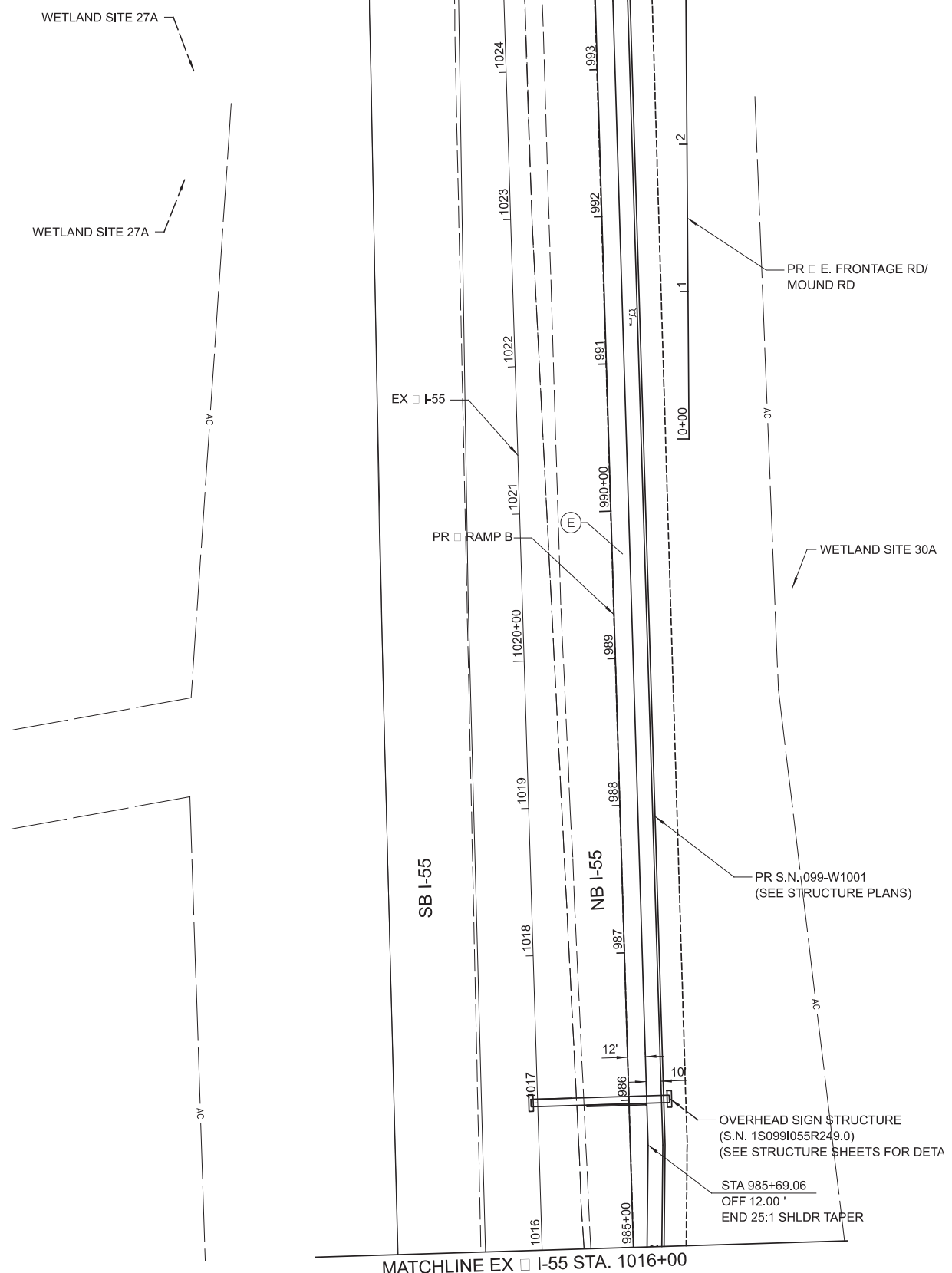
SCALE: SHEET 4 OF 9 SHEETS STA. TO STA.

F.A.I. RTE.	SECTION	COUNTY	TOTAL SHEETS	SHEET NO.
\$RTE\$	\$SEC\$	\$CNTY\$	\$TOT\$	\$PLN04\$
ILLINOIS FED. AD PROJECT			CONTRACT NO. \$CONTRACT\$	



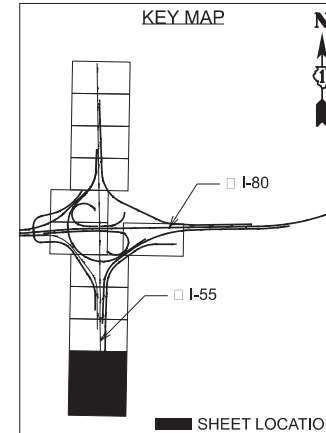
MATCHLINE EX I-55 STA. 1025+00

MATCHLINE EX I-55 STA. 1016+00



ROADWAY LEGEND

- (A) PORTLAND CEMENT CONCRETE PAVEMENT 10 3/4" (JOINTED)
STABILIZED SUBBASE - HOT MOX ASPHALT 4"
AGGREGATE SUBGRADE IMPROVEMENT 12"
 - (B) PORTLAND CEMENT CONCRETE SHOULDERS 10 3/4"
SUBBASE GRANULAR MATERIAL, TYPE C 4"
AGGREGATE SUBGRADE IMPROVEMENT 12"
 - (C) HOT-MIX ASPHALT PAVEMENT (FULL-DEPTH), 15"
AGGREGATE SUBGRADE IMPROVEMENT 12"
 - (D) HOT-MIX ASPHALT SHOULDERS, 15"
AGGREGATE SUBGRADE IMPROVEMENT 12"
 - (E) CONTINUOUSLY REINFORCED PORTLAND CEMENT CONCRETE PAVEMENT 11"
PAVEMENT REINFORCEMENT
STABILIZED SUBBASE - HOT MOX ASPHALT 4"
AGGREGATE SUBGRADE IMPROVEMENT 12"
 - (F) HOT-MIX ASPHALT PAVEMENT (FULL-DEPTH), 7 3/4"
AGGREGATE SUBGRADE IMPROVEMENT 12"
 - (G) CONCRETE BARRIER, SINGLE FACE, 44 INCH HEIGHT
CONCRETE BARRIER BASE (SPECIAL NO. 1)
 - (H) CONCRETE BARRIER, SINGLE FACE, 44 INCH HEIGHT
CONCRETE BARRIER BASE (SPECIAL NO. 2)
 - (I) CONCRETE BARRIER, SINGLE FACE, 44 INCH HEIGHT
CONCRETE BARRIER BASE (SPECIAL NO. 3)
 - (J) AGGREGATE SHOULDERS, TYPE B 6"
- LIMITS OF CONSTRUCTION



MODEL: S:\MODEL\NAMES
FILE NAMES: STPLS



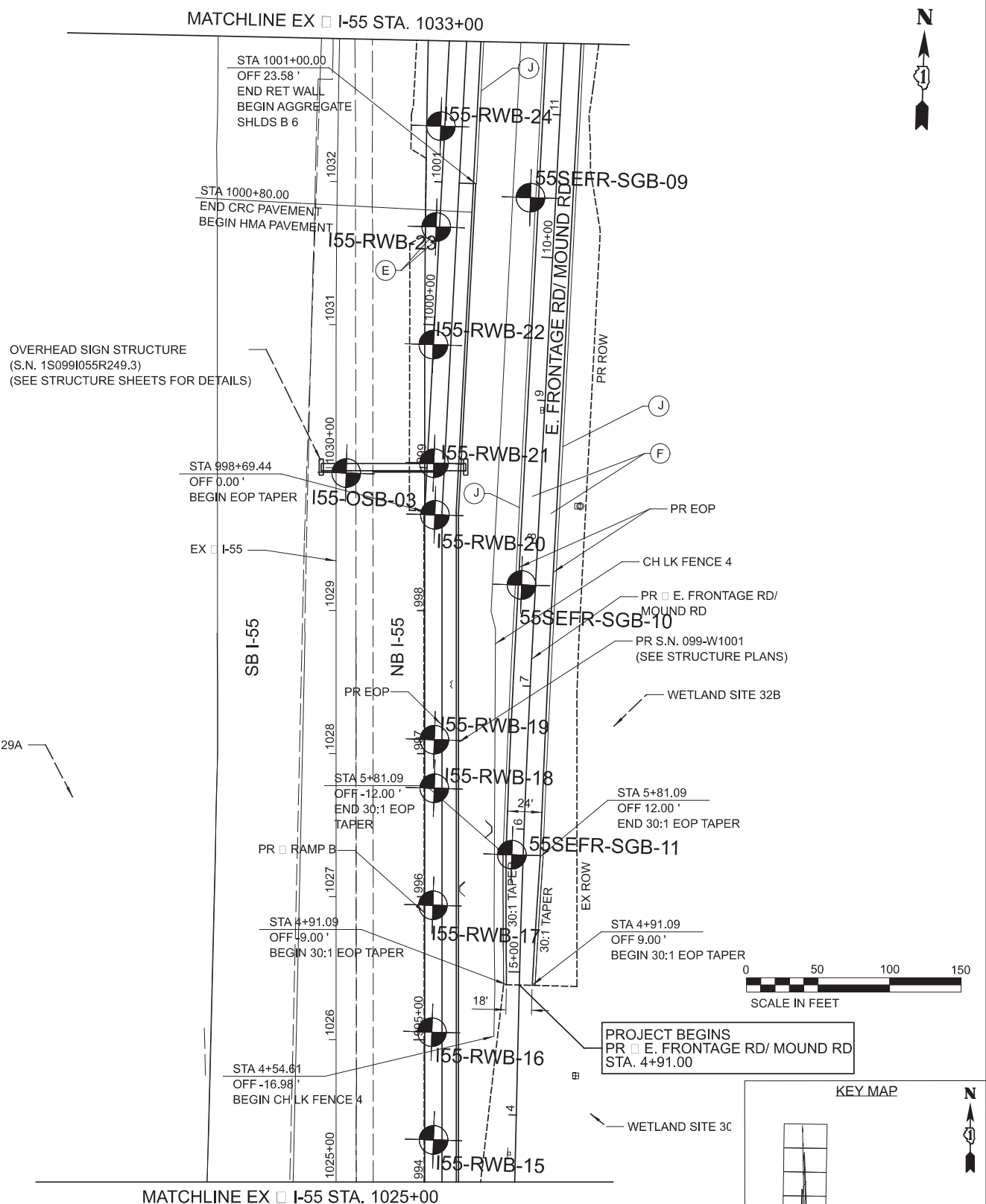
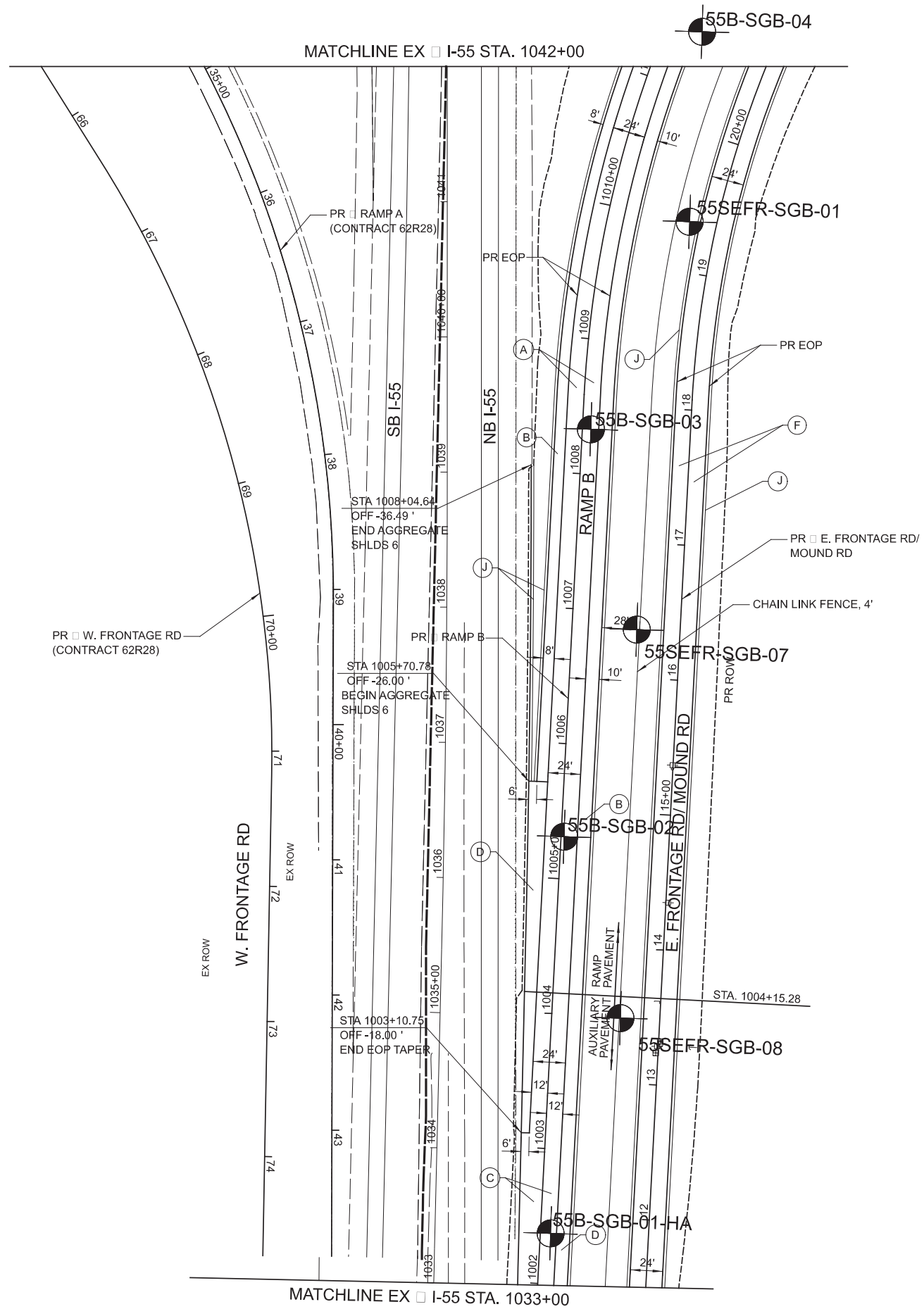
USER NAME = \$USERS	DESIGNED -	REVISED -
PLOT SCALE = \$SCALE\$	DRAWN -	REVISED -
PLOT DATE = \$DATE\$	CHECKED -	REVISED -
	DATE -	REVISED -

STATE OF ILLINOIS
DEPARTMENT OF TRANSPORTATION

ROADWAY PLAN

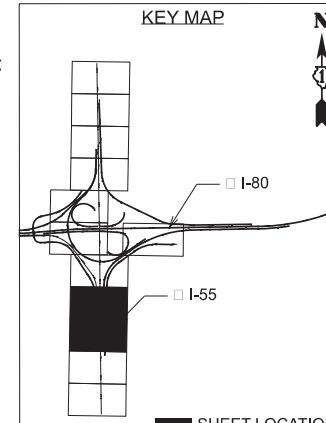
SCALE: SHEET 5 OF 9 SHEETS STA. TO STA.

F.A.I. RTE.	SECTION	COUNTY	TOTAL SHEETS	SHEET NO.
\$RTE	\$SEC	\$CNTY	\$TOT	\$PLN05
CONTRACT NO. \$CONTRACT				
ILLINOIS FED. AID PROJECT				



ROADWAY LEGEND

(A) PORTLAND CEMENT CONCRETE PAVEMENT 10 3/4" (JOINTED) STABILIZED SUBBASE - HOT MOX ASPHALT 4" AGGREGATE SUBGRADE IMPROVEMENT 12"	(E) CONTINUOUSLY REINFORCED PORTLAND CEMENT CONCRETE PAVEMENT 11" PAVEMENT REINFORCEMENT STABILIZED SUBBASE - HOT MOX ASPHALT 4" AGGREGATE SUBGRADE IMPROVEMENT 12"
(B) PORTLAND CEMENT CONCRETE SHOULDERS 10 3/4" SUBBASE GRANULAR MATERIAL, TYPE C 4" AGGREGATE SUBGRADE IMPROVEMENT 12"	(F) HOT-MIX ASPHALT PAVEMENT (FULL-DEPTH), 7 3/4" AGGREGATE SUBGRADE IMPROVEMENT 12"
(C) HOT-MIX ASPHALT PAVEMENT (FULL-DEPTH), 15" AGGREGATE SUBGRADE IMPROVEMENT 12"	(G) CONCRETE BARRIER, SINGLE FACE, 44 INCH HEIGHT CONCRETE BARRIER BASE (SPECIAL NO. 1)
(D) HOT-MIX ASPHALT SHOULDERS, 15" AGGREGATE SUBGRADE IMPROVEMENT 12"	(H) CONCRETE BARRIER, SINGLE FACE, 44 INCH HEIGHT CONCRETE BARRIER BASE (SPECIAL NO. 2)
----- LIMITS OF CONSTRUCTION	(I) CONCRETE BARRIER, SINGLE FACE, 44 INCH HEIGHT CONCRETE BARRIER BASE (SPECIAL NO. 3)
	(J) AGGREGATE SHOULDERS, TYPE B 6"



MODEL, MODELNAMES, FILENAMES, SHEETS

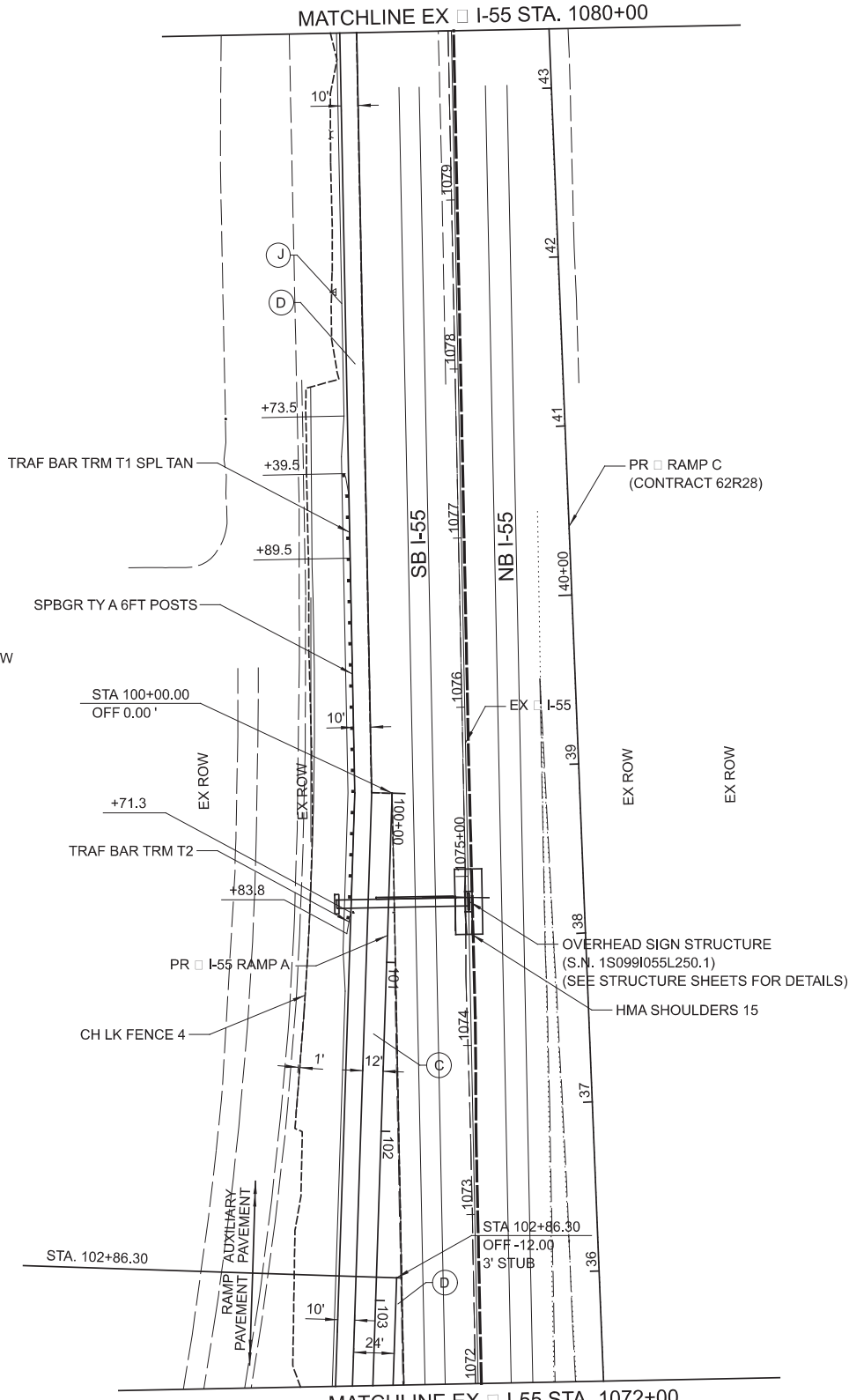
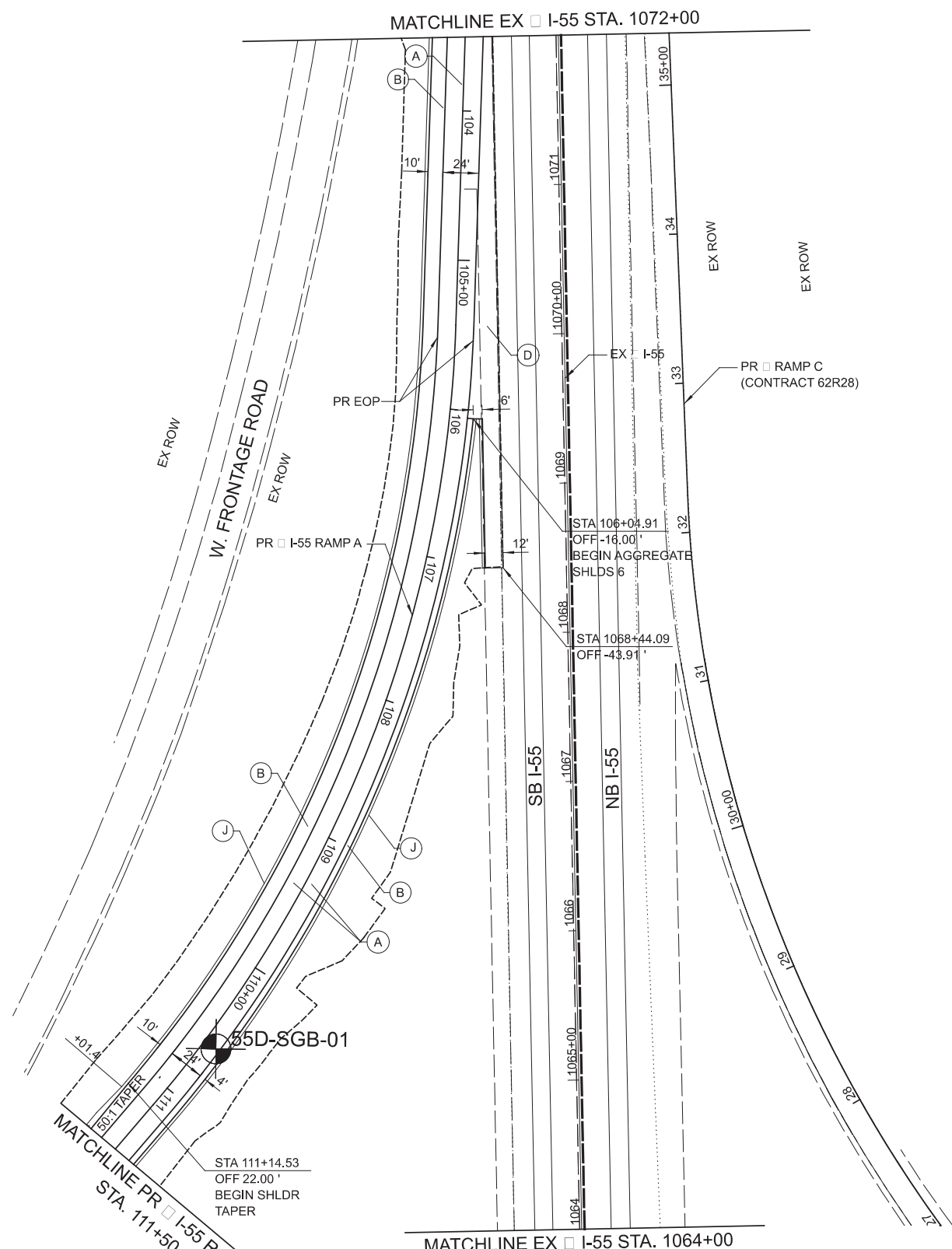


USER NAME = \$USERS	DESIGNED -	REVISED -
PLOT SCALE = \$SCALE\$	DRAWN -	REVISED -
PLOT DATE = \$DATES	CHECKED -	REVISED -
	DATE -	REVISED -

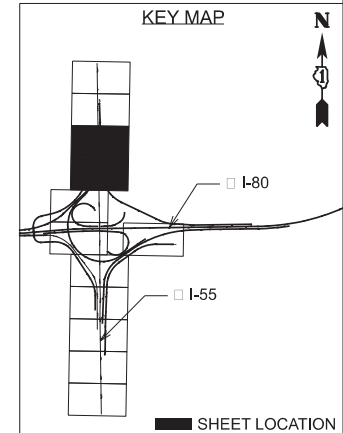
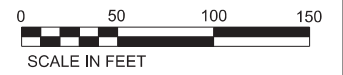
**STATE OF ILLINOIS
DEPARTMENT OF TRANSPORTATION**

ROADWAY PLAN	
SCALE:	TO STA.
SHEET 6 OF 9 SHEETS	STA.

F.A.I. RTE.	SECTION	COUNTY	TOTAL SHEETS NO.	SHEET NO.
\$RTE	\$SEC	\$CNTY	\$TOT	\$PLN06
CONTRACT NO. \$CONTRACT				
ILLINOIS FED. AID PROJECT				



- ROADWAY LEGEND**
- (A) PORTLAND CEMENT CONCRETE PAVEMENT 10 3/4" (JOINTED) STABILIZED SUBBASE - HOT MOX ASPHALT 4" AGGREGATE SUBGRADE IMPROVEMENT 12"
 - (B) PORTLAND CEMENT CONCRETE SHOULDERS 10 3/4" SUBBASE GRANULAR MATERIAL, TYPE C 4" AGGREGATE SUBGRADE IMPROVEMENT 12"
 - (C) HOT-MIX ASPHALT PAVEMENT (FULL-DEPTH), 15" AGGREGATE SUBGRADE IMPROVEMENT 12"
 - (D) HOT-MIX ASPHALT SHOULDERS, 15" AGGREGATE SUBGRADE IMPROVEMENT 12"
 - (E) CONTINUOUSLY REINFORCED PORTLAND CEMENT CONCRETE PAVEMENT 11" PAVEMENT REINFORCEMENT STABILIZED SUBBASE - HOT MOX ASPHALT 4" AGGREGATE SUBGRADE IMPROVEMENT 12"
 - (F) HOT-MIX ASPHALT PAVEMENT (FULL-DEPTH), 7 3/4" AGGREGATE SUBGRADE IMPROVEMENT 12"
 - (G) CONCRETE BARRIER, SINGLE FACE, 44 INCH HEIGHT CONCRETE BARRIER BASE (SPECIAL NO. 1)
 - (H) CONCRETE BARRIER, SINGLE FACE, 44 INCH HEIGHT CONCRETE BARRIER BASE (SPECIAL NO. 2)
 - (I) CONCRETE BARRIER, SINGLE FACE, 44 INCH HEIGHT CONCRETE BARRIER BASE (SPECIAL NO. 3)
 - (J) AGGREGATE SHOULDERS, TYPE B 6"
- LIMITS OF CONSTRUCTION



MODEL: S:\MODELS\NAMES FILE NAMES: STILES



USER NAME = \$USERS	DESIGNED -	REVISED -
PLOT SCALE = \$SCALE\$	DRAWN -	REVISED -
PLOT DATE = \$DATES	CHECKED -	REVISED -
	DATE -	REVISED -

STATE OF ILLINOIS
DEPARTMENT OF TRANSPORTATION

ROADWAY PLAN	
SCALE:	SHEET 7 OF 9 SHEETS STA. TO STA.

F.A.I. RTE.	SECTION	COUNTY	TOTAL SHEETS NO.	SHEET NO.
\$RTE	\$SEC	\$CNTY	\$TOT	\$PLN07
CONTRACT NO. \$CONTRACT				
ILLINOIS FED. AID PROJECT				