

CODE NO.	ITEM	UNIT	TOTAL QUANTITY	CONSTRUCTION CODE		
				80% FED	80% FED	80% FED
				20% STATE	20% STATE	20% STATE
				BOX CULVERT	BOX CULVERT	RETAINING WALL
				0004	0004	0044
				016-1668	016-8300	016-W2508
** 20100110	TREE REMOVAL (6 TO 15 UNITS DIAMETER)	UNIT	86	7	17	62
** 20100210	TREE REMOVAL (OVER 15 UNITS DIAMETER)	UNIT	40	20		20
** 20100500	TREE REMOVAL, ACRES	ACRE	0.25	0.16	0.09	
20101000	TEMPORARY FENCE	FOOT	132	110	22	
20101100	TREE TRUNK PROTECTION	EACH	10	6	3	1
20101200	TREE ROOT PRUNING	EACH	1			1
20101700	SUPPLEMENTAL WATERING	UNIT	1.6	0.3	1.3	
20200100	EARTH EXCAVATION	CU YD	258	243	15	
20201200	REMOVAL AND DISPOSAL OF UNSUITABLE MATERIAL	CU YD	205	205		
20800150	TRENCH BACKFILL	CU YD	112	92	20	
21001000	GEOTECHNICAL FABRIC FOR GROUND STABILIZATION	SQ YD	319	285	34	
21101615	TOPSOIL FURNISH AND PLACE, 4"	SQ YD	1,391	1,308	83	
21400100	GRADING AND SHAPING DITCHES	FOOT	35	35		
** 25000210	SEEDING, CLASS 2A	ACRE	0.25	0.15	0.1	

* = SPECIAL PROVISION
** = SPECIALTY ITEM
*** = SPECIAL PROVISION & SPECIALTY ITEM

MODEL: Default
FILE: M:\GIS\proj\atlases-pw-bentley.com\atlases-pw-01\Documents\Projects\10011001_CV_008002110_CAD\9_Sheets\01_General\0162794_SHT-500.dgn



USER NAME = cpujari	DESIGNED - CVP	REVISED -
	DRAWN - CVP	REVISED -
PLOT SCALE = 40.0000' / in.	CHECKED - BA	REVISED +
PLOT DATE = 6/12/2024	DATE -	REVISED -

**STATE OF ILLINOIS
DEPARTMENT OF TRANSPORTATION**

**SUMMARY OF QUANTITIES
123RD STREET & 93RD AVENUE**

SCALE: N.T.S. SHEET 1 OF 9 SHEETS STA. TO STA.

F.A.U. RTE.	SECTION	COUNTY	TOTAL SHEETS	SHEET NO.
1587	FAU 1587 22 CR	COOK	66	3
CONTRACT NO. 62T94			ILLINOIS FED. AID PROJECT	

△ REVISED SHEET 9/6/2024

CODE NO.	ITEM	UNIT	TOTAL QUANTITY	CONSTRUCTION CODE		
				80% FED 20% STATE	80% FED 20% STATE	80% FED 20% STATE
				BOX CULVERT	BOX CULVERT	RETAINING WALL
				0004	0004	0044
				016-1668	016-8300	016-W2508
** 25000312	SEEDING, CLASS 4A	ACRE	0.25	0.16	0.09	
** 25000400	NITROGEN FERTILIZER NUTRIENT	POUND	26	24	2	
** 25000500	PHOSPHORUS FERTILIZER NUTRIENT	POUND	26	24	2	
** 25000600	POTASSIUM FERTILIZER NUTRIENT	POUND	26	24	2	
25100630	EROSION CONTROL BLANKET	SQ YD	1,369	1,309	60	
** 25200110	SODDING, SALT TOLERANT	SQ YD	23	23		
28000250	TEMPORARY EROSION CONTROL SEEDING	POUND	28	26	2	
28000305	TEMPORARY DITCH CHECKS	FOOT	96	80	16	
** 28000400	PERIMETER EROSION BARRIER	FOOT	830	739	91	
** 28000500	INLET AND PIPE PROTECTION	EACH	2	2		
28001100	TEMPORARY EROSION CONTROL BLANKET	SQ YD	1,346	1,263	83	
28100105	STONE RIPRAP, CLASS A3	SQ YD	3			3
28100107	STONE RIPRAP, CLASS A4	SQ YD	234	180	54	
28200200	FILTER FABRIC	SQ YD	234	180	54	

* = SPECIAL PROVISION
 ** = SPECIALTY ITEM
 *** = SPECIAL PROVISION & SPECIALTY ITEM

MODEL: Default
 FILE: N:\atlas-pw\atlas-pw-bentley.com\atlas-pw-01\Documents\Projects\10011001_CV_008002110_CAD\9_Sheets\01_General\0162T94_SHT-500.dgn

AEG ATLAS ENGINEERING GROUP, LTD.

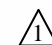
USER NAME = cpujari	DESIGNED - CVP	REVISED -
DRAWN - CVP	REVISIONS -	
PLOT SCALE = 40.0000' / in.	CHECKED - BA	REVISED -
PLOT DATE = 6/12/2024	DATE -	REVISED -

**STATE OF ILLINOIS
 DEPARTMENT OF TRANSPORTATION**

**SUMMARY OF QUANTITIES
 123RD STREET & 93RD AVENUE**

SCALE: N.T.S. SHEET 2 OF 9 SHEETS STA. TO STA.

F.A.U. RTE.	SECTION	COUNTY	TOTAL SHEETS	SHEET NO.
1587	FAU 1587 22 CR	COOK	66	4
CONTRACT NO. 62T94			ILLINOIS FED. AID PROJECT	

 REVISED SHEET 9/6/2024

CODE NO.	ITEM	UNIT	TOTAL QUANTITY	CONSTRUCTION CODE		
				80% FED	80% FED	80% FED
				20% STATE	20% STATE	20% STATE
				BOX CULVERT	BOX CULVERT	RETAINING WALL
0004	0004	0044				
				016-1668	016-8300	016-W2508
* 3030001	AGGREGATE SUBGRADE IMPROVEMENT	CU YD	105	94	11	
* 3030012	AGGREGATE SUBGRADE IMPROVEMENT 12"	SQ YD	1,272	1,138	134	
35501308	HOT-MIX ASPHALT BASE COURSE, 6"	SQ YD	137	37	100	
40600275	BITUMINOUS MATERIALS (PRIME COAT)	POUND	2,860	2,560	300	
40600290	BITUMINOUS MATERIALS (TACK COAT)	POUND	573	513	60	
40600370	LONGITUDINAL JOINT SEALANT	FOOT	930	830	100	
40604060	HOT-MIX ASPHALT SURFACE COURSE, IL-9.5, MIX "D", N50	TON	16	4.5	11.5	
40701921	HOT-MIX ASPHALT PAVEMENT (FULL-DEPTH), 12"	SQ YD	1,272	1,138	134	
42001300	PROTECTIVE COAT	SQ YD	40	19	19	2
44000100	PAVEMENT REMOVAL	SQ YD	1,317	1,183	134	
44000200	DRIVEWAY PAVEMENT REMOVAL	SQ YD	137	36	101	
44000500	COMBINATION CURB AND GUTTER REMOVAL	FOOT	618	503	115	
48102100	AGGREGATE WEDGE SHOULDER, TYPE B	TON	12	11	1	
48203021	HOT-MIX ASPHALT SHOULDERS, 6"	SQ YD	271	248	23	

* = SPECIAL PROVISION
 ** = SPECIALTY ITEM
 *** = SPECIAL PROVISION & SPECIALTY ITEM

MODEL: Default
 FILE: N:\atlas-pw-bentley.com\atlas-pw-d\Documents\Projects\10011001_CV_008002110_CAD\3_Sheets\01_General\0162794_SHT-500.dgn



USER NAME = cpujari	DESIGNED - CVP	REVISED -
	DRAWN - CVP	REVISED -
PLOT SCALE = 40.0000 ' / in.	CHECKED - BA	REVISED +
PLOT DATE = 6/12/2024	DATE -	REVISED +

**STATE OF ILLINOIS
 DEPARTMENT OF TRANSPORTATION**

**SUMMARY OF QUANTITIES
 123RD STREET & 93RD AVENUE**

SCALE: N.T.S. SHEET 3 OF 9 SHEETS STA. TO STA.

REVISED SHEET 9/6/2024

F.A.U. RTE.	SECTION	COUNTY	TOTAL SHEETS	SHEET NO.
1587	FAU 1587 22 CR	COOK	66	5
CONTRACT NO. 62T94				
ILLINOIS FED. AID PROJECT				

CODE NO.	ITEM	UNIT	TOTAL QUANTITY	CONSTRUCTION CODE		
				80% FED 20% STATE	80% FED 20% STATE	80% FED 20% STATE
				BOX CULVERT	BOX CULVERT	RETAINING WALL
				0004	0004	0044
				016-1668	016-8300	016-W2508
60500060	REMOVING INLETS	EACH	3	3		
60600605	CONCRETE CURB, TYPE B	FOOT	29	29		
60602800	CONCRETE GUTTER, TYPE B	FOOT	91			91
60603800	COMBINATION CONCRETE CURB AND GUTTER, TYPE B-6.12	FOOT	67		67	
** 63000001	STEEL PLATE BEAM GUARDRAIL, TYPE A, 6 FOOT POSTS	FOOT	225	225		
** 63000003	STEEL PLATE BEAM GUARDRAIL, TYPE A, 9 FOOT POSTS	FOOT	162.5	87.5	75	
** 63000030	STRONG POST GUARDRAIL ATTACHED TO CULVERT	FOOT	62.5	37.5	25	
** 63100045	TRAFFIC BARRIER TERMINAL, TYPE 2	EACH	3	2	1	
** 63100167	TRAFFIC BARRIER TERMINAL, TYPE 1 (SPECIAL) TANGENT	EACH	4	3	1	
63200310	GUARDRAIL REMOVAL	FOOT	374	374		
** 66900200	NON-SPECIAL WASTE DISPOSAL	CU YD	260	260		
** 66900530	SOIL DISPOSAL ANALYSIS	EACH	2	1	1	
** 66901001	REGULATED SUBSTANCES PRE-CONSTRUCTION PLAN	L SUM	1	0.34	0.33	0.33
** 66901003	REGULATED SUBSTANCES FINAL CONSTRUCTION REPORT	L SUM	1	0.34	0.33	0.33

* = SPECIAL PROVISION
 ** = SPECIALTY ITEM
 *** = SPECIAL PROVISION & SPECIALTY ITEM

MODEL: Default
 FILE NAME: p:\atlantis-pw-beentley.com\atlantis-pw-011\Documents\Projects\10011001_CV_008002110_CAD\3_Sheets\01_General\0162794-SHT-500.dgn



USER NAME = cpujari	DESIGNED - CVP	REVISED -
	DRAWN - CVP	REVISED -
PLOT SCALE = 40.0000' / in.	CHECKED - BA	REVISED -
PLOT DATE = 6/12/2024	DATE -	REVISED -

**STATE OF ILLINOIS
 DEPARTMENT OF TRANSPORTATION**

**SUMMARY OF QUANTITIES
 123RD STREET & 93RD AVENUE**

SCALE: N.T.S. | SHEET 6 OF 9 SHEETS | STA. TO STA.

F.A.U. RTE.	SECTION	COUNTY	TOTAL SHEETS	SHEET NO.
1587	FAU 1587 22 CR	COOK	66	8
CONTRACT NO. 62T94			ILLINOIS FED. AID PROJECT	

REVISED SHEET 9/6/2024

CODE NO.	ITEM			UNIT
20100110	TREE REMOVAL (6 TO 15 UNITS DIAMETER)			UNIT
STATION	OFFSET	LT/RT	QUANTITY	
S.N. 016-1668				
114+70	33	LT	7	
114+92	23	LT	7	
114+92	29	LT	14	
115+00	28	LT	7	
115+07	28	LT	12	
115+21	28	LT	14	
115+53	31	LT	8	
TOTAL:			69	
S.N. 016-8300				
124+74	27	RT	7	
124+80	17	RT	10	
TOTAL:			17	
TOTAL:			86	

CODE NO.	ITEM			UNIT
20100210	TREE REMOVAL (OVER 15 UNITS DIAMETER)			UNIT
STATION	OFFSET	LT/RT	QUANTITY	
S.N. 016-1668				
115+57	31	LT	20	
S.N. 016-W2508				
114+34	26	LT	20	
TOTAL:			40	

CODE NO.	ITEM			UNIT
20100500	TREE REMOVAL, ACRES			ACRES
STATION	STATION	LT/RT	QUANTITY	
S.N. 016-1668				
114+10	114+47	LT	0.02	
114+27	117+20	RT	0.14	
S.N. 016-8300				
124+49	125+16	RT	0.01	
124+74	125+16	LT	0.01	
TOTAL:			0.25	

CODE NO.	ITEM			UNIT
20101000	TEMPORARY FENCE			FOOT
STATION	STATION	LT/RT	QUANTITY	
S.N. 016-1668				
114+23	115+25	RT	104	
114+31	114+33	LT	6	
S.N. 016-8300				
124+49	124+65	RT	22	
TOTAL:			132	

CODE NO.	ITEM			UNIT
20101100	TREE TRUNK PROTECTION			EACH
STATION	OFFSET	LT/RT	QUANTITY	
S.N. 016-1668				
114+32	43	LT	1	
114+67	40	LT	1	
115+52	100	LT	1	
114+22	49	RT	1	
114+40	53	RT	1	
114+49	54	RT	1	
115+35	41	RT	1	
TOTAL:			7	
S.N. 016-8300				
124+73	44	RT	1	
124+74	41	RT	1	
124+73	41	RT	1	
TOTAL:			3	
TOTAL:			10	

CODE NO.	ITEM			UNIT
28000500	INLET AND PIPE PROTECTION			EACH
STATION	OFFSET	LT/RT	QUANTITY	
S.N. 016-1668				
113+72	12	LT	1	
113+73	13	RT	1	
TOTAL:			1	
TOTAL:			2	

CODE NO.	ITEM			UNIT
44000200	DRIVEWAY PAVEMENT REMOVAL			SQ YD
STATION	STATION	QUANTITY (SQ YD)		
113+93	114+19	36		
124+49	125+37	101		
TOTAL:			137	

CODE NO.	ITEM			UNIT
20101200	TREE ROOT PRUNING			EACH
STATION	OFFSET	LT/RT	QUANTITY	
S.N. 016-1668				
115+34	42	LT	1	
TOTAL:			1	

CODE NO.	ITEM				UNIT
25200110	TOPSOIL FURNISH AND PLACE, 4"				SQ YD
STA	LT/RT	STA	LT/RT	QUANTITY	
S.N. 016-1668					
114+10	LT	115+76	LT	284	
115+93	LT	117+20	LT	224	
113+85	RT	117+20	RT	800	
S.N. 016-8300					
124+73	LT	125+17	LT	23	
124+49	RT	125+15	RT	33	
124+53	RT	124+73	RT	17	
125+08	RT	125+15	RT	9	
TOTAL:			1,391		

CODE NO.	ITEM			UNIT
44000100	PAVEMENT REMOVAL			SQ YD
STATION	STATION	QUANTITY (SQ YD)		
114+00	117+20	1183		
124+65	125+15	134		
TOTAL:			1317	

CODE NO.	ITEM			UNIT
28100105	STONE RIPRAP, CLASS A3			SQ YD
STATION	OFFSET	LT/RT	QUANTITY	
S.N. 016-1668				
115+43	31	LT	3	
TOTAL:			3	

CODE NO.	ITEM			UNIT
44000500	COMBINATION CURB AND GUTTER REMOVAL			FOOT
STATION	STATION	LT/RT	QUANTITY	
113+85	115+53	LT	168.0	
113+85	117+20	RT	335.0	
124+49	125+15	LT	67.0	
124+65	125+12	RT	48.0	
TOTAL:			618	

CODE NO.	ITEM			UNIT
63200310	GUARDRAIL REMOVAL			FOOT
STATION	STATION	LT/RT	QUANTITY	
114+15	115+65	LT	151.0	
113+59	114+61	RT	103.0	
117+39	117+68	LT	30.0	
500+27	501+14	LT	90.0	
TOTAL:			374	

CODE NO.	ITEM			UNIT
X4810200	AGGREGATE SHOULDER REMOVAL			CU YD
STATION	STATION	LT/RT	QUANTITY	
113+85	115+86	RT	5	
115+94	116+60	LT	2	
124+65	125+15	RT	2	
TOTAL:			9	

CODE NO.	ITEM			UNIT
25000210	SEEDING, CLASS 2A			ACRE
STATION	STATION	OFFSET	QUANTITY	
114+14	115+76	LT	0.032	
115+93	116+32	LT	0.023	
114+79	117+20	RT	0.033	
124+49	125+15	RT	0.007	
ROUNDING				0.09
TOTAL:			0.25	

CODE NO.	ITEM			UNIT
25000310	SEEDING, CLASS 4A			ACRE
STATION	STATION	OFFSET	QUANTITY	
114+10	114+47	LT	0.008	
116+17	117+20	LT	0.023	
113+85	117+20	RT	0.123	
124+53	124+73	RT	0.004	
125+08	125+15	RT	0.002	
ROUNDING				0.16
TOTAL:			0.25	

CODE NO.	ITEM			UNIT
25200110	SODDING, SALT TOLERANT			SQ YD
STATION	STATION	OFFSET	QUANTITY	
124+73	125+17	LT	23	
TOTAL:			23	

CODE NO.	ITEM			UNIT
30300001	AGGREGATE SUBGRADE IMPROVEMENT			CU YD
STATION	STATION	QUANTITY		
113+85	117+20	75		
124+65	125+15	19		
93RD AVE				
500+12	500+92	11		
TOTAL:			105	

CODE NO.	ITEM			UNIT
30300112	AGGREGATE SUBGRADE IMPROVEMENT 12"			SQ YD
STATION	STATION	QUANTITY		
S.N. 016-1668				
113+85	117+20	903		
500+12	500+92	234		
S.N. 016-8300				
124+65	125+15	134		
TOTAL:			1271	

CODE NO.	ITEM			UNIT
35501308	HOT-MIX ASPHALT BASE COURSE, 6"			SQ YD
STATION	STATION	QUANTITY		
113+93	114+19	36.8		
124+49	125+37	100.2		
TOTAL:			137.0	

CODE NO.	ITEM			UNIT
40604060	HOT-MIX ASPHALT SURFACE COURSE, 1L-9.5, MIX "D", N50			TON
STATION	STATION	QUANTITY		
DRIVEWAY				
113+93	114+19	4.5		
124+49	125+37	11.5		
TOTAL:			16.0	

CODE NO.	ITEM			UNIT
40701921	HOT-MIX ASPHALT PAVEMENT (FULL-DEPTH), 12"			SQ YD
STATION	STATION	QUANTITY		
S.N. 016-1668				
113+85	117+20	903		
500+12	500+92	234		
S.N. 016-8300				
124+65	125+15	134		
TOTAL:			1271	

CODE NO.	ITEM			UNIT
42001300	PROTECTIVE COAT			SQ YD
STATION	STATION	OFFSET	QUANTITY	
S.N. 016-W2508				
114+71	115+57	LT	19	
S.N. 016-8300				
124+65	125+15	LT	12	
124+74	125+17	LT	8	
S.N. 016-1668				
113+85	113+95	LT	1	
117+02	117+20	LT	1	
TOTAL:			40	

CODE NO.	ITEM			UNIT
48102100	AGGREGATE WEDGE SHOULDER, TYPE B			TON
STATION	STATION	QUANTITY		
114+79	117+20	11.1		
124+83	125+07	0.8		
TOTAL:			11.9	

CODE NO.	ITEM			UNIT
48203021	HOT-MIX ASPHALT SHOULDERS, 6"			SQ YD
STATION	OFFSET	STATION	OFFSET	QUANTITY
123RD STREET				
113+85	RT	117+20	RT	143
114+17	LT	115+60	LT	61
116+17	LT	117+20	LT	44
124+65	RT	125+15	RT	23
TOTAL:			271	

CODE NO.	ITEM			UNIT
60600605	CONCRETE CURB, TYPE B			FOOT
STATION	STATION	QUANTITY		
113+85	113+95	11		
117+10	117+20	18		
TOTAL:			29	

CODE NO.	ITEM			UNIT
60602800	CONCRETE GUTTER, TYPE B			FOOT
STATION	STATION	QUANTITY		
114+71	115+57	91		
TOTAL:			91	

REVISED SHEET 9/6/2024

MODEL: Default FILE: \\atl-pxw-beh\pww\j10\Documents\Projects\110111001_CV_008\002\10_CAD\3_Sheets\01_General\0162794-rt-scheduleofquantities_Aed01.dgn



USER NAME = astrashimirov
 PLOT SCALE = 100.0000' / in.
 PLOT DATE = 8/15/2024

DESIGNED - NJ
 DRAWN - NJ
 CHECKED - BA
 DATE -
 REVISED - ADDENDUM 8/15/2024
 REVISED -
 REVISED -
 REVISED -

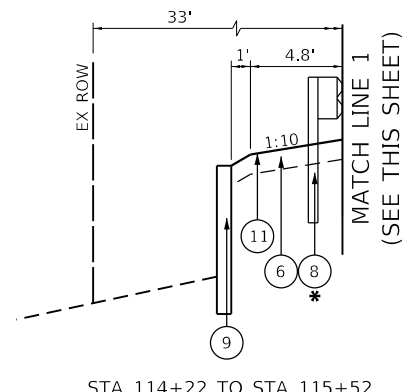
STATE OF ILLINOIS
 DEPARTMENT OF TRANSPORTATION

SCHEDULE OF QUANTITIES
 123RD STREET & 93RD AVENUE

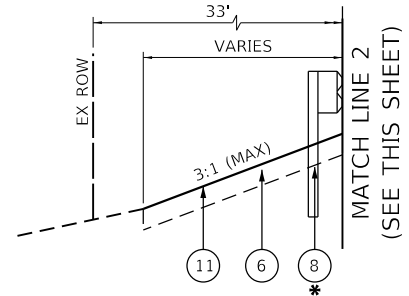
SCALE: N.T.S. SHEET 1 OF 2 SHEETS STA. TO STA.

F.A.U. RTE.	SECTION	COUNTY	TOTAL SHEETS	SHEET NO.
1587	FAU 1587 22 CR	COOK	66	12

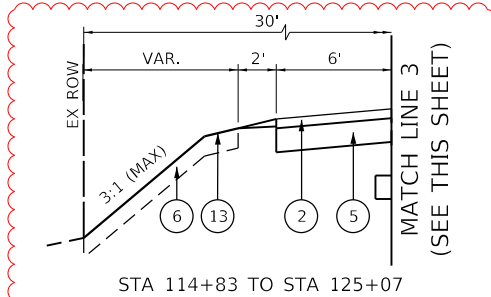
CONTRACT NO. 62T94
 ILLINOIS FED. AID PROJECT



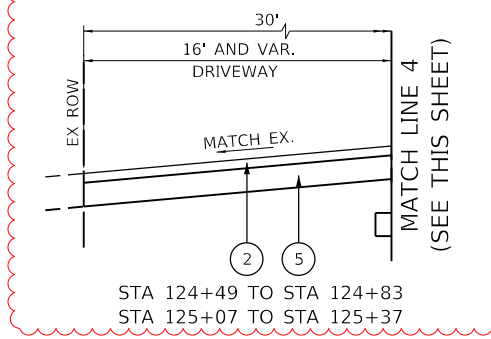
STA 114+22 TO STA 115+52



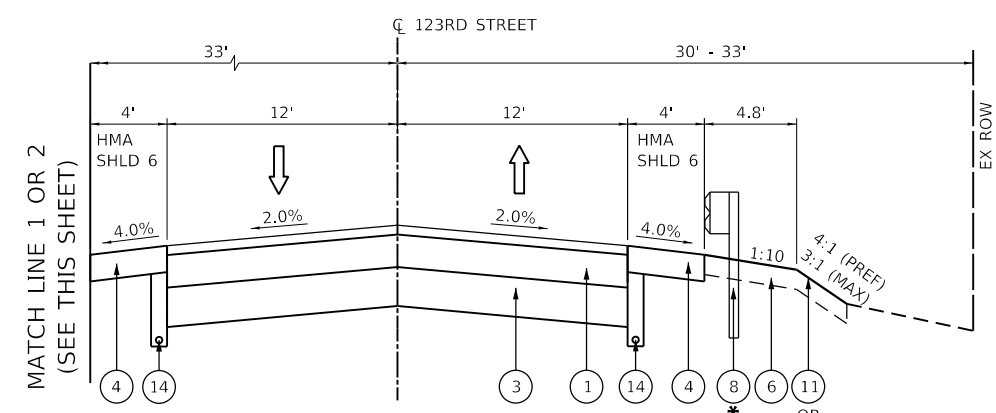
STA 113+85 TO STA 114+22
STA 115+52 TO STA 117+20



STA 114+83 TO STA 125+07

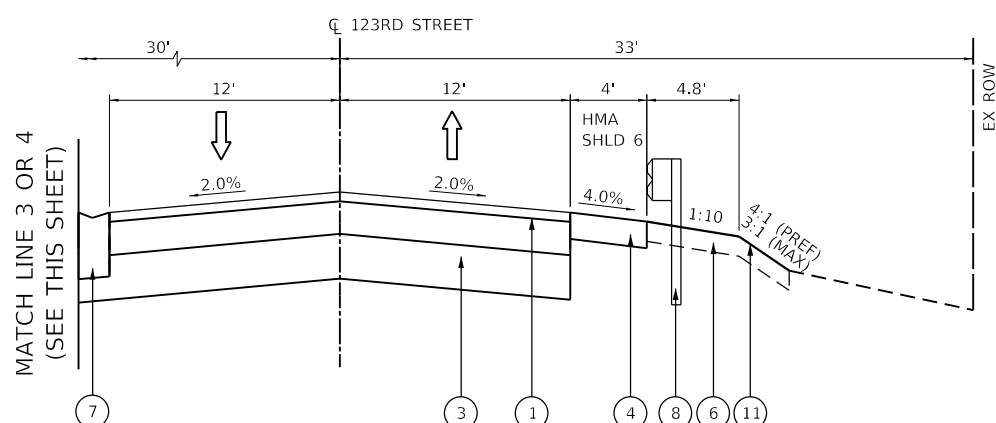


STA 124+49 TO STA 124+83
STA 125+07 TO STA 125+37



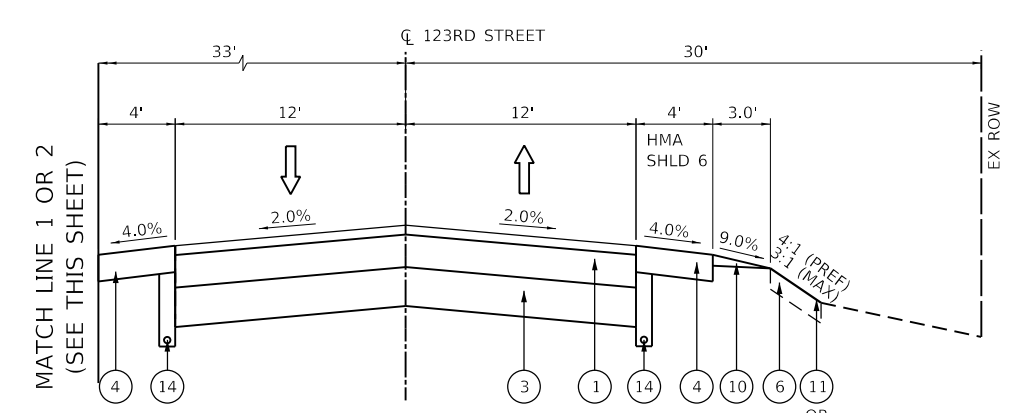
123RD STREET (MCCARTHY ROAD)
PROPOSED TYPICAL SECTION
(LOOKING EAST)

STA 113+85 TO STA 114+80



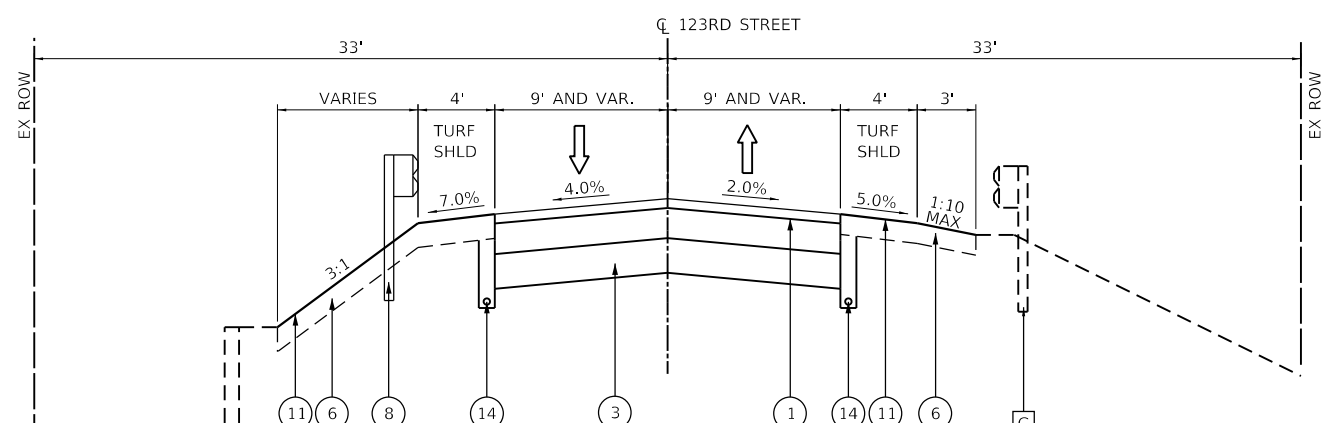
123RD STREET (MCCARTHY ROAD)
PROPOSED TYPICAL SECTION
(LOOKING EAST)

STA 124+65 TO STA 125+15



123RD STREET (MCCARTHY ROAD)
PROPOSED TYPICAL SECTION
(LOOKING EAST)

STA 114+80 TO STA 117+20



93RD AVENUE
PROPOSED TYPICAL SECTION
(LOOKING NORTH)

STA 500+12 TO STA 500+92

- NOTE:**
- ITEMS SPECIFIED WITH AN ASTERISK (*) ARE NOT PRESENT AT ALL LOCATIONS FOR DETAILS SEE ROADWAY PLANS
 - LONGITUDINAL JOINT SEALANT SHALL BE PLACED BEFORE AND AFTER THE TOP LIFT OF HMA BINDER COURSE FOR HMA PAVT (FD) 12".

LEGEND

- A EX. HOT-MIX ASPHALT SURFACE COURSE, ± 6"
- B EX. PCC BASE COURSE, ± 7"
- C EX. COMB. CONC. CURB AND GUTTER, B-6.12 OR B-6.18
- D EX. AGGREGATE SHOULDER, TY B, ± 2"
- E EX. HOT-MIX ASPHALT SURFACE COURSE, ± 2"
- F EX. AGGREGATE BASE COURSE, ± 8"
- G EX. GUARDRAIL
- H EX. CULVER WING OR HEAD WALL (TO REMAIN IN PLACE)

- I EX. DRIVEWAY PAVEMENT
- PAVEMENT REMOVAL
- DRIVEWAY PAVEMENT REMOVAL
- AGGREGATE SHOULDER REMOVAL
- COMB. CURB AND GUTTER REMOVAL

- 1 PR. HOT-MIX ASPHALT PAVEMENT (FULL-DEPTH), 12"
- 2 PR. HOT-MIX ASPHALT SURFACE COURSE, IL-9.5, MIX "D", N50, 2"
- 3 PR. AGGREGATE SUBGRADE IMPROVEMENT, 12"
- 4 PR. HOT-MIX ASPHALT SHOULDERS, 6"
- 5 PR. HOT-MIX ASPHALT BASE COURSE, 6"
- 6 PR. TOPSOIL FURNISH & PLACE, 4"
- 7 PR. COMB. CONC. CURB AND GUTTER, B-6.12 (DEPRESSED)
- 8 PR. GUARDRAIL (FOR DETAILS SEE ROADWAY PLANS)

- 9 PR. RETAINING WALL (FOR DETAILS SEE STRUCTURAL PLANS)
- 10 PR. AGGREGATE WEDGE SHOULDER, TYPE B
- 11 PR. SEEDING CLASS 2A
- 12 PR. SEEDING CLASS 4
- 13 PR. SODDING, SALT TOLERANT
- 14 PR. PIPE UNDERDRAIN, TYPE 2, 4"

MODEL: Default FILE: \\atlascad\pww\benliff\com\atlas-pww\proj\11001.CV\008\002\10.CAD\3_Sheets\02_Typical\162T94_sht_ky02_dtd.dwg

AEG ATLAS ENGINEERING GROUP, LTD.	USER NAME = astrashimirov	DESIGNED - NJ	REVISED - ADDENDUM 8/15/2024
	PLOT SCALE = 10.0000' / in.	DRAWN - NJ	REVISED -
	PLOT DATE = 8/15/2024	CHECKED - BA	REVISED -
		DATE -	REVISED -

STATE OF ILLINOIS
DEPARTMENT OF TRANSPORTATION

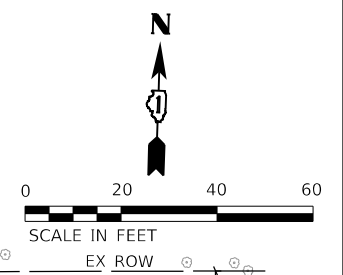
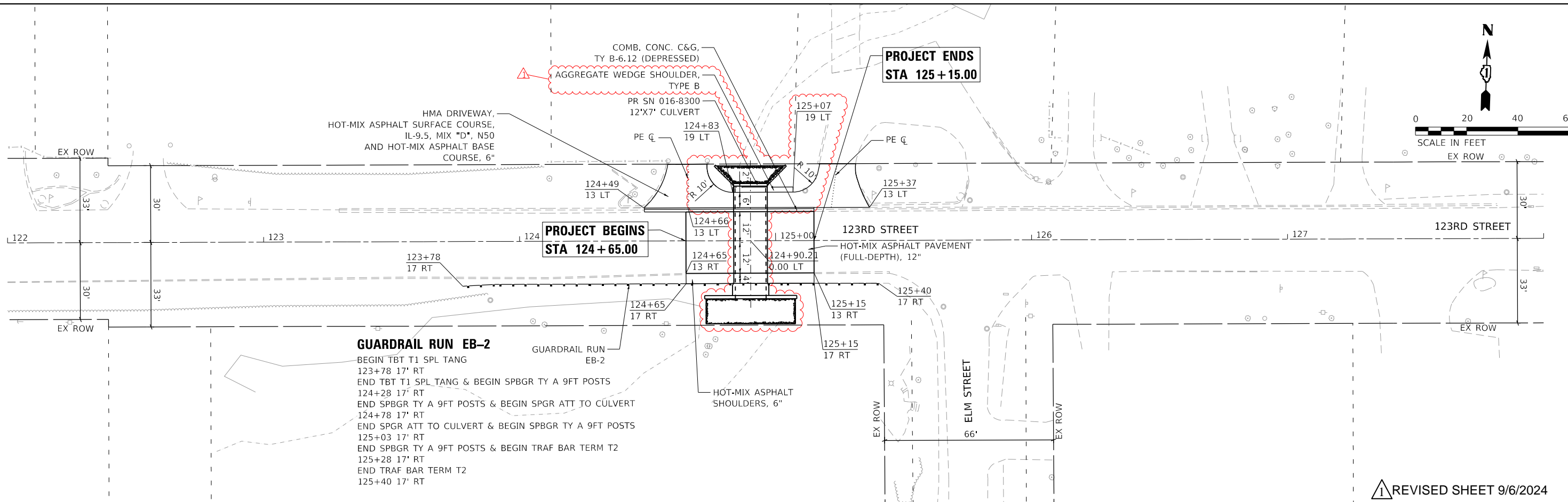
PROPOSED TYPICAL SECTIONS			
123RD STREET & 93RD AVENUE			
SCALE: N.T.S	SHEET 2	OF 2 SHEETS	STA. TO STA.

REVISION SHEET 9/6/2024			
F.A.U. RTE.	SECTION	COUNTY	TOTAL SHEETS
1587	FAU 1587 22 CR	COOK	66
			SHEET NO. 15
CONTRACT NO. 62T94			
		ILLINOIS	FED. AID PROJECT

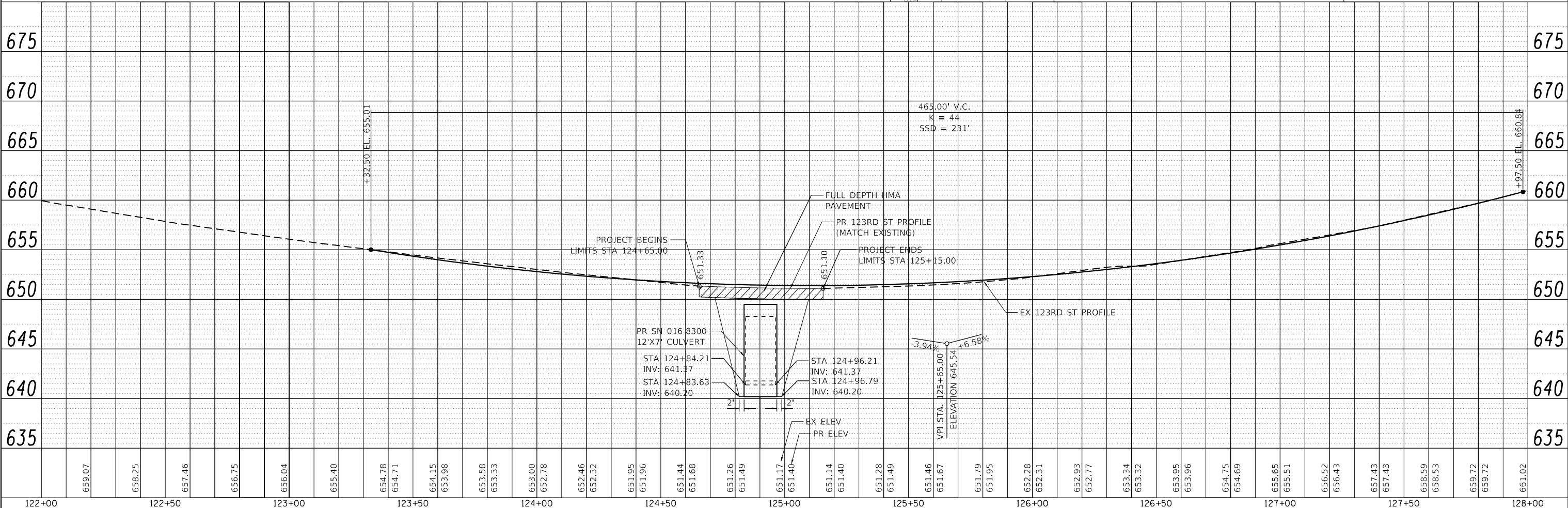
PLAN	SURVEYED	DATE
	PLOTTED	
	ALIGNED	
	CHECKED	
	BY	
	NO.	

PROFILE	SURVEYED	DATE
	PLOTTED	
	GRADES	
	CHECKED	
	BY	
	NO.	

MODEL: Default
 FILE NAME: p:\atlasespw\benlley.com\atlasespw\3\Documents\Projects\10111001 CV 01800210 CAD3 Sheets\04_Roadway\012794-ehg\plan\profile-01_Adr-01.dgn



GUARDRAIL RUN EB-2
 BEGIN TBT T1 SPL TANG
 123+78 17' RT
 END TBT T1 SPL TANG & BEGIN SPBGR TY A 9FT POSTS
 124+28 17' RT
 END SPBGR TY A 9FT POSTS & BEGIN SPGR ATT TO CULVERT
 124+78 17' RT
 END SPGR ATT TO CULVERT & BEGIN SPBGR TY A 9FT POSTS
 125+03 17' RT
 END SPBGR TY A 9FT POSTS & BEGIN TRAF BAR TERM T2
 125+28 17' RT
 END TRAF BAR TERM T2
 125+40 17' RT



122+00	122+50	123+00	123+50	124+00	124+50	125+00	125+50	126+00	126+50	127+00	127+50	128+00																																								
659.07	658.25	657.46	656.75	656.04	655.40	654.78	654.71	654.15	653.98	653.58	653.33	653.00	652.78	652.46	652.32	651.95	651.96	651.44	651.68	651.26	651.49	651.17	651.40	651.14	651.40	651.28	651.49	651.46	651.67	651.79	651.95	652.28	652.31	652.93	652.77	653.34	653.32	653.95	653.96	654.75	654.69	655.65	655.51	656.52	656.43	657.43	657.43	658.59	658.53	659.72	659.72	661.02

AEG ATLAS ENGINEERING GROUP, LTD.

USER NAME = astrashimirov	DESIGNED - AGS	REVISED - ADDENDUM Δ 8/15/2024
DRAWN - CVP	REVISED -	
CHECKED - BA	REVISED -	
DATE - 8/29/2024	REVISED -	

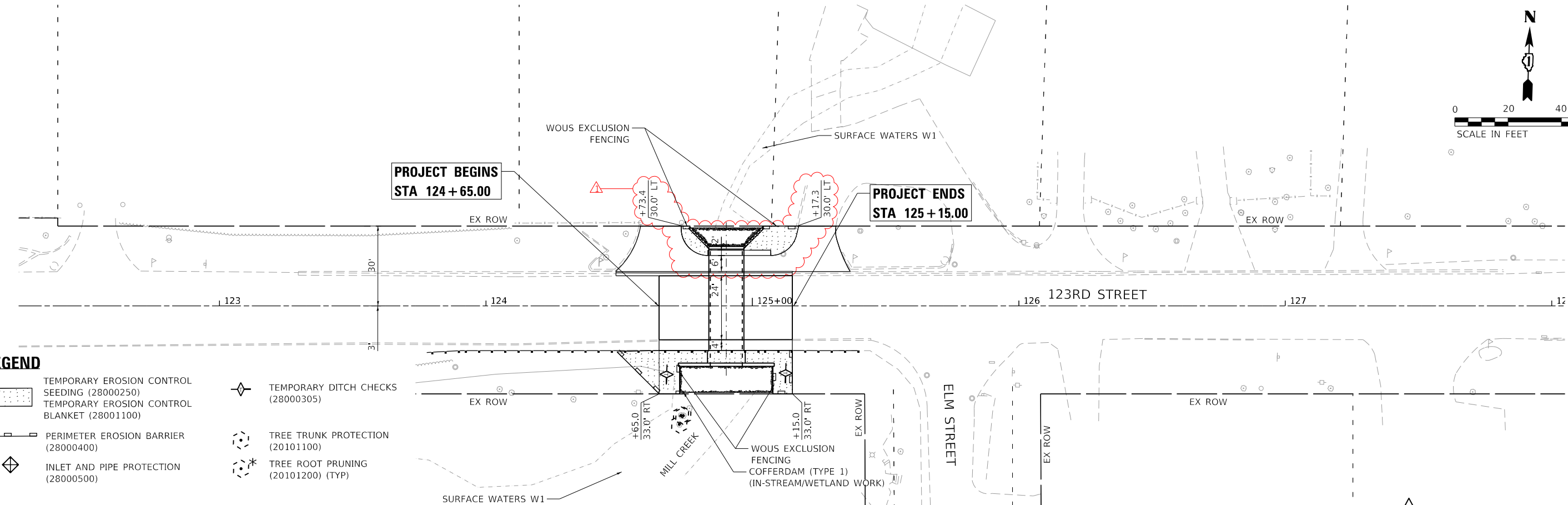
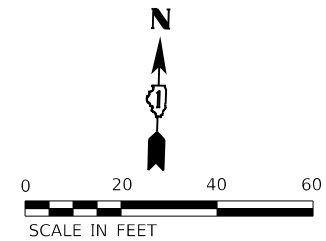
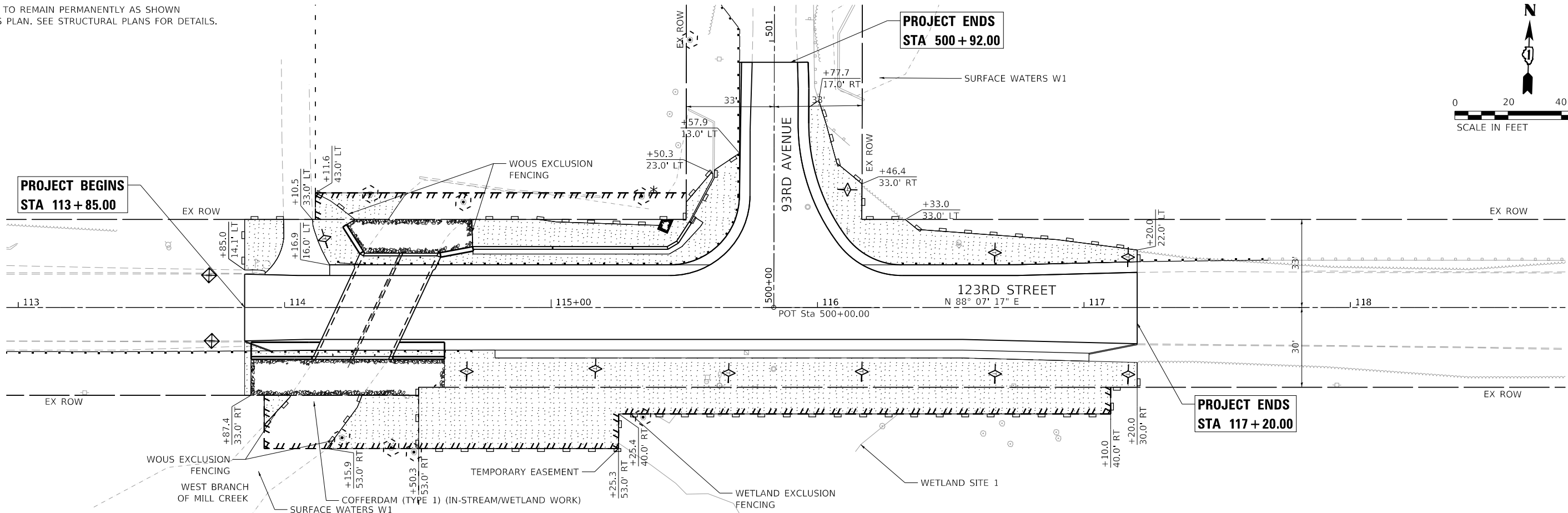
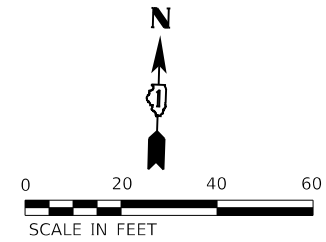
**STATE OF ILLINOIS
 DEPARTMENT OF TRANSPORTATION**

ROADWAY PLAN AND PROFILE			
123RD STREET			
SCALE: 1" = 20'	SHEET 3	OF 3 SHEETS	STA. TO STA.

F.A.U. RTE. 1587	SECTION FAU 1587 22 CR	COUNTY COOK	TOTAL SHEETS 66	SHEET NO. 24
CONTRACT NO. 62T94			ILLINOIS FED. AID PROJECT	

Δ REVISED SHEET 9/6/2024

NOTE:
RIP-RAP TO REMAIN PERMANENTLY AS SHOWN
ON THIS PLAN. SEE STRUCTURAL PLANS FOR DETAILS.



LEGEND

- TEMPORARY EROSION CONTROL SEEDING (28000250)
- TEMPORARY EROSION CONTROL BLANKET (28001100)
- PERIMETER EROSION BARRIER (28000400)
- INLET AND PIPE PROTECTION (28000500)
- TEMPORARY DITCH CHECKS (28000305)
- TREE TRUNK PROTECTION (20101100)
- TREE ROOT PRUNING (20101200) (TYP)

REVISED SHEET 9/6/2024

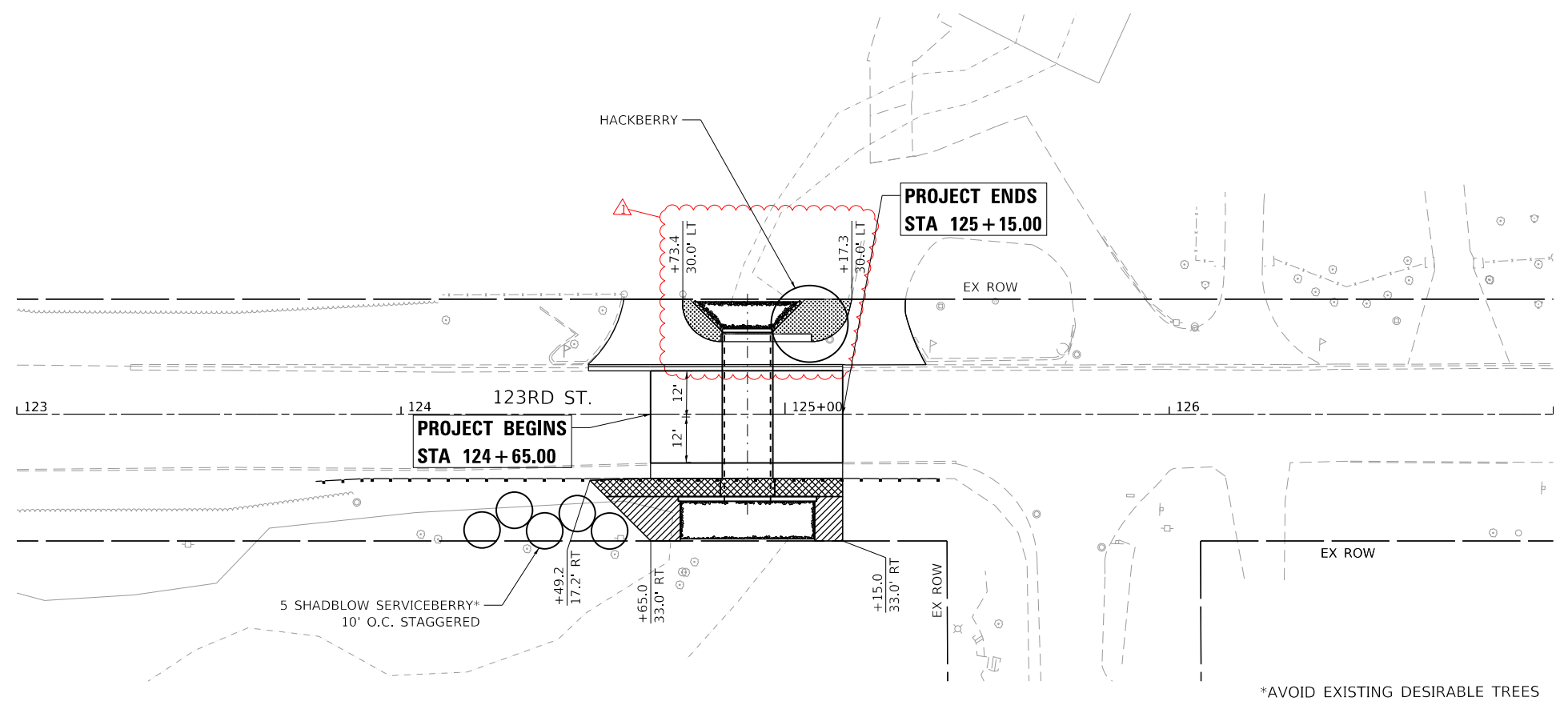
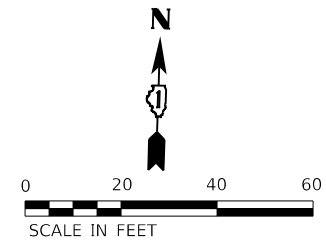
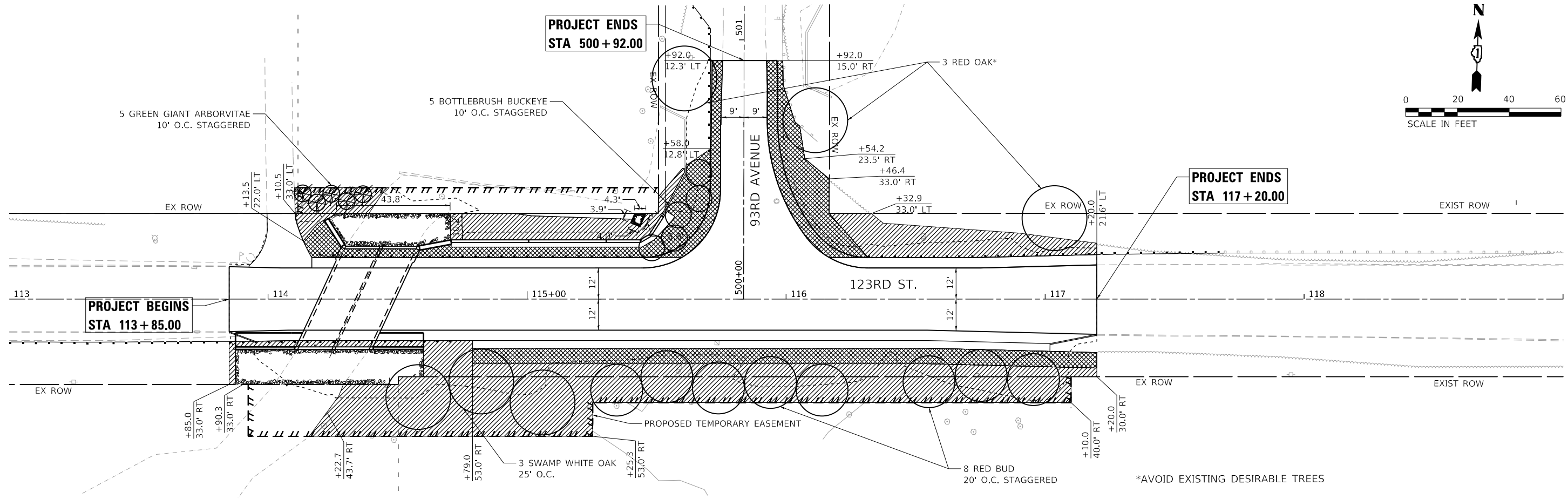
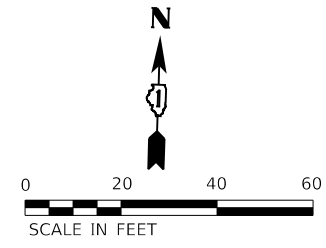
MODEL: Default
FILE: \\atlascorp-pw-bentley.com\atlascorp-pw\11001\1001\CAD\3_Sheets\05_ErosionControl\162794_01_ErosionControl_4d4-c011.dgn

	USER NAME = astrashimirov	DESIGNED - CVP	REVISED - ADDENDUM 8/15/2024
	PLOT SCALE = 40,0000' / in.	DRAWN - CVP	REVISED -
	PLOT DATE = 8/15/2024	CHECKED - BA	REVISED -
		DATE -	REVISED -

**STATE OF ILLINOIS
DEPARTMENT OF TRANSPORTATION**

EROSION CONTROL PLAN			
123RD STREET AND 93RD AVENUE			
SCALE: 1"=20'	SHEET 2	OF 2 SHEETS	STA. TO STA.

F.A.U. RTE.	SECTION	COUNTY	TOTAL SHEETS	SHEET NO.
1587	FAU 1587 22 CR	COOK	66	26
CONTRACT NO. 62T94				
ILLINOIS FED. AID PROJECT				



LEGEND

- SEEDING, CLASS 2A (25000210)
EROSION CONTROL BLANKET (25100630)
- SEEDING, CLASS 4A (25000312)
EROSION CONTROL BLANKET (25100630)
- SODDING, SALT TOLERANT (25200110)
- STONE RIPRAP, CLASS A4 (28100107)
- LIMIT OF CONSTRUCTION

REVISED SHEET 9/6/2024

MODEL: Default
 FILE: \\atlascorp\atlascorp\benliff\com\atlascorp\proj\11001\1001_CV_008\002\10_CAD\3_Sheets\09_Landscaping\01\12794_dht_Landscaping_A4.dwg

AEG ATLAS ENGINEERING GROUP, LTD.	USER NAME = astrashimirov	DESIGNED - NKA	REVISED - ADDENDUM 8/15/2024
	PLOT SCALE = 40,0000' / in.	DRAWN - NKA	REVISED -
	PLOT DATE = 8/29/2024	CHECKED - BA	REVISED -
		DATE -	REVISED -

**STATE OF ILLINOIS
DEPARTMENT OF TRANSPORTATION**

LANDSCAPING PLAN			
123RD STREET AND 93RD AVENUE			
SCALE: 1" = 20'	SHEET 1	OF 1 SHEETS	STA. TO STA.

F.A.U. RTE.	SECTION	COUNTY	TOTAL SHEETS	SHEET NO.
1587	FAU 1587 22 CR	COOK	66	27
CONTRACT NO. 62T94				
ILLINOIS FED. AID PROJECT				

Bench Mark: Set X on east curb return at 123rd and 93rd Street, Northing 1821627.928, Easting 1117075.114, Elev. 662.609.

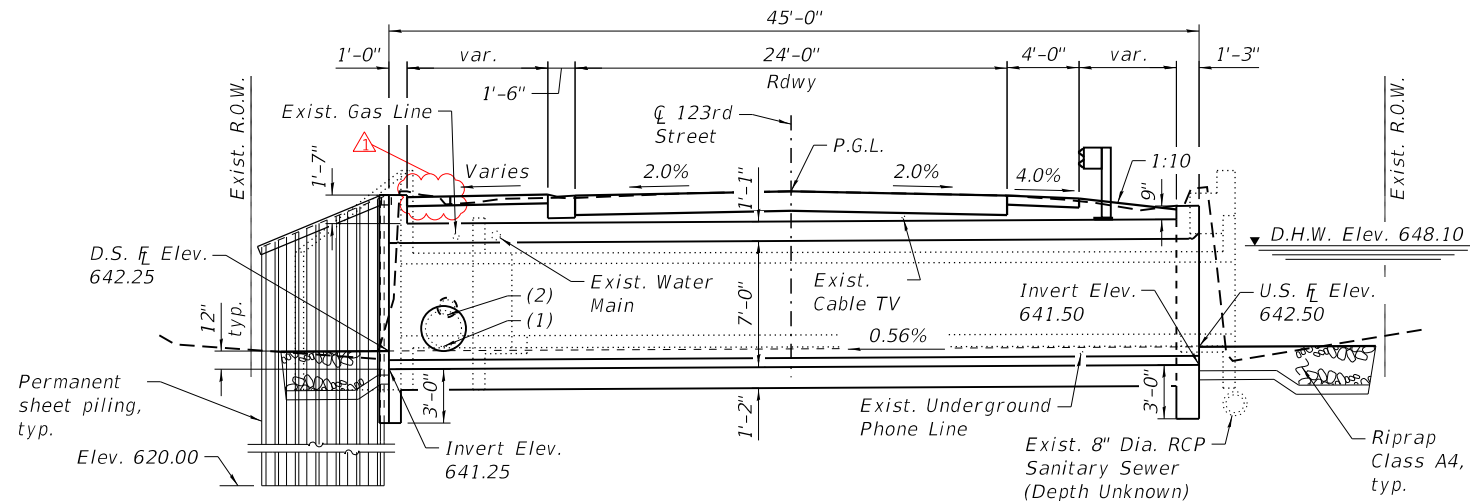
Existing Structure: S.N. 016-1359 Original construction year of R.C. double box (4'x4' and 5'x4') is unknown; in 1954 extended 6 ft north and headwalls extended upward by approx. 2.5 ft. Total barrel length is approx. 46'-2".

Traffic to be maintained by a detour.

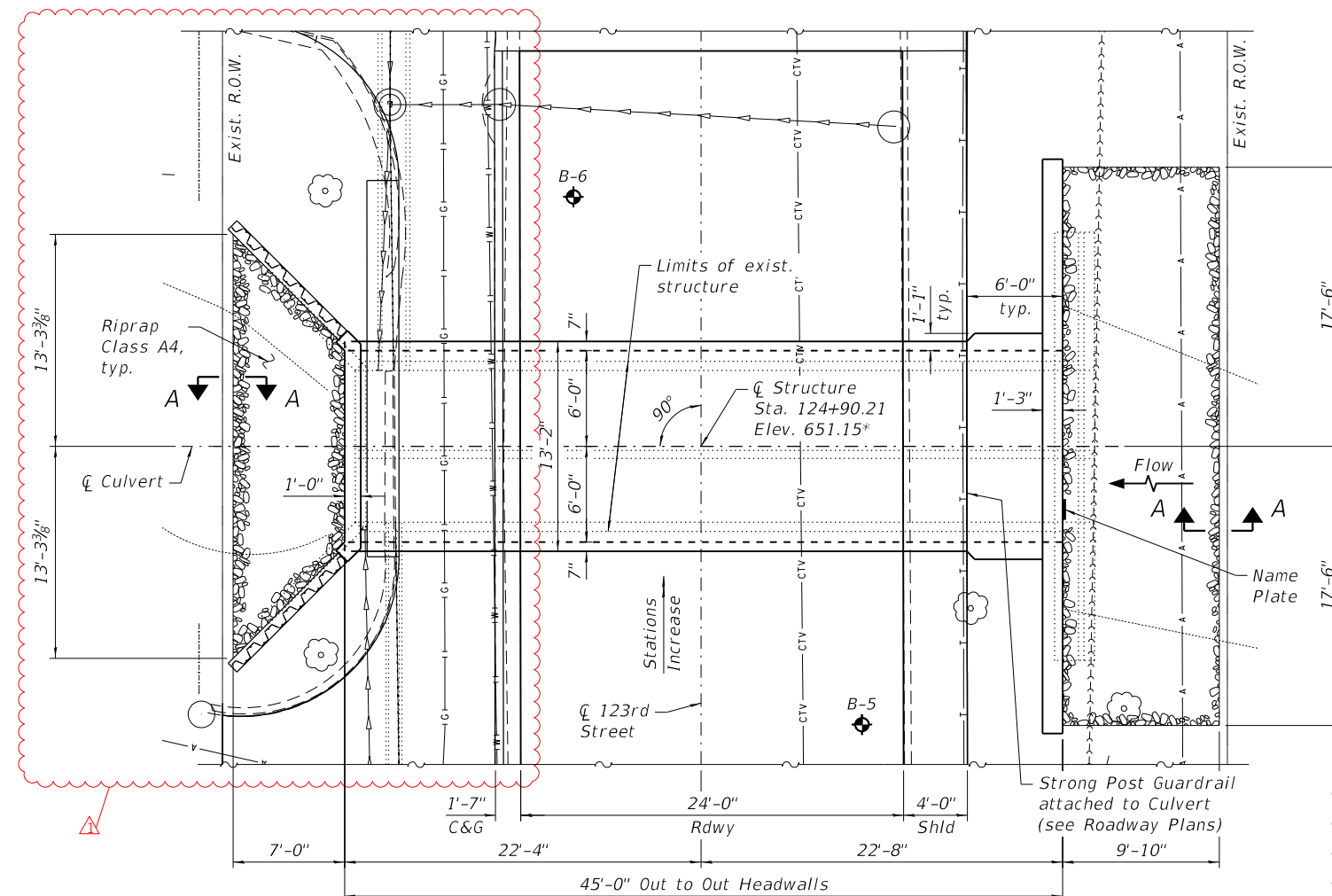
No salvage.

Precast alternate is not allowed.

- (1) Exist. 24" Dia. RCP Storm Sewer
Inv. Elev. 642.51 (E. Wall)
- (2) Exist. 10" Dia. RCP Storm Sewer
Inv. Elev. 644.26 (W. Wall)



LONGITUDINAL SECTION



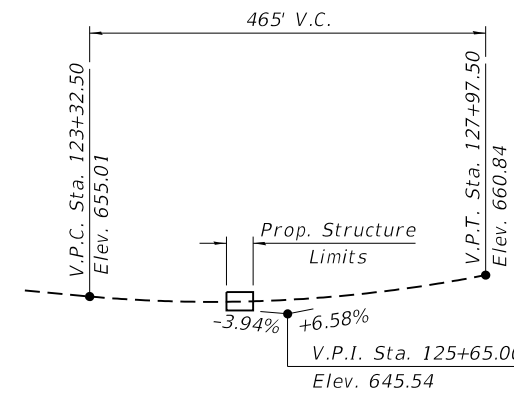
PLAN

* Approximated from survey

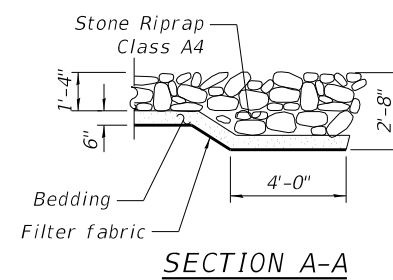
WATERWAY INFORMATION

Drainage Area= 6.5 square miles		Existing Overtopping Elev. = 651.11 at Sta 125+15		Proposed Overtopping Elev. = 651.11 at Sta 125+15					
Flood Event	Freq. Yr.	Discharge ft ³ /s	Waterway Opening-ft ²		Head -ft		Headwater Elevation-ft		
			Existing	Proposed	Existing	Proposed	Existing	Proposed	
Design	10	166	36.0	49.2	646.60	0.42	0.16	647.02	646.76
Base	50	380	36.0	67.2	648.10	2.59	0.51	650.69	648.61
Overtop Existing	100	468	36.0	71.5	648.46	3.01	0.72	651.47	649.18
Overtop Proposed	74	413	36.0	69.0	-	-	-	651.11	-
Max. Calc.	247	782	36.0	72.0	-	-	-	651.11	-
	500	1321	36.0	72.0	650.96	1.99	1.62	652.95	652.58

10 year velocity through Existing Structure = 4.6 ft/s
 10 year velocity through Proposed Structure = 3.4 ft/s
 2 year flow rate = 55 ft³/s



EXIST. PROFILE GRADE
(123rd Street)
(Approximated from survey)



SECTION A-A

DESIGN SPECIFICATIONS

2020 AASHTO LRFD Bridge Design Specifications, 9th Edition.

LOADING HL-93

Allow 50#/sq. ft. for future wearing surface.

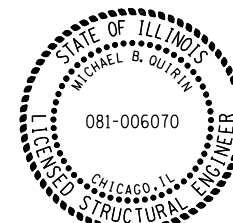
DESIGN STRESSES

FIELD UNITS:

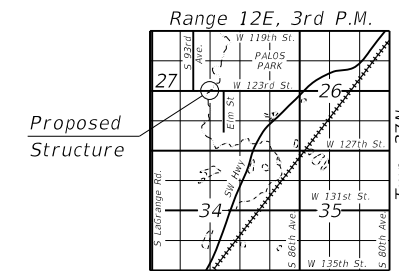
f'c = 3,500 psi
 fy = 60,000 psi (Reinforcement)
 fy = 50,000 psi (Permanent Sheet Piling)

LEGEND

- ◆ BSB (Bridge Soil Boring)
- A — Existing Aerial Lines
- G — Existing Underground Gas Line
- W — Existing Underground Water Line
- CTV — Existing Underground Cable TV
- S — Existing Sanitary Sewer
- SS — Existing Storm Sewer
- U — Existing Underground Phone Line
- X — Existing Fence



Signed: *Michael B. Ouirin*
 Date: 02/20/2024
 Expires: 11/30/2024
 Sheets: 40-45



LOCATION SKETCH

GENERAL PLAN AND ELEVATION
 123RD STREET/McCARTHY ROAD
 OVER MILL CREEK
 F.A.U. RTE. 1587
 SEC. FAU 1587 22 CR
 COOK COUNTY
 STATION 124+90.21
 STRUCTURE NO. 016-8300

REVISED SHEET 9/6/2024

<p>HDR 9450 W. BRYN MAWR AVE. ROSEMONT, IL 60018</p>	USER NAME =	DESIGNED — RGB	REVISED — ADDENDUM 8/15/2024
	PLOT SCALE =	CHECKED — MBQ	REVISED —
	PLOT DATE = 8/19/2024	DRAWN — JM	REVISED —
		CHECKED — RGB	REVISED —

STATE OF ILLINOIS
 DEPARTMENT OF TRANSPORTATION

GENERAL PLAN & ELEVATION
 STRUCTURE NO. 016-8300

SHEET 1 OF 6 SHEETS

F.A.U. RTE.	SECTION	COUNTY	TOTAL SHEETS	SHEET NO.
1587	FAU 1587 22 CR	COOK	66	47
CONTRACT NO. 62T94				
ILLINOIS FED. AID PROJECT PROT-JSPO(118)				

MODEL: Default
 FILE NAME: pw:\atlas-pw-bentley.com\atlas-pw-01\Documents\Projects\10011001 CV 008\002\10 CAD\3_Sheets\12_Structural\Mill Creek Culvert\0168300-D162194-001-GPE-01.dgn
 8/19/2024 3:18:18 PM