

STATE OF ILLINOIS  
DEPARTMENT OF TRANSPORTATION

S.B.I. RTE. 127	SECTION 111DM	COUNTY ILLINOIS	TOTAL SHEETS 8	SHEET NO. 1
CONTRACT NO. 76T31				

FOR INDEX OF SHEETS, SEE SHEET NO. 2

FUNCTIONAL CLASSIFICATION:  
SN 003-0041 - LOCAL ROAD

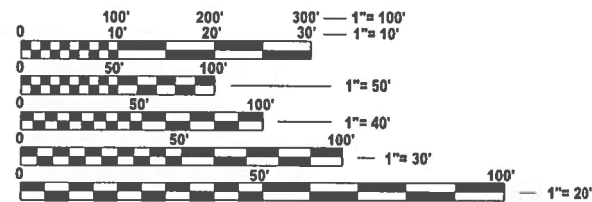
PROPOSED  
HIGHWAY PLANS

SBI 127 (OLD IL 127)  
SECTION 111 DM  
BRIDGE REMOVAL/DEMOLITION  
BOND COUNTY

C-98-109-24

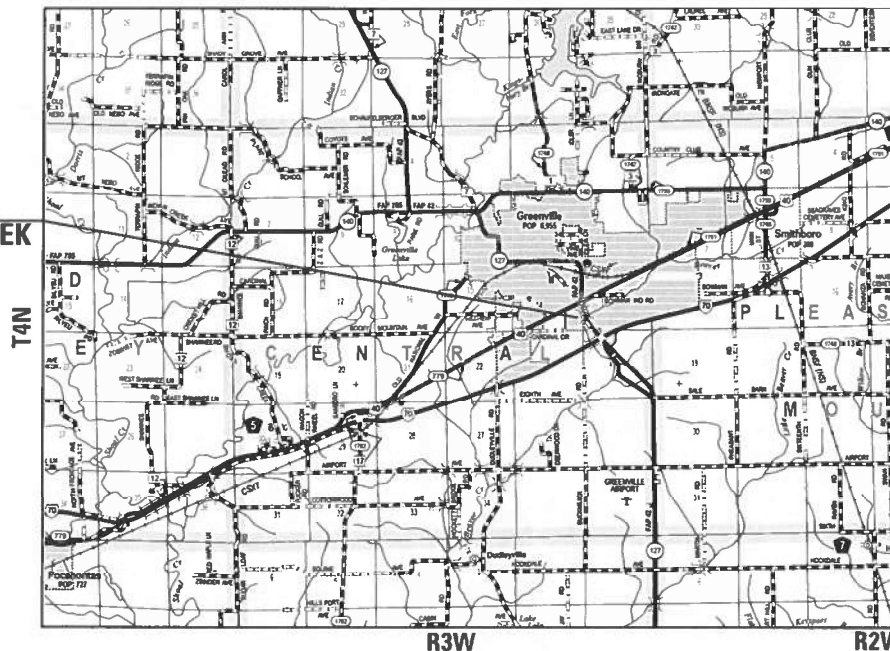


PROJECT LOCATION  
OLD IL 127 OVER BEAVER CREEK  
IN GREENVILLE  
SN 003-0041  
LAT: 38.874597  
LONG: -89.389947



FULL SIZE PLANS HAVE BEEN PREPARED USING STANDARD ENGINEERING SCALES. REDUCED SIZED PLANS WILL NOT CONFORM TO STANDARD SCALES. IN MAKING MEASUREMENTS ON REDUCED PLANS, THE ABOVE SCALES MAY BE USED.

J.U.L.I.E.  
JOINT UTILITY LOCATION INFORMATION FOR EXCAVATION  
1-800-892-0123  
OR 811



GREENVILLE TOWNSHIP  
GROSS LENGTH = 52.8 FT. = 0.01 MILE  
NET LENGTH = 52.8 FT. = 0.01 MILE



PROJECT ENGINEER: BILLIE OWEN  
PROJECT MANAGER: MEIWU AN

CONTRACT NO. 76T31

STATE OF ILLINOIS  
DEPARTMENT OF TRANSPORTATION

SUBMITTED June 17 2024  
*Kilgus*  
REGIONAL ENGINEER

August 16, 2024  
*Scott*  
ENGINEER OF DESIGN AND ENVIRONMENT

August 16, 2024  
*James*  
DIRECTOR OF HIGHWAYS PROJECT IMPLEMENTATION 13

PRINTED BY THE AUTHORITY  
OF THE STATE OF ILLINOIS



CODE NO.	ITEM	UNIT	TOTAL QUANTITY	CONSTR. CODE
				URBAN
				BRIDGE
				0044
				S.N. 003-0041
20100500	TREE REMOVAL, ACRES	ACRE	2.4	2.4
25000200	SEEDING, CLASS 2	ACRE	2.5	2.5
25000400	NITROGEN FERTILIZER NUTRIENT	POUND	226	226
25000500	PHOSPHORUS FERTILIZER NUTRIENT	POUND	226	226
25000600	POTASSIUM FERTILIZER NUTRIENT	POUND	226	226
25100630	EROSION CONTROL BLANKET	SQ YD	12100	12100
44000100	PAVEMENT REMOVAL	SQ YD	142.8	142.8
50100200	REMOVAL OF EXISTING STRUCTURES	L SUM	1	1
67100100	MOBILIZATION	L SUM	1	1
X7200053	REMOVE, STORE AND RE-ERECT SIGN PANEL (SPECIAL)	EACH	11	11

MODEL: Summary of Quantities (Sheet)  
 FILE NAME: P:\Bids\2024\1111DM\DOT\Documents\DOT Office\District 8\ORD Project\B76731\CADD\as\CAD\Sheet\B76731-1111-500

USER NAME = Diana.Murray	DESIGNED -	REVISED -
PLOT SCALE = \$SCALE\$	DRAWN -	REVISED -
PLOT DATE = 6/27/2024	CHECKED -	REVISED -
	DATE -	REVISED -

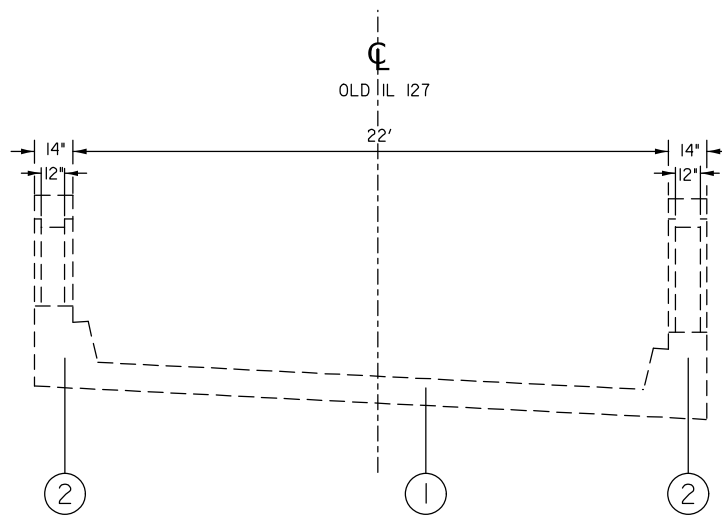
**STATE OF ILLINOIS  
DEPARTMENT OF TRANSPORTATION**

**SUMMARY OF QUANTITIES**

SCALE: SHEET 1 OF 1 SHEETS STA. TO STA.

S.B.I. RTE.	SECTION	COUNTY	TOTAL SHEETS	SHEET NO.
127	111DM	BOND	8	3
CONTRACT NO. 76T31				
ILLINOIS FED. AID PROJECT				

MODEL: TYPICALS [Sheet]  
 FILE NAME: P:\GIS\Projects\DOT\Office\District 8\ORD Project\B76731\CADD\as-CAD\Sheet\B76731-4-1.dwg



**EXISTING TYPICAL SECTION**

SN 003-0041

**LEGEND**

- ① EXISTING PCC PAVEMENT
- ② EXISTING RAILING

USER NAME = Diana.Murray	DESIGNED -	REVISED -
	DRAWN -	REVISED -
PLOT SCALE = 0.16666633' / in.	CHECKED -	REVISED -
PLOT DATE = 6/11/2024	DATE -	REVISED -

**STATE OF ILLINOIS  
 DEPARTMENT OF TRANSPORTATION**

**TYPICAL SECTIONS**

SCALE: NOT TO SCALE SHEET 1 OF 1 SHEETS STA. TO STA.

S.B. I. RTE.	SECTION	COUNTY	TOTAL SHEETS	SHEET NO.
127	111DM	BOND	8	4
CONTRACT NO. 76T31				
ILLINOIS FED. AID PROJECT				



**REMOVAL DETAIL**

TREE REMOVAL SCHEDULE	
LOCATION	TREE REMOVAL
	ACRE
SUBTOTAL:	2.4
TOTAL:	2.4

PAVEMENT REMOVAL SCHEDULE	
LOCATION	PAVEMENT REMOVAL
	SQ YD
SUBTOTAL:	142.8
TOTAL:	142.8

SIGN PANEL SCHEDULE	
TYPE	REMOVE, STORE AND RE-ERECT SIGN PANEL (SPECIAL)
	EACH
RED DIAMOND	6
ROAD ENDS	3
ADVANCE WARNING	2
SUBTOTAL:	11
TOTAL:	11

MODEL: Detail [Sheet]  
FILE NAME: c:\p\work\p\w\idmurray\d\030395\0876731-shi-location map-exist plan.dgn

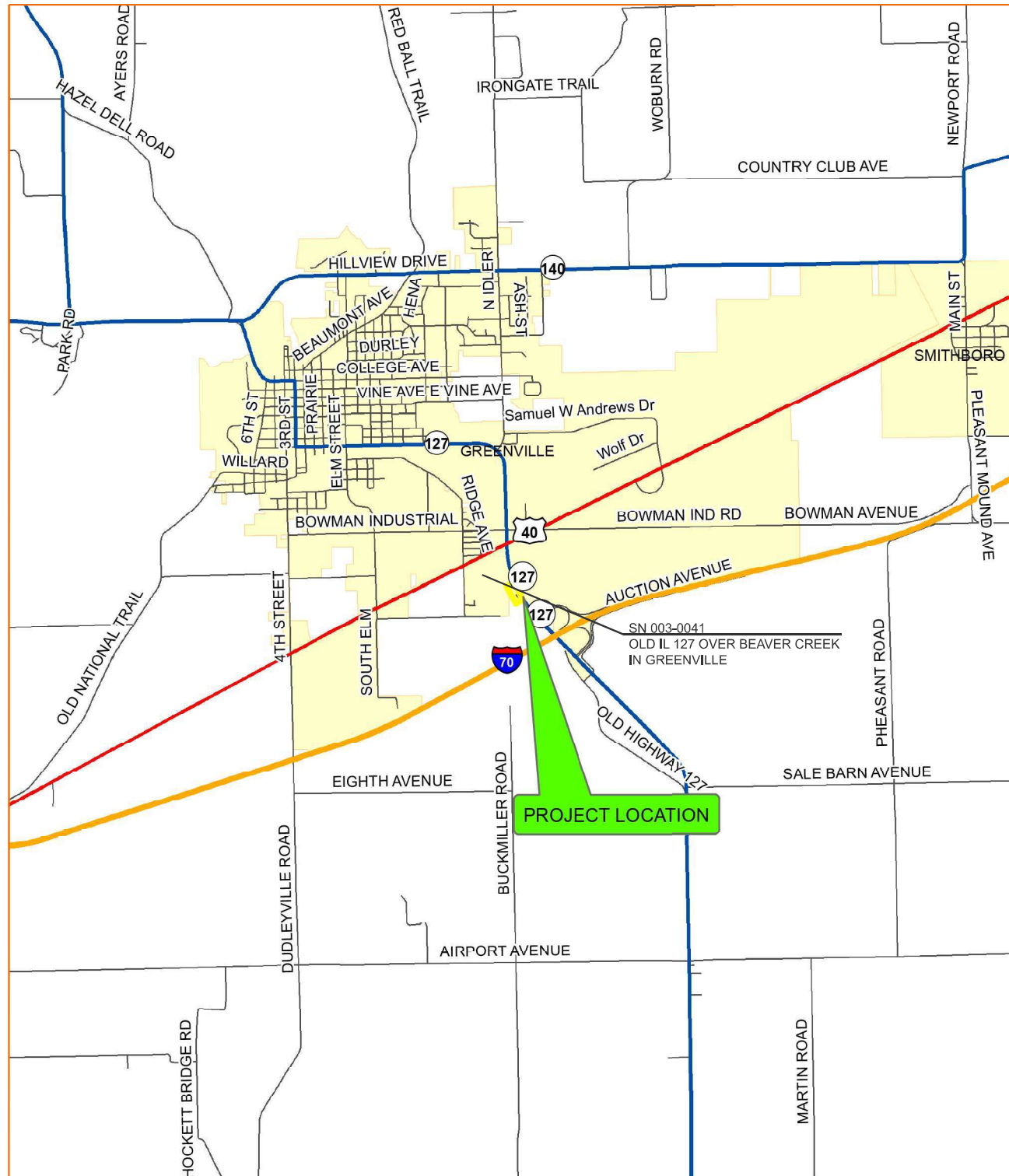
USER NAME = Diaria Murray	DESIGNED -	REVISED -
	DRAWN -	REVISED -
	CHECKED -	REVISED -
PLOT DATE = 6/11/2024	DATE -	REVISED -

**STATE OF ILLINOIS  
DEPARTMENT OF TRANSPORTATION**

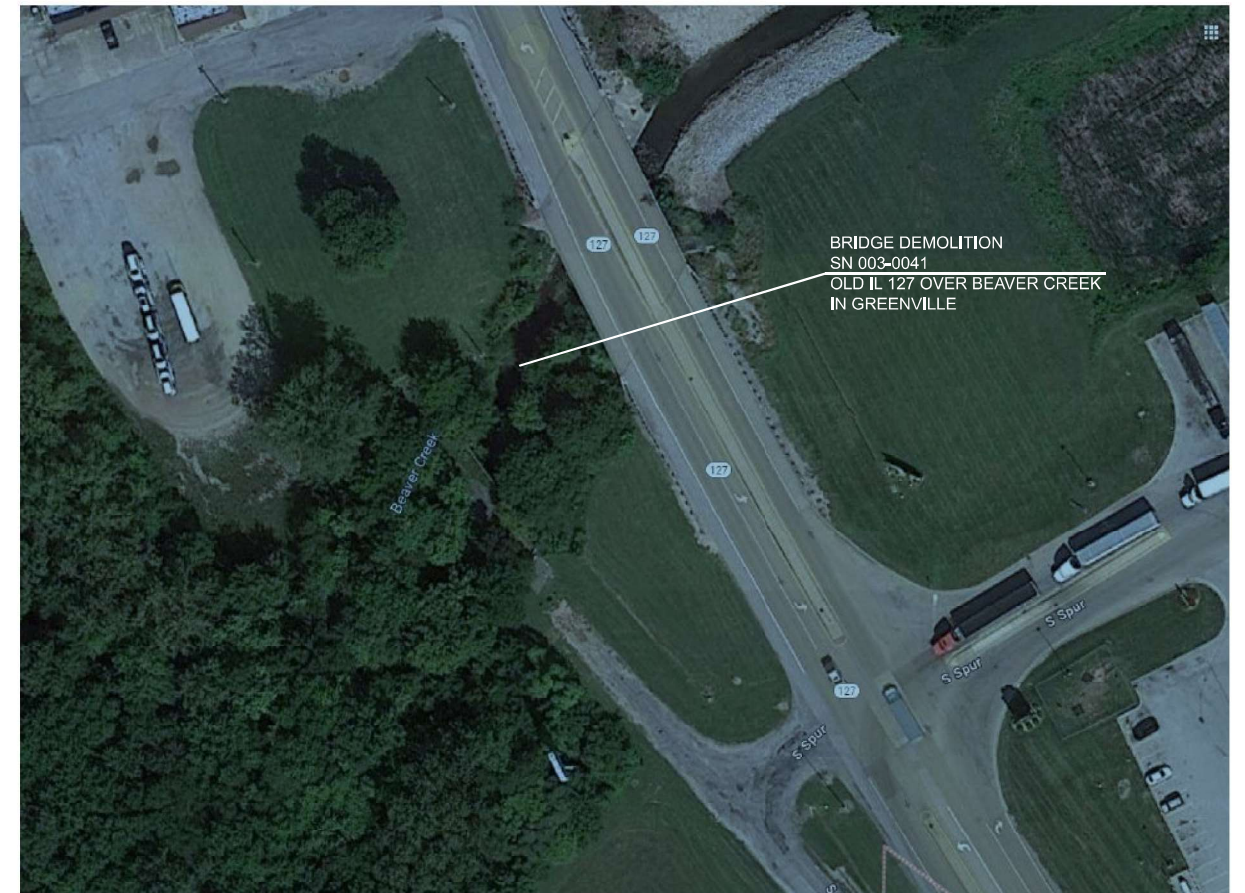
**SCHEDULE OF QUANTITIES WITH DETAIL**

SCALE: SHEET 1 OF 1 SHEETS STA. TO STA.

S.B.I. RTE.	SECTION	COUNTY	TOTAL SHEETS	SHEET NO.
127	111DM	BOND	8	5
CONTRACT NO. 76T31				
ILLINOIS FED. AID PROJECT				



LOCATION MAP



MODEL: Location Map Sheet (Sheet)  
 FILE NAME: P:\GIS\Projects\DOT\Office\District 8\ORD\Projects\0376731\CADD\GIS\CADD\Sheet\0376731-4-loc-location map-sheet.dgn

USER NAME = DianaMurray	DESIGNED -	REVISED -
DRAWN -	REVISED -	
PLOT SCALE = \$SCALE\$	CHECKED -	REVISED -
PLOT DATE = 6/11/2024	DATE -	REVISED -

**STATE OF ILLINOIS  
DEPARTMENT OF TRANSPORTATION**

LOCATION MAP

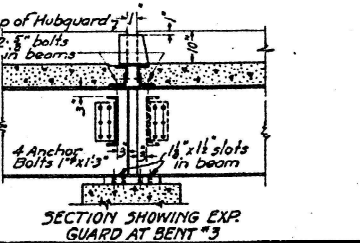
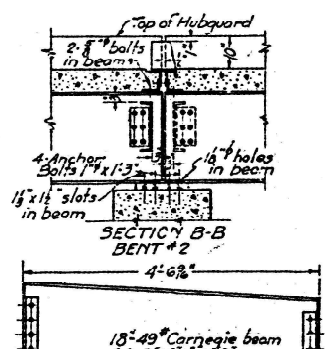
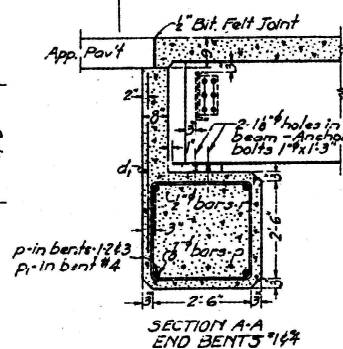
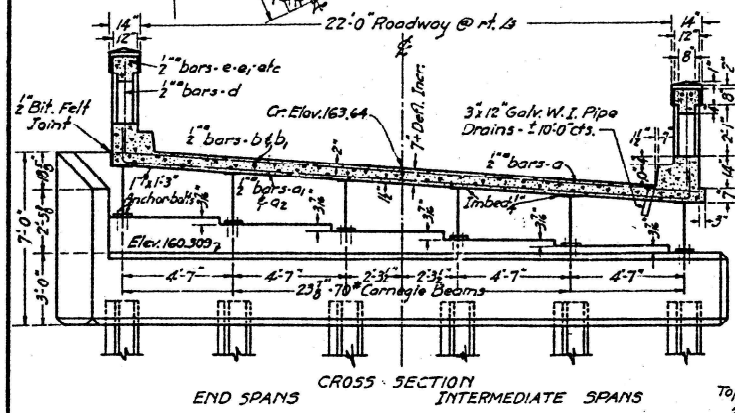
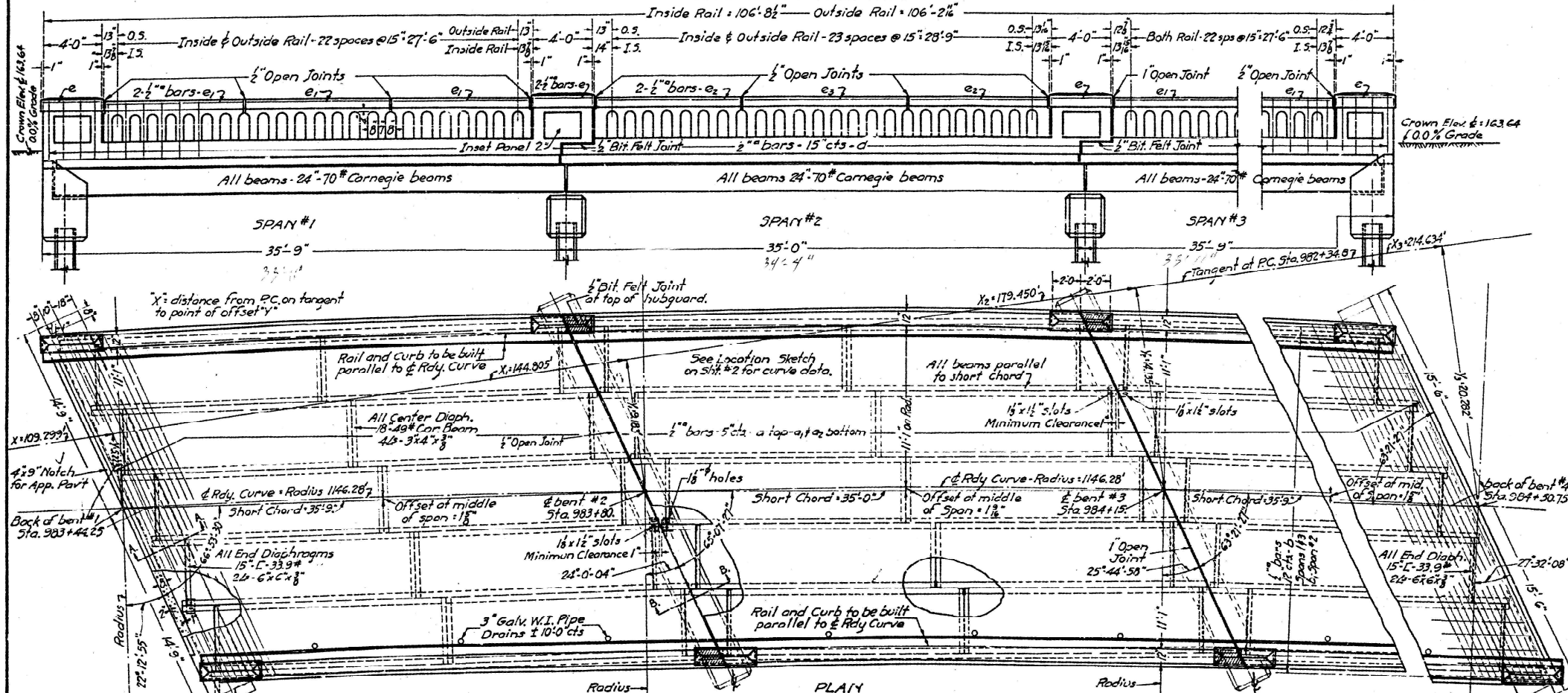
SCALE: 1"=50'      SHEET 1 OF 1 SHEETS      STA. \_\_\_+\_\_\_ TO STA. \_\_\_+\_\_\_

S.B.I. RTE.	SECTION	COUNTY	TOTAL SHEETS	SHEET NO.
127	112DM	BOND	8	6
CONTRACT NO. 76T31				
ILLINOIS   FED. AID PROJECT				

B.M. = N.W. Top hedge stump - 48' ft.  
Sta. 987+12. Elevation 158.90.  
No Existing Structure.

STATE OF ILLINOIS  
DEPARTMENT OF PUBLIC WORKS & BUILDINGS  
DIVISION OF HIGHWAYS

SECTION	SEC.	COUNTY	TOTAL SHEETS	SHEET NO.
127	110-B	Bond	43	41
SHEET NO. 1				2 SHEETS



Notes:  
Class X concrete shall be used throughout.  
Reinforcing steel to be wired secured in place before concrete is poured.  
Concrete floor shall be given a smooth finish according to the Specs for finishing the surface of floor slabs on concrete bridges.  
Anchor bolts to be placed before connecting diaphragms over bent.  
Rivets-1/2" holes to be used unless noted.  
Inspection by Illinois Division of Highways before painting.  
Paint (See Specs) One coat in shop - two coats in field.  
Each pile to have a minimum capacity of 30 tons.  
One test pile to be driven at each of Sta. 983+80 and 984+50.75

TOTAL BILL OF MATERIAL

Bar	No.	Size	Length
a	466	1/2"	14'-3"
a1	233	-	17'-3"
a2	233	-	17'-3"
b	100	-	18'-9"
b1	50	-	18'-3"
e	16	-	3'-9"
e1	84	-	9'-6"
e2	8	-	10'-9"
e3	4	-	8'-6"
d	178	-	3'-9"
d1	62	-	4'-6"
D	12	1"	29'-0"
P1	4	-	30'-6"
P	50	1/2"	11'-9"
P1	50	-	11'-0"

Class X concrete (Rail) Cyls. 16.1  
Class X concrete (Span) Cyls. 67.0  
Class X concrete (Cap) Cyls. 41.6  
Structural Steel - Lbs. 56,140  
Reinforcing Steel - Lbs. 11,020  
Name Plate one

COMPUTED	- P. Michener	EXAMINED	1-26-1933
CHECKED	- F.R.J.	DESIGNED	- F.R.J.
DRAWN	- P.M.	PASSED	- F.R.J.
CHECKED	- F.R.J.	APPROVED	- F.R.J.
SPECIAL	-	APPROVED	- F.R.J.
CHECKED	-	APPROVED	- F.R.J.

S.B.I. ROUTE 127 - SE. BOND COUNTY STA. 983+97.0

FOR INFORMATION ONLY

MODEL - Existing Structure Plan Sheet-1 (Sheet)  
FILE NAME - c:\pwworking\dmurray\dal\030393\030393.dwg

USER NAME	= Dilaria Murray
PLOT SCALE	= 0.16666633' / in.
PLOT DATE	= 6/11/2024

DESIGNED	-
DRAWN	-
CHECKED	-
DATE	-

REVISED	-
REVISED	-
REVISED	-
REVISED	-

STATE OF ILLINOIS  
DEPARTMENT OF TRANSPORTATION

EXISTING STRUCTURE PLANS

SCALE: SHEET 1 OF 2 SHEETS STA. TO STA.

S.B.I. RTE.	SECTION	COUNTY	TOTAL SHEETS	SHEET NO.
127	111DM	BOND	8	7
CONTRACT NO. 76T31				
ILLINOIS FED. AID PROJECT				





**INDEX OF SHEETS**

- 1. COVER SHEET
- 2. INDEX OF SHEETS, HIGHWAY STANDARDS, GENERAL NOTES & COMMITMENTS
- 3. SUMMARY OF QUANTITIES
- 4. TYPICAL SECTION
- 5. SCHEDULE OF QUANTITIES WITH DETAIL
- 6. LOCATON MAP
- 7-8. EXISTING STRUCTURE PLANS

**HIGHWAY STANDARDS**

- 000001-08 STANDARD SYMBOLS ABBREVIATIONS & PATTERNS
- 001006 DECIMAL OF INCH & FOOT
- 701006-05 OFF-RD OPERATIONS, 2L, 2W, 15' (4.5m) TO 24: (600mm) FROM PAVEMENT EDGE
- 701901-09 TRAFFIC CONTROL DEVICES
- 720006-04 SIGN PANEL ERECTION DETAILS

**GENERAL NOTES**

- 1. UTILITIES KNOWN TO HAVE FACILITIES WITHIN THE PROJECT AREA:  
 AMEREN ILLINOIS (GAS & ELECTRIC)  
 AT&T ILLINOIS (COMMUNICATIONS)  
 DEPARTMENT OF CENTRAL MANAGEMENT SERVICES (COMMUNICATIONS)  
 CITY OF GREENVILLE (WATER & SANITARY SEWER)
- 2. NO SURVEY WAS PERFORMED FOR THIS PROJECT AND THE PLANS WERE CREATED USING MICROFILM AND FIELD MEASUREMENTS.
- 3. ALL TURF AREAS DISTURBED BY THE CONTRACTOR SHALL BE SEEDED WITH THE APPROPRIATE EROSION CONTROL AS DIRECTED BY THE ENGINEER.
- 4. IF THE CONTRACTOR, FOR HIS CONSTRUCTION ACTIVITY, REMOVES TREES WITHIN THE RIGHT-OF-WAY LIMITS WHICH ARE NOT DESIGNATED ON THE PLANS FOR REMOVAL, I.E., IN ORDER TO GAIN ACCESS TO THE PROJECT SITE; IT WILL BE HIS RESPONSIBILITY TO REPLACE THE TREES AT A 1:1 RATIO. THE TREES WILL BE REPLACED WITH A 1 GALLON NATIVE ILLINOIS TREE SPECIEIS AND SHALL BE APPROVED BY THE ENGINEER. THE TREE REMOVAL AND TREE REPLACEMENT WILL BE AT THE CONTRACTOR'S EXPENSE, AND NO ADDITIONAL COMPENSATION WILL BE ALLOWED.
- 5. THE EXISTING STRUCTURAL STEEL COATING CONTAINS LEAD. THE CONTRACTOR SHALL TAKE APPROPRIATE PRECAUTIONS TO ADDRESS THE PRESENCE OF LEAD ON THIS PROJECT. STEEL STRUCTURES ERECTED PRIOR TO 1986 (OR AS DETERMINED FROM EXISTING PLANS) WITH LEAD PRIMER.
- 6. THE EXISTING ROAD CLOSED, RED DIAMOND, AND ADVANCED WARNING SIGNS SHALL BE PUT BACK IN PLACE AFTER THE BRIDGE REMOVAL/DEMOLITION IS COMPLETE.

**COMMITMENTS**

TREES THREE (3) INCHES IN DIAMETER AT BREAST HEIGHT SHALL NOT BE CLEARED FROM APRIL 1ST THROUGH SEPTEMBER 30TH OF ANY GIVEN YEAR.

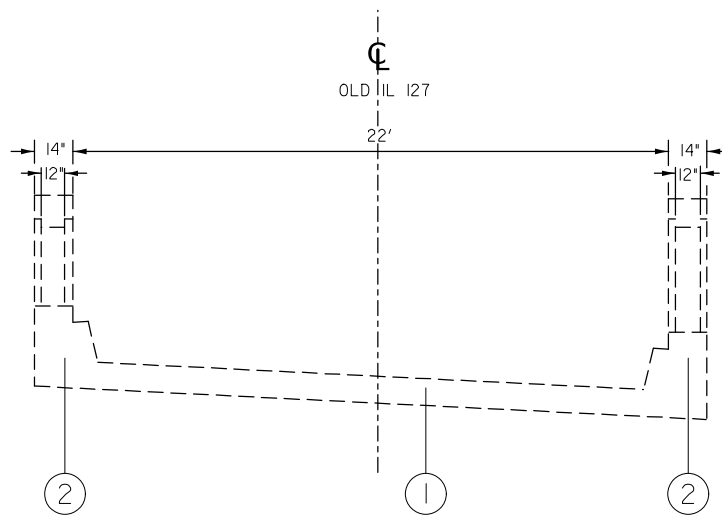
REV - MS

MODEL: I:\united [Sheet]  
 FILE NAME: P:\projects\p1\benley.com\PI\DOT\Documents\DOT Office\Drawings\CHRD\Project\0876731\CADD\Drawings\0876731\_sht-general.dgn

USER NAME = Diana.Murray	DESIGNED -	REVISED -	<b>STATE OF ILLINOIS DEPARTMENT OF TRANSPORTATION</b>	<b>INDEX OF SHEETS, HIGHWAY STANDARDS GENERAL NOTES &amp; COMMITMENTS</b>	S.B.I. RTE.	SECTION	COUNTY	TOTAL SHEETS	SHEET NO.	
	DRAWN -	REVISED -			127	111DM	BOND	8	2	
PLOT SCALE = 0.16666633' / in.	CHECKED -	REVISED -			CONTRACT NO. 76T31					
PLOT DATE = 6/11/2024	DATE -	REVISED -			ILLINOIS FED. AID PROJECT					
				SCALE:	SHEET 1	OF 1 SHEETS	STA.	TO STA.		



MODEL: TYPICALS [Sheet]  
 FILE NAME: P:\GIS\Projects\DOT\Office\District 8\ORD Project\B376731\CADD\as-CAD\Sheet\B376731-4-hd-hal.dgn



**EXISTING TYPICAL SECTION**

SN 003-0041

**LEGEND**

- ① EXISTING PCC PAVEMENT
- ② EXISTING RAILING

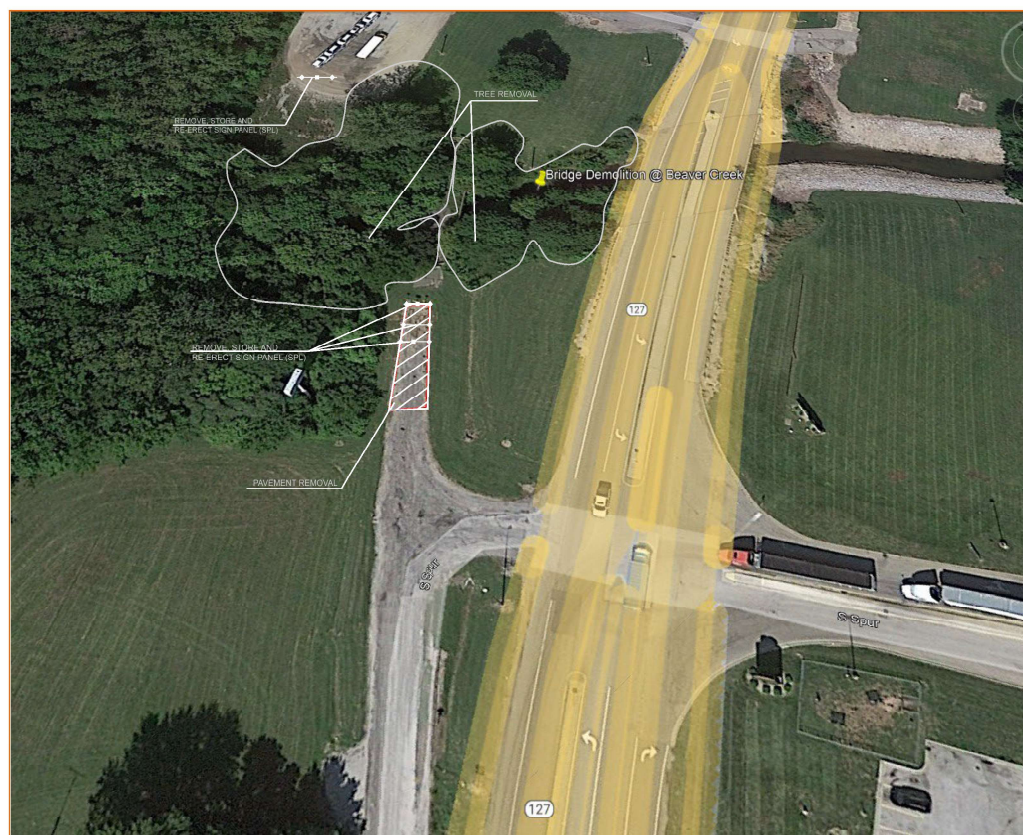
USER NAME = Diana.Murray	DESIGNED -	REVISED -
	DRAWN -	REVISED -
PLOT SCALE = 0.16666633' / in.	CHECKED -	REVISED -
PLOT DATE = 6/11/2024	DATE -	REVISED -

**STATE OF ILLINOIS  
 DEPARTMENT OF TRANSPORTATION**

**TYPICAL SECTIONS**

SCALE: NOT TO SCALE SHEET 1 OF 1 SHEETS STA. TO STA.

S.B. I. RTE.	SECTION	COUNTY	TOTAL SHEETS	SHEET NO.
127	111DM	BOND	8	4
CONTRACT NO. 76T31				
ILLINOIS FED. AID PROJECT				



**REMOVAL DETAIL**

TREE REMOVAL SCHEDULE	
LOCATION	TREE REMOVAL
	ACRE
SUBTOTAL:	2.4
TOTAL:	2.4

PAVEMENT REMOVAL SCHEDULE	
LOCATION	PAVEMENT REMOVAL
	SQ YD
SUBTOTAL:	142.8
TOTAL:	142.8

SIGN PANEL SCHEDULE	
TYPE	REMOVE, STORE AND RE-ERECT SIGN PANEL (SPECIAL)
	EACH
RED DIAMOND	6
ROAD ENDS	3
ADVANCE WARNING	2
SUBTOTAL:	11
TOTAL:	11

MODEL: Detail [Sheet]  
FILE NAME: c:\p\work\p\w\idomurray\d\03039\0876731-shi-location map-exist plan.dgn

USER NAME = Diaria Murray	DESIGNED -	REVISED -
	DRAWN -	REVISED -
	CHECKED -	REVISED -
PLOT DATE = 6/11/2024	DATE -	REVISED -

**STATE OF ILLINOIS  
DEPARTMENT OF TRANSPORTATION**

**SCHEDULE OF QUANTITIES WITH DETAIL**

SCALE: SHEET 1 OF 1 SHEETS STA. TO STA.

S.B.I. RTE.	SECTION	COUNTY	TOTAL SHEETS	SHEET NO.
127	111DM	BOND	8	5
CONTRACT NO. 76T31				
ILLINOIS FED. AID PROJECT				

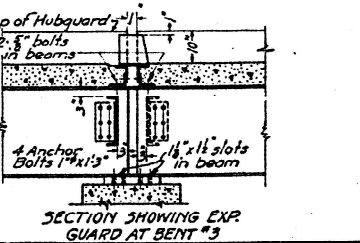
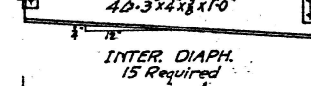
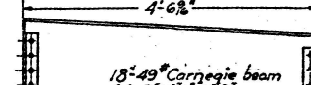
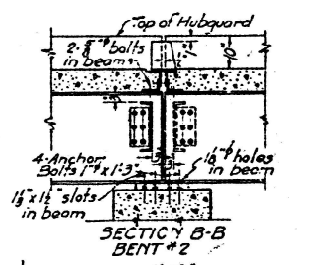
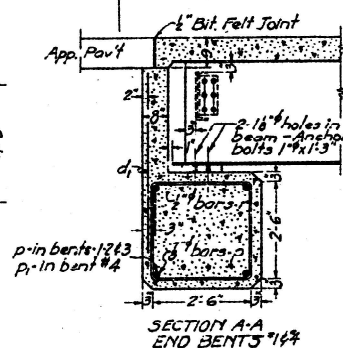
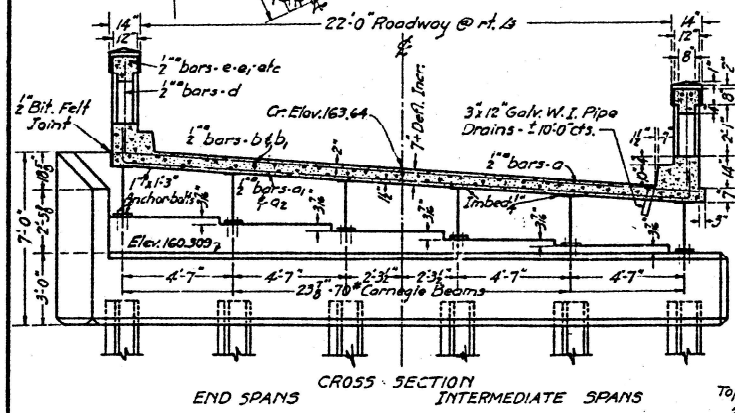
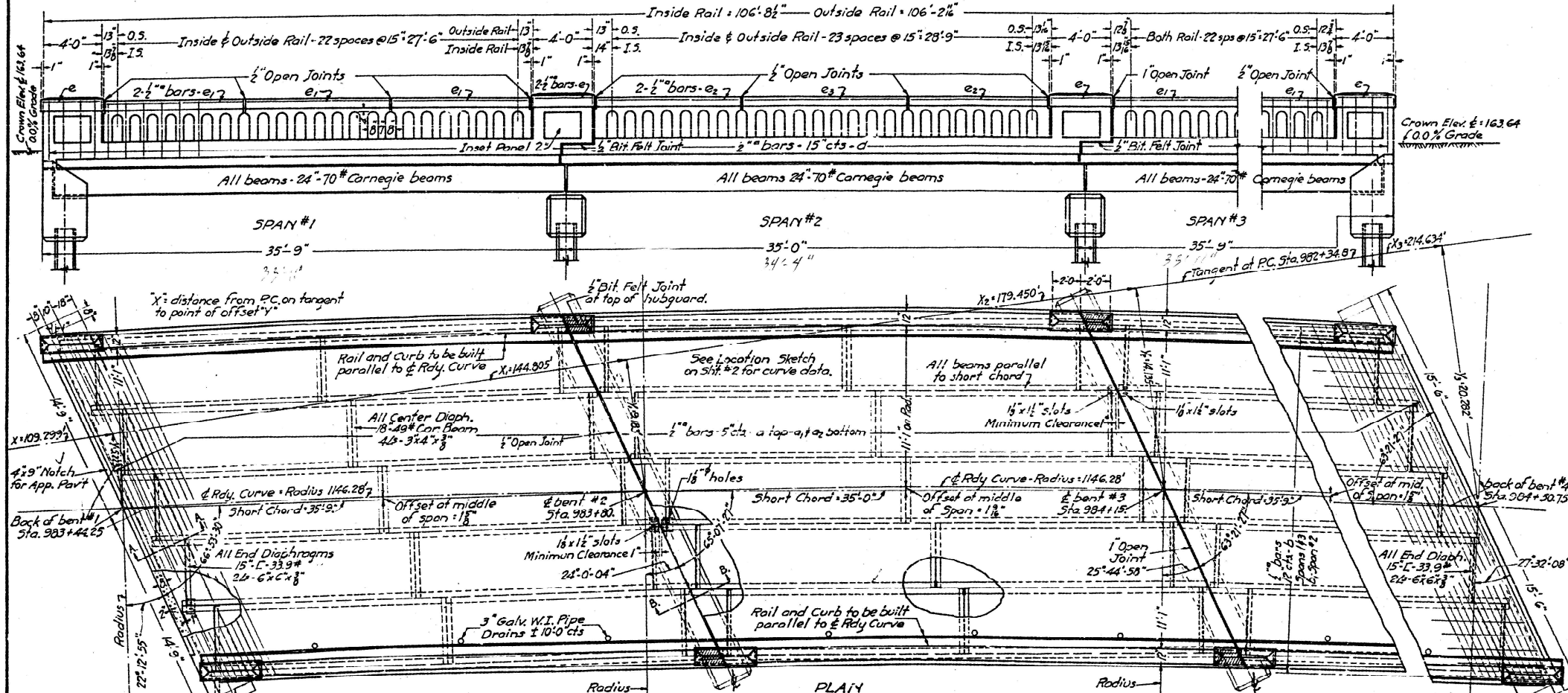


B.M. = N.W. Top hedge stump - 48' ft.  
Sta. 987+12. Elevation 158.90.  
No Existing Structure.

STATE OF ILLINOIS  
DEPARTMENT OF PUBLIC WORKS & BUILDINGS  
DIVISION OF HIGHWAYS

PROJECT NO.	SEC.	COUNTY	TOTAL SHEETS	SHEET NO.
127	110-B	Bond	43	41

2 SHEETS



Notes:  
Class X concrete shall be used throughout.  
Reinforcing steel to be wired secured in place before concrete is poured.  
Concrete floor shall be given a smooth finish according to the Specs for finishing the surface of floor slabs on concrete bridges.  
Anchor bolts to be placed before connecting diaphragms over bent.  
3" rivets - 1/2" holes to be used unless noted.  
Inspection by Illinois Division of Highways before painting.  
Paint (See Specs) One coat in shop - two coats in field.  
Each pile to have a minimum capacity of 30 tons.  
One test pile to be driven at each of Sta. 983+80 and 984+50.75

TOTAL BILL OF MATERIAL

Bar	No.	Size	Length
a	466	1/2"	14'-3"
a1	233	-	17'-3"
a2	233	-	17'-3"
b	100	-	18'-9"
b1	50	-	18'-3"
e	16	-	3'-9"
e1	24	-	9'-0"
e2	8	-	10'-9"
e3	4	-	8'-6"
d	178	-	3'-9"
d1	62	-	4'-6"
p	12	1"	29'-0"
p1	4	-	30'-6"
r	50	1/2"	11'-9"
r1	50	-	11'-0"

Class X concrete (Rail) C&G 16.1  
Class X concrete (Span) C&G 67.6  
Class X concrete (Cap) C&G 47.6  
Structural Steel - Lbs. 56140  
Reinforcing Steel - Lbs. 11020  
Name Plate one

3 spaces @ 5'-10" x 17'-6"  
INCREASE IN SLAB THICKNESS DUE TO DEFLECTION OF BEAMS.

S.B.I. ROUTE 127 - SE  
BOND COUNTY  
STA. 983+97.0

COMPUTED - P. Michener	EXAMINED - 1-26-1933
CHECKED - P. J. J.	DESIGNED - F. R. J.
DRAWN - P. M.	PASSED - H. E. J.
CHECKED - F. R. J.	APPROVED - F. R. J.
SPECIAL ASSEMBLED -	APPROVED - F. R. J.
CHECKED -	

STATE OF ILLINOIS  
DEPARTMENT OF TRANSPORTATION

EXISTING STRUCTURE PLANS

SCALE: SHEET 1 OF 2 SHEETS STA. TO STA.

FOR INFORMATION ONLY

MODEL - Existing Structure Plan Sheet-1 (Sheet)  
FILE NAME - c:\pwworking\dmurray\2011\030303\0876731-shi-location-map-exist-plan.dgn

USER NAME - Dilaria Murray	DESIGNED -	REVISED -
PLOT SCALE = 0.16666633' / in	CHECKED -	REVISED -
PLOT DATE = 6/11/2024	DATE -	REVISED -

S.B.I. RTE.	SECTION	COUNTY	TOTAL SHEETS	SHEET NO.
127	111DM	BOND	8	7
CONTRACT NO. 76T31			ILLINOIS FED. AID PROJECT	

