

09-20-2024 LETTING ITEM 053

FOR INDEX OF SHEETS, SEE SHEET NO. 2

TRAFFIC DATA

GREAT RIVER RD	2023 ADT	POSTED SPEED
	2,500	30 MPH

HIGHWAY FUNCTIONAL CLASSIFICATION

IL ROUTE 16 (GREAT RIVER RD)	MINOR ARTERIAL
------------------------------	----------------

STATE OF ILLINOIS
DEPARTMENT OF TRANSPORTATION

**PROPOSED
HIGHWAY PLANS**

F.A.P. ROUTE 304 (IL ROUTE 16)
SECTION (4,5)I

MISCELLANEOUS ELECTRICAL REPAIRS
AT THE JOE PAGE BRIDGE IN HARDIN

GREENE COUNTY

C-98-042-24
SN 031-0001

F.A.P. RTE.	SECTION	COUNTY	TOTAL SHEETS	SHEET NO.
304	(531-2-HB)BR 23	GREENE	35	1
		ILLINOIS	CONTRACT NO. 76T43	

D-98-010-24



PROJECT IS LOCATED IN:
VILLAGE OF HARDIN



FULL SIZE PLANS HAVE BEEN PREPARED USING STANDARD ENGINEERING SCALES. REDUCED SIZED PLANS WILL NOT CONFORM TO STANDARD SCALES. IN MAKING MEASUREMENTS ON REDUCED PLANS, THE ABOVE SCALES MAY BE USED.

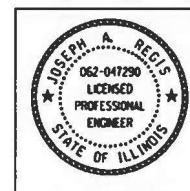
J.U.L.I.E.
JOINT UTILITY LOCATION INFORMATION FOR EXCAVATORS
1-800-892-0123
OR 811

PROJECT ENDS
STA. 18+06.68
39.160278, -90.615833



PROJECT BEGINS
STA. -5+72.54
39.160107, -90.609666

GROSS LENGTH = 2,380 FT. = 0.45 MILE
NET LENGTH = 2,380 FT. = 0.45 MILE



Signed: *Joseph A. Rege*
Date: 7/1/2024
Expires: 11/30/2025
Sheets: 2 HMA Tables, 7-15



Rasheshkumar D. Patel 7/1/2024
RASHESHKUMAR D. PATEL, P.E. DATE
LICENSE NO.: 062-064617
EXPIRES: 11-30-2025
SHEETS: 1-6, 16-35

PROJECT MANAGER: CRAIG POETTKER
PROJECT ENGINEER: CHERYL KEPLAR

CONTRACT NO. 76T43



230 WEST MONROE STREET
SUITE 1400
CHICAGO, IL 60606
(312) 629-0240
ILLINOIS PROFESSIONAL DESIGN FIRM
REGISTRATION NO. 184001139-002



STATE OF ILLINOIS
DEPARTMENT OF TRANSPORTATION

SUBMITTED *July 9, 2024*
RK/HK

August 16, 2024
S.A. Elk
REGIONAL ENGINEER
ENGINEER OF DESIGN AND ENVIRONMENT

August 16, 2024
Rasheshkumar D. Patel
DIRECTOR OF HIGHWAYS PROJECT IMPLEMENTATION

PRINTED BY THE AUTHORITY
OF THE STATE OF ILLINOIS

REV - MS

INDEX OF SHEETS

SHEET NUMBERS	DRAWING NUMBERS	DESCRIPTION
1		COVER
2	GEN-01	INDEX OF SHEETS, HIGHWAY STANDARDS, DISTRICT EIGHT DETAILS AND GENERAL NOTES
3	SOQ-01	SUMMARY OF QUANTITIES
4	SOQ-02	SUMMARY OF QUANTITIES
5	SOQ-03	SUMMARY OF QUANTITIES
6	SOQ-04	SUMMARY OF QUANTITIES
7 - 15	MOT-01 TO MOT-09	MAINTENANCE OF TRAFFIC PLANS
16	LT-01	LIGHTING LEGEND AND GENERAL NOTES
17 - 20	LT-02 TO LT-05	JOE PAGE BRIDGE ELECTRICAL EQUIPMENT SCHEDULE
21 - 22	LT-06 TO LT-07	JOE PAGE BRIDGE ELECTRICAL CABLE AND CONDUIT SCHEDULE
23	23	JOE PAGE BRIDGE PANELBOARD SCHEDULES
24	24	JOE PAGE BRIDGE PLAN VIEW
25	25	JOE PAGE BRIDGE TYPICAL CONDUIT CROSS SECTIONS
26 - 29	LT-11 TO LT-14	JOE PAGE BRIDGE WIRING DIAGRAM FROM CONTRACT 76281
30 - 35	LT-15 TO LT-20	JOE PAGE BRIDGE DETAILS FROM CONTRACT 76281

HIGHWAY STANDARDS

STANDARD NO.	TITLE
000001-08	STANDARD SYMBOLS, ABBREVIATIONS AND PATTERNS
001006	DECIMAL OF AN INCH AND OF A FOOT
420001-10	PAVEMENT JOINTS
442201-03	CLASS C AND D PATCHES
606301-04	PC CONCRETE ISLANDS AND MEDIANS
701001-02	OFF-RD OPERATIONS, 2L, 2W, MORE THAN 15' AWAY
701006-05	OFF-RD OPERATIONS, 2L, 2W, 15' TO 24" FROM PAVEMENT EDGE
701011-04	OFF-RD MOVING OPERATIONS, 2L, 2W, DAY ONLY
701201-05	LANE CLOSURE, 2L, 2W, DAY ONLY, FOR SPEEDS
701301-04	LANE CLOSURE, 2L, 2W, SHORT TIME OPERATIONS
701311-03	LANE CLOSURE, 2L, 2W, MOVING OPERATIONS -DAY ONLY
701321-18	LANE CLOSURE, 2L, 2W, BRIDGE REPAIR WITH BARRIER
701501-06	URBAN LANE CLOSURE, 2L, 2W, UNDIVIDED
701901-09	TRAFFIC CONTROL DEVICES
704001-08	TEMPORARY CONCRETE BARRIER
720001-01	SIGN PANEL MOUNTING DETAILS
720006-04	SIGN PANEL ERECTION DETAILS
782006-01	GUARDRAIL AND BARRIER WALL REFLECTOR MOUNTING DETAILS

HOT-MIX ASPHALT MIXTURE REQUIREMENTS		QUALITY MANAGEMENT
MIXTURE TYPE	AIR VOIDS @ Ndes	
PATCHING ITEM		
CLASS D PATCHES, TYPE III, 14 INCH	4.0% @ 70 GYR.	QC/QA
HOT-MIX ASPHALT BINDER, IL-19.0, N70 12"	4.0% @ 70 GYR.	QC/QA
HOT-MIX ASPHALT SURFACE COURSE, IL-9.5, MIX "D", N70 2"	4.0% @ 70 GYR.	QC/QA
QMP DESIGNATION: QUALITY CONTROL/QUALITY ASSURANCE (QC/QA)		

- NOTE 1: THE UNIT USED TO CALCULATE ALL HMA SURFACE MIXTURE QUANTITIES IS 112 LBS/SQ YD/IN.
- NOTE 2: THE "AC TYPE" FOR POLYMERIZED HMA MIXES SHALL BE "SBS/SBR PG 76-22" AND FOR NON-POLYMERIZED HMA THE "AC TYPE" SHALL BE "PG 64-22" UNLESS MODIFIED BY RECLAIMED MATERIALS SPECIFICATIONS.

GENERAL NOTES

- SEVENTY-TWO (72) HOURS BEFORE STARTING EXCAVATION, THE CONTRACTOR SHALL CALL JULIE AT 1-800-892-0123 TO HAVE THE LOCATION OF EXISTING UNDERGROUND UTILITIES MARKED IN THE FIELD.
- IT SHALL BE THE CONTRACTOR'S RESPONSIBILITY TO VERIFY ALL DIMENSIONS AND CONDITIONS EXISTING IN THE FIELD PRIOR TO ORDERING MATERIALS AND BEGINNING CONSTRUCTION.
- THE CABLE AND CONDUIT SCHEDULE, PANELBOARD AND EXISTING EQUIPMENT SCHEDULE, AND RECORD DRAWINGS ARE INCLUDED TO PROVIDE CONNECTION INFORMATION FOR THE CONTRACTOR AND ARE NOT PROVIDED TO REPLACE EXISTING EQUIPMENT.
- THE LIFT SPAN SHALL BE KEPT IN BALANCE EAST TO WEST AND NORTH TO SOUTH DURING ALL CONSTRUCTION ACTIVITIES.

REV - MS

REV - MS

MODEL: Default
FILE NAME: J:\2229810304_CADD\CADD_Sheets\76281-General-01.dgn



USER NAME = vnuhez	DESIGNED - MG	REVISED -
	DRAWN - VN/NG	REVISED -
PLOT SCALE = 2.0000' / in.	CHECKED - RP	REVISED -
PLOT DATE = 7/1/2024	DATE - 7/1/2024	REVISED -

STATE OF ILLINOIS
DEPARTMENT OF TRANSPORTATION

INDEX OF SHEETS, HIGHWAY STANDARDS,
DISTRICT EIGHT DETAILS AND GENERAL NOTES

SCALE: SHEET OF SHEETS STA. TO STA.

F.A.U. RTE.	SECTION	COUNTY	TOTAL SHEETS	SHEET NO.
1292	(531-2+HB)BR 23	GREENE	35	2
CONTRACT NO. 76T43				
ILLINOIS FED. AID PROJECT				

RURAL
CONSTRUCTION
CODE
100% STATE

CODE NO.	ITEM	UNIT	LIGHTING 0021
44000100	PAVEMENT REMOVAL	SQ YD	14
44003100	MEDIAN REMOVAL	SQ FT	106
44201819	CLASS D PATCHES, TYPE III, 14 INCH	SQ YD	12
60622800	CONCRETE MEDIAN, TYPE SM-6.12	SQ FT	130
67100100	MOBILIZATION	L SUM	1
70102620	TRAFFIC CONTROL AND PROTECTION, STANDARD 701501	L SUM	1
70103815	TRAFFIC CONTROL SURVEILLANCE	CAL DA	4
70106700	TEMPORARY RUMBLE STRIPS	EACH	42
70107007	PAVEMENT MARKING BLACKOUT TAPE, 7"	FOOT	6109
70300221	TEMPORARY PAVEMENT MARKING - LINE 4"- PAINT	FOOT	6830
70300241	TEMPORARY PAVEMENT MARKING - LINE 6"- PAINT	FOOT	4026
70300281	TEMPORARY PAVEMENT MARKING - LINE 24"- PAINT	FOOT	152
70400100	TEMPORARY CONCRETE BARRIER	FOOT	1725
70400200	RELOCATE TEMPORARY CONCRETE BARRIER	FOOT	3325
70600241	IMPACT ATTENUATORS, TEMPORARY (NON- REDIRECTIVE, NARROW), TEST LEVEL 2	EACH	3
70600255	IMPACT ATTENUATORS, TEMPORARY (FULLY REDIRECTIVE, NARROW), TEST LEVEL 2	EACH	1

REV - MS

MODEL: Default
FILE NAME: J:\22298.0304_CADD\CADD_Sheets\76T43-29-C1.dgn



USER NAME = vnuhez	DESIGNED - MG	REVISED -
PLOT SCALE = 2.0000' / in.	DRAWN - VN/NG	REVISED -
PLOT DATE = 7/1/2024	CHECKED - RP	REVISED -
	DATE - 7/1/2024	REVISED -

STATE OF ILLINOIS
DEPARTMENT OF TRANSPORTATION

SUMMARY OF QUANTITIES

SCALE: SHEET OF SHEETS STA. TO STA.

F.A.U. RTE.	SECTION	COUNTY	TOTAL SHEETS	SHEET NO.
1292	(531-2+HB)BR 23	GREENE	35	3
CONTRACT NO. 76T43				
		ILLINOIS	FED. AID PROJECT	

RURAL
CONSTRUCTION
CODE
100% STATE

CODE NO.	ITEM	UNIT	LIGHTING
70600322	IMPACT ATTENUATORS, RELOCATE (FULLY REDIRECTIVE, NARROW), TEST LEVEL 2	EACH	3
70600341	IMPACT ATTENUATORS, RELOCATE (NON- REDIRECTIVE, NARROW), TEST LEVEL 2	EACH	9
* 72000100	SIGN PANEL - TYPE 1	SQ FT	19
* 72400200	REMOVE SIGN PANEL ASSEMBLY - TYPE B	EACH	1
* 72400310	REMOVE SIGN PANEL - TYPE 1	SQ FT	6.25
* 73000100	WOOD SIGN SUPPORT	FOOT	24
* 78001130	PAINT PAVEMENT MARKING - LINE 6"	FOOT	9615
* 78001140	PAINT PAVEMENT MARKING - LINE 8"	FOOT	115
* 78001150	PAINT PAVEMENT MARKING - LINE 12"	FOOT	51
* 78001180	PAINT PAVEMENT MARKING - LINE 24"	FOOT	22
* 78200011	BARRIER WALL REFLECTORS, TYPE C	EACH	163
78300202	PAVEMENT MARKING REMOVAL - WATER BLASTING	SQ FT	3949
81100220	CONDUIT ATTACHED TO STRUCTURE, 3/4" DIA., PVC COATED GALVANIZED STEEL	FOOT	4422
81100320	CONDUIT ATTACHED TO STRUCTURE, 1" DIA., PVC COATED GALVANIZED STEEL	FOOT	1910
81100420	CONDUIT ATTACHED TO STRUCTURE, 1 1/4" DIA., PVC COATED GALVANIZED STEEL	FOOT	620
81100510	CONDUIT ATTACHED TO STRUCTURE, 1 1/2" DIA., PVC COATED GALVANIZED STEEL	FOOT	840
81100605	CONDUIT ATTACHED TO STRUCTURE, 2" DIA., PVC COATED GALVANIZED STEEL	FOOT	130

* SPECIALTY ITEM

REV - MS

MODEL: Default
FILE NAME: J:\22298.03\04_CADD\CADD_Sheets\76743-04.dwg



USER NAME = vnuhez	DESIGNED - MG	REVISED -
PLOT SCALE = 2.0000' / in.	DRAWN - VN/NG	REVISED -
PLOT DATE = 7/1/2024	CHECKED - RP	REVISED -
	DATE - 7/1/2024	REVISED -

STATE OF ILLINOIS
DEPARTMENT OF TRANSPORTATION

SUMMARY OF QUANTITIES

SCALE: SHEET OF SHEETS STA. TO STA.

F.A.U. RTE.	SECTION	COUNTY	TOTAL SHEETS	SHEET NO.
1292	(531-2+HB)BR 23	GREENE	35	4
CONTRACT NO. 76743				
ILLINOIS FED. AID PROJECT				

RURAL
CONSTRUCTION
CODE
100% STATE

CODE NO.	ITEM	UNIT	LIGHTING
81100705	CONDUIT ATTACHED TO STRUCTURE, 2 1/2" DIA., PVC COATED GALVANIZED STEEL	FOOT	345
81100805	CONDUIT ATTACHED TO STRUCTURE, 3" DIA., PVC COATED GALVANIZED STEEL	FOOT	130
81101005	CONDUIT ATTACHED TO STRUCTURE, 4" DIA., PVC COATED GALVANIZED STEEL	FOOT	130
81702100	ELECTRIC CABLE IN CONDUIT, 600V (XLP-TYPE USE) 1/C NO. 12	FOOT	106804.5
81702110	ELECTRIC CABLE IN CONDUIT, 600V (XLP-TYPE USE) 1/C NO. 10	FOOT	50765
81702120	ELECTRIC CABLE IN CONDUIT, 600V (XLP-TYPE USE) 1/C NO. 8	FOOT	5319.6
81702130	ELECTRIC CABLE IN CONDUIT, 600V (XLP-TYPE USE) 1/C NO. 6	FOOT	6220.5
81702140	ELECTRIC CABLE IN CONDUIT, 600V (XLP-TYPE USE) 1/C NO. 4	FOOT	99
81702170	ELECTRIC CABLE IN CONDUIT, 600V (XLP-TYPE USE) 1/C NO. 2/0	FOOT	649
81702190	ELECTRIC CABLE IN CONDUIT, 600V (XLP-TYPE USE) 1/C NO. 4/0	FOOT	137.5
89502300	REMOVE ELECTRIC CABLE FROM CONDUIT	FOOT	159206
X0325493	MAINTENANCE OF BRIDGE ELECTRICAL SYSTEM	L SUM	1
X6350108	FLEXIBLE DELINEATORS	EACH	158
X7010216	TRAFFIC CONTROL AND PROTECTION, (SPECIAL)	L SUM	1
X7016500	TEMPORARY BRIDGE TRAFFIC SIGNALS (SPECIAL)	EACH	6

REV - MS

MODEL: Default
FILE NAME: J:\22298.03\04_CADD\CADD_Sheets\76743-02-03.dgn



USER NAME = vnunez	DESIGNED - MG	REVISED -
PLOT SCALE = 2.0000" = 1 in.	DRAWN - VN/NG	REVISED -
PLOT DATE = 7/1/2024	CHECKED - RP	REVISED -
	DATE - 7/1/2024	REVISED -

STATE OF ILLINOIS
DEPARTMENT OF TRANSPORTATION

SUMMARY OF QUANTITIES

SCALE: SHEET OF SHEETS STA. TO STA.

F.A.U. RTE.	SECTION	COUNTY	TOTAL SHEETS	SHEET NO.
1292	(531-2+HB)BR 23	GREENE	35	5
CONTRACT NO. 76743				
ILLINOIS FED. AID PROJECT				

RURAL
CONSTRUCTION
CODE
100% STATE

CODE NO.	ITEM	UNIT	LIGHTING
X7200201	WIDTH RESTRICTION SIGNING	L SUM	1
X8430100	REMOVE EXISTING CONDUIT ATTACHED TO STRUCTURE	FOOT	8527
X8710036	FIBER OPTIC CABLE 12 FIBERS, SINGLE MODE	FOOT	1465
X8730571	ELECTRIC CABLE IN CONDUIT, COAXIAL	FOOT	75
X8950510	REMOVE FIBER OPTIC CABLE FROM CONDUIT	FOOT	1465
Ø Z0076604	TRAINEES TRAINING PROGRAM GRADUATE	HOUR	1000
* Z0036200	PAINT CURB	FOOT	40

* SPECIALTY ITEM

Ø 0042

REV - MS

MODEL: D:\s\h\h
FILE NAME: J:\22298\0304_CADD\CADD_Sheets\76T43-004.dgn



USER NAME = vnunez	DESIGNED - MG	REVISED -
	DRAWN - VN/NG	REVISED -
PLOT SCALE = 2,0000' / 1 in.	CHECKED - RP	REVISED -
PLOT DATE = 7/1/2024	DATE - 7/1/2024	REVISED -

STATE OF ILLINOIS
DEPARTMENT OF TRANSPORTATION

SUMMARY OF QUANTITIES

SCALE: SHEET OF SHEETS STA. TO STA.

F.A. U. RTE.	SECTION	COUNTY	TOTAL SHEETS	SHEET NO.
1292	(531-2-HB)BR 23	GREENE	35	6
CONTRACT NO. 76T43				
ILLINOIS FED. AID PROJECT				

**TRAFFIC CONTROL SCHEDULES
AND ISLAND DETAILS**

STAGE-1 (A) W. APPROACH THRU SPAN 4 (WB CLOSURE) TRAFFIC CONTROL ITEMS (MEASURED FOR PAYMENT)		
PAY ITEM	UNIT	QUANTITY
TEMPORARY CONCRETE BARRIER	FOOT	875
TEMPORARY BRIDGE TRAFFIC SIGNALS (SPECIAL)	EACH	1
IMPACT ATTENUATORS, TEMPORARY (FULLY REDIRECTIVE, NARROW), TEST LEVEL 2	EACH	1
IMPACT ATTENUATORS, TEMPORARY (NON-REDIRECTIVE, NARROW), TEST LEVEL 2	EACH	3
BARRIER WALL REFLECTORS, TYPE C	EACH	29
TRAFFIC CONTROL SURVEILLANCE	CAL DA	2
PAVEMENT MARKING REMOVAL - WATER BLASTING	SQ FT	236
PAVEMENT MARKING BLACKOUT TAPE, 7"	FOOT	1924
TEMPORARY RUMBLE STRIPS	EACH	9
FLEXIBLE DELINEATORS	EACH	79
TEMPORARY PAVEMENT MARKING - LINE 4"	FOOT	1390
TEMPORARY PAVEMENT MARKING - LINE 6"	FOOT	712.5
TEMPORARY PAVEMENT MARKING - LINE 24"	FOOT	29.5

STAGE-2 (A) W. APPROACH THRU SPAN 4 (EB CLOSURE) TRAFFIC CONTROL ITEMS (MEASURED FOR PAYMENT)		
PAY ITEM	UNIT	QUANTITY
TEMPORARY CONCRETE BARRIER	FOOT	350
RELOCATE TEMPORARY CONCRETE BARRIER	FOOT	525
TEMPORARY BRIDGE TRAFFIC SIGNALS (SPECIAL)	EACH	1
IMPACT ATTENUATORS, RELOCATE (FULLY REDIRECTIVE, NARROW), TEST LEVEL 2	EACH	1
IMPACT ATTENUATORS, RELOCATE (NON-REDIRECTIVE, NARROW), TEST LEVEL 2	EACH	3
BARRIER WALL REFLECTORS, TYPE C	EACH	29
PAVEMENT MARKING REMOVAL - WATER BLASTING	SQ FT	913.5
TEMPORARY RUMBLE STRIPS	EACH	9
FLEXIBLE DELINEATORS	EACH	79
TEMPORARY PAVEMENT MARKING - LINE 4"	FOOT	1390
TEMPORARY PAVEMENT MARKING - LINE 6"	FOOT	712.5
TEMPORARY PAVEMENT MARKING - LINE 24"	FOOT	29.5

NOTES:

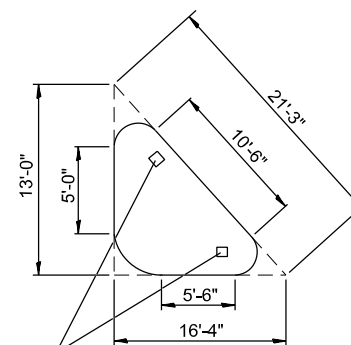
- TRAFFIC CONTROL QUANTITIES SHOWN ARE APPROXIMATE AND MAY BE VARIED BY THE ENGINEER TO SUITE FIELD CONDITIONS.
- YELLOW 6" PAVEMENT MARKING LINES ARE TO BE APPLIED TO TEMPORARY CONCRETE BARRIER SECTIONS THAT ARE IMMEDIATELY ADJACENT TO TRAFFIC.
- PRIOR TO PLACING SPAN 1 THRU 4 WB CLOSURE TRAFFIC CONTROL, THE CONTRACTOR SHALL REMOVE THE EXISTING ISLAND AND PLACE THE PAVEMENT PATCH. AFTER REMOVING THE SPAN 1 THRU 4 WB CLOSURE TRAFFIC CONTROL, THE CONTRACTOR SHALL REMOVE THE PAVEMENT PATCH AND RE-BUILD THE ISLAND. TRAFFIC CONTROL FOR ISLAND WORK SHALL BE IN ACCORDANCE WITH STANDARD 701501. TEMPORARY STOP SIGNS SHALL BE PLACED TO MAINTAIN THE OPERATION OF THE INTERSECTION WHEN TRAFFIC SIGNALS ARE NOT IN PLACE. COST OF TEMPORARY STOP SIGNS ARE INCLUDED IN THE COST FOR TRAFFIC CONTROL AND PROTECTION (SPECIAL).
- MEDIAN DIMENSIONS SHOWN DICTATE EXISTING CONDITION AND THE TOP SURFACE AREA OF THE PROPOSED SOLID MEDIAN. QUANTITIES SHOWN INCLUDE REMOVAL TO INSTALL TYPE SM-6.12 GUTTERS AND MEDIAN SURFACE.
- SEE HIGHWAY STANDARD 606301 FOR MEDIAN DETAILS.
- QUANTITIES IN EACH TABLE ARE FOR AN INDIVIDUAL STAGE SUCH AS 1(B) OR 2(B) BUT NOT STAGES 1(B) AND 2(B) COMBINED.

STAGE- 1 (A) W. APPROACH THRU SPAN 4 (WB CLOSURE) TRAFFIC CONTROL ITEMS (INCLUDED IN T.C.&P. (SPECIAL))		
PAY ITEM	UNIT	QUANTITY
BARRICADES, TYPE III WITH WARNING LIGHT	EACH	3
DRUM WITH STEADY BURN BIDIRECTIONAL LIGHT	EACH	16

STAGE- 2 (A) W. APPROACH THRU SPAN 4 (EB CLOSURE) TRAFFIC CONTROL ITEMS (INCLUDED IN T.C.&P. (SPECIAL))		
PAY ITEM	UNIT	QUANTITY
BARRICADES, TYPE III WITH WARNING LIGHT	EACH	3
DRUM WITH STEADY BURN BIDIRECTIONAL LIGHT	EACH	17

STAGE-1(B) / STAGE-2(B) SPAN 5 THRU 8 (EB & WB CLOSURE) (MEASURED FOR PAYMENT) *		
PAY ITEM	UNIT	QUANTITY
TEMPORARY CONCRETE BARRIER	FOOT	500
RELOCATE TEMPORARY CONCRETE BARRIER	FOOT	1750
TEMPORARY BRIDGE TRAFFIC SIGNALS (SPECIAL)	EACH	2
IMPACT ATTENUATORS, RELOCATE (NON-REDIRECTIVE, NARROW), TEST LEVEL 2	EACH	4
BARRIER WALL REFLECTORS, TYPE C	EACH	78
PAVEMENT MARKING REMOVAL - WATER BLASTING	SQ FT	879
PAVEMENT MARKING BLACKOUT TAPE, 7"	FOOT	2687
TEMPORARY RUMBLE STRIPS	EACH	12
TRAFFIC CONTROL SURVEILLANCE	CAL DA	2
TEMPORARY PAVEMENT MARKING - LINE 4"	FOOT	2673
TEMPORARY PAVEMENT MARKING - LINE 6"	FOOT	1875
TEMPORARY PAVEMENT MARKING - LINE 24"	FOOT	46

STAGE-1(C) / STAGE-2(C) SPAN 9 THRU 15 (EB & WB CLOSURE) (MEASURED FOR PAYMENT) *		
PAY ITEM	UNIT	QUANTITY
RELOCATE TEMPORARY CONCRETE BARRIER	FOOT	1050
TEMPORARY BRIDGE TRAFFIC SIGNALS (SPECIAL)	EACH	2
IMPACT ATTENUATORS, RELOCATE (NON-REDIRECTIVE, NARROW), TEST LEVEL 2	EACH	2
IMPACT ATTENUATORS, RELOCATE (FULLY-REDIRECTIVE, NARROW), TEST LEVEL 2	EACH	1
BARRIER WALL REFLECTORS, TYPE C	EACH	27
PAVEMENT MARKING REMOVAL - WATER BLASTING	SQ FT	1920.5
PAVEMENT MARKING BLACKOUT TAPE, 7"	FOOT	1498
TEMPORARY RUMBLE STRIPS	EACH	12
TEMPORARY PAVEMENT MARKING - LINE 4"	FOOT	1377
TEMPORARY PAVEMENT MARKING - LINE 6"	FOOT	725
TEMPORARY PAVEMENT MARKING - LINE 24"	EACH	46



PROVIDE (2) - 1FTx1FT BLOCKOUTS FOR SIGN POSTS (COST INCLUDED WITH CONCRETE MEDIAN, TYPE SM-6.12)
MEDIAN AT NE CORNER OF IL 100 AND PARK ST SHOWN ON STAGE 1(A) & 2(A)

MEDIAN DETAIL (N.T.S.)

MEDIAN REMOVAL AND REPLACEMENT QUANTITIES		
PAY ITEM	UNIT	QUANTITY
MEDIAN REMOVAL	SQ FT	106
CLASS D PATCHES, TYPE III, 14 INCH	SQ YD	12
PAVEMENT REMOVAL	SQ YD	14
CONCRETE MEDIAN, TYPE SM-6.12	SQ FT	130
** SIGN PANEL, TYPE I	SQ FT	18.75
WOOD SIGN SUPPORT	FOOT	24
REMOVE SIGN PANEL ASSEMBLY - TYPE B	EACH	1
REMOVE SIGN PANEL - TYPE 1	SQ FT	6.25

STAGE-1(B) / STAGE-2(B) SPAN 5 THRU 8 (EB & WB CLOSURE) (INCLUDED IN T.C.&P. (SPECIAL) *)		
PAY ITEM	UNIT	QUANTITY
BARRICADES, TYPE III WITH WARNING LIGHT	EACH	4
DRUM WITH STEADY BURN BIDIRECTIONAL LIGHT	EACH	32

STAGE-1(C) / STAGE-2(C) SPAN 9 THRU 15 (EB & WB CLOSURE) *		
PAY ITEM	UNIT	QUANTITY
BARRICADES, TYPE III WITH WARNING LIGHT	EACH	4
DRUM WITH STEADY BURN BIDIRECTIONAL LIGHT	EACH	32

* QUANTITIES BASED ON AN EB AND A WB STAGE FOR THE SPANS SHOWN.

SIGN SCHEDULE **				
SIGN TYPE	MUTCD/IL CODE	SIZE	AREA (SQ FT)	NUMBER
STOP	R1-1	30"x30"	6.25	2
DO NOT ENTER	R5-1	30"x30"	6.25	1

MODEL: R:\MODELS\AMEE
FILE NAME: D:\P\TAS\1000.dgn

SCHEDULES OF QUANTITIES

DESCRIPTION	FINAL PAINT PAVEMENT MARKING					
	YELLOW	WHITE				
	LINE 6"	LINE 6"	LINE 8"	LINE 12"	LINE 24"	CURB
	SOLID CENTERLINE (FOOT)	SOLID EDGE LINE (FOOT)	SOLID MEDIAN (FOOT)	SOLID DIAGONAL (FOOT)	SOLID STOP BAR (FOOT)	SOLID CURB (FOOT)
WEST INTERSECTION TO EAST END OF BRIDGE PARAPET	4736	4879				
WEST INTERSECTION PAINTED MEDIAN			115	51		40
WEST INTERSECTION STOP BAR					22	
TOTAL:		9615	115	51	22	40

MODEL: s43 (Sheet)
 FILE NAME: F:\proj\31089 - VV P1 H1 (2025-05) - AMES\WD_P1\Design\Sheet\B76T43-Sched.dgn

AMES Engineering, Inc.
 CONSULTING ENGINEERS
 6330 Belmont Road, Suite 4B
 Downers Grove, IL 60516

USER NAME = msomer	DESIGNED -	REVISED -
	DRAWN -	REVISED -
PLOT SCALE = 0.16666633' / in.	CHECKED -	REVISED -
PLOT DATE = 06/27/2024	DATE -	REVISED -

STATE OF ILLINOIS
DEPARTMENT OF TRANSPORTATION

SCHEDULES OF QUANTITIES
JOE PAGE BRIDGE

SCALE: SHEET OF SHEETS STA. TO STA.

F.A.U RTE.	SECTION	COUNTY	TOTAL SHEETS	SHEET NO.
1292	(531-2-HB)BR 23	GREENE	34	9
CONTRACT NO. 76T43				

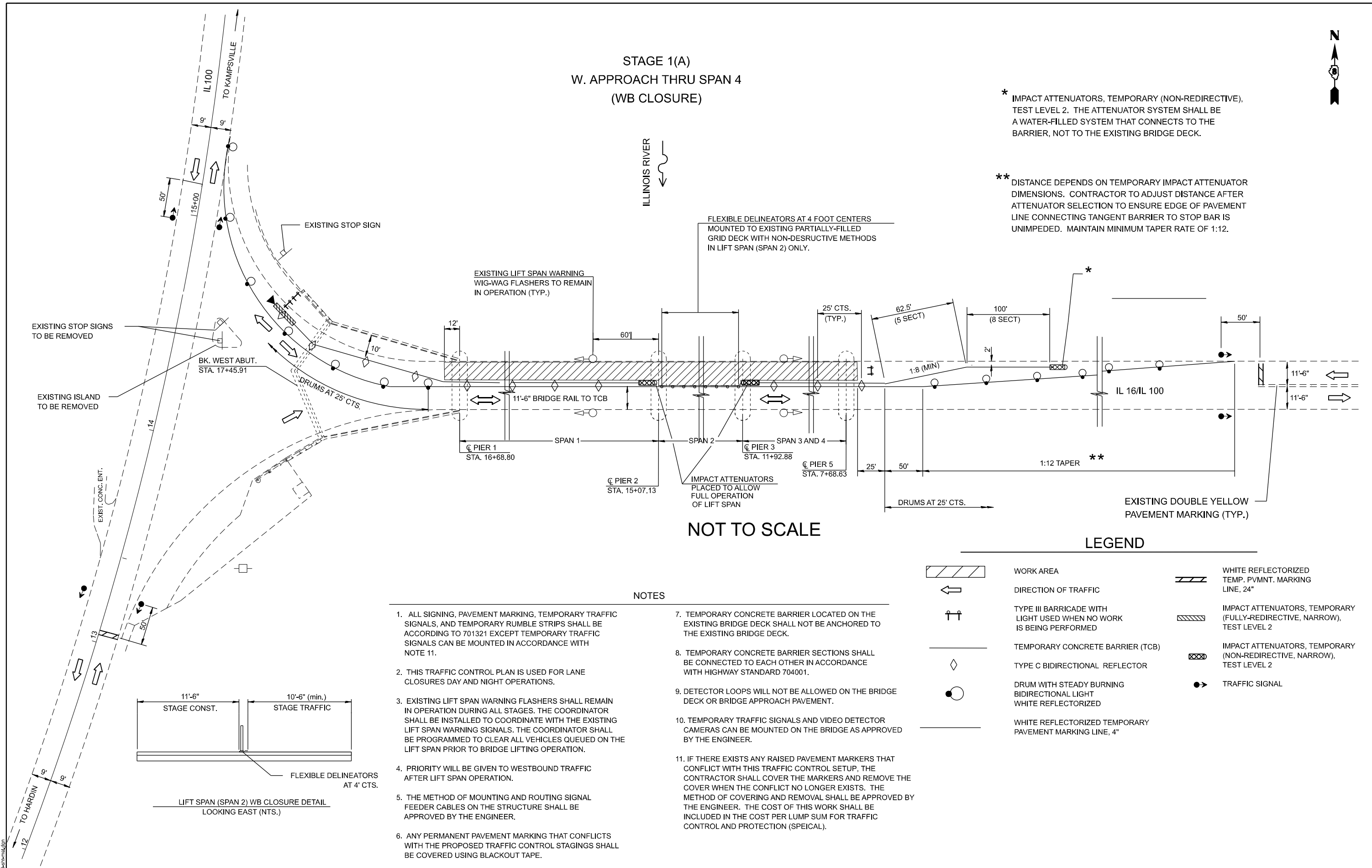
ILLINOIS FED. AID PROJECT
 Long Section Number

STAGE 1(A)
W. APPROACH THRU SPAN 4
(WB CLOSURE)



* IMPACT ATTENUATORS, TEMPORARY (NON-REDIRECTIVE), TEST LEVEL 2. THE ATTENUATOR SYSTEM SHALL BE A WATER-FILLED SYSTEM THAT CONNECTS TO THE BARRIER, NOT TO THE EXISTING BRIDGE DECK.

** DISTANCE DEPENDS ON TEMPORARY IMPACT ATTENUATOR DIMENSIONS. CONTRACTOR TO ADJUST DISTANCE AFTER ATTENUATOR SELECTION TO ENSURE EDGE OF PAVEMENT LINE CONNECTING TANGENT BARRIER TO STOP BAR IS UNIMPEDED. MAINTAIN MINIMUM TAPER RATE OF 1:12.



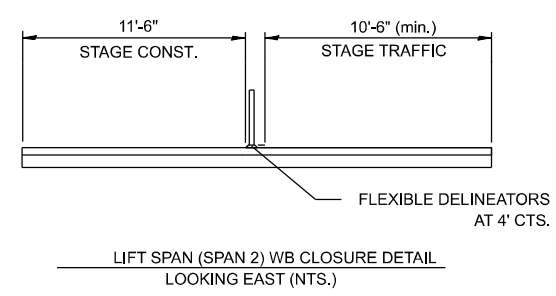
NOT TO SCALE

LEGEND

	WORK AREA		WHITE REFLECTORIZED TEMP. PVMNT. MARKING LINE, 24"
	DIRECTION OF TRAFFIC		IMPACT ATTENUATORS, TEMPORARY (FULLY-REDIRECTIVE, NARROW), TEST LEVEL 2
	TYPE III BARRICADE WITH LIGHT USED WHEN NO WORK IS BEING PERFORMED		IMPACT ATTENUATORS, TEMPORARY (NON-REDIRECTIVE, NARROW), TEST LEVEL 2
	TEMPORARY CONCRETE BARRIER (TCB)		TYPE C BIDIRECTIONAL REFLECTOR
	DRUM WITH STEADY BURNING BIDIRECTIONAL LIGHT WHITE REFLECTORIZED		TRAFFIC SIGNAL
	WHITE REFLECTORIZED TEMPORARY PAVEMENT MARKING LINE, 4"		

NOTES

- ALL SIGNING, PAVEMENT MARKING, TEMPORARY TRAFFIC SIGNALS, AND TEMPORARY RUMBLE STRIPS SHALL BE ACCORDING TO 701321 EXCEPT TEMPORARY TRAFFIC SIGNALS CAN BE MOUNTED IN ACCORDANCE WITH NOTE 11.
- THIS TRAFFIC CONTROL PLAN IS USED FOR LANE CLOSURES DAY AND NIGHT OPERATIONS.
- EXISTING LIFT SPAN WARNING FLASHERS SHALL REMAIN IN OPERATION DURING ALL STAGES. THE COORDINATOR SHALL BE INSTALLED TO COORDINATE WITH THE EXISTING LIFT SPAN WARNING SIGNALS. THE COORDINATOR SHALL BE PROGRAMMED TO CLEAR ALL VEHICLES QUEUED ON THE LIFT SPAN PRIOR TO BRIDGE LIFTING OPERATION.
- PRIORITY WILL BE GIVEN TO WESTBOUND TRAFFIC AFTER LIFT SPAN OPERATION.
- THE METHOD OF MOUNTING AND ROUTING SIGNAL FEEDER CABLES ON THE STRUCTURE SHALL BE APPROVED BY THE ENGINEER.
- ANY PERMANENT PAVEMENT MARKING THAT CONFLICTS WITH THE PROPOSED TRAFFIC CONTROL STAGINGS SHALL BE COVERED USING BLACKOUT TAPE.
- TEMPORARY CONCRETE BARRIER LOCATED ON THE EXISTING BRIDGE DECK SHALL NOT BE ANCHORED TO THE EXISTING BRIDGE DECK.
- TEMPORARY CONCRETE BARRIER SECTIONS SHALL BE CONNECTED TO EACH OTHER IN ACCORDANCE WITH HIGHWAY STANDARD 704001.
- DETECTOR LOOPS WILL NOT BE ALLOWED ON THE BRIDGE DECK OR BRIDGE APPROACH PAVEMENT.
- TEMPORARY TRAFFIC SIGNALS AND VIDEO DETECTOR CAMERAS CAN BE MOUNTED ON THE BRIDGE AS APPROVED BY THE ENGINEER.
- IF THERE EXISTS ANY RAISED PAVEMENT MARKERS THAT CONFLICT WITH THIS TRAFFIC CONTROL SETUP, THE CONTRACTOR SHALL COVER THE MARKERS AND REMOVE THE COVER WHEN THE CONFLICT NO LONGER EXISTS. THE METHOD OF COVERING AND REMOVAL SHALL BE APPROVED BY THE ENGINEER. THE COST OF THIS WORK SHALL BE INCLUDED IN THE COST PER LUMP SUM FOR TRAFFIC CONTROL AND PROTECTION (SPEICAL).



MODEL: R000144001
FILE NAME: D00144001.dwg

AMES Engineering, Inc.
CONSULTING ENGINEERS
6330 Belmont Road, Suite 4B
Downers Grove, IL 60516

USER NAME = msomer	DESIGNED -	REVISED -
PLOT SCALE = \$SCALE\$	DRAWN -	REVISED -
PLOT DATE = 08/26/2024	CHECKED -	REVISED -
	DATE -	REVISED -

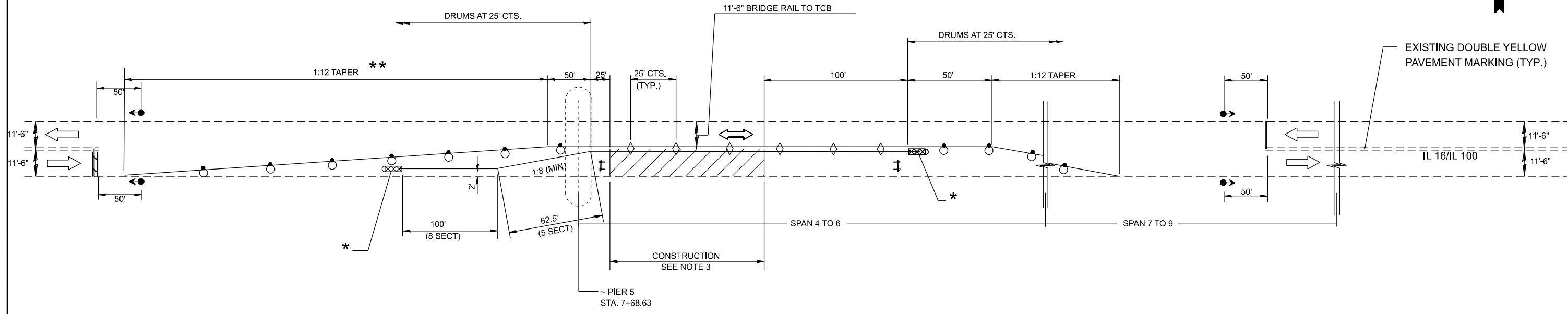
STATE OF ILLINOIS
DEPARTMENT OF TRANSPORTATION

SCALE:		SHEET	OF	SHEETS	STA.	TO	STA.
--------	--	-------	----	--------	------	----	------

STAGE 1(A)
JOE PAGE BRIDGE

F.A.U. RTE.	SECTION	COUNTY	TOTAL SHEETS	SHEET NO.
1292	(531-2-HB)BR 23	GREENE	35	10
CONTRACT NO. 76T43				
ILLINOIS FED. AID PROJECT				

STAGE 2(B)
TRAFFIC CONTROL FOR WORK IN SPAN 5-SPAN9
(EB CLOSURE)



NOT TO SCALE

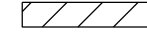
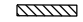
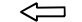










NOTES

1. ALL SIGNING, PAVEMENT MARKING, TEMPORARY TRAFFIC SIGNALS, AND TEMPORARY RUMBLE STRIPS SHALL BE ACCORDING TO 701321 EXCEPT TEMPORARY TRAFFIC SIGNALS CAN BE MOUNTED IN ACCORDANCE WITH NOTE 12.
2. THIS TRAFFIC CONTROL PLAN IS USED FOR LANE CLOSURES DAY AND NIGHT OPERATIONS.
3. THE CONSTRUCTION LENGTHS SHALL BE DETERMINED BY CONTRACTOR AND APPROVED BY THE ENGINEER. THIS SETUP MAY BE USED MULTIPLE TIMES AND FOR EITHER WB OR EB TRAFFIC.
4. EXISTING LIFT SPAN WARNING FLASHERS SHALL REMAIN IN OPERATION DURING ALL STAGES, THE COORDINATOR SHALL BE INSTALLED TO COORDINATE WITH THE EXISTING LIFT SPAN WARNING SIGNALS. THE COORDINATOR SHALL BE PROGRAMMED TO CLEAR ALL VEHICLES QUEUED ON THE LIFT SPAN PRIOR TO BRIDGE LIFTING OPERATION.
5. PRIORITY WILL BE GIVEN TO EASTBOUND TRAFFIC AFTER LIFT SPAN OPERATION.
6. THE METHOD OF MOUNTING AND ROUTING SIGNAL FEEDER CABLES ON THE STRUCTURE SHALL BE APPROVED BY THE ENGINEER.
7. ANY PERMANENT PAVEMENT MARKING THAT CONFLICTS WITH THE PROPOSED TRAFFIC CONTROL STAGINGS SHALL BE COVERED USING BLACKOUT TAPE.
9. TEMPORARY CONCRETE BARRIER SECTIONS SHALL BE CONNECTED TO EACH OTHER IN ACCORDANCE WITH HIGHWAY STANDARD 704001.
10. THIS LANE CLOSURE TRAFFIC CONTROL CANNOT BE USED IN CONJUNCTION WITH W. ABUTMENT THRU SPAN 4 TRAFFIC CONTROL SHOWN ELSEWHERE IN THESE PLANS.
11. DETECTOR LOOPS WILL NOT BE ALLOWED ON THE BRIDGE DECK OR BRIDGE APPROACH PAVEMENT.
12. TEMPORARY TRAFFIC SIGNALS AND VIDEO DETECTOR CAMERAS CAN BE MOUNTED ON THE BRIDGE AS APPROVED BY THE ENGINEER.
13. THIS LANE CLOSURE CAN BE USED ANYWHERE BETWEEN PIER 5 AND THE EAST END OF THE BRIDGE.
14. IF THERE EXISTS ANY RAISED PAVEMENT MARKERS THAT CONFLICT WITH THIS TRAFFIC CONTROL SETUP, THE CONTRACTOR SHALL COVER THE MARKERS AND REMOVE THE COVER WHEN THE CONFLICT NO LONGER EXISTS. THE METHOD OF COVERING AND REMOVAL SHALL BE APPROVED BY THE ENGINEER. THE COST OF THIS WORK SHALL BE INCLUDED IN THE COST PER LUMP SUM FOR TRAFFIC CONTROL AND PROTECTION (SPEICAL).
15. TEMPORARY CONCRETE BARRIER LOCATED ON THE BRIDGE DECK SHALL NOT BE ANCHORED TO THE EXISTING BRIDGE DECK.

* IMPACT ATTENUATORS, TEMPORARY (NON-REDIRECTIVE), TEST LEVEL 2. THE ATTENUATOR SYSTEM SHALL BE A WATER-FILLED SYSTEM THAT CONNECTS TO THE BARRIER, NOT TO THE EXISTING BRIDGE DECK.

** DISTANCE DEPENDS ON TEMPORARY IMPACT ATTENUATOR DIMENSIONS. CONTRACTOR TO ADJUST DISTANCE AFTER ATTENUATOR SELECTION TO ENSURE EDGE OF PAVEMENT LINE CONNECTING TANGENT BARRIER TO STOP BAR IS UNIMPEDED. MAINTAIN MINIMUM TAPER RATE OF 1:12.

LEGEND

	WORK AREA		WHITE REFLECTORIZED TEMP. PVMNT. MARKING LINE, 24"
	DIRECTION OF TRAFFIC		IMPACT ATTENUATORS, RELOCATE (FULLY-REDIRECTIVE, NARROW), TEST LEVEL 2
	TYPE III BARRICADE WITH LIGHT USED WHEN NO WORK IS BEING PERFORMED		IMPACT ATTENUATORS, RELOCATE (NON-REDIRECTIVE, NARROW), TEST LEVEL 2
	TEMPORARY CONCRETE BARRIER (TCB)		TYPE C BIDIRECTIONAL REFLECTOR
	TYPE C BIDIRECTIONAL REFLECTOR		DRUM WITH STEADY BURNING BIDIRECTIONAL LIGHT WHITE REFLECTORIZED
	DRUM WITH STEADY BURNING BIDIRECTIONAL LIGHT WHITE REFLECTORIZED		TRAFFIC SIGNAL
	WHITE REFLECTORIZED TEMPORARY PAVEMENT MARKING LINE, 4"		

MODEL: n143 (Sheet) FILE NAME: F:\Projects\1089 - VY P1 H1 (2025-05) - AMES\W04_P1\Design\Sheet\0701-EB-Closure.dgn

AMES Engineering, Inc.
CONSULTING ENGINEERS
6330 Belmont Road, Suite 4B
Downers Grove, IL 60516

USER NAME = msomer	DESIGNED -	REVISED -
PLOT SCALE = 0.16666833' / in.	DRAWN -	REVISED -
PLOT DATE = 06/27/2024	CHECKED -	REVISED -
	DATE -	REVISED -

STATE OF ILLINOIS
DEPARTMENT OF TRANSPORTATION

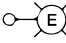

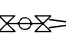
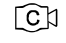


STAGE 2(B)
JOE PAGE BRIDGE

SCALE:	SHEET	OF	SHEETS	STA.	TO	STA.
--------	-------	----	--------	------	----	------

F.A.U. RTE.	SECTION	COUNTY	TOTAL SHEETS	SHEET NO.
1292	(531-2-HB)BR 23	GREENE	34	14
CONTRACT NO. 76T43				

ILLINOIS FED. AID PROJECT Long Section Number

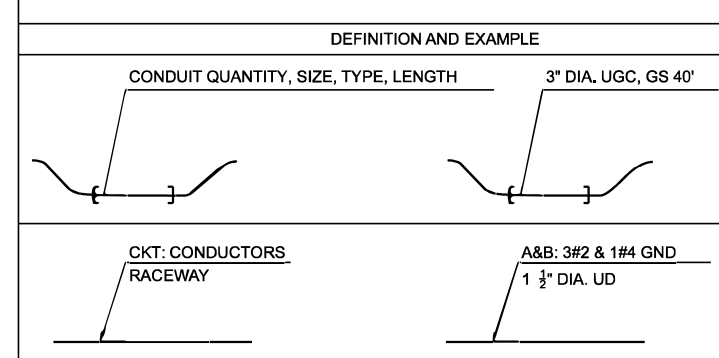
LEGEND

SYMBOL	DESCRIPTION
- - - - -	EXISTING CABLE IN CONDUIT TO REMAIN
—A—	EXISTING AERIAL CABLE
	EXISTING LIGHTING UNIT TO REMAIN
	EXISTING NAVIGATIONAL LIGHTING UNIT TO REMAIN
	EXISTING WARNING/BARRIER GATE TO REMAIN
	EXISTING CCTV TO REMAIN
	EXISTING TRAFFIC SIGNAL TO REMAIN
	EXISTING JUNCTION BOX TO REMAIN

ABBREVIATIONS

ABBREVIATION	DESCRIPTION
AC	ALTERNATING CURRENT
A/C	AERIAL CABLE
ATS	ATTACHED TO STRUCTURE
B.O.C.	BACK OF CURB
CB	CIRCUIT BREAKER
CKT	CIRCUIT
CM	CENTIMETER
COMED	COMMONWEALTH EDISON COMPANY
CP	CONTROL PANEL
CT	CURRENT TRANSFORMER
DA	DAVIT ARM
DC	DIRECT CURRENT
DIA	DIAMETER
DP	DISTRIBUTION PANEL
E	EXISTING UNIT TO REMAIN
EX.	EXISTING
ECA	ELECTRIC CABLE ASSEMBLY
EIS	EMBEDDED IN STRUCTURE
E.O.P.	EDGE OF PAVEMENT
F.O.C.	FACE OF CURB
FT	FEET OR FOOT
FU	FUSE
GND	GROUND
HID	HIGH INTENSITY DISCHARGE
JB	JUNCTION BOX
KVA	KILOVOLT-AMPERE
KW	KILOWATTS
LED	LIGHT EMITTING DIODE
LP	LIGHT POLE
M	METER
MA	MAST ARM
MC	MULTI-CONDUCTOR
MM	MILLIMETER
M.H.	MOUNTING HEIGHT
MW	MESSANGER WIRE
NESC	NATIONAL ELECTRIC SAFETY CODE
NO. #	NUMBER
N.T.S.	NOT TO SCALE
P	PROPOSED
PB	PUSH BUTTON
PNL	PANEL
PVC	POLYVINYL CHLORIDE
PVCC RGC	PVC COATED RIGID GALVANIZED CONDUIT
PT	POTENTIAL TRANSFORMER
R	EXISTING UNIT TO BE REMOVED (OWNER SALVAGED U.N.O.)
RR	EXISTING UNIT TO BE REMOVED AND REINSTALLED
RECP	RECEPTACLE
RGC	RIGID GALVANIZED CONDUIT
SEL SW	SELECTOR SWITCH
SPARE	SPARE
SPACE	SPACE
SS	STAINLESS STEEL
STA	STATION
T/F	TOP OF FOUNDATION
UD	UNIT DUCT
U.N.O.	UNLESS NOTED OTHERWISE
UGC, GS	UNDERGROUND CONDUIT, GALVANIZED STEEL
VAC	VOLTS, ALTERNATING CURRENT
W	WATTS
WP	WOOD POLE
XFMR	TRANSFORMER
HPS	HIGH PRESSURE SODIUM
LPS	LOW PRESSURE SODIUM
LTFM	LIQUID TIGHT FLEXIBLE METALLIC

CALL-OUT SAMPLE



GENERAL NOTES

1. THE ELECTRICAL WORK SHALL BE PERFORMED IN ACCORDANCE WITH THE LATEST CODES, STANDARDS AND THE IDOT STANDARD SPECIFICATIONS FOR ROAD AND BRIDGE CONSTRUCTION, AND SUPPLEMENTAL SPECIFICATIONS AND RECURRING SPECIAL PROVISIONS.
2. THE SCOPE OF WORK OUTLINED IN THE PLANS CONSIST OF THE REMOVAL AND INSTALLATION OF CONDUITS AND ELECTRICAL CABLES FOR THE SPECIFIED EQUIPMENT LISTED BELOW. THE CONTRACTOR IS OBLIGATED TO ENSURE THAT ALL EQUIPMENT REMAINS IN SATISFACTORY OPERATING CONDITION THROUGHOUT AND AFTER THE CONSTRUCTION PERIOD. THE REMOVAL ACTIVITIES AT THE BRIDGE MUST ADHERE TO ALL REQUIREMENTS GOVERNING THE SEQUENCING AND SCHEDULING OF CONSTRUCTION. IT IS IMPERATIVE THAT ALL EXISTING FACILITIES, APPARATUS, CABLES, WIRING, AND OTHER EQUIPMENT SLATED TO REMAIN IN PLACE ON THE BRIDGE ARE SAFEGUARDED AT ALL TIMES FROM ANY POTENTIAL DAMAGE RESULTING FROM THE CONTRACTOR'S OPERATIONS. IN THE EVENT OF ANY SUCH DAMAGE, COMPREHENSIVE REPAIRS MUST BE UNDERTAKEN, ENSURING SATISFACTION WITH THE ENGINEER AT NO ADDITIONAL COST. SHOULD THE ENGINEER DETERMINE THAT THE CONTRACTOR'S OPERATIONS NECESSITATE THE TEMPORARY REMOVAL OF EXISTING EQUIPMENT FOR PROPER PROTECTION, SUCH REMOVAL AND SUBSEQUENT REMOUNTING SHALL BE CARRIED OUT WITHOUT INCURRING EXTRA COSTS.

- CCTV CAMERA
- TRAFFIC GATE
- TRAFFIC SIGNAL
- ROADWAY LIGHTING
- NAVIGATIONAL LIGHTING

INDEX OF DRAWINGS

DRAWING NO.	TITLE
16	LEGEND, ABBREVIATIONS, GENERAL NOTES, SOQ, AND INDEX OF DRAWINGS
LT-02 TO LT-05	JOE PAGE BRIDGE ELECTRICAL EQUIPMENT SCHEDULE
LT-06 TO LT-07	JOE PAGE BRIDGE ELECTRIC CABLE AND CONDUIT SCHEDULE
23	JOE PAGE BRIDGE PANELBOARD SCHEDULES
24	JOE PAGE BRIDGE PLAN VIEW
25	JOE PAGE BRIDGE TYPICAL CONDUIT CROSS SECTIONS
LT-11 TO LT-14	JOE PAGE BRIDGE WIRING DIAGRAM FROM CONTRACT 76281
LT-15 TO LT-20	JOE PAGE BRIDGE DETAILS FROM CONTRACT 76281

REV - MS

MODEL: D:\ahh\... FILE NAME: J1222958.03104_CADD\CADD_Sheets\76281-15-16-17-18-19-20.dgn



USER NAME = vnunez	DESIGNED - MG	REVISED -
PLOT SCALE = 2.0000' / 1 in.	DRAWN - VN/NG	REVISED -
PLOT DATE = 7/1/2024	CHECKED - RP	REVISED -
	DATE - 7/1/2024	REVISED -

**STATE OF ILLINOIS
DEPARTMENT OF TRANSPORTATION**

**JOE PAGE BRIDGE
CABLE LEGEND, GENERAL NOTES, AND SOQ**

SCALE: SHEET OF SHEETS STA. TO STA.

F.A.U. RTE.	SECTION	COUNTY	TOTAL SHEETS	SHEET NO.
1292	(531-2+HB)BR 23	GREENE	35	16
CONTRACT NO. 76T43				
ILLINOIS FED. AID PROJECT				

GROUP 100 EQUIPMENT					
PIECE NUMBER	QUANTITY	NAME	MANUFACTURER	TYPE - MODEL	RATING AND DESCRIPTION
E101	1	Panelboard DP	Square D	I-Line	Surface mount panelboard suitable for 480Y/277V. 3 phase, 4 wire service. NEMA 12 enclosure, sized and configured as indicated.
E102	1	Panelboard A	Square D	NQOD	Surface mount panelboard suitable for 208Y/120V. 3 phase, 4 wire service. NEMA 12 enclosure, sized and configured as indicated.
E103	1	Panelboard B	Square D	QO	Flush mount panelboard suitable for 208Y/120V. 3 phase, 4 wire service. NEMA 12 enclosure, sized and configured as indicated.
E104	1	Transformer A	ACME Electric	Opti-miser	U.L. Listed, general purpose. 3 phase dry-type transformer. 480V delta primary. 208Y/120V secondary, sized as indicated. 115 degree full load temperature rise. NEMA 3R enclosure.
E105	UNASSIGNED	-	-	-	-
E106	2	Safety Switch	Square D	Class 3110	U.L. Listed, heavy duty. 600V. 3 Pole safety switch sized as indicated or as appropriate for equipment served. NEMA 4X stainless steel enclosure
E107	2	Cut-out Contactors	Square D	Type S	U.L. Listed, heavy duty. 600V, 30A, 3 pole, NEMA type mechanically held, nonfusible switch type combination lighting contactor. NEMA 12 enclosure with "On-Off-Auto" selector switch mounted on door. Control shall be configured as indicated on the plans. Shall include a minimum of 1 normally-open and 1 normally-closed spare auxillary contacts.
E108	2	Aerial Cable Cabinets	Hoffman	Floor Mount Stainless Steel	Heavy duty, floor mount, two door, NEMA type 4X stainless steel enclosure. Enclosure size 74" h x 72" w x 12" d. Shall include internal mounting panel and flanges for attaching rear bracing as indicated.
E109	1	Enginer Generator	Cummins	60DGCB	U.L. Listed, 75 KVA standby, 69 KVA prime, 480Y/277V 3 phase, 4 wire diesel generator set. Shall be configured for remote radiator and fuel source. Shall include 105°C rise alternator, main circuit breaker, battery and charger, remote annunciator panel, spring isolators, and control as described in the special provisions
E110	1	Automatic Transfer Switch	Russelectric	RMT	U.L. Listed, 480V, 3 pole transfer switch, sized as indicated. Shall include NEMA 12 enclosure, external manual operator, and microprocessor based control package.
E111	1	Generator Fuel Tank	Highland Tank	Fireguard	U.L. Listed, 300 gallon, double walled, cylidrical, above ground fuel tank. Shall include level gauge and all necessary mounting and fuel line connection hardware.
E112	1	Generator Remote Radiator	-	-	Remote radiator compatible with engine generator, sized per generator recommendations. Shall include corrosion resistant finish, fan powered from generator mains, and all necessary hardware.

GROUP 200 EQUIPMENT					
PIECE NUMBER	QUANTITY	NAME	MANUFACTURER	TYPE - MODEL	RATING AND DESCRIPTION
E201	1	Main Flux Vector Drive System	Drivecon	VF61C	True flux vector AC motor drive system rated 160 KVA at 460V. 3 phase and configured as indicated. Complete system shall include drive, line and load reactors, circuit breakers, output contactor, regenerative braking module, and related components. See special provisions for system component requirements.
E202	1	Main drive motor	Rueland	Vector Duty	Vector duty AC motor rated 100 HP, 460V, 3 phase, 680 RPM, 1.0 SF, 60 minute duty, TENV.
E203	1	Main motor encoder	Northstar	Rim Tach 8500 Quad	Mill duty, incremental, dual channel, quadrature type encoder proiding two electrically isolated signals, shall be mounted on the main drive motor by the motor manufacturer.
E204	1	Electronic speed switch	Northstar	DS-11	Programmable electronic RPM display and monitoring unit with LCF display and alarm capabilities, compatible with the main motor encoder.
E205	1	Main drive cabinet	Hoffman	Free standing industrial	Heavy duty, free standing, single door, NEMA type 12 enclosure with cut-out for flange mounted disconnect. Enclosure size 90" H x 40" W x 18" D. Shall include internal mounting panel
E206	1	Emergency flux vector drive system	Drivecon	VF61C	True flux vector AC motor drive system rated at 20 HP at 460V. 3 phase and configured as indicated. Complete system shall include drive, line and load reactors, molded case disonnect switch, output contactor, dynamic braking module, braking resistors, and related components. See special provisions for system component requirements.
E207	1	Emergency drive motor	Marathon	Vector Duty	Vector duty, AC motor rated 20 HP, 460V, 3 phase, 1765 RPM, 1.0 SF, 60 minute duty, TENV, with built-in brake.
E208	1	Emergency drive cabinet	Hoffman	Free standing industrial	Heavy duty, wall mounted, single door, NEMA type 12 enclosure with cut-out for flange mounted disconnect. Enclosure size 48" H x 38" W x 16" D. Shall include internal mounting panel.
E209	1	Rotary cam limit switch	Gemco	1980R	Six circuit rotary cam limit switch with built in resolver. NEMA 12 enclosure
E210	1	Resolver transducer	Gemco	Series 2120	Stand alone, programmable, resolver encoder module compatible with the rotary cam limit switch built-in resolver. Shall provide a 4-20mA DC output signal proportional to the position input of the resolver.
E211	4	Span position limit switch	Namco	EA780	Heavy duty, harsh environment/marine, lever arm limit switch with 2 N.O and 2 N.C. contacts. Include 4 inch stainless steel lever and 1/4 nylon roller.
E212	1	Bus monitor	Square D	8430MPVD29	480V, 3 phase, voltage sensing phase failure relay.

FOR INFORMATION ONLY

MODEL: D:\info\... FILE NAME: J:\22298\0304_CADD\CADD_Sheets\76743_Electrical\202.dgn



USER NAME = vnunez	DESIGNED - MG	REVISED -
DRAWN - VN/NG	REVISIONS -	
PLOT SCALE = 2,0000' / 1" =	CHECKED - RP	REVISED -
PLOT DATE = 7/1/2024	DATE - 7/1/2024	REVISED -

STATE OF ILLINOIS
DEPARTMENT OF TRANSPORTATION

JOE PAGE BRIDGE
ELECTRICAL EQUIPMENT SCHEDULE

SCALE: SHEET OF SHEETS STA. TO STA.

F.A. U. RTE.	SECTION	COUNTY	TOTAL SHEETS	SHEET NO.
1292	(531-2-HB)BR 23	GREENE	35	17
CONTRACT NO. 76743				
ILLINOIS FED. AID PROJECT				

GROUP 200 EQUIPMENT					
PIECE NUMBER	QUANTITY	NAME	MANUFACTURER	TYPE - MODEL	RATING AND DESCRIPTION
E213	1	Power monitor	Electro Industries	Futuro	3 phase, multi-function power monitor with central transducer module and remote displays. Monitor shall include two displays as indicated on the plans, and include all circuits and other hardware necessary to allow monitoring of the incoming power feeders
E214	As Required	Industrial control relay	Square D	Type X	U.L. Listed, heavy duty, NEMA type control relay with field-reversible rated minimum 10A at 300V AC. 120V AC coil. Number of poles as necessary, plus one spare
E215	As Required	Industrial timing relay	AGASTAT	Series 7000	U.L. Listed, heavy duty, electropneumatic timing relay with field-reversible contacts rated minimum 20A at 120V AC. 120V AC coil. Number of poles as necessary, plus one spare
E216	1	Programmable relay	IDEC	FLIA-H10RCB	Programmable relay with 6, 120V AC capable inputs and 4 relay outputs rate 10A at 120V, shall include integral LCD display and removable program memory cartridge
E217	4	Bypass counter	Cutler-Hammer Durant	Miniature Electric	Six digit, non-resettable, panel mount electromechanical counter with 120V AC coil.
E218	1	Relay cabinet	Hoffman	Free standing industrial	Heavy duty, free standing, two door, NEMA type 12 enclosure. Enclosure size 90"H x 72" W x 20" D. Shall include internal mounting panel.
E219	2	Full-voltage non-reversing starter	Square D	Type S	U.L. Listed, heavy duty, 600V, 3 pole, NEMA type full-voltage non-reversing magnetic started, sized as indicated, with melting alloy type overload relays, shall include a minimum of 1 normally-open and 1 normally-closed spare auxiliary contacts.
E220	12	Full-voltage reversing starter	Square D	Type S	U.L. Listed, heavy duty, 600V, 3 pole, NEMA type full-voltage reversing magnetic started, sized as indicated, with melting alloy type overload relays, shall include a minimum of 1 normally-open and 1 normally-closed spare auxiliary contacts.
E221	14	Motor branch circuit breaker	Square D	F Frame	U.L. Listed, heavy duty, 600V, 3 pole, unit mount thermal-magnetic molded case circuit breaker, size as indicated. Shall include a minimum of 1 normally-open and 1 normally-closed auxiliary contacts.
E222	3	Molded case disconnect switch	Square D	Molded Case Switch	U.L. Listed, heavy duty, 600V, 3 pole, unit mount molded case circuit breaker, size as indicated. Shall include a minimum of 1 normally-open and 1 normally-closed auxiliary contacts.
E223	1	Motor starter cabinet	Hoffman	Free standing industrial	Heavy duty, free standing, two door, NEMA type 12 enclosure with cut-out for flange mounted disconnect. Enclosure size 90"H x 66"W x 18"D. Shall include internal mounting panel
E224	1	Emergency drive clutch limit switch	Allen-Bradley	802T	Heavy duty lever arm limit switch with 2 N.O. and 2 N.C contacts. Include adjustable lever and 1/2" nylon roller

GROUP 300 EQUIPMENT					
PIECE NUMBER	QUANTITY	NAME	MANUFACTURER	TYPE - MODEL	RATING AND DESCRIPTION
E301	2	Span navigation light	B & B Electromatic	CC7306	Heavy duty, 120 Vac incandescent swivel suspension bridge light with 200MM I.D., 180° red and 360° green, fresnel type lenses, dual-lamp arrangement, and lamp out transfer relay. Shall include all hardware necessary for mounting as indicated.
E302	8	Navigation light lamp out relay	B & B Electromatic	K1	Lamp out transfer relay for replacement of existing transfer relays on pier and fender navigation lights. Shall be housed in a watertight enclosure for mounting to the existing navigation light fixtures.
E303	10	Single pole light switch	Hubbell	HBL1221	Heavy duty specification grade, 120-277V, 20A, single pole toggle switch suitable for use in industrial environments.
E304	10	Three way light switch	Hubbell	HBL1223	Heavy duty specification grade, 120-277V, 20A, three-way toggle switch suitable for use in industrial environments.
E305	4	Four way light switch	Hubbell	HBL1224	Heavy duty specification grade, 120-277V, 20A, four-way toggle switch suitable for use in industrial environments.
E306	37	Vaporlight luminaire	Course Hinds	V Series	Vaportight incandescent luminaire suitable for use in marine environments with 120V, 100W, vibration resistant lamp, shall include glass globe, guard, fixture body, and hardware necessary for mounting as indicated.
E307	10	Span walkway lighting luminaire	Lithonia	TDL	70 Watt high pressure sodium dusk-to-dawn type light with magnetic regulator 120V ballast.
E308	6	Duplex Receptacle	Hubbell	HBL5362	Heavy duty, specification grade duplex receptacle, NEMA 5-20R configuration.
E309	8	GFCI Duplex receptacle	Hubbell	GF5362	Heavy duty, specification grade, ground fault circuit interrupt duplex receptacle, NEMA 5-20R configuration.
E310	1	Machinery room intake louver	Construction Specialties	36" x 36"	Heavy duty, motor operated, aluminum louver with vinyl gasketed blades and removable insect screen and rain hood. Operation to coincide with exhaust fan operation.
E311	1	Machinery room exhaust fan	Chelsea	INDA	24 inch, 3/4 hp. 120V, 2 speed, low pressure, belt driven exhaust fan, 5885 CFM at 1/4 inch static pressure. Shall include thermostat with "Hand-Off-Auto" switch, epoxy coated automatic wall shutters, rear guard, wall collar, and 90° turn-down weather hood. Control shall be configured to operate simultaneously with generator operation.

FOR INFORMATION ONLY

MODEL: D:\h1\h1
FILE NAME: J:\22298\0304_CADD\CADD_Sheets\76743_45.dwg



USER NAME = vnunez	DESIGNED - MG	REVISED -
PLOT SCALE = 2,0000"/1 in.	DRAWN - VN/NG	REVISED -
PLOT DATE = 7/1/2024	CHECKED - RP	REVISED -
	DATE - 7/1/2024	REVISED -

STATE OF ILLINOIS
DEPARTMENT OF TRANSPORTATION

JOE PAGE BRIDGE
ELECTRICAL EQUIPMENT SCHEDULE

SCALE: SHEET OF SHEETS STA. TO STA.

F.A.U. RTE.	SECTION	COUNTY	TOTAL SHEETS	SHEET NO.
1292	(531-2-HB)BR 23	GREENE	35	18
CONTRACT NO. 76743				
ILLINOIS FED. AID PROJECT				

GROUP 300 EQUIPMENT					
PIECE NUMBER	QUANTITY	NAME	MANUFACTURER	TYPE - MODEL	RATING AND DESCRIPTION
E312	17	Roadway lighting luminaire	General Electric	Model M-250A2	100 Watt high pressure sodium roadway luminaire. Shall have cut-off lighting distribution, IES type medium cut-off type III (M-C-III). Shall die-cast aluminum housing with flat glass lens and filtered optics. Ballast shall be magnetic regulator type suitable for 277V operation and mounted on easily removable door. Shall include 100W clear high pressure sodium lamp, vibration resistant mogul type porcelain socket. 5A slow-blow fuses, ANSI identification label, all necessary mounting brackets and hardware. Fixture shall comply with vibration requirements of ANSI C136.31 3G's peak acceleration.
E313	1	Roadway lighting contactor	Square D	Type S	U.L. Listed, heavy duty, 600V, 30A, 3 pole electrically held, nonfusible switch type combination lighting contactor, NEMA 12 enclosure, with "Lights On" pilot light mounted on door. Shall be configured for remote photocell control with Han-Off-Auto switch. Shall include a minimum of 1 normally open and 1 normally-closed spare auxiliary contacts.
E314	1	Roadway lighting photocell	Tork	2107	Photoelectric controller with 1" epoxy coated cadmium sulphide photocell. Gasketed, die-cast zinc enclosure.
E315	2	Tower lighting contactor	Square D	Type S	U.L. listed, heavy duty, 600V, 3 pole, electrically held, nonfusible switch type combination lighting contractor. NEMA 12 enclosure. Shall include a minimum of 1 normally-open and 1 normally-closed spare auxiliary contacts.
E316	As required	Flexible metal conduit	Liquaite	Type LA-LOR	U.L. Listed, flexible metal conduit, spiral wound hot-dop galvanized steel strip. Liquid-tight pvc jacket shall be oil and sunlight resistant. All fittings and couplings shall be lighd-tight, designed for use with flexible metal conduit.
E317	1	Emergency light	Lithonia lighting	ELU4X	Shall be factory assembled with (2) 8 watt sealed beam halogen lamps. Enclosure shall be listed NEMA 4X. Batteries shall be maintenance free lead calcium.

GROUP 400 EQUIPMENT					
PIECE NUMBER	QUANTITY	NAME	MANUFACTURER	TYPE - MODEL	RATING AND DESCRIPTION
E401	6	Traffic warning Gate	B & B Electromatic	VT-40	Vertical (Open) to horizontal (Closed) motor driven warning gate with dimensions as indicated on the plans. Shall include fiberglass and aluminum arm, arm mounted warning lights, 2 complete spare gate arms.
E402	3	Warning gong	B & B Electromatic	Z-555	Heavy duty motor driven 12" warning gong mounted on indicated traffic warning gates by gate manufacturer
E403	6*	Traffic barrier gate	B & B Electromatic	VT-6801	Vertical (Open) to horizontal (Closed) motor driven resistance barrier gate with dimensions as indicated on the plans. Shall include energy absorbing arm with end locks and arm mounted warning lights.
E404	6	Traffic Signals	Eagle Traffic Control Systems	Aluminum Vehicle Traffic Signal	Three section (Green, Yellow, Red) 12" traffic signal with cut-away visors. Black finish. Shall include heavy duty, vibration resistant 100 WATT, 120V AC incandescent lamps and all hardware necessary for mounting as indicated on the plans.
			Elliott Equipment Corporation	Barlo Strobe	12" Cut-away traffic signal visor with built in 60 flash per minute strobe Black finish. Shall include strobe power supply, discharge/disconnect option, and all necessary mounting hardware.
E405	6	"Drawbridge Ahead" sign beacon	Eagle Traffic Control Systems	Aluminum Vehicle Traffic Signal	Single section (Yellow) 12" traffic signal with cut-away visor. Yellow finish. Shall include heavy duty vibration resistant 100 Watt, 120V AC incandescent lamp and all hardware necessary for mounting as indicated on the plans.
E406	3	Warning beacon flasher	PELCO Products	SM-0179	Solid state, 2 circuit, 15A, NEMA flasher. Shall include 15A circuit breaker, disconnect switch, lighting arrestor, stainless steel enclosure, and all necessary hardware.

*Quantity shown includes 2 required spares

FOR INFORMATION ONLY

MODEL Path: J:\22298\0304_CADD\CADD_Sheets\76743\Electrical\400.dgn
FILE NAME: J:\22298\0304_CADD\CADD_Sheets\76743\Electrical\400.dgn



USER NAME = vnunez	DESIGNED - MG	REVISED -
	DRAWN - VN/NG	REVISED -
PLOT SCALE = 2,000' = 1" IN.	CHECKED - RP	REVISED -
PLOT DATE = 7/1/2024	DATE - 7/1/2024	REVISED -

STATE OF ILLINOIS
DEPARTMENT OF TRANSPORTATION

JOE PAGE BRIDGE
ELECTRICAL EQUIPMENT SCHEDULE

SCALE: SHEET OF SHEETS STA. TO STA.

F.A.U. RTE.	SECTION	COUNTY	TOTAL SHEETS	SHEET NO.
1292	(531-2-HB)BR 23	GREENE	35	19
CONTRACT NO. 76743				
ILLINOIS FED. AID PROJECT				

GROUP 500 EQUIPMENT					
PIECE NUMBER	QUANTITY	NAME	MANUFACTURER	TYPE - MODEL	RATING AND DESCRIPTION
E501	8	CCTV Camera	Vicon	VC2430A-24	High resolution monochrome 1/3 inch format camera with overall resolution of 580 (H) x 350 (V) TV lines. EIA/NTSC video output.
E502	8	Fixed camera lens	Vicon	ES-CS Series	Fixed focal length CCTV camera lens with automatic iris, compatible with VC2430A-24 camera. Field of view as indicated on the plans.
E503	8	Camera enclosure	Vicon	V9317HC-SHB	Heavy duty, weatherproof, outdoor camera enclosure. Shall include thermostat controlled blower and heater, sun shield, tamperproof locks, 8 position terminal strip, and 24 VAC power supply.
E504	3	Camera mounting arm	Vicon	V24WM	Heavy duty, 24 inch long outdoor wall mounting arm constructed of corrosion protected steel with a load rating of 200 lbs.
E505	8	Adjustable head	Vicon	V30AH	Heavy duty adjustable head capable of 360° of rotation of 60° of tilt, suitable for outdoor use and compatible with the V24MM mount and V9317HC-SHB enclosure, and constructed of corrosion protected steel with a load rating of 200 lbs.
E506	5	Fiber optic CCTV transmitter	Vicon	V2711T-1	Fiber optic video transmitter compatible with the VC2430A-24 camera and V2712R-1 receiver, and having a maximum signal attenuation of 10 DB when used with 62.5 UM optical cable.
E507	5	Fiber optic CCTV receiver	Vicon	V2712R-1	Fiber optic video receiver compatible with the VC2430A-24 camera and V2711T-1 transmitter, and having a maximum signal attenuation of 10DB when used with 62.5 UM optical cable. Shall include mounting rack and power supply.
E508	1	Nine camera CCTV multiplexer	Vicon	V5900MUX	Nine camerae real-time multiplexer with time/date/tilting, looping video outputs, and remote control provisions
E509	2	Four camera CCTV multiplexer	Vicon	V5400MUX	Four camerae real-time multiplexer with time/date/tilting, looping video outputs, and remote control provisions
E510	4	CCTV Monitor	Vicon	VM5123	12" Monochrome CCTV video monitor capable of at least 800 (H) TV lines. 75 ohm coaxial (BNC) input.
E511	4	Montior mount	Vicon	V1600MM	Heavy duty monitor mount designed for use with and for the VM5123 monitor. Shall include ceiling mounting adapter.
				V1502CA	
E512	1	Marine radio	Icom	IC-M127	VHF Marine radio capable of operating on all U.S. marine channels with selctable 1 or 25
	1	Power supply		PS-60	
E513	1	Marine radio antenna	Shakespeare	Style 5400	Heavy duty, single section, half-wave marine VHF antenna with 3 DB gain, rated for 50 watts maximum input. Constructed of copper and brass elements in a stainless steel sleeve. Shall include all necessary mounting hardware
E514	2	Marine handheld radio	Icom	IC-M15	Waterproof VHF maine handheld radio capable of operating on all U.S. marine channels with selectable 0.7 or 5 watts transmitter power. Shall also be capable of receiving N.O.A.A. weather radio channels. Shall include rapid desk charger.

FOR INFORMATION ONLY

MODEL: D:\p1\h\h\h\h\h\CADD\CADD_Sheets\76T43_500\h\h\h\h\h.dgn



USER NAME = vnunez
 PLOT SCALE = 2,0000"=1' IN.
 PLOT DATE = 7/1/2024

DESIGNED - MG
 DRAWN - VN/NG
 CHECKED - RP
 DATE - 7/1/2024

REVISED -
 REVISED -
 REVISED -
 REVISED -

STATE OF ILLINOIS
 DEPARTMENT OF TRANSPORTATION

JOE PAGE BRIDGE
 ELECTRICAL EQUIPMENT SCHEDULE

SCALE: SHEET OF SHEETS STA. TO STA.

F.A.U. RTE.	SECTION	COUNTY	TOTAL SHEETS	SHEET NO.
1292	(531-2-HB)BR 23	GREENE	35	20
CONTRACT NO. 76T43				
ILLINOIS FED. AID PROJECT				

Wiring and Conduit Schedule					
Run No.	Conduit (Inches) or Cable	Serving	Circuit Conductors	Equipment Grounding Conductor	Description of Work Needed
1	4	Bridge feeder	(4) 500 MCM	2 AWG	No Work Needed
2	3/4	West "Drawbridge Ahead" signs	(2) 10 AWG	10 AWG	REMOVE CABLE AND CONDUIT INSTALL CABLE AND CONDUIT
3	1	Northwest traffic barrier - control (See note 2)	(14) 12 AWG	12 AWG	REMOVE CABLE AND CONDUIT INSTALL CABLE AND CONDUIT
4	1	Southwest traffic barrier - control (See note 2)	(14) 12 AWG	12 AWG	REMOVE CABLE AND CONDUIT INSTALL CABLE AND CONDUIT
5	3/4	Southwest traffic barrier - power	(3) 10 AWG	10 AWG	REMOVE CABLE AND CONDUIT INSTALL CABLE AND CONDUIT
		Southwest traffic barrier - heat, receptacle, service light and flasher	(6) 10 AWG		
6	3/4	Northwest traffic barrier - power	(3) 10 AWG	10 AWG	REMOVE CABLE AND CONDUIT INSTALL CABLE AND CONDUIT
		Northwest traffic barrier - heat, receptacle, service light and flasher	(6) 10 AWG		
7	3/4	West traffic signals	(4) 10 AWG	10 AWG	REMOVE CABLE AND CONDUIT INSTALL CABLE AND CONDUIT
		West "Drawbridge Ahead" signs	(2) 10 AWG		
8	2 1/2	West traffic barriers - control (See note 2)	(28) 12 AWG	12 AWG	REMOVE CABLE AND CONDUIT INSTALL CABLE AND CONDUIT
		West traffic gates - control (See note 2)	(28) 12 AWG		
9	1 1/2	West traffic barriers - power	(6) 10 AWG	10 AWG	REMOVE CABLE AND CONDUIT INSTALL CABLE AND CONDUIT
		West gates and barriers - heat, receptacles, service lights and flashers	(8) 10 AWG		
		West warning gates - power	(6) 10 AWG		
		West traffic signals	(4) 10 AWG		
		West "Drawbridge Ahead" signs	(2) 10 AWG		
10	3/4	Southwest warning gate - gong	(2) 10 AWG	10 AWG	REMOVE CABLE AND CONDUIT INSTALL CABLE AND CONDUIT
		Roadway lighting - span 1	(2) 10 AWG		
11	4	New operator's house - control system interconnections (See note 2)	(132) 12 AWG	12 AWG	REMOVE CABLE AND CONDUIT INSTALL CABLE AND CONDUIT
		Generator remote annunciator	(12 STP) 16 AWG		
	3	Power meter	(4 STP) 16 AWG	None	No Work Needed
		Ammeter	(1 STP) 16 AWG		
12	2	New operator's house - panelboard B feeder	(4) 2/0 AWG	4 AWG	REMOVE CABLE AND CONDUIT INSTALL CABLE AND CONDUIT
		Heat tracing	(2) 8 AWG		
13	3/4	CCTV - 1, 2, and 3 power	(2) 12 AWG	12 AWG	REMOVE CABLE AND CONDUIT INSTALL CABLE AND CONDUIT
	1 1/2	CCTV - 1, 2, and 3 video	(3) RG-11/U Coaxial		
14	1	West span control limit switches (LS-FS2, LS-F02) (See note 2)	(8) 12 AWG	12 AWG	REMOVE CABLE AND CONDUIT INSTALL CABLE AND CONDUIT
		West span lock - control (LS-LK2D, LS-LK2P, LS-LK2HC)	(10) 12 AWG		
15	C-L-X	Navigation lights - southwest fender	(2) 10 AWG	10 AWG	REMOVE CABLE AND CONDUIT INSTALL CABLE AND CONDUIT
16	C-L-X	Navigation lights - northwest dolphin	(2) 10 AWG	10 AWG	REMOVE CABLE AND CONDUIT INSTALL CABLE AND CONDUIT
17	3/4	Navigation lights - west fender and dolphin	(2) 10 AWG	10 AWG	REMOVE CABLE AND CONDUIT INSTALL CABLE AND CONDUIT
18	3/4	West tower lighting	(3) 10 AWG - (2) 12 AWG	10 AWG	REMOVE CABLE AND CONDUIT INSTALL CABLE AND CONDUIT
		West tower service receptacles	(2) 10 AWG		
19	3/4	Roadway lighting - span 2	(2) 10 AWG	10 AWG	REMOVE CABLE AND CONDUIT INSTALL CABLE AND CONDUIT
20	Unassigned				
21	Aerial Cable	West traffic barriers - power	(6) 10 AWG	4/0 AWG	AERIAL CABLE WORK REMOVE CABLE INSTALL CABLE
		West gate and barriers - heat, receptacles, service lights and flashers	(8) 10 AWG		
		West gates and barriers - heat, receptacles and lights	(6) 10 AWG		
		West warning gates - power	(6) 10 AWG		
		West traffic signals	(4) 10 AWG		
		West "Drawbridge Ahead" signs	(2) 10 AWG		
		Roadway lighting - span 1	(2) 10 AWG		
		New operator's house - panelboard B feeder	(4) 2/0 AWG		
		Navigation lights - west fender and dolphin	(2) 10 AWG		
		West tower lighting	(5) 10 AWG		
		West tower service receptacles	(2) 10 AWG		
		Southwest warning gate - gong	(2) 10 AWG		
22	Aerial Cable	Heat tracing	(2) 8 AWG	4/0 AWG	AERIAL CABLE WORK REMOVE CABLE INSTALL CABLE
		West traffic barriers - control (See note 2)	(28) 12 AWG		
		West warning gates - control (See note 2)	(28) 12 AWG		
		New operators house - control system interconnections (See note 2)	(132) 12 AWG		
		Generator remote annunciator	(12 STP) 16 AWG		
		Power meter	(4 STP) 16 AWG		
		Ammeter	(1 STP) 16 AWG		
Height indicator	(1 STP) 16 AWG				

Wiring and Conduit Schedule								
23	Aerial Cable	Bridge feeder	(4) 500 MCM	4/0 AWG	No Work Needed			
24	3/4	West lift span walkway lights and receptacles	(4) 10 AWG	10 AWG	REMOVE CABLE AND CONDUIT INSTALL CABLE AND CONDUIT			
25	2 1/2	West gates and barriers - heat, receptacles, service lights and flashers	(8) 10 AWG	10 AWG	REMOVE CABLE AND CONDUIT INSTALL CABLE AND CONDUIT			
		West gates and barriers - heat, receptacles and lights	(6) 10 AWG					
		West warning gates - power	(6) 10 AWG					
		West traffic signals	(4) 10 AWG					
		West "Drawbridge Ahead" signs	(2) 10 AWG					
		Roadway lighting - span 1	(2) 10 AWG					
		Navigation lights - west fender and dolphin	(2) 10 AWG					
		West tower lighting	(3) 10 AWG - (2) 12 AWG					
		West tower service receptacles	(2) 10 AWG					
		Southwest warning gate - gong	(2) 10 AWG					
26	2	New operators house - panelboard B feeder	(4) 2/0 AWG	4 AWG	No Work Needed			
		Heat tracing	(2) 8 AWG					
27	4	Bridge feeder	(4) 500 MCM	12 AWG	REMOVE CABLE AND CONDUIT INSTALL CABLE AND CONDUIT			
		West traffic barriers - control (See note 2)	(28) 12 AWG					
	3	New operator's house - control system interconnections (See note 2)	(132) 12 AWG	None	No Work Needed			
		Generator remote annunciator	(12 STP) 16 AWG					
28	3/4	Power meter	(4 STP) 16 AWG	10 AWG	REMOVE CABLE AND CONDUIT INSTALL CABLE AND CONDUIT			
		Ammeter	(1 STP) 16 AWG					
		Height indicator	(1 STP) 16 AWG					
		West span lock - motor	(3) 10 AWG					
29	Unassigned							
30	3/4	Lift span navigation lights	(3) 10 AWG	10 AWG	REMOVE CABLE AND CONDUIT INSTALL CABLE AND CONDUIT			
31	3/4	Operator's house stairway lights	(2) 10 AWG	10 AWG	REMOVE CABLE AND CONDUIT INSTALL CABLE AND CONDUIT			
32	3/4	East lift span walkway lights and receptacles	(4) 10 AWG	10 AWG	REMOVE CABLE AND CONDUIT INSTALL CABLE AND CONDUIT			
33	2 1/2	East tower stairway and tower top lights	(3) 10 AWG - (2) 12 AWG	6 AWG	REMOVE CABLE AND CONDUIT INSTALL CABLE AND CONDUIT			
		East tower service receptacles	(2) 10 AWG					
		Navigation lights - east fender and dolphin	(2) 10 AWG					
		Roadway lighting - spans 3 thru 15	(2) 8 AWG					
		East traffic barriers - power	(6) 10 AWG					
		East gates and barriers - heat, receptacles, service lights and flashers	(10) 10 AWG					
		Far east warning gates - power	(6) 6 AWG					
		Near east warning gates - power	(6) 10 AWG					
		East traffic signals	(8) 10 AWG					
		East "Drawbridge Ahead" sign	(2) 10 AWG					
34	1	Far northeast warning gate - gong	(2) 10 AWG	10 AWG	REMOVE CABLE AND CONDUIT INSTALL CABLE AND CONDUIT			
		CCTV - 4, 5, 6, 7 and 8 video	(1) 8 Count fiber					
		CCTV - 4, 5, 6, 7 and 8 power	(2) 10 AWG					
		East traffic barriers - control (See note 2)	(28) 12 AWG					
35	2 1/2	Near east warning gates - control (See note 2)	(28) 12 AWG	10 AWG	REMOVE CABLE AND CONDUIT INSTALL CABLE AND CONDUIT			
		Far east warning gates - control (See note 2)	(28) 12 AWG					
		Unassigned						
		36	3/4			East span lock - power	(3) 10 AWG	10 AWG
37	Aerial Cable	East tower stairway and tower top lights	(3) 10 AWG - (2) 12 AWG	4/0 AWG	AERIAL CABLE WORK REMOVE CABLE INSTALL CABLE			
		East tower service receptacles	(2) 10 AWG					
		Navigation lights - east fender and dolphin	(2) 10 AWG					
		Roadway lighting - spans 3 thru 15	(2) 8 AWG					
		East traffic barriers - power	(6) 10 AWG					
		East gates and barriers - heat, receptacles, service lights and flashers	(10) 10 AWG					
		Far east warning gates - power	(6) 6 AWG					
		Near east warning gates - power	(6) 10 AWG					
		East traffic signals	(8) 10 AWG					
		East "Drawbridge Ahead" sign	(2) 10 AWG					
38	Aerial Cable	Far northeast warning gate - gong	(2) 10 AWG	10 AWG	AERIAL CABLE WORK REMOVE CABLE INSTALL CABLE			
		CCTV - 4, 5, 6, 7 and 8 video	(1) 8 Count fiber					
		CCTV - 4, 5, 6, 7 and 8 power	(2) 10 AWG					
		East traffic barriers - control (See note 2)	(28) 12 AWG					
39	Aerial Cable	Far east warning gates - control (See note 2)	(28) 12 AWG	10 AWG	REMOVE CABLE AND CONDUIT INSTALL CABLE AND CONDUIT			
		Near east warning gates - control (See note 2)	(28) 12 AWG					

MODEL: D:\info\... FILE NAME: J:\22298\0304_CADD\CADD_Sheets\76743-2-1-2024.dwg



USER NAME = vnunez
 PLOT SCALE = 2,0000''/in.
 PLOT DATE = 7/1/2024

DESIGNED - MG
 DRAWN - VN/NG
 CHECKED - RP
 DATE - 7/1/2024

REVISED -
 REVISED -
 REVISED -
 REVISED -

STATE OF ILLINOIS
 DEPARTMENT OF TRANSPORTATION

JOE PAGE BRIDGE
 ELECTRICAL CABLE AND CONDUIT SCHEDULE

SCALE: SHEET OF SHEETS STA. TO STA.

F.A.U. RTE.	SECTION	COUNTY	TOTAL SHEETS	SHEET NO.
1292	(531-2-HB)BR 23	GREENE	35	21
CONTRACT NO. 76743				
ILLINOIS FED. AID PROJECT				

Wiring and Conduit Schedule					
39	1	East span control limit switches (LS-FS1, LS-FO1, LS-LK1HC) (See note 2)	(10) 12 AWG	12 AWG	REMOVE CABLE AND CONDUIT INSTALL CABLE AND CONDUIT
		East span full open limit switch (LS-FO1)	(4) 12 AWG		
		East span lock - control (LS-LK1D, LSK1P)	(8) 12 AWG		
40	3/4	East tower stairway and tower top lights	(3) 10 AWG - (2) 12 AWG	10 AWG	REMOVE CABLE AND CONDUIT INSTALL CABLE AND CONDUIT
41	3/4	East tower service receptacles	(2) 10 AWG	None	REMOVE CABLE AND CONDUIT INSTALL CABLE AND CONDUIT
		CCTV - 4, 5, 6, 7 and 8 video	(1) 8 Count fiber		
42	1	CCTV - 4, 5, 6, 7 and 8 power	(2) 10 AWG	10 AWG	REMOVE CABLE AND CONDUIT INSTALL CABLE AND CONDUIT
		Navigation lights - east fender and dolphin	(2) 10 AWG		
43	C-L-X	Navigation lights - east dolphin	(2) 10 AWG	10 AWG	REMOVE CABLE AND CONDUIT INSTALL CABLE AND CONDUIT
44	C-L-X	Navigation lights - southwest fender	(2) 10 AWG	10 AWG	REMOVE CABLE AND CONDUIT INSTALL CABLE AND CONDUIT
Unassigned					
46	3/4	Roadway lighting - spans 3 thru 8	(2) 8 AWG	8 AWG	REMOVE CABLE AND CONDUIT INSTALL CABLE AND CONDUIT
47	2 1/2	East traffic barriers - control (See note 2)	(28) 12 AWG	12 AWG	REMOVE CABLE AND CONDUIT INSTALL CABLE AND CONDUIT
		Far east warning gates - control (See note 2)	(28) 12 AWG		
		Near east warning gates - control (See note 2)	(28) 12 AWG		
48	2 1/2	East traffic barriers - power	(6) 10 AWG	6 AWG	REMOVE CABLE AND CONDUIT INSTALL CABLE AND CONDUIT
		East gates and barriers - heat, receptacles, service lights and flashers	(10) 10 AWG		
		Fast east warning gates - power	(6) 6 AWG		
		Near east warning gates - power	(6) 10 AWG		
		East traffic signals	(8) 10 AWG		
		East "Drawbridge Ahead" sign	(2) 10 AWG		
		Far northeast warning gate - gong	(2) 10 AWG		
49	3/4	Northeast traffic barrier - power	(3) 10 AWG	10 AWG	REMOVE CABLE AND CONDUIT INSTALL CABLE AND CONDUIT
		Northeast traffic barrier - heat, receptacles, service light and flashers	(6) 10 AWG		
50	1	Northeast traffic barrier - control (See note 2)	(14) 12 AWG	12 AWG	REMOVE CABLE AND CONDUIT INSTALL CABLE AND CONDUIT
51	3/4	Southeast traffic barrier - power	(3) 10 AWG	10 AWG	REMOVE CABLE AND CONDUIT INSTALL CABLE AND CONDUIT
		Southeast traffic barrier - heat, receptacles, service light and flasher	(6) 10 AWG		
52	1	Southeast traffic barrier - control (See note 2)	(14) 12 AWG	12 AWG	REMOVE CABLE AND CONDUIT INSTALL CABLE AND CONDUIT
53	1 1/4	Fast east warning gates - control	(28) 12 AWG	12 AWG	REMOVE CABLE AND CONDUIT INSTALL CABLE AND CONDUIT
54	1 1/2	Far east warning gates - power	(6) 6 AWG	6 AWG	REMOVE CABLE AND CONDUIT INSTALL CABLE AND CONDUIT
		Far east warning gates - heat, receptacles, service light and flashers	(6) 10 AWG		
		Far east traffic signals	(4) 10 AWG		
		East "Drawbridge Ahead" sign	(2) 10 AWG		
		Far northeast warning gate - gong	(2) 10 AWG		
55	1 1/4	Far northeast warning gate - power	(3) 6 AWG	6 AWG	REMOVE CABLE AND CONDUIT INSTALL CABLE AND CONDUIT
		Northwest warning gates - heat, receptacles, service light and flashers	(6) 10 AWG		
56	1	Far northeast warning gate - control (See note 2)	(14) 12 AWG	12 AWG	REMOVE CABLE AND CONDUIT INSTALL CABLE AND CONDUIT
57	1	Far southeast warning gate - control (See note 2)	(14) 12 AWG	12 AWG	REMOVE CABLE AND CONDUIT INSTALL CABLE AND CONDUIT
58	1	Far southwest warning gate - power	(3) 6 AWG	6 AWG	REMOVE CABLE AND CONDUIT INSTALL CABLE AND CONDUIT
		Southwest warning gate - heat, receptacle, service light and flashers	(6) 10 AWG		
59	3/4	Far east traffic signals	(4) 10 AWG	10 AWG	REMOVE CABLE AND CONDUIT INSTALL CABLE AND CONDUIT
		East "Drawbridge Ahead" sign	(2) 10 AWG		
60	3/4	East "Drawbridge Ahead" sign	(2) 10 AWG	10 AWG	REMOVE CABLE AND CONDUIT INSTALL CABLE AND CONDUIT
61	3/4	Northwest "Drawbridge Ahead" sign	8 AWG Duplex	8 AWG	REMOVE CABLE AND CONDUIT INSTALL CABLE AND CONDUIT
62	3/4	Southwest "Drawbridge Ahead" sign	8 AWG Duplex	8 AWG	REMOVE CABLE AND CONDUIT INSTALL CABLE AND CONDUIT
63	1 1/2	Northwest warning gate - control (See note 2)	(14) 12 AWG	12 AWG	REMOVE CABLE AND CONDUIT INSTALL CABLE AND CONDUIT
		Southwest warning gate - control (See note 2)	(14) 12 AWG		

Wiring and Conduit Schedule					
64	1 1/2	Northwest warning gate - power	(3) 10 AWG	10 AWG	REMOVE CABLE AND CONDUIT INSTALL CABLE AND CONDUIT
		Northwest warning gate - heat, receptacle, service light and flasher	(6) 10 AWG		
		Southwest warning gate - power	(3) 10 AWG		
		Southwest warning gate - heat, receptacle, service light and flasher	(6) 10 AWG		
		Southwest warning gate - gong	(2) 10 AWG		
		West traffic signals	(4) 10 AWG		
65	1	West "Drawbridge Ahead" signs	(2) 10 AWG	12 AWG	REMOVE CABLE AND CONDUIT INSTALL CABLE AND CONDUIT
		Northwest warning gate - control (See note 2)	(14) 12 AWG		
66	3/4	Northwest warning gate - power	(3) 10 AWG	10 AWG	REMOVE CABLE AND CONDUIT INSTALL CABLE AND CONDUIT
		Northwest warning gate - heat, receptacle, service light and flasher	(6) 10 AWG		
67	1	Southwest warning gate - control (See note 2)	(14) 12 AWG	12 AWG	REMOVE CABLE AND CONDUIT INSTALL CABLE AND CONDUIT
68	1	Southwest warning gate - power	(3) 10 AWG	10 AWG	REMOVE CABLE AND CONDUIT INSTALL CABLE AND CONDUIT
		Southwest warning gate - heat, receptacle, service light and flasher	(6) 10 AWG		
		Southwest warning gate - gong	(2) 10 AWG		
69	3/4	Near northeast warning gate - power	(3) 10 AWG	10 AWG	REMOVE CABLE AND CONDUIT INSTALL CABLE AND CONDUIT
		Near northeast warning gate - heat, receptacle, service light and flasher	(6) 10 AWG		
70	1	Near northeast warning gate - control (See note 2)	(14) 12 AWG	12 AWG	REMOVE CABLE AND CONDUIT INSTALL CABLE AND CONDUIT
71	1	Near southeast warning gate - control (See note 2)	(14) 12 AWG	12 AWG	REMOVE CABLE AND CONDUIT INSTALL CABLE AND CONDUIT
72	3/4	Near southeast warning gate - power	(3) 10 AWG	10 AWG	REMOVE CABLE AND CONDUIT INSTALL CABLE AND CONDUIT
		Near southeast warning gate - heat, receptacle, service light and flasher	(6) 10 AWG		
73	3/4	Near east traffic signals	(4) 10 AWG	10 AWG	REMOVE CABLE AND CONDUIT INSTALL CABLE AND CONDUIT

NOTES:

1. THE REMOVED CABLE AND CONDUIT ARE TO BE REPLACED WITH THE SAME DIMENSION AND CABLE COUNT AS OUTLINED IN THE WIRING AND CONDUIT SCHEDULE.
2. THE AERIAL SPAN IS ALSO BEING REPLACED AS NOTED IN THE WIRING AND CONDUIT SCHEDULE.

MODEL: D:\info\... FILE NAME: ...



USER NAME = vnunez	DESIGNED - MG	REVISED -
PLOT SCALE = 2,000' = 1" = 1/4"	DRAWN - VN/NG	REVISED -
PLOT DATE = 7/1/2024	CHECKED - RP	REVISED -
	DATE - 7/1/2024	REVISED -

**STATE OF ILLINOIS
DEPARTMENT OF TRANSPORTATION**

**JOE PAGE BRIDGE
ELECTRICAL CABLE AND CONDUIT SCHEDULE**

SCALE: SHEET OF SHEETS STA. TO STA.

F.A.U. RTE.	SECTION	COUNTY	TOTAL SHEETS	SHEET NO.
1292	(531-2-HB)BR 23	GREENE	35	22
CONTRACT NO. 76T43				
ILLINOIS FED. AID PROJECT				

PANELBOARD A									
Voltage: 208Y/120			Phase: 3	Wire: 4		Amperes: 225	Main: 125A MCB	A.I.R.:10,000	
Circuit No.	Breaker		Service to	Conductors	Conductors	Service to	Breaker		Circuit No.
	Poles	Amps					Poles	Amps	
1	1	20	Lift span walkway receptacles	(2) 10 AWG	(2) 10 AWG	West tower receptacles	1	20	2
3	1	20	Lift span walkway lights	(2) 10 AWG	(2) 10 AWG	East tower receptacles	1	20	4
5	2	20	East tower stairway lights	(3) 10 AWG	(3) 10 AWG	West tower stairway lights	2	20	6
7	1	20	Traffic signals	(2) 10 AWG	(2) 10 AWG	Marine navigation lights	1	20	8
9	1	20	East gates and barriers lights	(2) 10 AWG	(2) 10 AWG	West gates & barrier lights	1	20	10
11	1	20	East CCTV cameras	(2) 10 AWG	(2) 10 AWG	Control circuit	1	20	12
13	1	20	West warning gates, heat & receptacles	(2) 10 AWG	(2) 10 AWG	Near east warning gates, heat & receptacles	1	20	14
15	1	20	West barrier gates, heat & receptacles	(2) 10 AWG	(2) 10 AWG	East barrier gates, heat & receptacles	1	20	16
17	1	20	Far east warning gates, heat & receptacles	(2) 10 AWG	(2) 10 AWG	Panelboard B feeder	1	20	18
19	1	20	Machinery house receptacles	(2) 10 AWG	(2) 10 AWG	Machinery house receptacles	1	20	20
21	1	20	Machinery house lighting	(2) 10 AWG	(2) 10 AWG	Fast gate and barrier service lights	1	20	22
23	1	20	Traffic control circuit	(2) 12 AWG	(2) 12 AWG	West gate and barrier service lights	1	20	24
25	1	20	Spare	(2) 12 AWG	(2) 12 AWG	Spare	1	20	26
27	1	20	Spare	(2) 12 AWG	(2) 12 AWG	Spare	1	20	28
29									30
31									32
33									34
35									36
37									38
39									40
41									42

PANELBOARD B									
Voltage: 208Y/120			Phase: 3	Wire: 4		Amperes: 100	Main: 60A MCB	A.I.R.:10,000	
Circuit No.	Breaker		Service to	Conductors	Conductors	Service to	Breaker		Circuit No.
	Poles	Amps					Poles	Amps	
1	1	20	Operators house external lights	(2) 10 AWG	(2) 12 AWG	West CCTV cameras	1	20	2
3	1	20	Operators house lights	(2) 12 AWG	(2) 12 AWG	Operators house receptacles	1	20	4
5	1	20	Spare	(2) 12 AWG	(2) 12 AWG	Operators house receptacles	1	20	6
7	2	40	A/C - Air handler	(2) 8 AWG	(2) 12 AWG	Exhaust fan	1	20	8
9	2	25	A/C - Condensing unit	(2) 10 AWG	(2) 12 AWG	Bathroom heater	2	20	10
11	2	20	Fin tube heater	(2) 12 AWG	(2) 12 AWG	Fin tube heater	2	20	12
13	2	20	Fin tube heater	(2) 12 AWG	(2) 12 AWG	Water heater	2	20	14
15	1	20	Receptacle at AHU	(2) 12 AWG	(2) 12 AWG	North outside receptacle	1	20	16
17	1	20	Spare			Spare	1	20	18
19									20

PANELBOARD DP									
Voltage: 480Y/277			Phase: 3	Wire: 4		Amperes: 400	Main: 350A MCB	A.I.R.:---	
Circuit No.	Breaker		Service to	Conductors	Conductors	Service to	Breaker		Circuit No.
	Poles	Amps					Poles	Amps	
1	1	20	Roadway lighting	(2) 10 AWG	(2) 12 AWG	Bus monitor & power monitor	3	20	2
3	3	30	Unit heaters	(2) 12 AWG	(2) 12 AWG	Heat tracing	2	30	4
5	3	70	Transformer A	(2) 12 AWG	(2) 12 AWG	Starter cabinet	3	40	6
7	3	200	Main drive	(2) 8 AWG	(2) 12 AWG	Emergency drive	3	35	8
9	3	30	Spare	(2) 10 AWG					10
11									12
13									14
15									16

MODEL: D:\info\... FILE NAME: J:\22298\0304_CADD\CADD_Sheets\76T43.tbl\h28.dgn



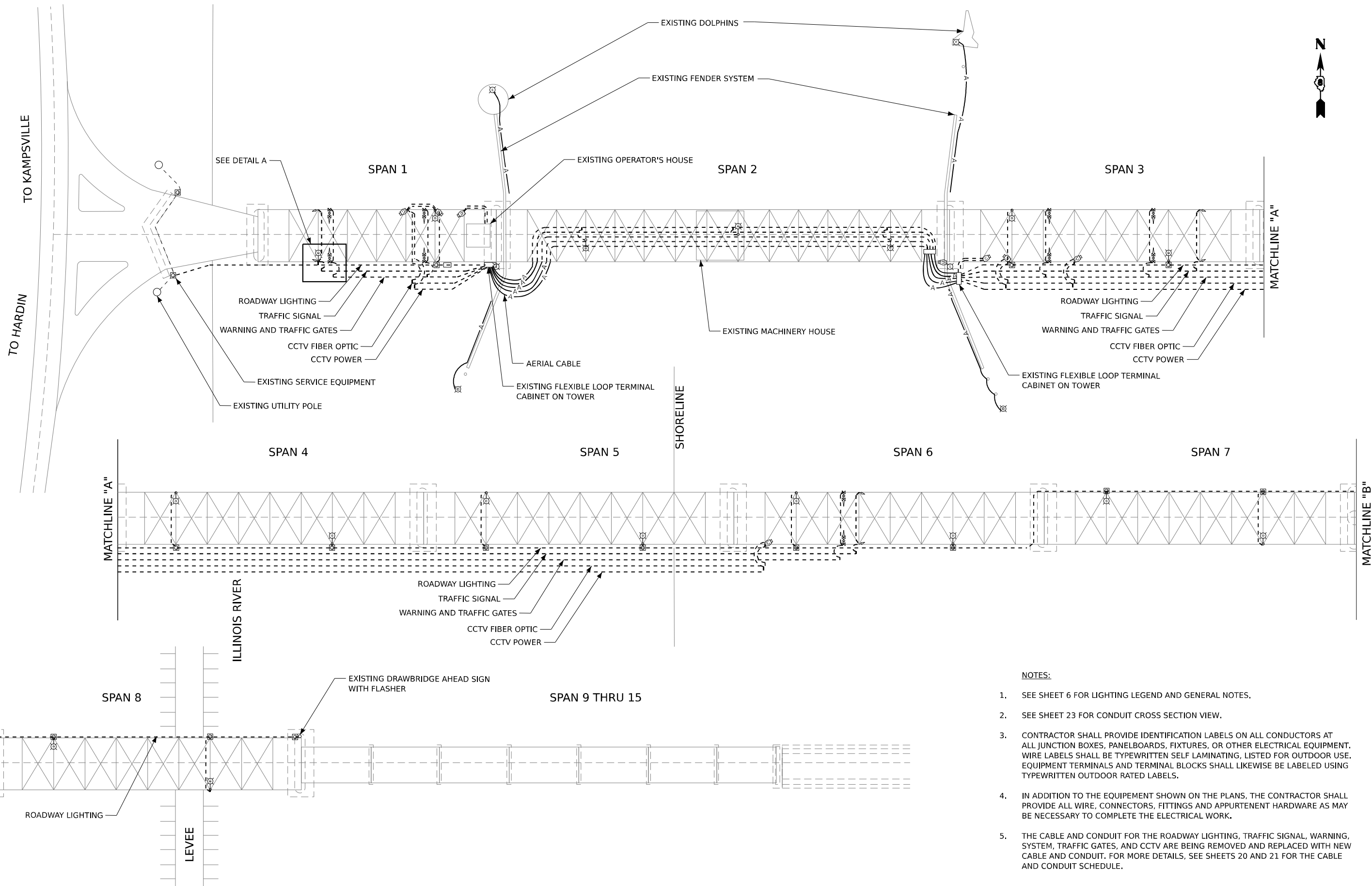
USER NAME = vnunez	DESIGNED - MG	REVISED -
	DRAWN - VN/NG	REVISED -
PLOT SCALE = 2,0000"=1'	CHECKED - RP	REVISED -
PLOT DATE = 7/1/2024	DATE - 7/1/2024	REVISED -

STATE OF ILLINOIS
DEPARTMENT OF TRANSPORTATION

JOE PAGE BRIDGE
PANELBOARD SCHEDULES

SCALE: SHEET OF SHEETS STA. TO STA.

F.A.U. RTE.	SECTION	COUNTY	TOTAL SHEETS	SHEET NO.
1292	(531-2-HB)BR 23	GREENE	35	23
CONTRACT NO. 76T43				
ILLINOIS FED. AID PROJECT				



- NOTES:**
- SEE SHEET 6 FOR LIGHTING LEGEND AND GENERAL NOTES.
 - SEE SHEET 23 FOR CONDUIT CROSS SECTION VIEW.
 - CONTRACTOR SHALL PROVIDE IDENTIFICATION LABELS ON ALL CONDUCTORS AT ALL JUNCTION BOXES, PANELBOARDS, FIXTURES, OR OTHER ELECTRICAL EQUIPMENT. WIRE LABELS SHALL BE TYPEWRITTEN SELF LAMINATING, LISTED FOR OUTDOOR USE. EQUIPMENT TERMINALS AND TERMINAL BLOCKS SHALL LIKEWISE BE LABELED USING TYPEWRITTEN OUTDOOR RATED LABELS.
 - IN ADDITION TO THE EQUIPEMENT SHOWN ON THE PLANS, THE CONTRACTOR SHALL PROVIDE ALL WIRE, CONNECTORS, FITTINGS AND APPURTENENT HARDWARE AS MAY BE NECESSARY TO COMPLETE THE ELECTRICAL WORK.
 - THE CABLE AND CONDUIT FOR THE ROADWAY LIGHTING, TRAFFIC SIGNAL, WARNING, SYSTEM, TRAFFIC GATES, AND CCTV ARE BEING REMOVED AND REPLACED WITH NEW CABLE AND CONDUIT. FOR MORE DETAILS, SEE SHEETS 20 AND 21 FOR THE CABLE AND CONDUIT SCHEDULE.

MODEL: D:\info\...
 FILE NAME: J:\22298\0304_CADD\CADD_Sheets\76743\plan\20.dgn



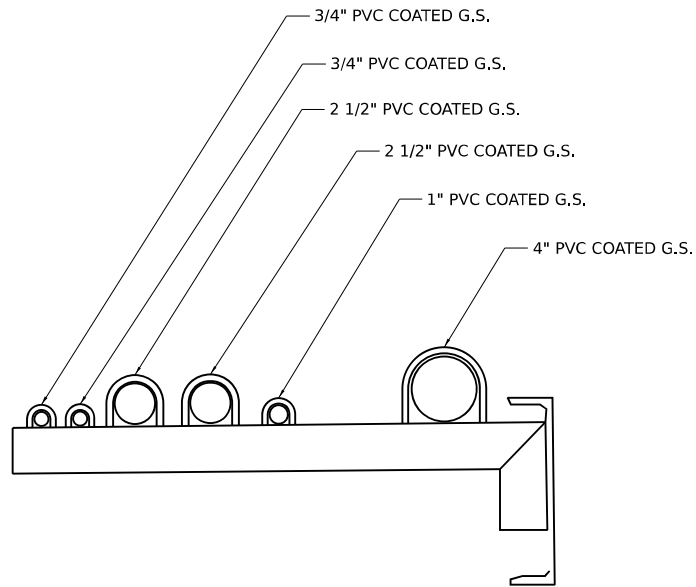
USER NAME = vnunez	DESIGNED - MG	REVISED -
	DRAWN - VN/NG	REVISED -
PLOT SCALE = 50,000' / 1"	CHECKED - RP	REVISED -
PLOT DATE = 7/1/2024	DATE - 7/1/2024	REVISED -

**STATE OF ILLINOIS
DEPARTMENT OF TRANSPORTATION**

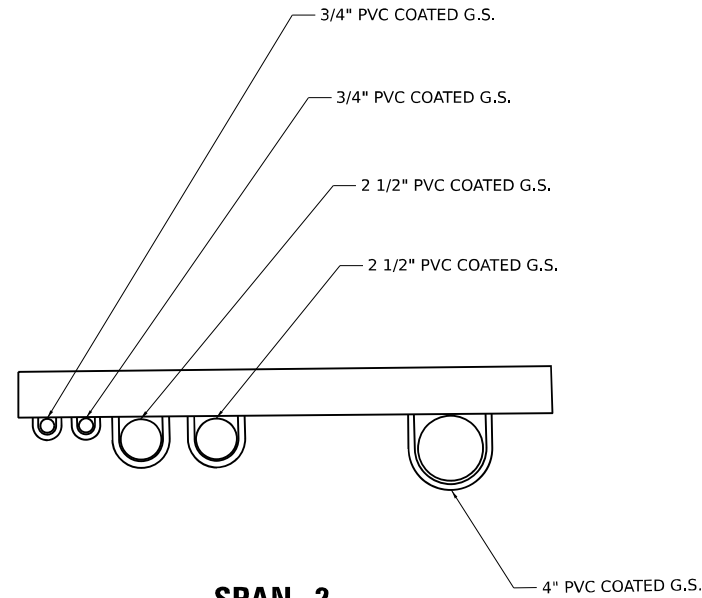
**JOE PAGE BRIDGE
PLAN VIEW**

SCALE: SHEET OF SHEETS STA. TO STA.

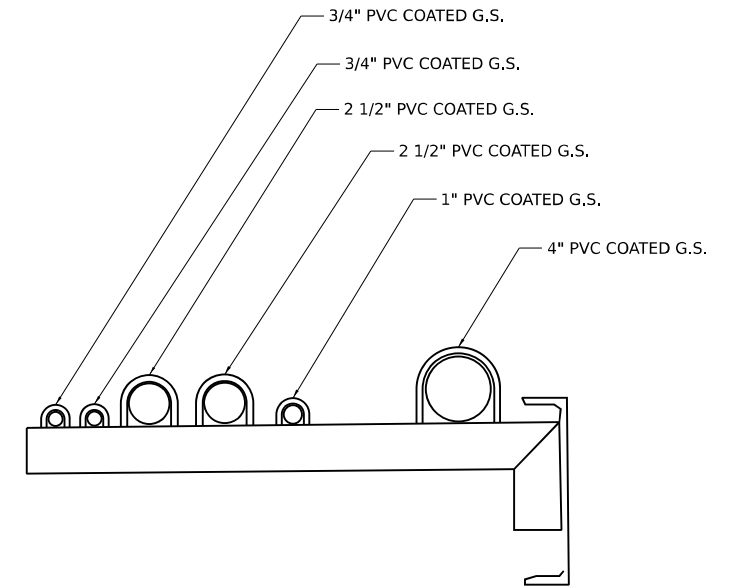
F.A.U. RTE.	SECTION	COUNTY	TOTAL SHEETS	SHEET NO.
1292	(531-2-HB)BR 23	GREENE	35	24
CONTRACT NO. 76743				
ILLINOIS FED. AID PROJECT				



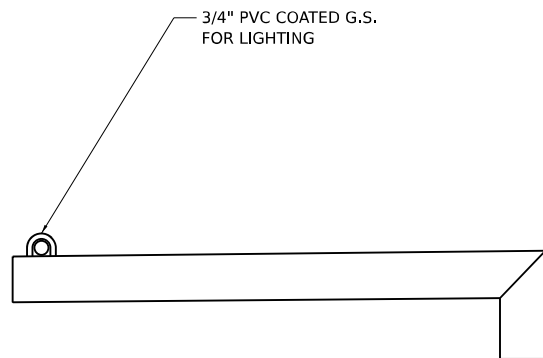
SPAN 1 AND 3
N.T.S.



SPAN 2
N.T.S.



SPANS 4, 5, AND 6
N.T.S.



SPANS 7 AND 8
N.T.S.

NOTES:

1. THE CONTRACTOR IS TO CONFIRM CONDUIT BRACKET, MOUNTING, HARDWARE AND BRIDGE STRUCTURE IS SOUND BEFORE INSTALLING NEW CONDUIT AND BRACKETS.
2. PROVIDE EXPANSION FITTINGS IN CONDUIT RUNS WHERE IT CROSSES STRUCTURAL EXPANSION JOINT AND OR EVERY 300 FEET IN ALL EXPOSED CONDUIT RUNS.

MODEL: D:\p1\h1\1... FILE NAME: J122298.0304_CADD\CADD_Sheets\76T43.dwg



USER NAME = vnunez	DESIGNED - MG	REVISED -
	DRAWN - VN/NG	REVISED -
PLOT SCALE = 2,000' = 1" IN.	CHECKED - RP	REVISED -
PLOT DATE = 7/1/2024	DATE - 7/1/2024	REVISED -

STATE OF ILLINOIS
DEPARTMENT OF TRANSPORTATION

JOE PAGE BRIDGE
CONDUIT CROSS SECTIONS

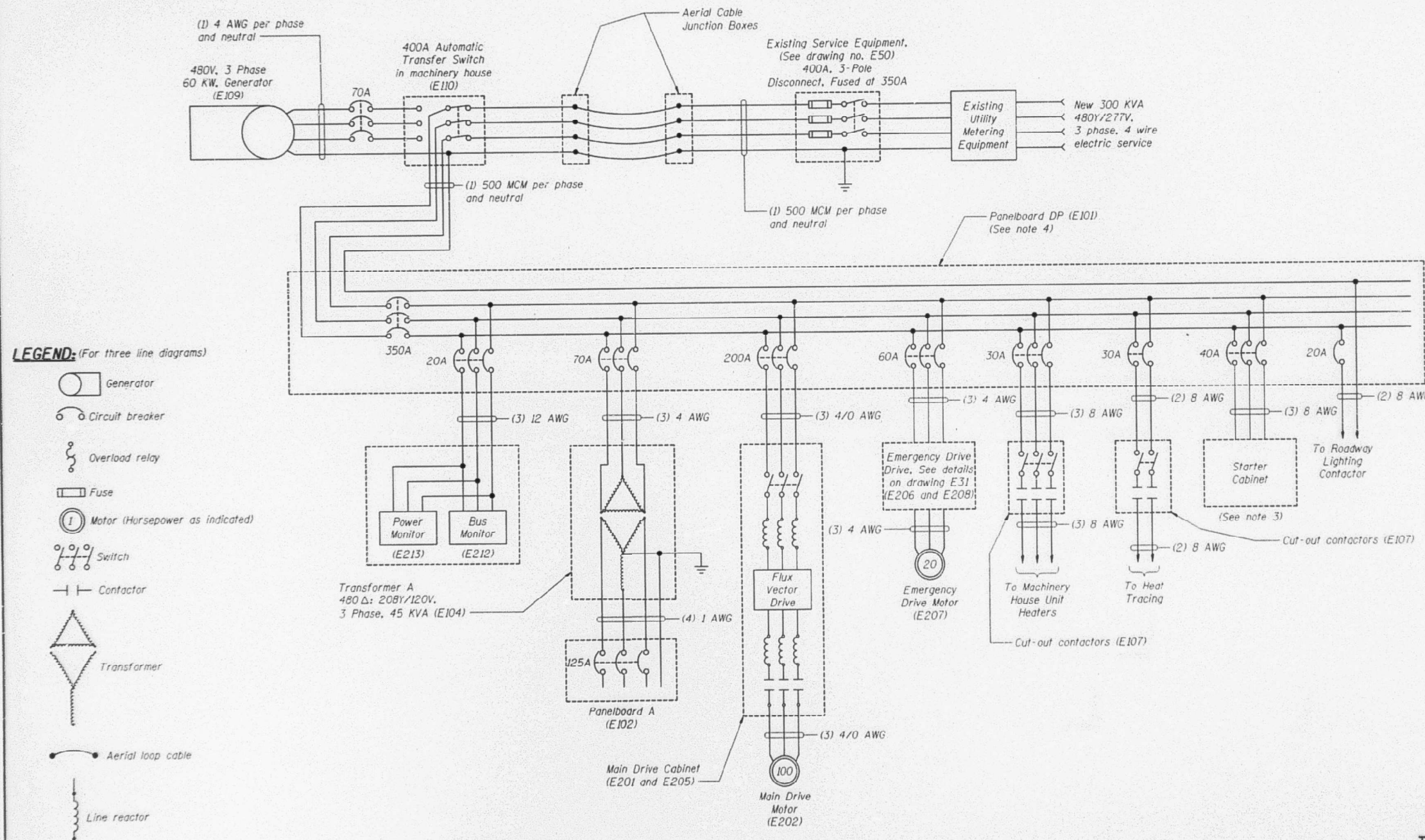
SCALE: SHEET OF SHEETS STA. TO STA.

F.A.U. RTE.	SECTION	COUNTY	TOTAL SHEETS	SHEET NO.
1292	(531-2-HB)BR 23	GREENE	35	25
CONTRACT NO. 76T43				
ILLINOIS FED. AID PROJECT				

STATE OF ILLINOIS
DEPARTMENT OF TRANSPORTATION

PROJECT NO.	SECTION	DRAWING	SHEET	SHEET NO.
F.A.P. PROJ. NO.	266BR	GREENE & CALHOUN	223	147
FED. ROAD DIST. NO. 7	ALABAMA	FED. AID PROJECT		

SHEET NO. 137
213 SHEETS



LEGEND: (For three line diagrams)

- Generator
- Circuit breaker
- Overload relay
- Fuse
- Motor (Horsepower as indicated)
- Switch
- Contactor
- Transformer
- Aerial loop cable
- Line reactor

DESIGNED	NEA
CHECKED	LRB
DRAWN	RLR
CHECKED	NEA



NOTES:

- This three line diagram is diagrammatic and is not intended to show controls, wiring and equipment in their exact physical relationship.
- In addition to conductors shown, all conduits shall include an insulated ground conductor sized in accordance with the National Electrical Code, article 250.
- For layout of starter cabinet, see drawing no. E4.
- For Panelboard branch circuit schedules, see drawing nos. E40 and E41.
- All wire, cable, bus bars, terminal blocks, contacts, grounding and bonding conductors, etc. shall be copper. Aluminum will not be accepted.
- Motor disconnect switches for gates and barriers shall be integral to that equipment, sized as required, and supplied by the gate and barrier manufacturers.
- Motor circuit protective device ratings shall be determined by control circuit manufacturer. All overloads shall be sized appropriately utilizing actual nameplate data of approved equipment.

FOR INFORMATION ONLY

THREE LINE DIAGRAM - 1
JOE PAGE BRIDGE
OVER THE ILLINOIS RIVER
HARDIN, ILLINOIS
@ STRUCTURE STATION = 6+70.68
F.A.P. ROUTE 304 (IL 16/100) SECTION 266BR
GREENE AND CALHOUN COUNTIES
STRUCTURE NO. 031-0001

Dwg. No. E3

MODEL Path: I:\2022\2022\0304_CADD\CADD_Sheets\76743\Wiring\Wiring.dwg



USER NAME = vnunez	DESIGNED - MG	REVISED -
PLOT SCALE = 2,0000' = 1"	DRAWN - VN/NG	REVISED -
PLOT DATE = 7/1/2024	CHECKED - RP	REVISED -
	DATE - 7/1/2024	REVISED -

STATE OF ILLINOIS
DEPARTMENT OF TRANSPORTATION

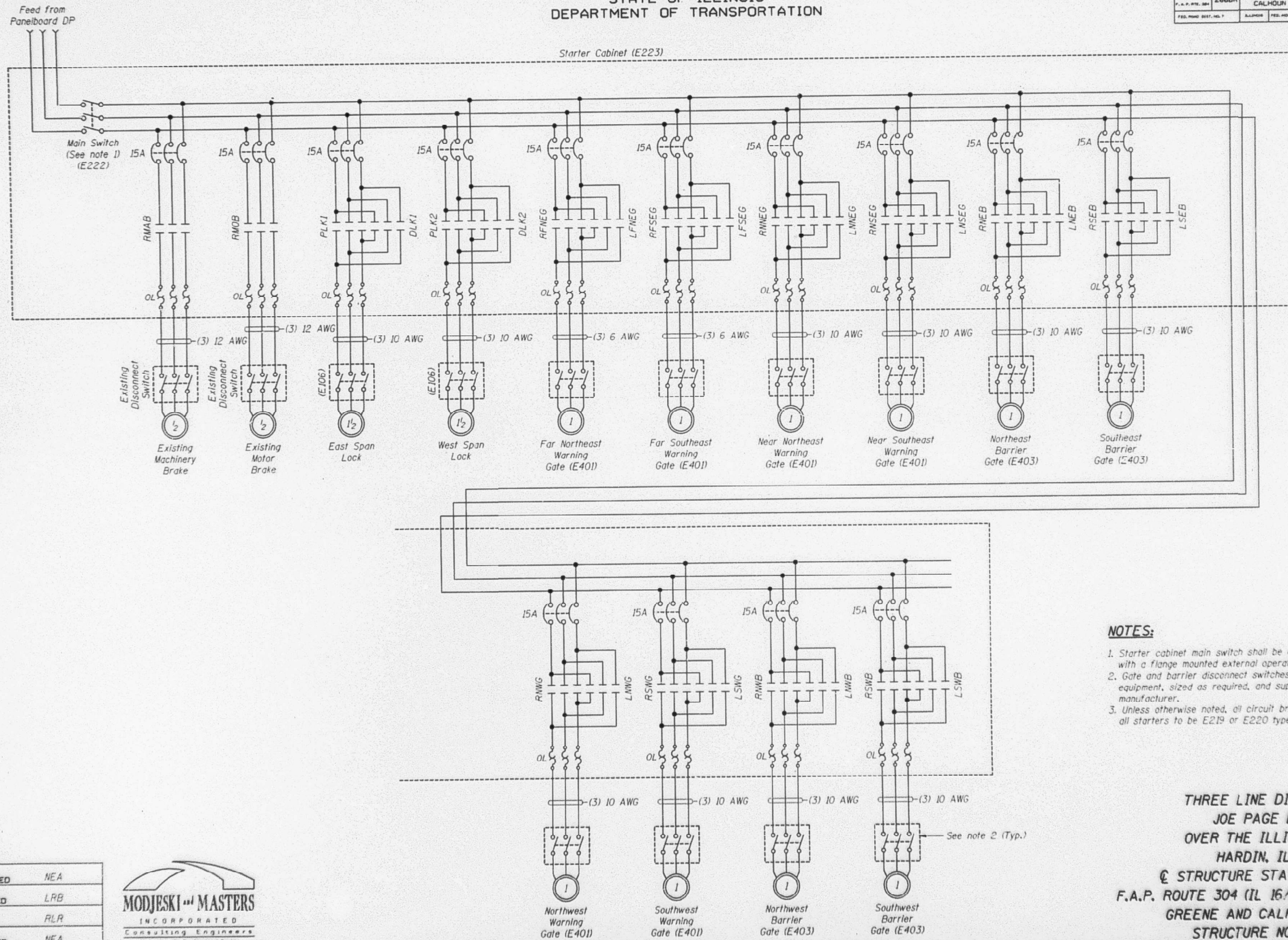
JOE PAGE BRIDGE
WIRING DIAGRAM FROM CONTRACT 76281

SCALE:	SHEET	OF	SHEETS	STA.	TO	STA.
--------	-------	----	--------	------	----	------

F.A.U. RTE.	SECTION	COUNTY	TOTAL SHEETS	SHEET NO.
1292	(531-2-HB)BR 23	GREENE	35	26
CONTRACT NO. 76743				
ILLINOIS FED. AID PROJECT				

STATE OF ILLINOIS
DEPARTMENT OF TRANSPORTATION

ROUTE NO.	SECTION	COUNTY	SHEETS	TOTAL	SHEET NO.
F.A.P. RTE. 304	266BR	GREENE & CALHOUN	223	148	213 SHEETS
FED. ROAD DIST. NO. 7	SECTION	FED. AID PROJECT			



- NOTES:**
1. Starter cabinet main switch shall be a molded case switch, with a flange mounted external operating mechanism.
 2. Gate and barrier disconnect switches shall be integral to that equipment, sized as required, and supplied by the gate and barrier manufacturer.
 3. Unless otherwise noted, all circuit breakers to be E221 type, and all starters to be E219 or E220 type.

THREE LINE DIAGRAM - 2
JOE PAGE BRIDGE
OVER THE ILLINOIS RIVER
HARDIN, ILLINOIS
@ STRUCTURE STATION = 6+70.68
F.A.P. ROUTE 304 (IL 16/100) SECTION 266BR
GREENE AND CALHOUN COUNTIES
STRUCTURE NO. 031-0001

DESIGNED	NEA
CHECKED	LRB
DRAWN	RLR
CHECKED	NEA



FOR INFORMATION ONLY

Dwg. No. E4

MODEL Path: J:\222988\0304_CADD\CADD_Sheets\76243\Wiring\Wiring-2.dgn



USER NAME	= vnunez
PLOT SCALE	= 2,000"=1" in.
PLOT DATE	= 7/1/2024

DESIGNED	- MG
DRAWN	- VN/NG
CHECKED	- RP
DATE	- 7/1/2024

REVISED	-
REVISED	-
REVISED	-
REVISED	-

STATE OF ILLINOIS
DEPARTMENT OF TRANSPORTATION

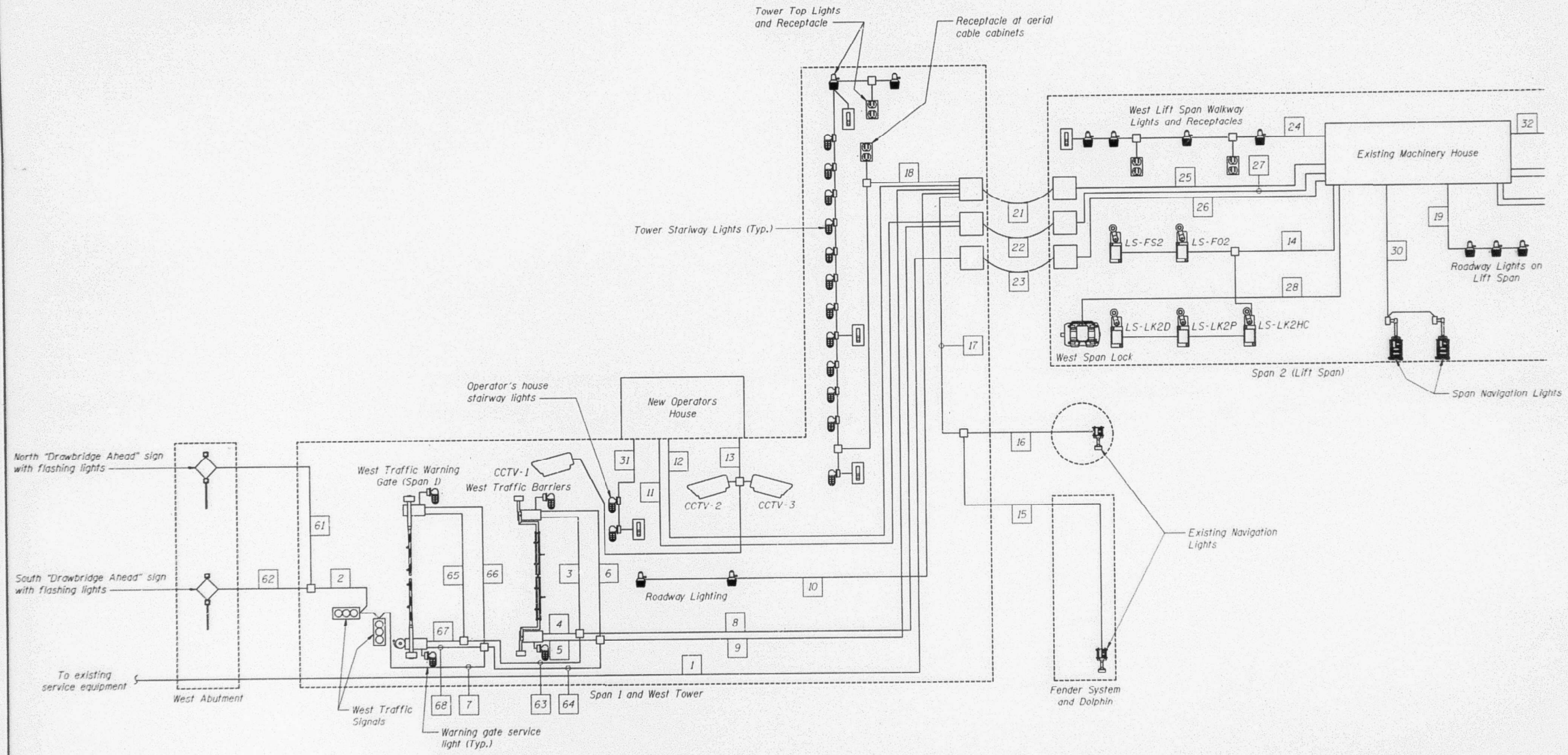
JOE PAGE BRIDGE
WIRING DIAGRAM FROM CONTRACT 76281

SCALE: SHEET OF SHEETS STA. TO STA.

F.A.U. RTE.	SECTION	COUNTY	TOTAL SHEETS	SHEET NO.
1292	(531-2-HB)BR 23	GREENE	35	27
CONTRACT NO. 76743				
ILLINOIS FED. AID PROJECT				

STATE OF ILLINOIS
DEPARTMENT OF TRANSPORTATION

PROJECT NO.	SECTION	COUNTY	DATE	SHEET NO.	SHEET NO.
266BR	GREENE & CALHOUN	223	149	213 SHEETS	
FED. ROAD DIST. NO. 7					



NOTES:

1. Conduits within houses, and those terminating at devices on the outside of house wall, are not shown.
2. Conduit layout shown is not intended to show conduit and equipment in exact physical relationship.
3. It shall be the contractor's responsibility to provide all miscellaneous fittings, clamps, bushings, flexible conduit and appurtenant hardware as may be required to complete the conduit system even though such devices may not be shown.
4. All exposed conduit shall be PVC coated rigid steel. All flexible conduit shall be liquid-tight galvanized steel.
5. All conduits shall have a 1/4" drain hole placed in a conduit "tee" at the low point of the conduit run.
6. Conduits shall be supported at minimum 6 foot intervals.
7. Conductor pulls shall not exceed 300 feet.
8. Splices if any, in long conductor runs shall be made utilizing terminal blocks in nema 4 enclosures. Splices in multiple runs will require common (grouped) locations for terminal boxes.
9. Unless otherwise noted, all conduit, cable, wiring and raceway are new and required.
10. All conduits shall include a ground conductor.

FOR INFORMATION ONLY

BRIDGE WIRING AND CONDUIT LAYOUT - 1
JOE PAGE BRIDGE
OVER THE ILLINOIS RIVER
HARDIN, ILLINOIS
STRUCTURE STATION = 6+70.68
F.A.P. ROUTE 304 (IL 16/100) SECTION 266BR
GREENE AND CALHOUN COUNTIES
STRUCTURE NO. 031-0001

Desg. No. E5

DESIGNED	NEA
CHECKED	LRB
DRAWN	RLR
CHECKED	NEA



MODEL Path: J:\22298\0304_CADD\CADD_Sheets\76743-15-16-17-18-19-20-21-22-23-24-25-26-27-28-29-30-31-32-33-34-35-36-37-38-39-40-41-42-43-44-45-46-47-48-49-50-51-52-53-54-55-56-57-58-59-60-61-62-63-64-65-66-67-68-69-70-71-72-73-74-75-76-77-78-79-80-81-82-83-84-85-86-87-88-89-90-91-92-93-94-95-96-97-98-99-100-101-102-103-104-105-106-107-108-109-110-111-112-113-114-115-116-117-118-119-120-121-122-123-124-125-126-127-128-129-130-131-132-133-134-135-136-137-138-139-140-141-142-143-144-145-146-147-148-149-150-151-152-153-154-155-156-157-158-159-160-161-162-163-164-165-166-167-168-169-170-171-172-173-174-175-176-177-178-179-180-181-182-183-184-185-186-187-188-189-190-191-192-193-194-195-196-197-198-199-200-201-202-203-204-205-206-207-208-209-210-211-212-213-214-215-216-217-218-219-220-221-222-223-224-225-226-227-228-229-230-231-232-233-234-235-236-237-238-239-240-241-242-243-244-245-246-247-248-249-250-251-252-253-254-255-256-257-258-259-260-261-262-263-264-265-266-267-268-269-270-271-272-273-274-275-276-277-278-279-280-281-282-283-284-285-286-287-288-289-290-291-292-293-294-295-296-297-298-299-300-301-302-303-304-305-306-307-308-309-310-311-312-313-314-315-316-317-318-319-320-321-322-323-324-325-326-327-328-329-330-331-332-333-334-335-336-337-338-339-340-341-342-343-344-345-346-347-348-349-350-351-352-353-354-355-356-357-358-359-360-361-362-363-364-365-366-367-368-369-370-371-372-373-374-375-376-377-378-379-380-381-382-383-384-385-386-387-388-389-390-391-392-393-394-395-396-397-398-399-400-401-402-403-404-405-406-407-408-409-410-411-412-413-414-415-416-417-418-419-420-421-422-423-424-425-426-427-428-429-430-431-432-433-434-435-436-437-438-439-440-441-442-443-444-445-446-447-448-449-450-451-452-453-454-455-456-457-458-459-460-461-462-463-464-465-466-467-468-469-470-471-472-473-474-475-476-477-478-479-480-481-482-483-484-485-486-487-488-489-490-491-492-493-494-495-496-497-498-499-500-501-502-503-504-505-506-507-508-509-510-511-512-513-514-515-516-517-518-519-520-521-522-523-524-525-526-527-528-529-530-531-532-533-534-535-536-537-538-539-540-541-542-543-544-545-546-547-548-549-550-551-552-553-554-555-556-557-558-559-560-561-562-563-564-565-566-567-568-569-570-571-572-573-574-575-576-577-578-579-580-581-582-583-584-585-586-587-588-589-590-591-592-593-594-595-596-597-598-599-600-601-602-603-604-605-606-607-608-609-610-611-612-613-614-615-616-617-618-619-620-621-622-623-624-625-626-627-628-629-630-631-632-633-634-635-636-637-638-639-640-641-642-643-644-645-646-647-648-649-650-651-652-653-654-655-656-657-658-659-660-661-662-663-664-665-666-667-668-669-670-671-672-673-674-675-676-677-678-679-680-681-682-683-684-685-686-687-688-689-690-691-692-693-694-695-696-697-698-699-700-701-702-703-704-705-706-707-708-709-710-711-712-713-714-715-716-717-718-719-720-721-722-723-724-725-726-727-728-729-730-731-732-733-734-735-736-737-738-739-740-741-742-743-744-745-746-747-748-749-750-751-752-753-754-755-756-757-758-759-760-761-762-763-764-765-766-767-768-769-770-771-772-773-774-775-776-777-778-779-780-781-782-783-784-785-786-787-788-789-790-791-792-793-794-795-796-797-798-799-800-801-802-803-804-805-806-807-808-809-810-811-812-813-814-815-816-817-818-819-820-821-822-823-824-825-826-827-828-829-830-831-832-833-834-835-836-837-838-839-840-841-842-843-844-845-846-847-848-849-850-851-852-853-854-855-856-857-858-859-860-861-862-863-864-865-866-867-868-869-870-871-872-873-874-875-876-877-878-879-880-881-882-883-884-885-886-887-888-889-890-891-892-893-894-895-896-897-898-899-900-901-902-903-904-905-906-907-908-909-910-911-912-913-914-915-916-917-918-919-920-921-922-923-924-925-926-927-928-929-930-931-932-933-934-935-936-937-938-939-940-941-942-943-944-945-946-947-948-949-950-951-952-953-954-955-956-957-958-959-960-961-962-963-964-965-966-967-968-969-970-971-972-973-974-975-976-977-978-979-980-981-982-983-984-985-986-987-988-989-990-991-992-993-994-995-996-997-998-999-1000



USER NAME	= vnunez
DESIGNED	- MG
DRAWN	- VN/NG
CHECKED	- RP
DATE	- 7/1/2024

DESIGNED	-
REVISIONS	-
CHECKED	-
DATE	-

STATE OF ILLINOIS
DEPARTMENT OF TRANSPORTATION

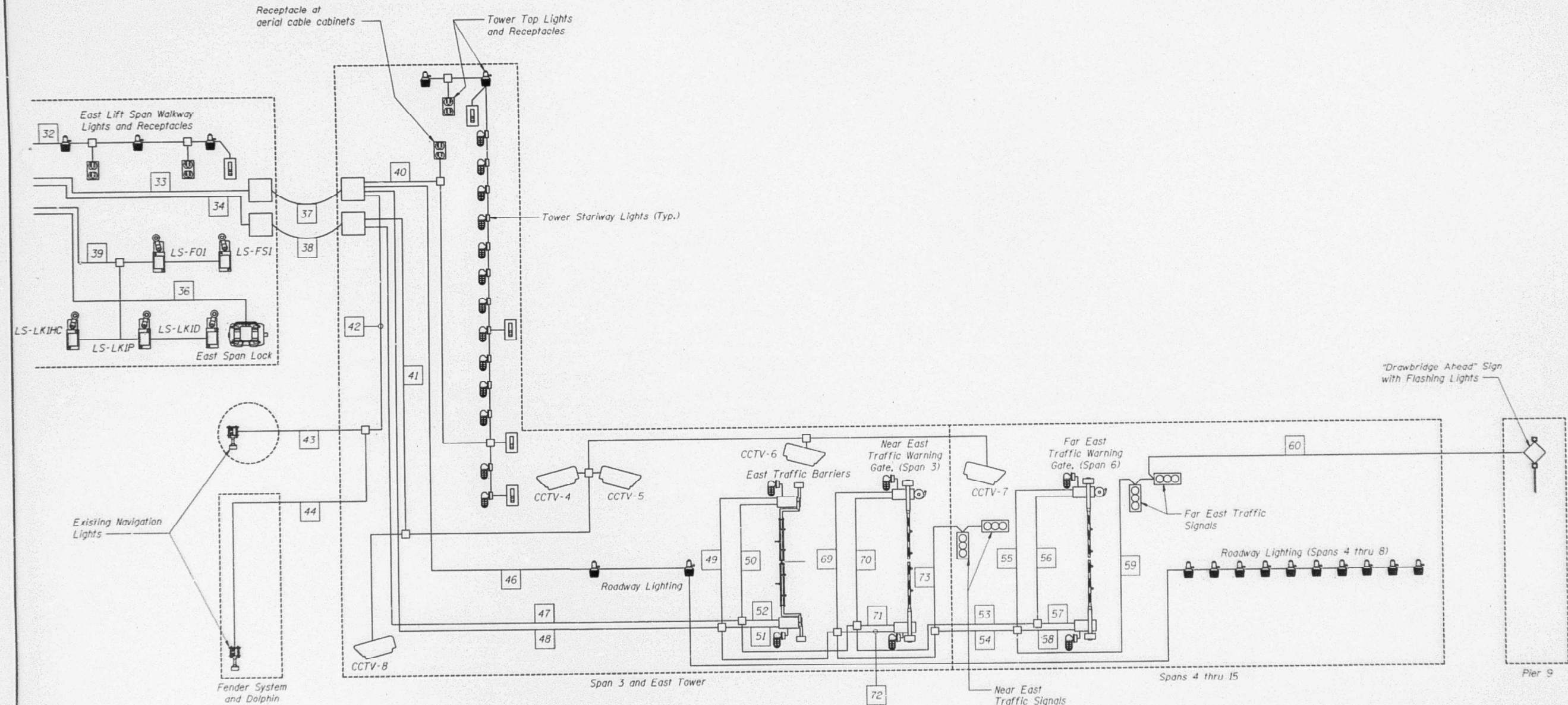
JOE PAGE BRIDGE
WIRING DIAGRAM FROM CONTRACT 76281

SCALE:	SHEET	OF	SHEETS	STA.	TO	STA.
--------	-------	----	--------	------	----	------

F.A.U. RTE.	SECTION	COUNTY	TOTAL SHEETS	SHEET NO.
1292	(531-2-HB)BR 23	GREENE	35	28
CONTRACT NO. 76743				
ILLINOIS FED. AID PROJECT				

STATE OF ILLINOIS
DEPARTMENT OF TRANSPORTATION

ROUTE NO.	SECTION	COUNTY	TOTAL SHEETS	SHEET NO.
266BR	GREENE & CALHOUN	223	150	213
SHEET NO. 140				
213 SHEETS				



NOTES:

1. For notes, see drawing no. E4.

FOR INFORMATION ONLY

BRIDGE WIRING AND CONDUIT LAYOUT - 2
JOE PAGE BRIDGE
OVER THE ILLINOIS RIVER
HARDIN, ILLINOIS
STRUCTURE STATION = 6+70.68
F.A.P. ROUTE 304 (IL 16/100) SECTION 266BR
GREENE AND CALHOUN COUNTIES
STRUCTURE NO. 031-0001

Dwg. No. E6

DESIGNED	NEA
CHECKED	LRB
DRAWN	RLR
CHECKED	NEA



STATE OF ILLINOIS
DEPARTMENT OF TRANSPORTATION

JOE PAGE BRIDGE
WIRING DIAGRAM FROM CONTRACT 76281

F.A.U. RTE.	SECTION	COUNTY	TOTAL SHEETS	SHEET NO.
1292	(531-2-HB)BR 23	GREENE	35	29
CONTRACT NO. 76743				
ILLINOIS FED. AID PROJECT				

SCALE: SHEET OF SHEETS STA. TO STA.

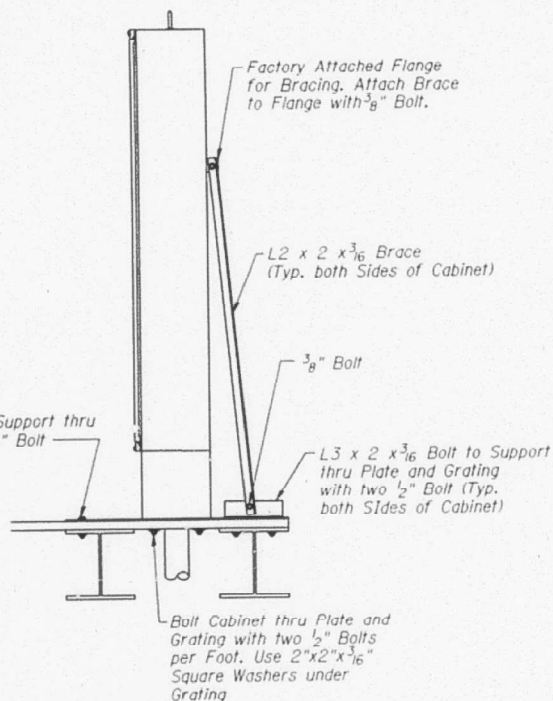
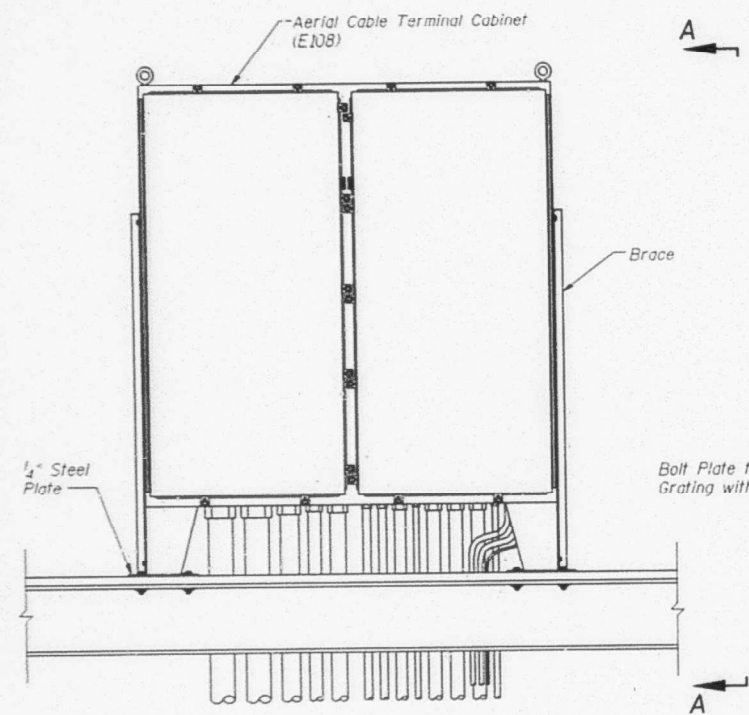
MODEL Path: I:\2022\266BR\0304_CADD\CADD_Sheets\76281-Wiring-14.dgn
 FILE NAME: 76281-Wiring-14.dgn



USER NAME = vnunez	DESIGNED - MG	REVISED -
PLOT SCALE = 2,000' = 1" = 1/4"	DRAWN - VN/NG	REVISED -
PLOT DATE = 7/1/2024	CHECKED - RP	REVISED -
	DATE - 7/1/2024	REVISED -

STATE OF ILLINOIS
DEPARTMENT OF TRANSPORTATION

PROJECT NO.	SECTION	COUNTY	SHEETS	SHEET	SHEET NO. 182
F.A.P. RTE. NO.	266BR	GREENE & CALHOUN	223	192	213 SHEETS
FED. ROAD DIST. NO.	ILLINOIS	FED. AID PROJECT			

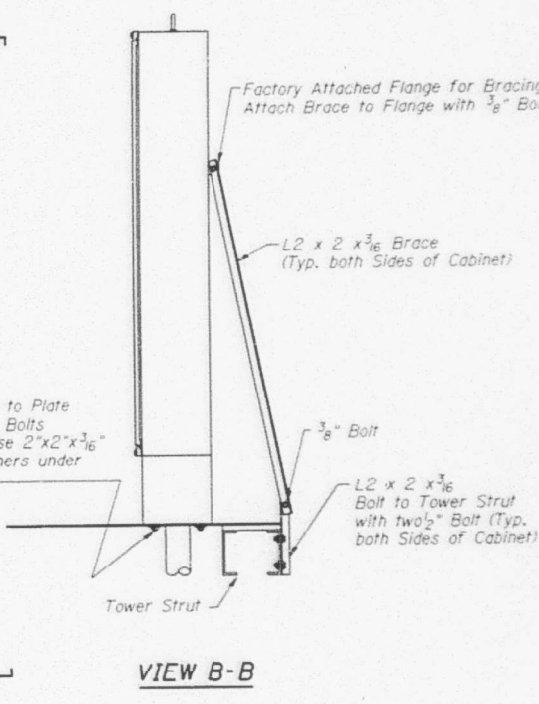
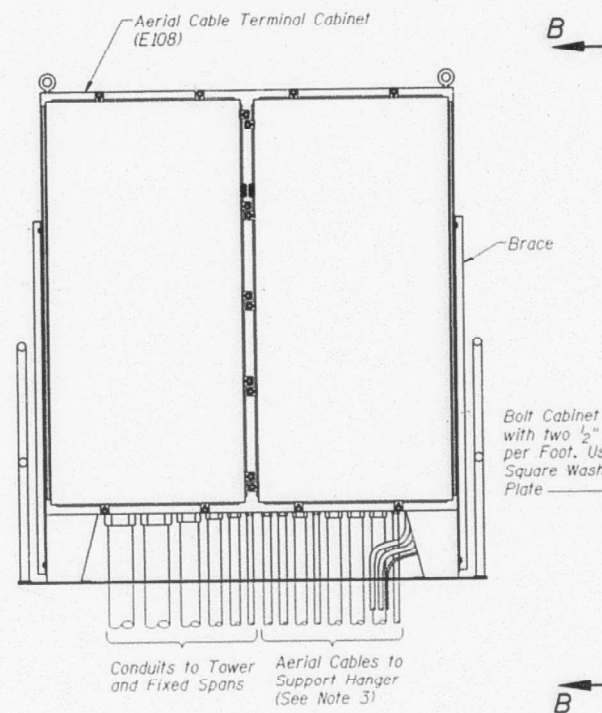


VIEW A-A

LIFT SPAN AERIAL CABLE TERMINAL CABINET

West Cabinet Shown, East Similar

Conduits to Lift Span
Aerial Cables to Support Hanger (See Note 3)



VIEW B-B

TOWER AERIAL CABLE TERMINAL CABINET

West Cabinet Shown, East Similar (See Note 1 and 2)

NOTES:

- All Angles and Plates shall be Stainless Steel or Hot-Dipped Galvanized Steel. All Nuts, Bolts, Washers, and related Hardware shall be Stainless Steel. Utilize Lock Washers on all Connections.
- All Conductors in Terminal Cabinets shall be terminated on heavy duty, Phenolic, Screw Type Terminal Blocks. Keep Power and Control Terminal Blocks separate inside Cabinet.
- Support Aerial Cables between Hanger and Terminal Cabinet at maximum 3'-0" intervals using Stainless Steel Angle and Stainless Steel Cushion Clamps.

DESIGNED	NEA
CHECKED	GLF
DRAWN	TBD
CHECKED	NEA



FOR INFORMATION ONLY

AERIAL CABLE DETAILS - 2
JOE PAGE BRIDGE
OVER THE ILLINOIS RIVER
HARDIN, ILLINOIS
@ STRUCTURE STATION = 6+70.68
F.A.P. ROUTE 304 (IL 16/100) SECTION 266BR
GREENE AND CALHOUN COUNTIES
STRUCTURE NO. 031-0001

Dep. No. E-48

MODEL Path: \\...
FILE NAME: 3122298.0304_CADD\CADD_Sheets\76743_Electrical\45.dgn



USER NAME = vnunez	DESIGNED - MG	REVISED -
PLOT SCALE = 2,000' = 1" = 1/16"	DRAWN - VN/NG	REVISED -
PLOT DATE = 7/1/2024	CHECKED - RP	REVISED -
	DATE - 7/1/2024	REVISED -

STATE OF ILLINOIS
DEPARTMENT OF TRANSPORTATION

JOE PAGE BRIDGE
ELECTRICAL DETAILS FROM CONTRACT 76281

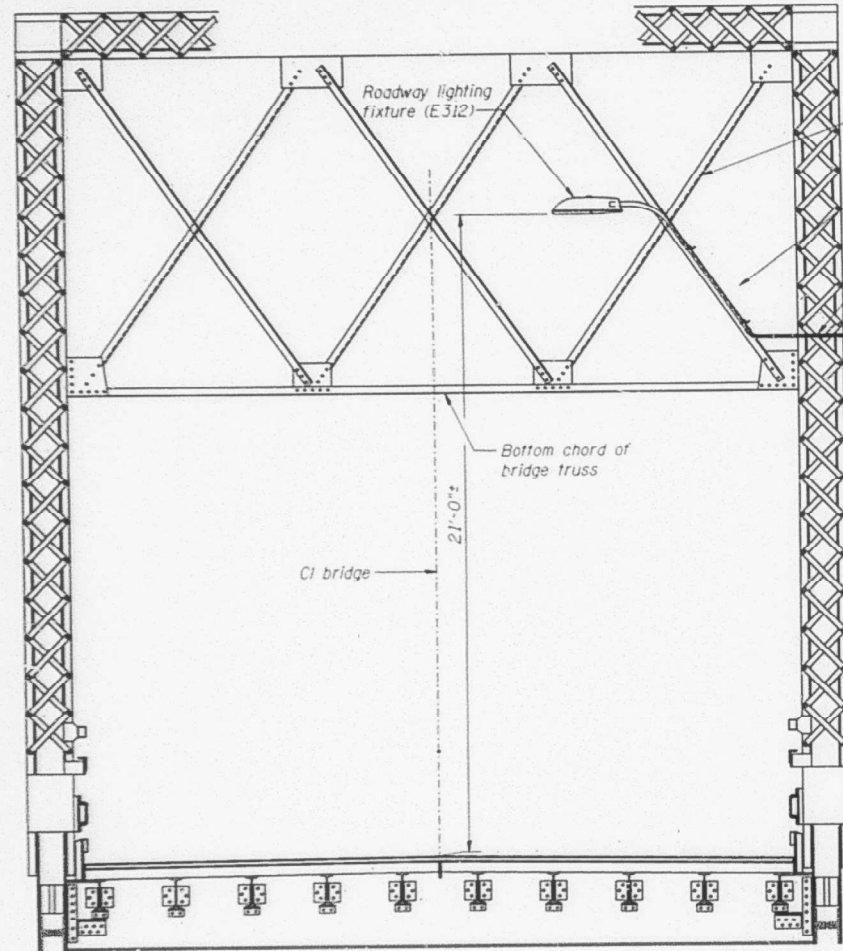
SCALE: SHEET OF SHEETS STA. TO STA.

F.A.U. RTE.	SECTION	COUNTY	TOTAL SHEETS	SHEET NO.
1292	(531-2-HB)BR 23	GREENE	35	30
CONTRACT NO. 76743				
ILLINOIS FED. AID PROJECT				

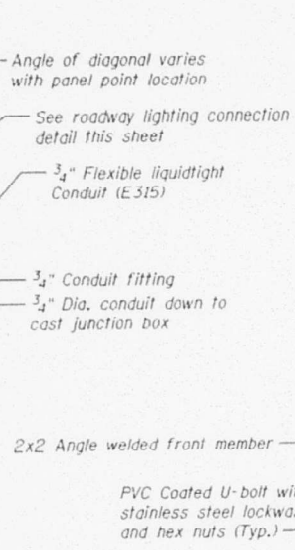
STATE OF ILLINOIS
DEPARTMENT OF TRANSPORTATION

include lighting details

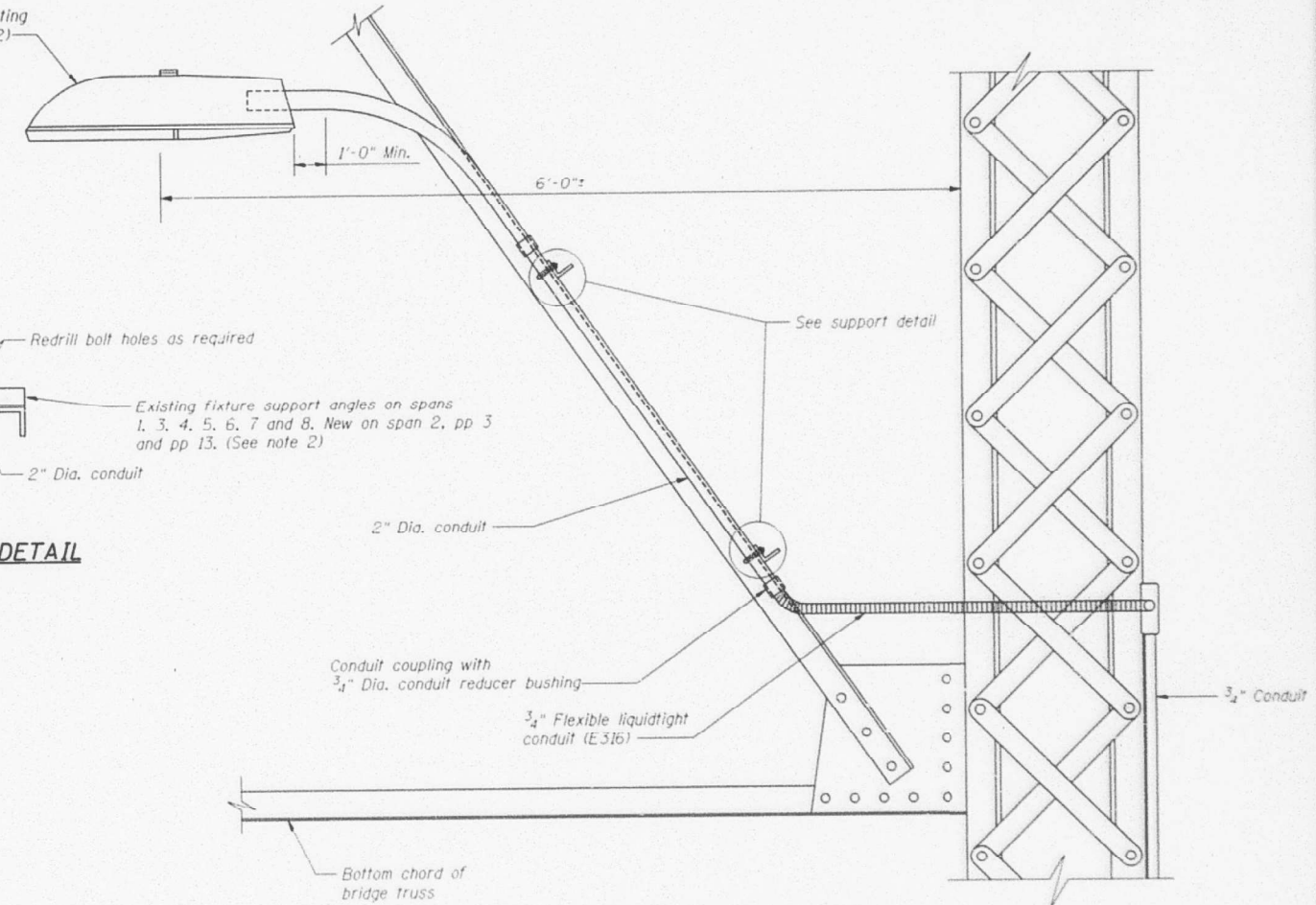
ROUTE NO.	SECTION	COUNTY	SHEETS	NO.	SHEET NO. 178
F.A.P. RTE. 304	266BR	GREENE & CALHOUN	223	188	213 SHEETS
FED. ROAD DIST. NO. 7	ILLINOIS	FED. AID PROJECT			



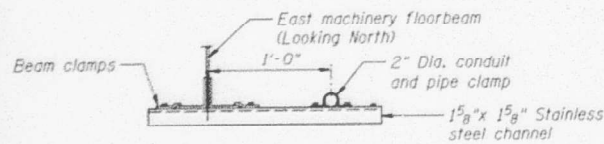
ROADWAY CROSS SECTION



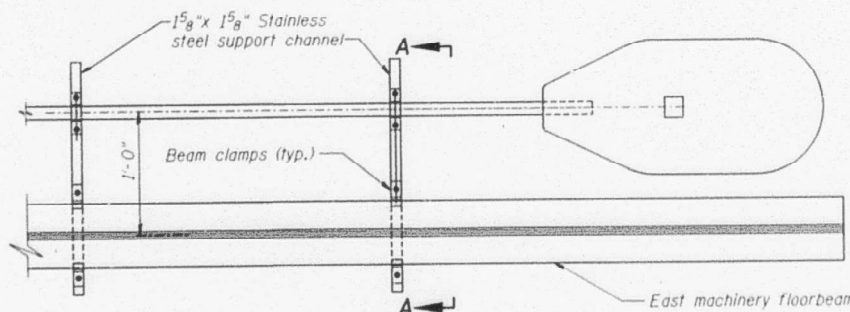
SUPPORT DETAIL



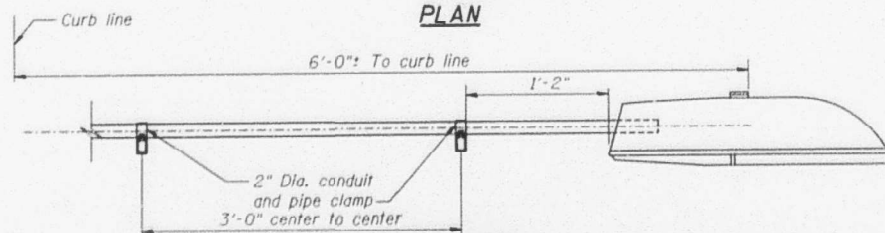
ROADWAY LIGHTING CONNECTION DETAILS



SECTION A-A



PLAN



ELEVATION

SUPPORT DETAILS, FIXTURE L4 ON SPAN 2

FOR INFORMATION ONLY

NOTES:

1. Minimum 1'-0" required at rear of fixture to facilitate ballast door removal
2. Replace any support angles that may be missing, damaged or showing significant section loss.
3. All hardware shall be corrosion resistant.

ROADWAY LIGHTING DETAILS- 2
JOE PAGE BRIDGE
OVER THE ILLINOIS RIVER
HARDIN, ILLINOIS
STRUCTURE STATION = 6+70.68
F.A.P. ROUTE 304 (IL 16/100) SECTION 266BR
GREENE AND CALHOUN COUNTIES
STRUCTURE NO. 031-0001

Dwg. No. E44

DESIGNED	GLF
CHECKED	LRB
DRAWN	ELS
CHECKED	GLF



STATE OF ILLINOIS
DEPARTMENT OF TRANSPORTATION

JOE PAGE BRIDGE
ELECTRICAL DETAILS FROM CONTRACT 76281

F.A.U. RTE.	SECTION	COUNTY	TOTAL SHEETS	SHEET NO.
1292	(531-2-HB)BR 23	GREENE	35	31
CONTRACT NO. 76T43				
ILLINOIS		FED. AID PROJECT		

SCALE: SHEET OF SHEETS STA. TO STA.

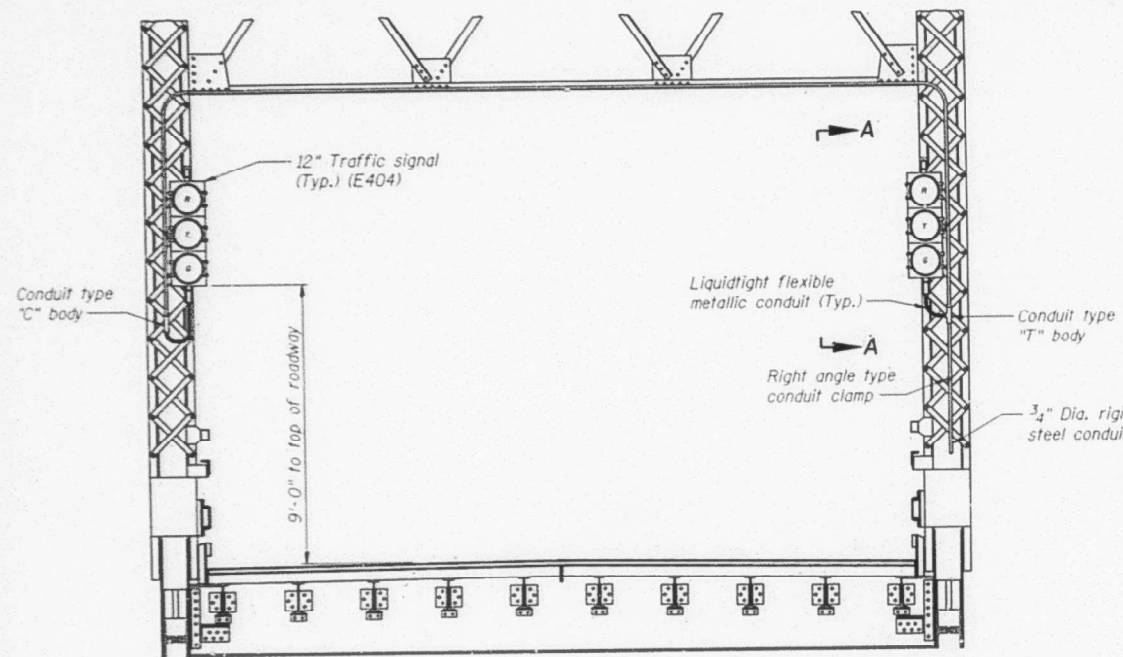
SINGH
SINGH & ASSOCIATES INC.
CONSULTING ENGINEERS

USER NAME = vnunez	DESIGNED - MG	REVISED -
PLOT SCALE = 2,0000"/1 in.	DRAWN - VN/NG	REVISED -
PLOT DATE = 7/1/2024	CHECKED - RP	REVISED -
	DATE - 7/1/2024	REVISED -

MODEL Path: I:\2022\2025\0304_CADD\CADD_Sheets\76T43_Electrical.dwg

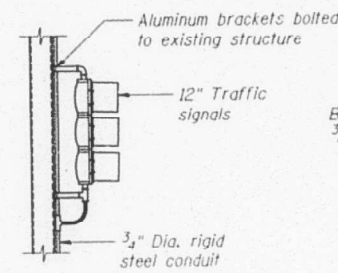
STATE OF ILLINOIS
DEPARTMENT OF TRANSPORTATION

ROUTE NO.	SECTION	COUNTY	SHEETS	SHEET NO.	SHEET NO.
F.A.P. RTE. 304	266BR	GREENE & CALHOUN	223	175	213 SHEETS
FED. ROAD DIST. NO. 7	DIVISION	FED. AID PROJECT			

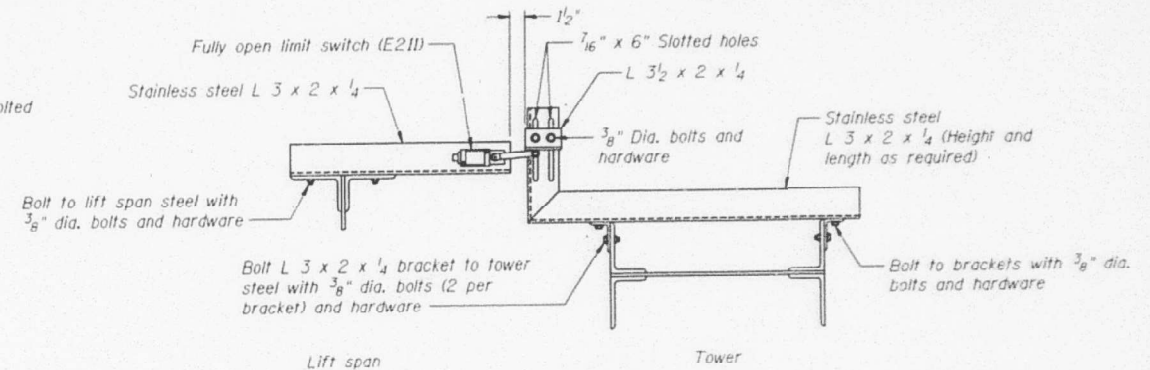


TRAFFIC SIGNAL DETAIL

Span 6 shown - Span 6 (U4-L4)
Span 1 similar - Span 1 (U1-L1)
Span 3 similar - Span 3 (U8-L8)

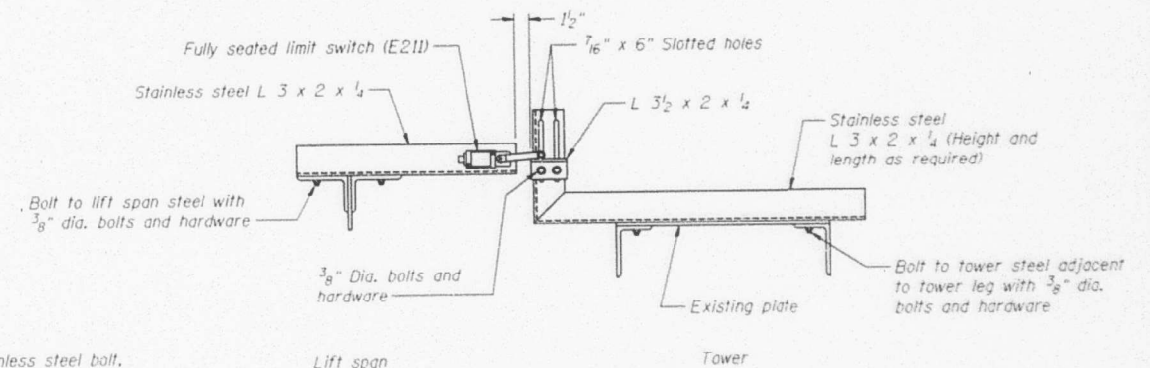


VIEW A-A



FULLY OPEN LIMIT SWITCH DETAIL

Shown with span fully open
(Typical of two)
(See notes 1 and 3)

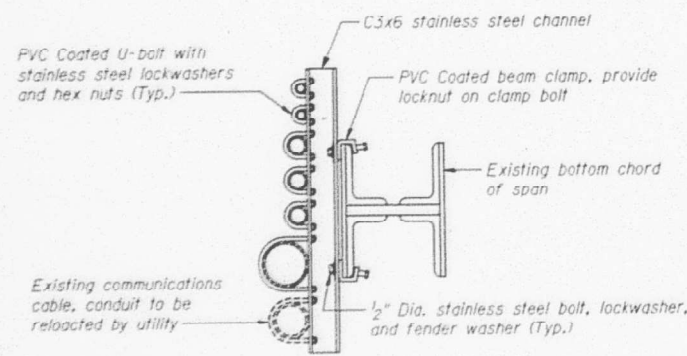


FULLY SEATED LIMIT SWITCH DETAIL

Shown with span fully seated
(Typical of two)
(See notes 1, 2 and 3)

NOTES:

1. Dimensions shown are approximate. Contractor shall be responsible for determining exact dimensions necessary based on actual devices selected and field measurements.
2. Remove existing fully seated limit switch trip plates.
3. Mount switches adjacent to existing fully seated limit switch location.

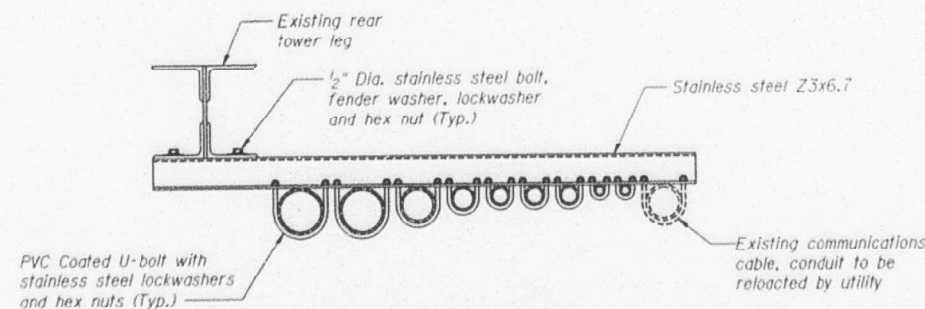
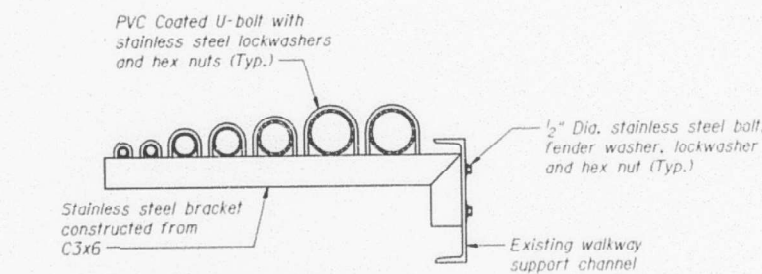


FIXED SPANS CONDUITS SUPPORT BRACKET DETAIL

Span 1 conduits shown, other spans similar

LIFT SPAN CONDUITS SUPPORT BRACKET DETAIL

West conduits shown, east similar



TOWER CONDUITS SUPPORT BRACKET DETAIL

West conduits shown, east similar

FOR INFORMATION ONLY

MISCELLANEOUS ELECTRICAL DETAILS - 3
JOE PAGE BRIDGE
OVER THE ILLINOIS RIVER
HARDIN, ILLINOIS
STRUCTURE STATION = 6+70.68
F.A.P. ROUTE 304 (IL 16/100) SECTION 266BR
GREENE AND CALHOUN COUNTIES
STRUCTURE NO. 031-0001

Dwg. No. E51

DESIGNED	NEA
CHECKED	LRB
DRAWN	RLR
CHECKED	GLF



STATE OF ILLINOIS
DEPARTMENT OF TRANSPORTATION

JOE PAGE BRIDGE
ELECTRICAL DETAILS FROM CONTRACT 76281

SCALE: SHEET OF SHEETS STA. TO STA.

F.A.U. RTE.	SECTION	COUNTY	TOTAL SHEETS	SHEET NO.
1292	(531-2-HB)BR 23	GREENE	35	32
CONTRACT NO. 76T43				
ILLINOIS FED. AID PROJECT				

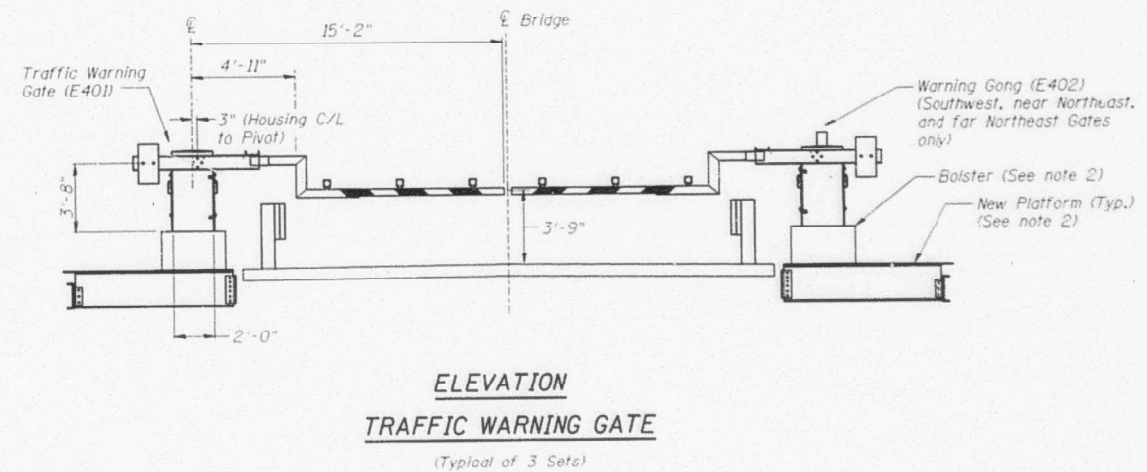
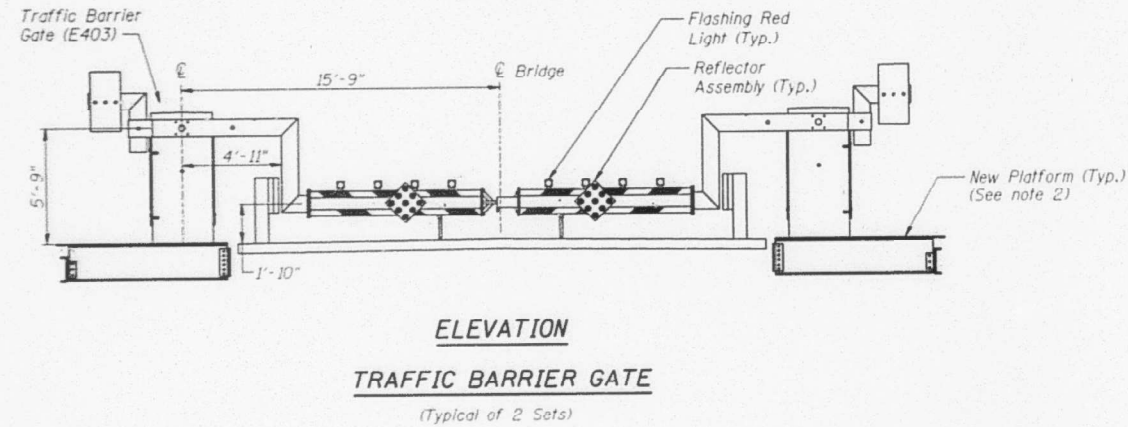
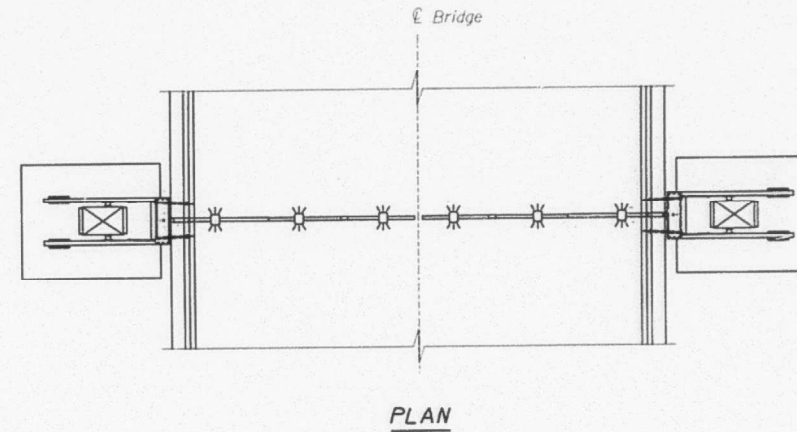
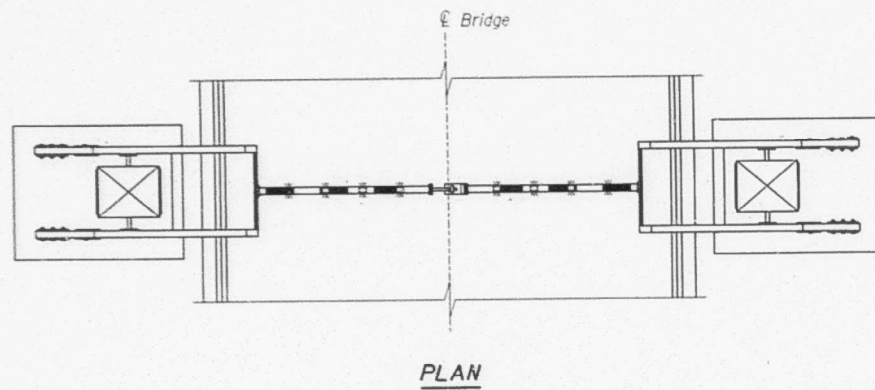
MODEL Path: J:\22298\0304_CADD\CADD_Sheets\76T43\elch17.dgn
FILE NAME: J:\22298\0304_CADD\CADD_Sheets\76T43\elch17.dgn

SINGH
SINGH & ASSOCIATES INC.
CONSULTING ENGINEERS

USER NAME = vnunez	DESIGNED - MG	REVISED -
PLOT SCALE = 2,000' = 1" = 1/4"	DRAWN - VN/NG	REVISED -
PLOT DATE = 7/1/2024	CHECKED - RP	REVISED -
	DATE - 7/1/2024	REVISED -

STATE OF ILLINOIS
DEPARTMENT OF TRANSPORTATION

ROUTE NO.	SECTION	COUNTY	TOTAL SHEETS	SHEET NO.
266BR	GREENE & CALHOUN	223	189	179
SHEET NO. 179				
213 SHEETS				



- NOTES:**
- Contractor shall verify all Dimensions and submit detailed Shop Drawings showing Gates and Barriers in relationship to Roadway, Railings, Platforms, and other Structural Elements.
 - See Structural Drawings for Platform Details.

DESIGNED	NEA
CHECKED	GLF
DRAWN	TBD
CHECKED	NEA



TRAFFIC GATES AND BARRIERS
JOE PAGE BRIDGE
OVER THE ILLINOIS RIVER
HARDIN, ILLINOIS
@ STRUCTURE STATION = 6+70.68
F.A.P. ROUTE 304 (IL 16/100) SECTION 266BR
GREENE AND CALHOUN COUNTIES
STRUCTURE NO. 031-0001

FOR INFORMATION ONLY

Dwg. No. E45

MODEL Path: J:\222983\0304_CADD\CADD_Sheets\76743\E45.dwg

SINGH
SINGH & ASSOCIATES INC.
CONSULTING ENGINEERS

USER NAME	= vnunez
PLOT SCALE	= 2,0000"=1in.
PLOT DATE	= 7/1/2024

DESIGNED	- MG
DRAWN	- VN/NG
CHECKED	- RP
DATE	- 7/1/2024

REVISED	-
REVISED	-
REVISED	-
REVISED	-

STATE OF ILLINOIS
DEPARTMENT OF TRANSPORTATION

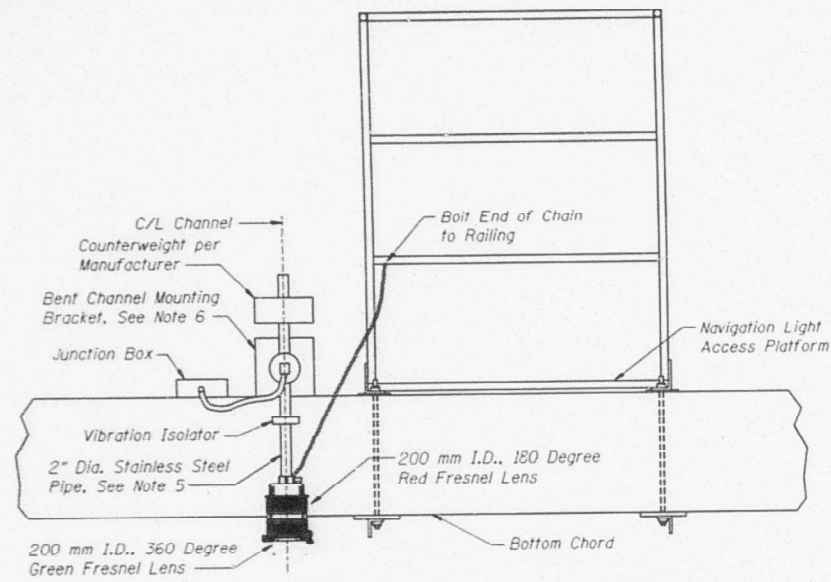
JOE PAGE BRIDGE
ELECTRICAL DETAILS FROM CONTRACT 76281

SCALE: SHEET OF SHEETS STA. TO STA.

F.A.U. RTE.	SECTION	COUNTY	TOTAL SHEETS	SHEET NO.
1292	(531-2-HB)BR 23	GREENE	35	33
CONTRACT NO. 76743				
ILLINOIS FED. AID PROJECT				

STATE OF ILLINOIS
DEPARTMENT OF TRANSPORTATION

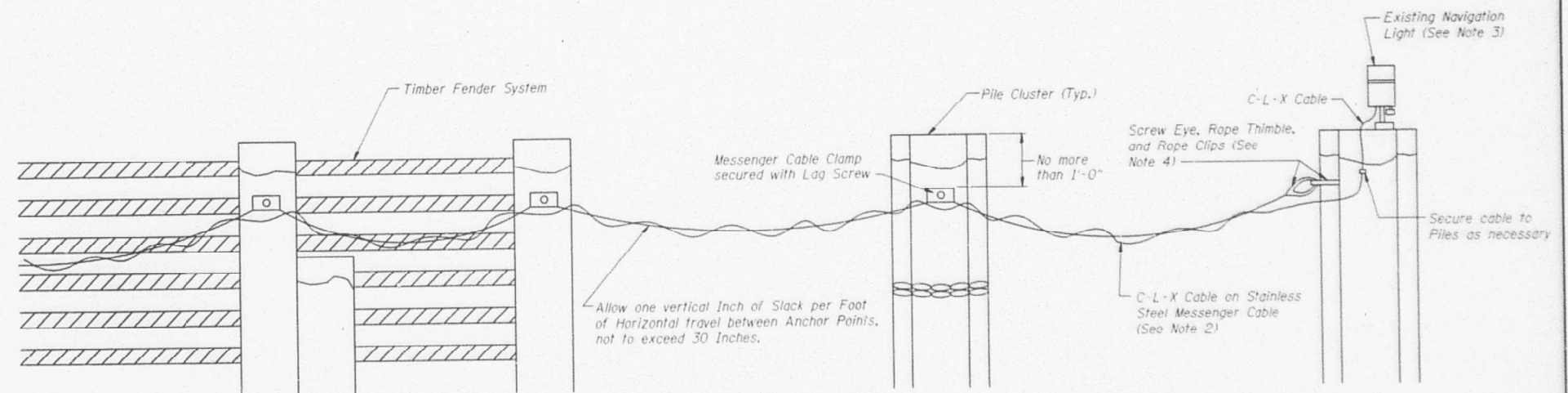
ROUTE NO.	SECTION	COUNTY	STA.	POST	SHEET NO. 180
	266BR	GREENE & CALHOUN	223	198	213 SHEETS
F.A.P. NO.	ILLINOIS				FED. AID PROJECT:



SPAN NAVIGATION LIGHT
(Typical of two)
South Light Shown. North Similar. (E301)

NOTES:

- Messenger cable and hardware shall be sized as recommended by the cable manufacturer, all hardware shall be corrosion resistant.
- Secure C-L-X cable to messenger cable by wrapping C-L-X around messenger, approximately once per foot, and securing with stainless steel straps at messenger anchor points, or as recommended by manufacturer.
- Replace lamp change relay and associated wiring with new.
- Secure messenger cables at bridge piers and dolphins in similar manner.
- Shaft length shall be determined in the field such that the entire 360 Degree Green Lens is positioned just below the bottom Chord.
- Mounting Bracket shall be similar to existing, constructed of Galvanized Steel, Bolt to bottom Chord using existing Holes and Stainless Steel Hardware.



FENDER SYSTEM NAVIGATION LIGHTS CABLE
(Typical of four)
(See Note 1)

DESIGNED	NEA
CHECKED	GLF
DRAWN	TBD
CHECKED	NEA



NAVIGATION LIGHT DETAILS
JOE PAGE BRIDGE
OVER THE ILLINOIS RIVER
HARDIN, ILLINOIS
@ STRUCTURE STATION = 6+70.68
F.A.P. ROUTE 304 (IL 16/100) SECTION 266BR
GREENE AND CALHOUN COUNTIES
STRUCTURE NO. 031-0001

FOR INFORMATION ONLY

Dwg. No. E46

MODEL Path: \\...
FILE NAME: 3122298.0304_CADD\CADD_Sheets\76243.dwg



USER NAME = vnunez	DESIGNED - MG	REVISED -
PLOT SCALE = 2,000' = 1" IN.	DRAWN - VN/NG	REVISED -
PLOT DATE = 7/1/2024	CHECKED - RP	REVISED -
	DATE - 7/1/2024	REVISED -

STATE OF ILLINOIS
DEPARTMENT OF TRANSPORTATION

JOE PAGE BRIDGE
ELECTRICAL DETAILS FROM CONTRACT 76281

SCALE: SHEET OF SHEETS STA. TO STA.

F.A.U. RTE.	SECTION	COUNTY	TOTAL SHEETS	SHEET NO.
1292	(531-2-HB)BR 23	GREENE	35	34
CONTRACT NO. 76243				
ILLINOIS FED. AID PROJECT				



FOR INFORMATION ONLY

MODEL: D:\info\1
 FILE NAME: J:\222928\0304_CADD\CADD_Sheets\76T43\Sheet-35.dgn



USER NAME = vnunez	DESIGNED - MG	REVISED -
	DRAWN - VN/NG	REVISED -
PLOT SCALE = 2,0000' = 1/4"	CHECKED - RP	REVISED -
PLOT DATE = 7/1/2024	DATE - 7/1/2024	REVISED -

STATE OF ILLINOIS
DEPARTMENT OF TRANSPORTATION

JOE PAGE BRIDGE
ELECTRICAL DETAILS FROM CONTRACT 76281

SCALE: SHEET OF SHEETS STA. TO STA.

F.A. U. RTE.	SECTION	COUNTY	TOTAL SHEETS	SHEET NO.
1292	(531-2-HB)BR 23	GREENE	35	35
CONTRACT NO. 76T43				
ILLINOIS FED. AID PROJECT				