

F.A.P. RTE.	SECTION	COUNTY	TOTAL SHEETS	SHEET NO.
573	(111VBR)BP	LEE	8	1
		ILLINOIS	CONTRACT NO. 64S90	

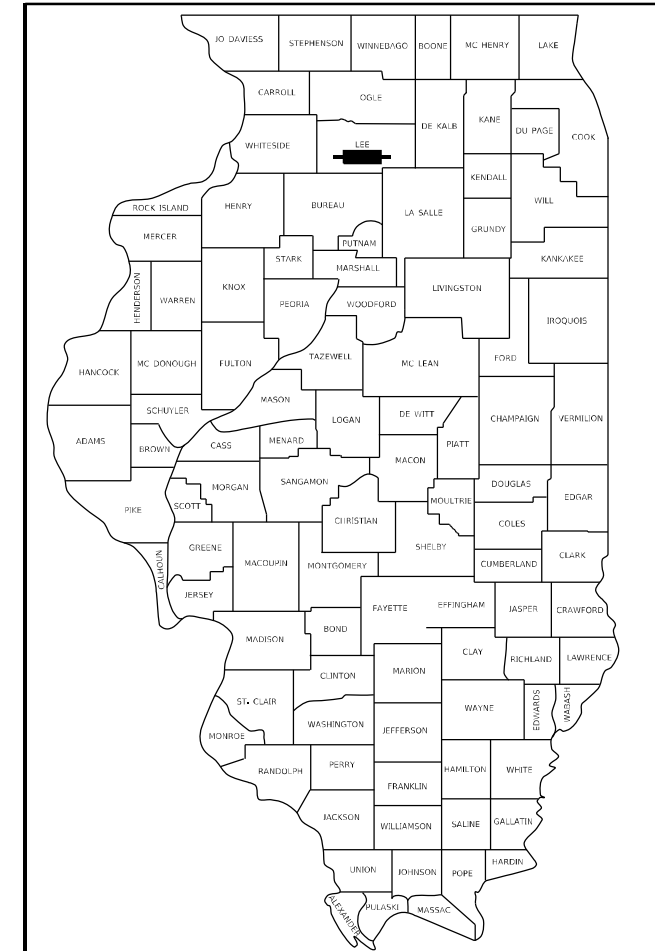
DEPARTMENT OF TRANSPORTATION

PROPOSED HIGHWAY PLANS

FAP 573 (US 30)
 SECTION: (111VBR)BP
 PROJECT: STP-PF5J(608)
 TYPE of IMPROVEMENT: BRIDGE PAINTING
 LEE COUNTY

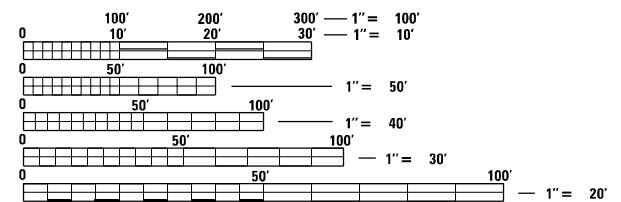
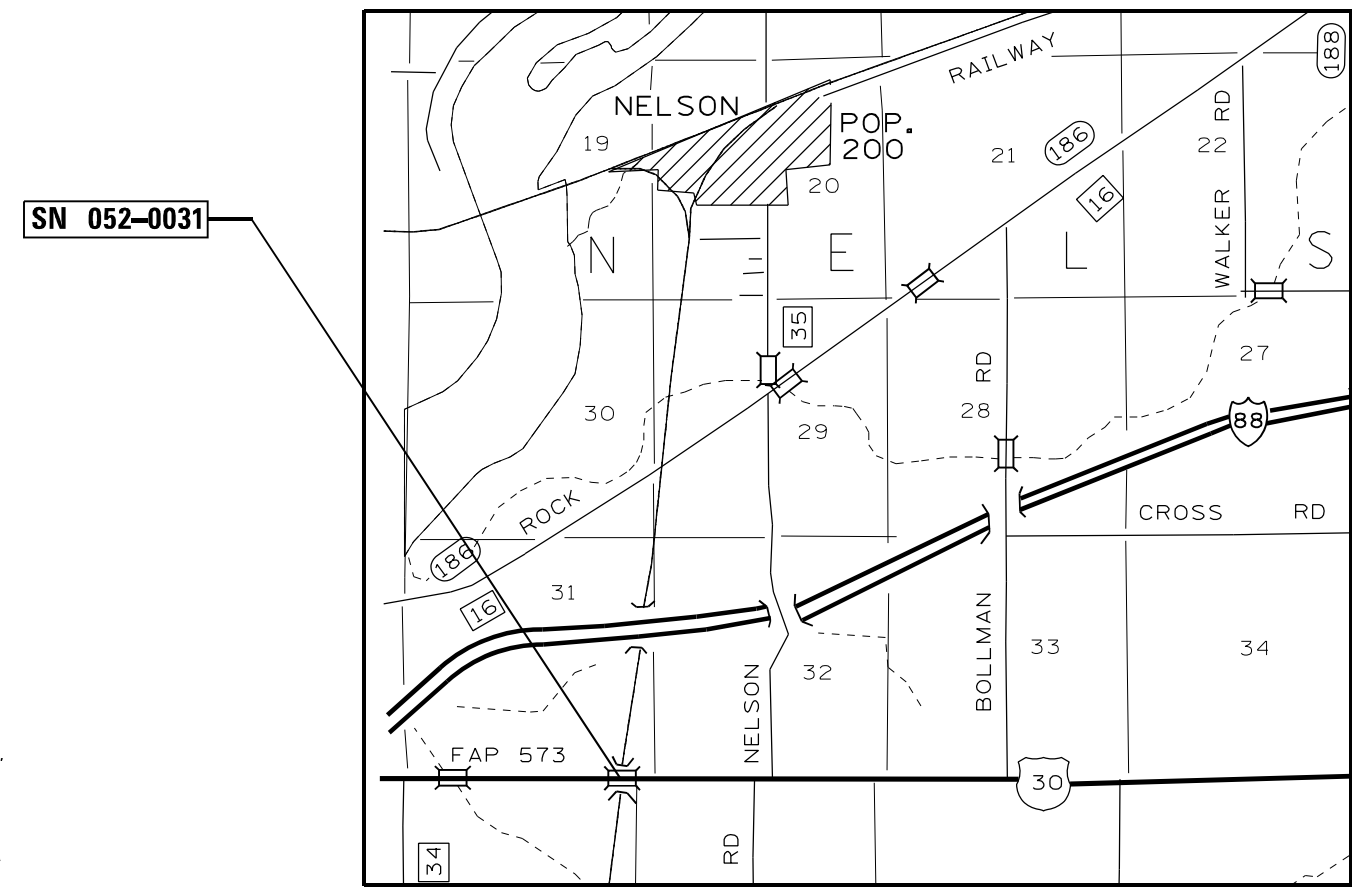
FOR INDEX OF SHEETS, SEE SHEET NO. 2
 FOR STATE STANDARDS, SEE SHEET NO. 2

D-92-042-24



LOCATION OF SECTION INDICATED THIS: - [black rectangle] -

C-92-006-24



FULL SIZE PLANS HAVE BEEN PREPARED USING STANDARD ENGINEERING SCALES. REDUCED SIZED PLANS WILL NOT CONFORM TO STANDARD SCALES. IN MAKING MEASUREMENTS ON REDUCED PLANS, THE ABOVE SCALES MAY BE USED.

J.U.L.I.E.
 JOINT UTILITY LOCATION INFORMATION FOR EXCAVATION
 1-800-892-0123
 OR 811

PROJECT ENGINEER: DAVID DOSS (815) 284-5416
 PROJECT MANAGER: MAHMOUD ETEMADI (815) 284-5393

CONTRACT NO. 64S90

STATE OF ILLINOIS
 DEPARTMENT OF TRANSPORTATION

SUBMITTED Nov 28, 2023

David Doss
 REGIONAL ENGINEER

May 10, 2024 *[Signature]*
 ENGINEER OF DESIGN AND ENVIRONMENT

May 10, 2024 *[Signature]*
 DIRECTOR OF HIGHWAYS PROJECT IMPLEMENTATION

PRINTED BY THE AUTHORITY
 OF THE STATE OF ILLINOIS

INDEX OF SHEETS

- 1 COVER SHEET
- 2 INDEX OF SHEETS / STATE STANDARDS / GENERAL NOTES
- 3 SUMMARY OF QUANTITIES
- 4 EXISTING ROADWAY TYPICAL
- 5 STAGING TYPICALS (SN 052-0031)
- 6-7 TRAFFIC CONTROL & PROTECTION, STANDARD 701321 (SPECIAL)
- 8 UPRR MINIMUM CONSTRUCTION CLEARANCE ENVELOPE

STATE STANDARDS

- 701101-05 OFF-ROAD OPERATIONS, MULTILANE, 15' (4.5m) TO 24'' (600mm) FROM PAVEMENT EDGE
- 701201-05 LANE CLOSURE, 2L, 2W, DAY ONLY, FOR SPEEDS > 45 MPH
- 701301-04 LANE CLOSURE, 2L, 2W, SHORT TIME OPERATIONS
- 701901-09 TRAFFIC CONTROL DEVICES
- 704001-08 TEMPORARY CONCRETE BARRIER
- 720011-01 METAL POSTS FOR SIGNS, MARKERS & DELINEATORS
- 728001-01 TELESCOPING STEEL SIGN SUPPORT
- 729001-01 APPLICATIONS OF TYPES A & B METAL POSTS (FOR SIGNS & MARKERS)

GENERAL NOTES

LOCATION 1 - SN 052-0031

THE CONTRACTOR SHALL SEED ALL DISTURBED AREAS WITHIN THE PROJECT LIMITS. SEEDING CLASS 2A SHALL BE USED. THIS WORK WILL BE INCLUDED IN THE CONTRACT UNIT PRICE PER LUMP SUM FOR CLEANING AND PAINTING STEEL BRIDGE NO. 1.

FERTILIZER SHALL BE APPLIED TO ALL DISTURBED AREAS AND INCORPORATED INTO THE SEEDBED PRIOR TO SEEDING OR PLACEMENT OF SOD AT THE RATE SPECIFIED IN SECTIONS 250 AND 252 OF THE STANDARD SPECIFICATIONS. THIS WORK SHALL BE INCLUDED IN THE COST OF CLEANING AND PAINTING STEEL BRIDGE NO. 1.

MULCH METHOD II SHALL BE APPLIED OVER ALL SEEDED AREAS. THIS SHALL BE INCLUDED IN THE COST OF THE CLEANING AND PAINTING STEEL BRIDGE NO. 1.

LOCATION 1 SN 052-0031

ALL BORROW/WASTE/USE SITES MUST BE APPROVED BY THE DEPARTMENT PRIOR TO REMOVING ANY MATERIAL FROM THE PROJECT OR INITIATING ANY EARTHMOVING ACTIVITIES, INCLUDING TEMPORARY STOCKPILING OUTSIDE THE LIMITS OF CONSTRUCTION.

TEMPORARY IMPACT ATTENUATORS WILL BE MEASURED AS EACH FOR EACH ATTENUATOR SUPPLIED ON THE JOB AS SPECIFIED IN THE PLANS, AND SHALL INCLUDE THE COST OF RENTING/OWNING THE ATTENUATOR FOR THE TIME REQUIRED ON THE JOB PLUS HAULING TO AND FROM THE PROJECT SITE, AS WELL AS ONE PLACEMENT AND REMOVAL FROM THE ROADWAY. THIS SHALL BE PAID FOR AT THE CONTRACT UNIT PRICE PER EACH FOR IMPACT ATTENUATORS, TEMPORARY OF THE TYPE SPECIFIED.

RELOCATE TEMPORARY IMPACT ATTENUATOR WILL BE PAID FOR AS EACH AND WILL BE PAID FOR EACH TIME THE ATTENUATOR IS REQUIRED BY STAGING TO BE PICKED UP AND MOVED TO A DIFFERENT LOCATION ON THE PROJECT, WHETHER IT IS TO ANOTHER LOCATION ON THE ROADWAY OR TO A STORAGE/STAGING LOCATION FOR THE PROJECT. THIS SHALL BE PAID FOR AT THE CONTRACT UNIT PRICE PER EACH FOR IMPACT ATTENUATORS, RELOCATE OF THE TYPE SPECIFIED.

THIS WORK SHALL BE DONE IN ACCORDANCE WITH SECTION 704 OF THE STANDARD SPECIFICATIONS. TEMPORARY CONCRETE BARRIER WILL BE MEASURED IN FEET ALONG THE CENTERLINE OF THE BARRIER AND SHALL INCLUDE THE COST OF RENTING/OWNING THE BARRIER FOR THE TIME REQUIRED ON THE JOB PLUS HAULING TO AND FROM THE PROJECT SITE, AS WELL AS ONE PLACEMENT AND REMOVAL FROM THE ROADWAY IN ACCORDANCE WITH SECTION 704 OF THE STANDARD AND SPECIFICATION. THIS SHALL BE PAID FOR AT THE CONTRACT UNIT PRICE PER FOOT FOR TEMPORARY CONCRETE BARRIER.

RELOCATE TEMPORARY CONCRETE BARRIER WILL BE PAID FOR IN FEET ALONG THE CENTERLINE OF THE BARRIER, AND WILL BE PAID FOR EACH TIME THE BARRIER IS REQUIRED BY STAGING TO BE PICKED UP AND MOVED TO A DIFFERENT LOCATION ON THE PROJECT, WHETHER IT IS TO ANOTHER LOCATION ON THE ROADWAY OR TO A STORAGE/STAGING LOCATION FOR THE PROJECT. THIS SHALL BE PAID FOR AT THE CONTRACT UNIT PRICE PER FOOT FOR RELOCATE TEMPORARY CONCRETE BARRIER.

THE CONTRACTOR SHALL BE RESPONSIBLE FOR PROTECTING UTILITY PROPERTY DURING CONSTRUCTION OPERATIONS AS OUTLINED IN ARTICLE 107.31 OF THE STANDARD SPECIFICATIONS. A MINIMUM OF 48 HOURS ADVANCE NOTICE IS REQUIRED FOR NON-EMERGENCY WORK. THE JULIE NUMBER IS 800-892-0123.

THE SSPC QP1 & QP2 CONTRACT CERTIFICATIONS WILL BE REQUIRED FOR THIS CONTRACT.

~~A MINIMUM OF 2 AIR MONITORS WILL BE REQUIRED TO MONITOR ABRASIVE BLASTING OPERATIONS, SEE SPECIAL PROVISION FOR "CONTAINMENT AND DISPOSAL OF LEAD PAINT CLEANING RESIDUES".~~

Containment of cleaning residue is required to control nuisance dust. See special provisions.

MODEL: Default
 FILE: \\naulic-pw-beachery.com\FW\DOT\Documents\1\DOT Office\Dir\trfr. 2\Project\Operations\Bridg Section\Lee052-0031\64590\CAD\64590-ehh-cover.dgn

USER NAME = David.Doss	DESIGNED - _____	REVISED - _____
	DRAWN - _____	REVISED - _____
PLOT SCALE = 40,0000 * / in.	CHECKED - _____	REVISED - _____
PLOT DATE = Sep-11-2023 09:58:26 AM	DATE - _____	REVISED - _____

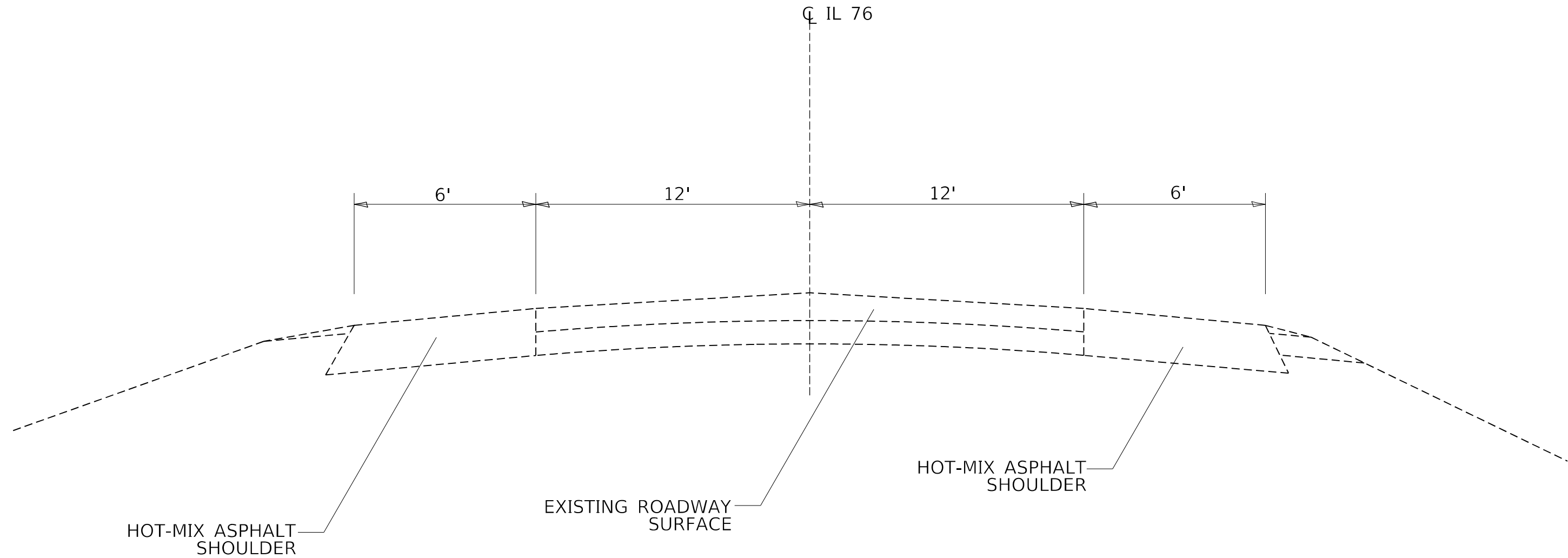
**STATE OF ILLINOIS
DEPARTMENT OF TRANSPORTATION**

**INDEX OF SHEETS,
STATE STANDARDS & GENERAL NOTES**

SCALE: _____ SHEET ____ OF ____ SHEETS STA. _____ TO STA. _____

F.A.P. RTE.	SECTION	COUNTY	TOTAL SHEETS	SHEET NO.
573	(111VBR)BP	LEE	7	2
CONTRACT NO. 64590				
ILLINOIS FED. AID PROJECT				

EXISTING TYPICAL SN 052-0031



MODEL: Default
 FILE: Model: p:\ultra-cw-beadray.com\P\INDOT\Documents\INDOT_Offices\District_2\Project\Operations\Bridges_Section\Lee052-0031\64590\CAD\64590-shr-cover.dgn

HOT-MIX ASPHALT SHOULDER

EXISTING ROADWAY SURFACE

HOT-MIX ASPHALT SHOULDER

Q IL 76

6'

12'

12'

6'

STATE OF ILLINOIS
DEPARTMENT OF TRANSPORTATION

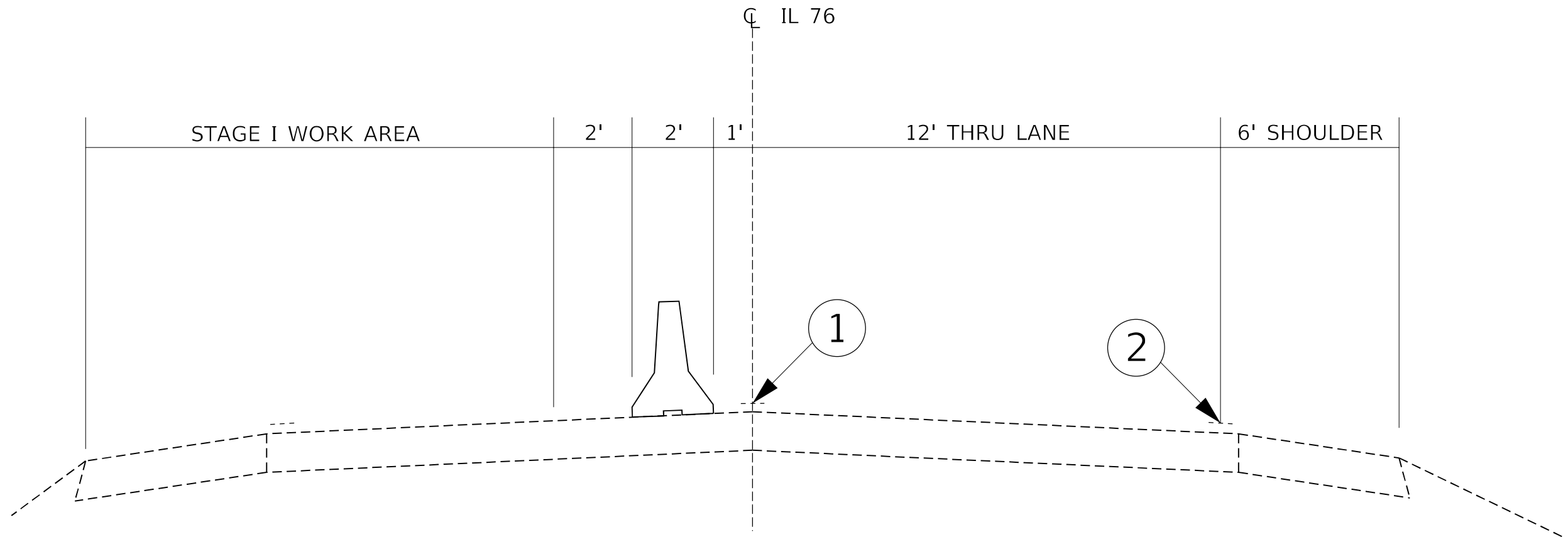
EXISTING TYPICAL
SN 052-0031

USER NAME = David.Doss	DESIGNED - _____	REVISED - _____
	DRAWN - _____	REVISED - _____
PLOT SCALE = 40,0000 * / in.	CHECKED - _____	REVISED - _____
PLOT DATE = Aug-14-2023 01:17:46 PM	DATE - _____	REVISED - _____

SCALE: _____ SHEET ___ OF ___ SHEETS STA. _____ TO STA. _____

F.A.P. RTE.	SECTION	COUNTY	TOTAL SHEETS	SHEET NO.
573	(111VBR)BP	LEE	7	4
ILLINOIS FED. AID PROJECT			CONTRACT NO. 64590	

STAGING TYPICAL SN 052-0031



- ① TEMPORARY PAVEMENT MARKING TAPE SHALL BE PLACED THROUGHOUT THE TAPER AND ALONG-SIDE THE WORK AREA. THE RIGHT EDGE LINE SHALL BE WHITE AND THE LEFT EDGE LINE SHALL BE YELLOW.
- ② EXISTING PAVEMENT MARKING LINE

MODEL: Default
 FILE: \\naulc-pw-backend.com\P\DOT\Documents\DOT Office\District 2\Project\Operations\Bridge - Section\ae052-0031\64590\CAD\64590-ehh-over.dgn

USER NAME = David.Doss	DESIGNED - _____	REVISED - _____
	DRAWN - _____	REVISED - _____
PLOT SCALE = 40,0000 * / in.	CHECKED - _____	REVISED - _____
PLOT DATE = Aug-14-2023 01:17:52 PM	DATE - _____	REVISED - _____

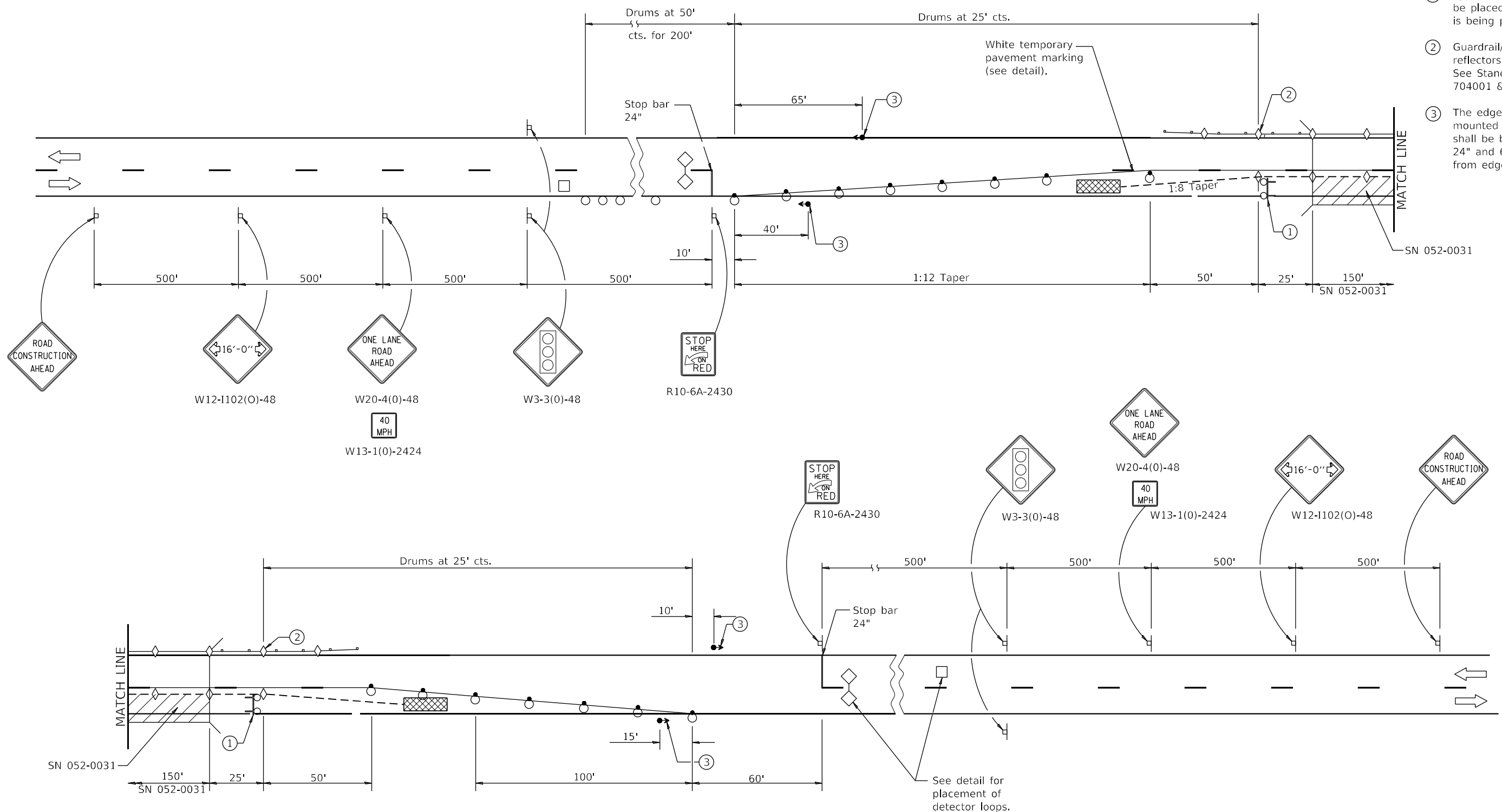
**STATE OF ILLINOIS
DEPARTMENT OF TRANSPORTATION**

**STAGING TYPICAL
SN 052-0031**

SCALE: _____ SHEET ____ OF ____ SHEETS STA. _____ TO STA. _____

F.A.P. RTE.	SECTION	COUNTY	TOTAL SHEETS	SHEET NO.
573	(111VBR)BP	LEE	7	5
CONTRACT NO. 64590				
ILLINOIS FED. AID PROJECT				

- ① Type III barricade to be placed when no work is being performed.
- ② Guardrail/barrier wall reflectors at 25' cts. See Standards 704001 & 782006.
- ③ The edge of the post mounted signal head shall be between 24" and 6' from edge of shoulder.



SYMBOLS

- | | | |
|---|---|---|
| Work area | Drum with steady burning bi-directional light | Detector loops |
| Sign | Temporary concrete barrier | Impact attenuator |
| Type III barricade with flashing lights | Temporary rumble strip (when specified) | Crystal, bidirectional guardrail/barrier wall reflector |
| Traffic signal | Double vertical panel (see detail) | Drum |

MODEL: Default
 FILE NAME: \\sldirect-pw.bentley.com\PIV\DOT\Documents\DOT Office\Director_2\Project\Operations\Bridges_Section\Lee052-003\64590\CAD\64590-ehh-cover.dgn
 PROJECT: Operations\Bridges_Section\Lee052-003\64590\CAD\64590-ehh-cover.dgn

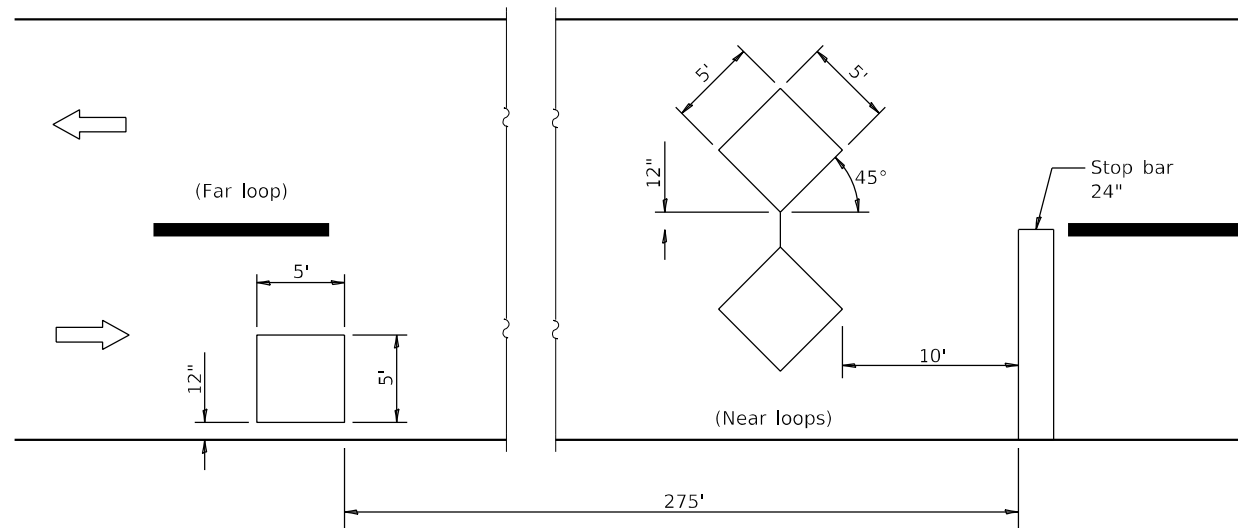
USER NAME = David.Doss	DESIGNED - _____	REVISED - _____
DRAWN - _____	REVISIONS - _____	REVISIONS - _____
PLOT SCALE = 40,0000 * / in.	CHECKED - _____	REVISIONS - _____
PLOT DATE = Sep-11-2023 12:50:52 PM	DATE - _____	REVISIONS - _____

**STATE OF ILLINOIS
DEPARTMENT OF TRANSPORTATION**

**TRAFFIC CONTROL & PROTECTION, STANDARD 701321 (SPECIAL)
FOR LOCATION SN 008-0005**

SCALE: _____ SHEET _____ OF _____ SHEETS STA. _____ TO STA. _____

F.A.P. RTE. 573	SECTION (111VBR)BP	COUNTY LEE	TOTAL SHEETS 7	SHEET NO. 6
CONTRACT NO. 64590			ILLINOIS FED. AID PROJECT	

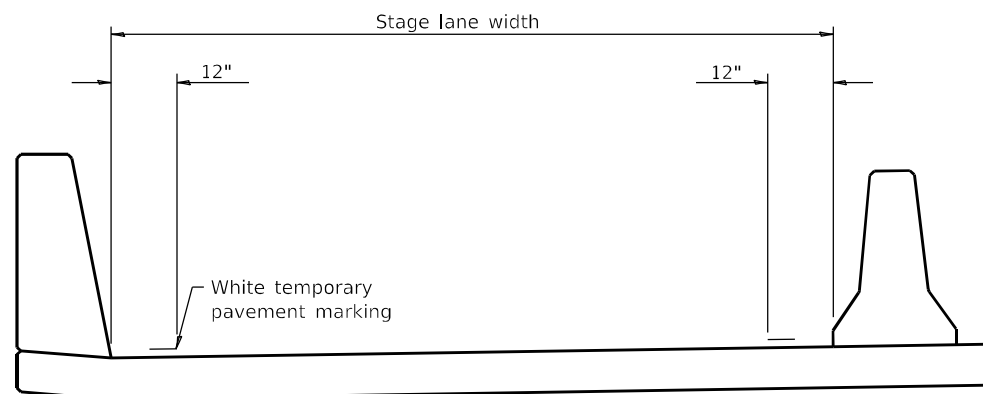


DETECTOR LOOPS

TRAFFIC SIGNAL SEQUENCE						
PHASE	A			B		
INTERVAL	1	2	3	4	5	6
NORTHBOUND OR EASTBOUND	G	Y	R	R	R	R
SOUTHBOUND OR WESTBOUND	R	R	R	G	Y	R

TEMPORARY CONCRETE BARRIER	
NORMAL POSTED SPEED	TAPER RATIO
40 mph AND ABOVE	12:1
BELOW 40 mph	8:1

ADVISORY SPEED LIMIT	
NORMAL POSTED SPEED	ADVISORY SPEED
55 - 45 mph	40 mph
40 mph	35 mph
35 - 30 mph	30 mph



TEMPORARY PAVEMENT MARKING

PAVEMENT MARKINGS

ALL TEMPORARY PAVEMENT MARKING SHALL BE, PAVEMENT MARKING TAPE, TYPE IV 4" AND THE MATERIALS SHALL BE ACCORDING TO ARTICLE 1095.06 OF THE STANDARD AND SPECIFICATIONS. THE CONTRACTOR SHALL INSTALL, MAINTAIN AND REMOVE ALL TEMPORARY PAVEMENT MARKING TAPE. THIS WORK SHALL NOT BE PAID SEPERATELY AND SHALL BE INCLUDED IN THE COST OF THE "TRAFFIC CONTROL AND PROTECTION STANDARD 701321 (SPECIAL)".

ALL CONFLICTING PAVEMENT MARKINGS AND RAISED REFLECTIVE PAVEMENT MARKERS SHALL BE PROTECTED PRIOR TO COVERING WITH PAVEMENT MARKING BLACKOUT TAPE, 4". PAVEMENT MARKING BLACKOUT TAPE, 4", SHALL EXTEND A MINIMUM OF 2 INCHES BEYOND THE EXISTING MARKINGS OR REFLECTORS IN ALL DIRECTIONS. THIS WORK SHALL INCLUDE PROTECTING EXISTING PAVEMENT MARKINGS AND RAISED REFLECTIVE PAVEMENT MARKERS, INSTALLING, MAINTAINING AND REMOVING BLACKOUT TAPE. THIS WORK SHALL NOT BE PAID SEPERATELY AND SHALL BE INCLUDED IN THE COST OF THE "TRAFFIC CONTROL AND PROTECTION STANDARD 701321 (SPECIAL)".

GENERAL NOTES

This Standard is used where, at any time, any vehicle, equipment, workers, or their activities will encroach on one lane of a bridge. Traffic signals and a positive barrier are required.

Traffic signals shall be operational only when all traffic controls are in place. When traffic signals are not in operation, flaggers shall be used and traffic control shall conform to Standard 701201 or 701206.

Temporary concrete barrier shall be according to Standard 704001.

Existing or temporary pavement markings shall be on both sides of open lane from stop bar to stop bar.

MODEL: Default
 FILE NAME: p:\ultra\paw\benefit\com\PIV\DOT\Documents\DOT_Offices\Dir\trf_2\Project\Operations\Bridg_Section\Lee032-003\164590\CAD\64590-ahh-over.dgn

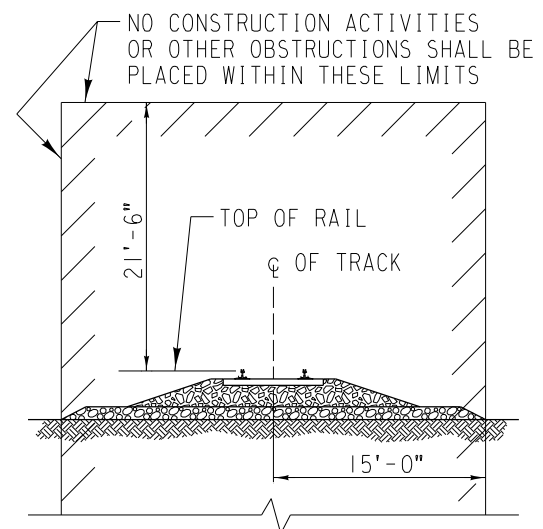
USER NAME = David.Doss	DESIGNED - _____	REVISED - _____
	DRAWN - _____	REVISED - _____
PLOT SCALE = 40,0000 * / in.	CHECKED - _____	REVISED - _____
PLOT DATE = Aug-14-2023 01:18:06 PM	DATE - _____	REVISED - _____

**STATE OF ILLINOIS
DEPARTMENT OF TRANSPORTATION**

**TRAFFIC CONTROL & PROTECTION, STANDARD 701321 (SPECIAL)
FOR SN 008-0005**

SCALE: _____ SHEET ____ OF ____ SHEETS STA. _____ TO STA. _____

F.A.P. RTE.	SECTION	COUNTY	TOTAL SHEETS	SHEET NO.
573	(111VBR)BP	LEE	7	7
CONTRACT NO. 64590				
ILLINOIS FED. AID PROJECT				



MINIMUM CONSTRUCTION CLEARANCE ENVELOPE
(NORMAL TO RAILROAD)

36

DESIGN BY: RAF	CHECKED BY: AMH
APPROVED:	
<i>Rick Friesen</i>	
UPRR - SENIOR MANAGER STRUCTURES DESIGN	
<i>Austin M. Huest</i>	
BNSF - ASSISTANT DIRECTOR STRUCTURES DESIGN	

BRIDGE STANDARDS	
GRADE SEPARATION GUIDELINES	
TEMPORARY CLEARANCE ENVELOPE	
FILE OWNER: UPRR	DATE: 1/05/16
PLAN NO.: 711000	SHEET: 8

PLOTTED: 5/12/2016 9:14:09 AM
ADDED SHEET 7/9/24