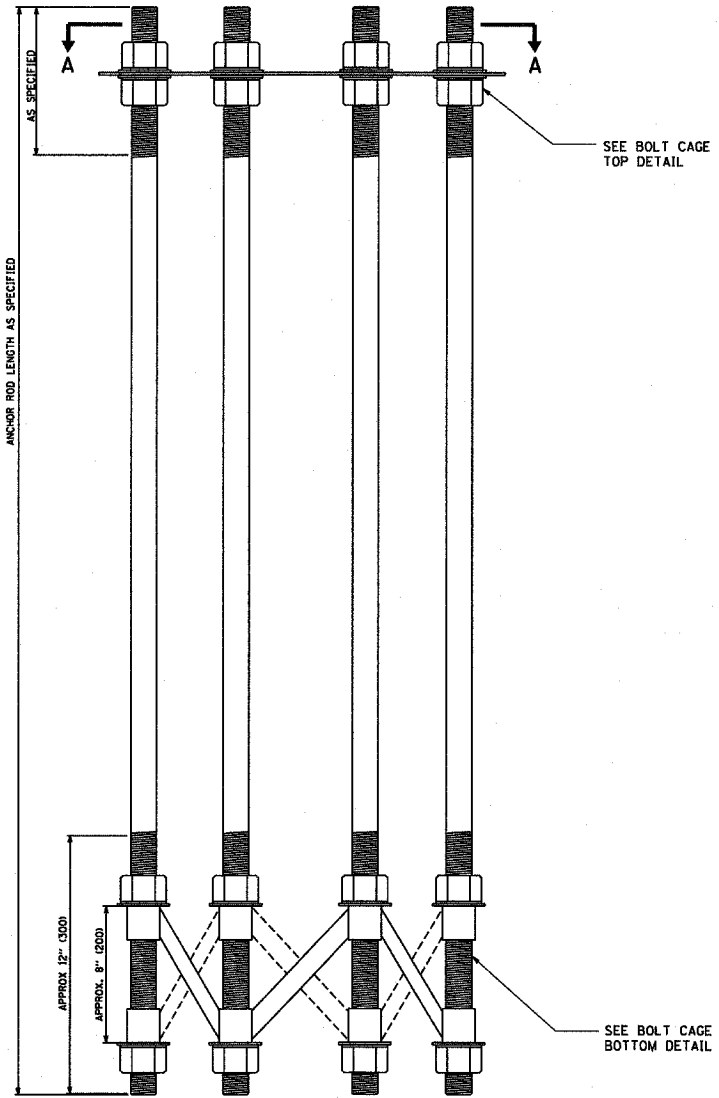
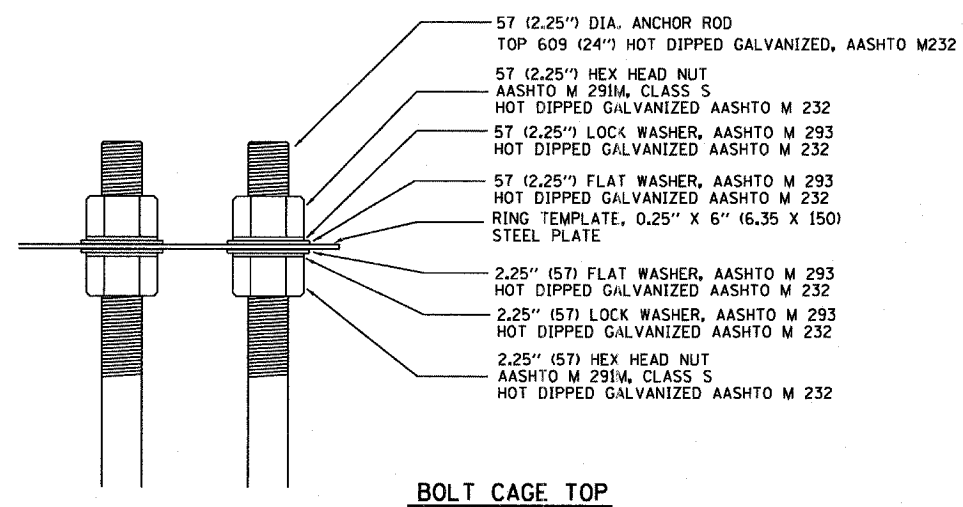


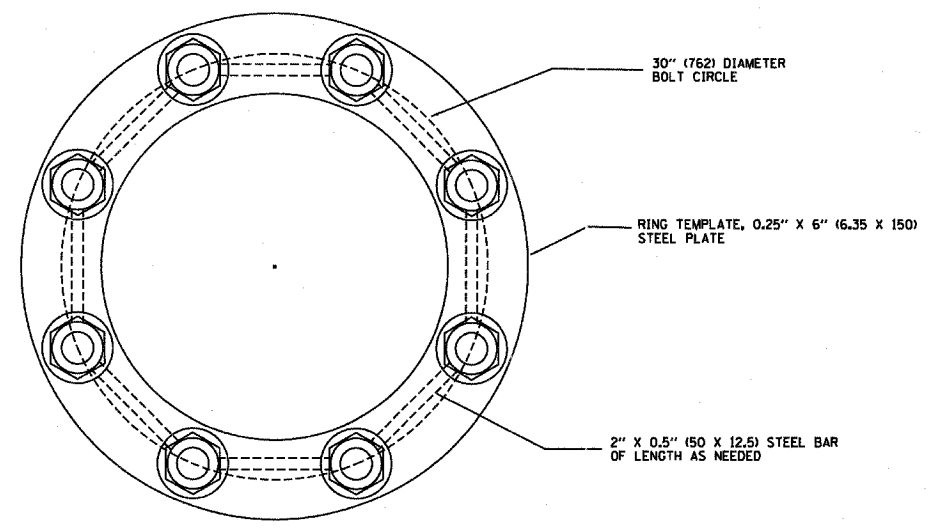
F.A. RTE.	SECTION	COUNTY	TOTAL SHEETS	SHEET NO.
			85	67
STA.		TO STA.		
FED. ROAD DIST. NO.		ILLINOIS FED. AID PROJECT		



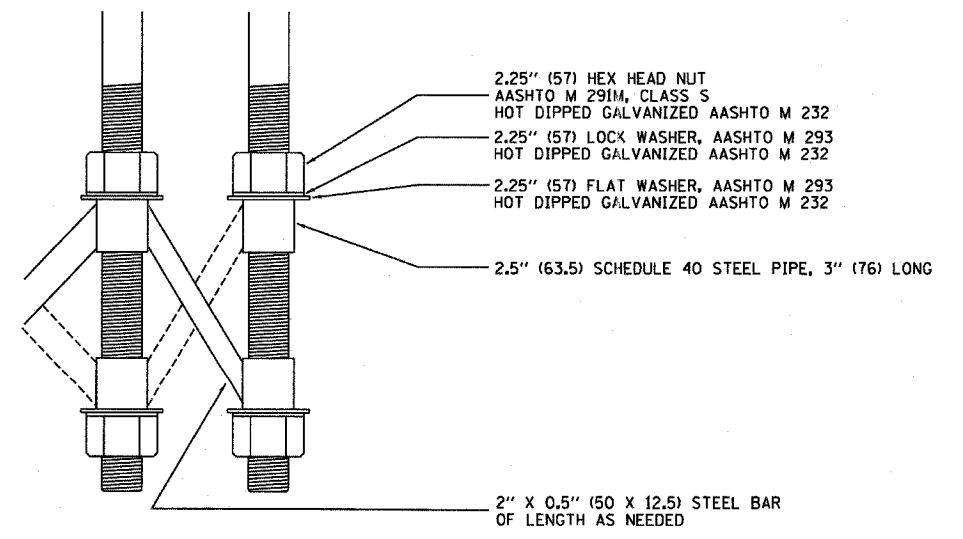
ANCHOR BOLT CAGE



BOLT CAGE TOP



SECTION A-A



BOLT CAGE BOTTOM

NOTES

1. ALL DIMENSIONS IN INCHES (MILLIMETERS) UNLESS OTHERWISE SHOWN
2. ANCHOR RODS SHALL BE STRAIGHT AND SHALL BE ACCORDING TO AASHTO M 314 OR ASTM F1554, GRADE 725 (GRADE 105) AND GALVANIZED ACCORDING TO ARTICLE 1006.09.
3. ANCHOR ROD INFORMATION SHALL BE SUBMITTED FOR APPROVAL AND SHALL BE FULLY COORDINATED WITH TOWER MANUFACTURERS REQUIREMENTS.

PLOT DATE = 1/18/2007
 PLOT SCALE = 3/8\"/>

REVISIONS	
NAME	DATE

ILLINOIS DEPARTMENT OF TRANSPORTATION
 HIGH MAST LIGHT TOWER
 90FT TO 120FT (27m TO 36m)
 FOUNDATION DETAIL
 SHEET 2 OF 2

SCALE: VERT.
 HORIZ.
 DATE: 1/18/2007

DRAWN BY
 CHECKED BY
 BE08 (BE501)
 REVISION DATE: 01/01/07