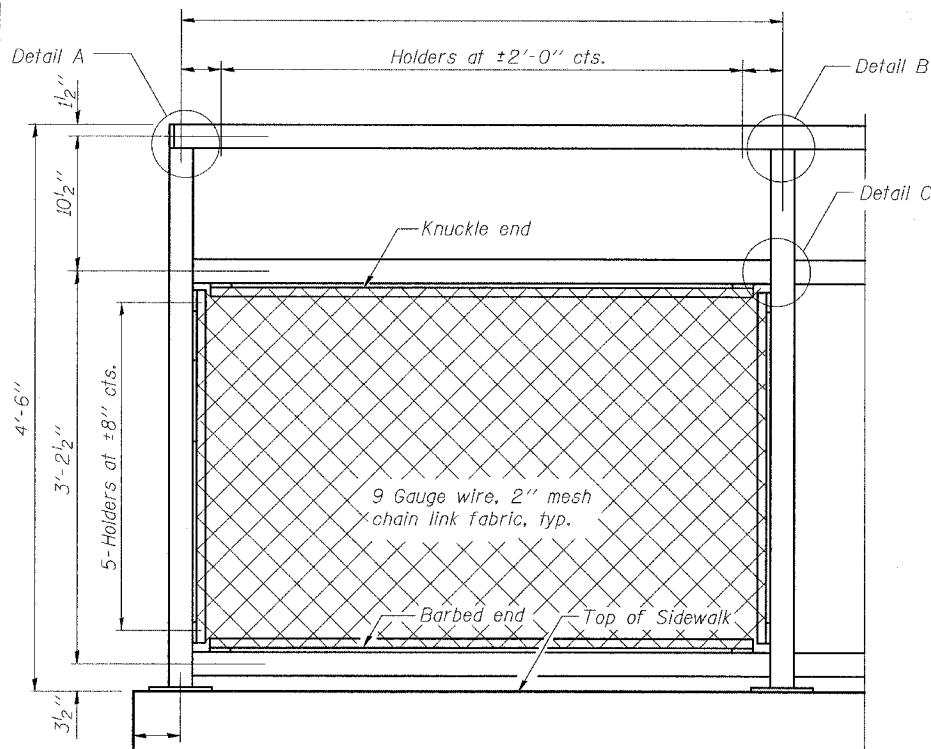
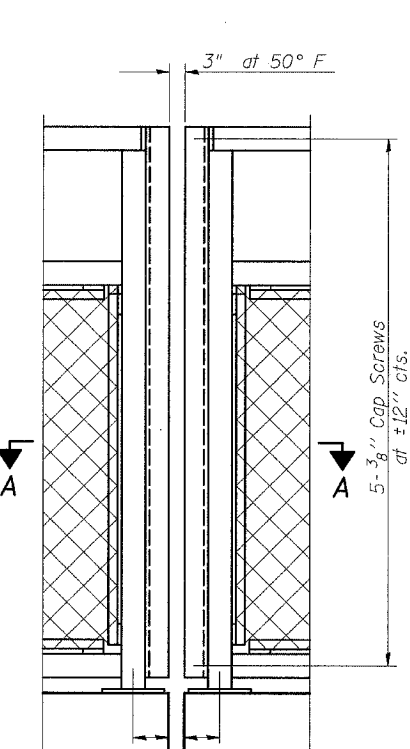


F.A.P. RTE.	SECTION	COUNTY	TOTAL SHEETS	SHEET NO.
335	119R-2	LAKE	439	269
STA. 432+83.12		TO STA. 470+56.84		
FED. ROAD DIST. NO.	ILLINOIS	FED. AID PROJECT		
		60B01		

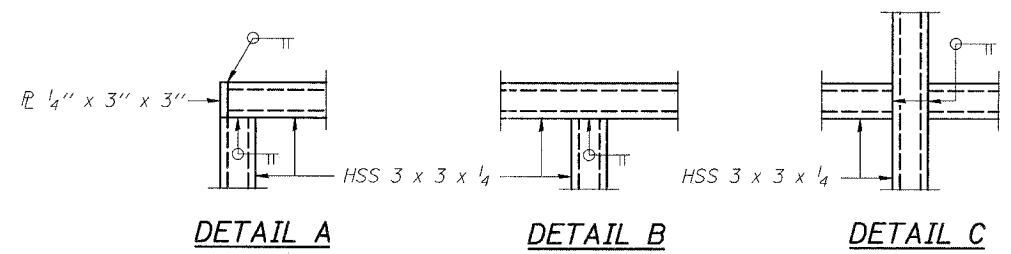
NOTES:
 1. All steel rail elements shall be galvanized according to Article 509.05 of the Standard Specifications.



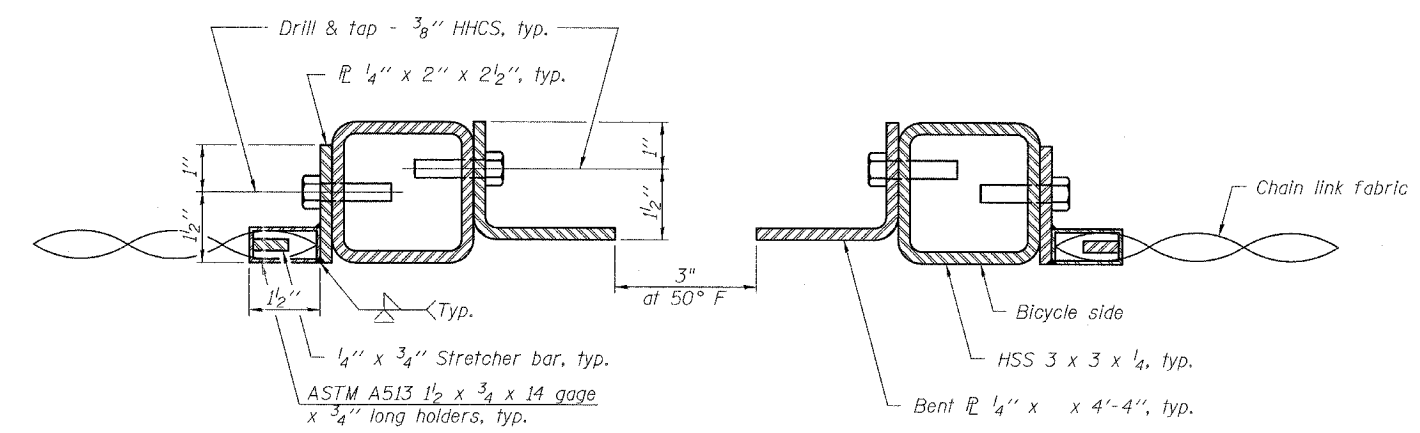
BICYCLE RAILING



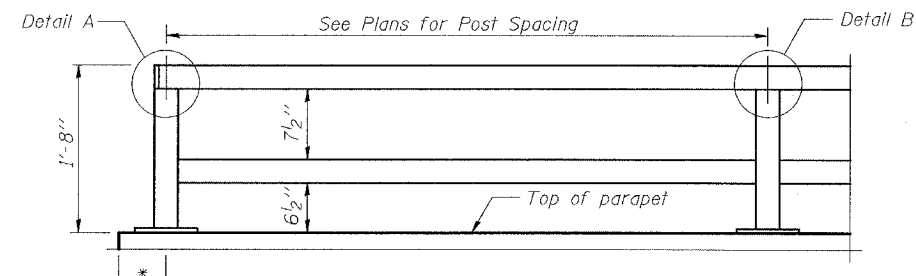
BICYCLE RAILING



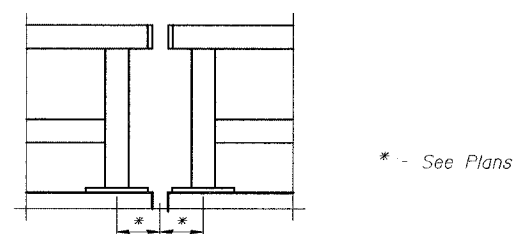
DETAIL A DETAIL B DETAIL C



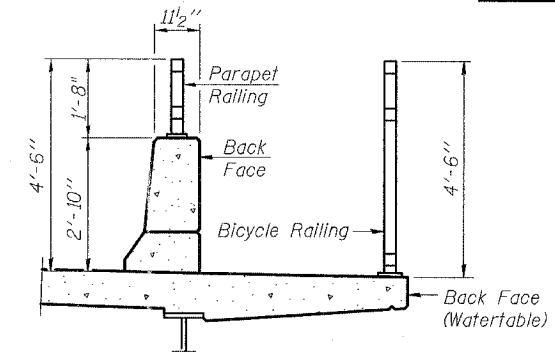
SECTION A-A



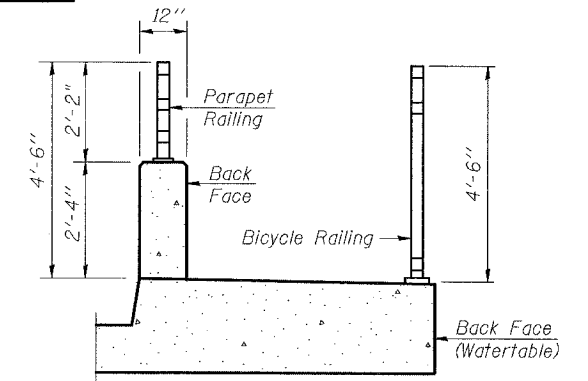
PARAPET RAILING ELEVATION
(Inside Face of Two Element Rail)



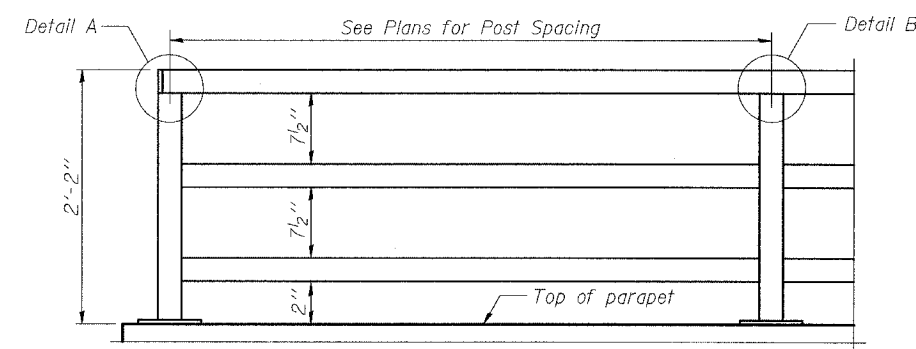
PARAPET RAILING ELEVATION AT EXPANSION JOINT



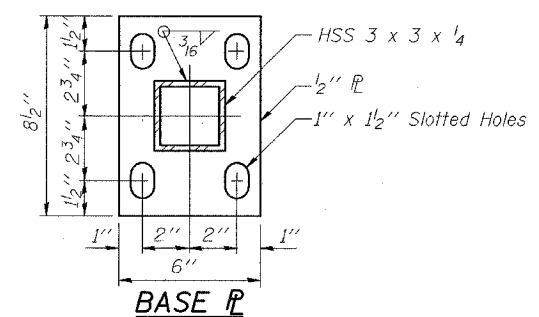
SECTION THRU DECK



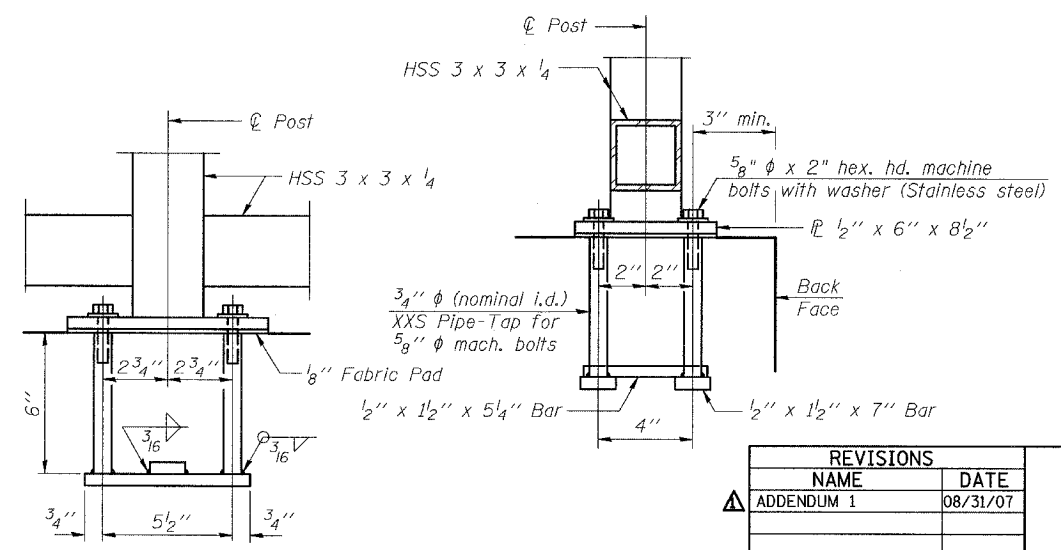
SECTION THRU SIDEWALK



PARAPET RAILING ELEVATION
(Inside Face of Three Element Rail)



BASE PLATE



ANCHOR BOLT DETAILS

In lieu of the cast-in-place anchor device shown, the Contractor has the option of drilling and setting 5/8" diameter anchor rods according to Article 509.06 of the Standard Specifications. Embedment shall be according to the manufacturer's specifications.

BILL OF MATERIAL

Item	Unit	Quantity
Parapet Railing	Foot	295

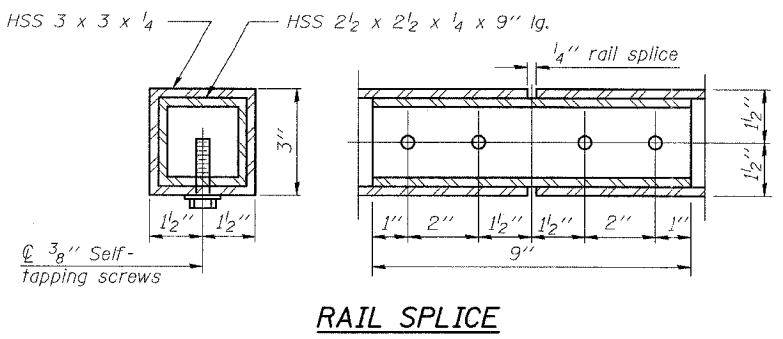
SHEET S-22 OF S-53

REVISIONS

NAME	DATE
ADDENDUM 1	08/31/07

ILLINOIS DEPARTMENT OF TRANSPORTATION
PARAPET RAILING DETAILS
 ILLINOIS 60 OVER I-94
 F.A.P. RTE. 335 SECTION 119R-2
 LAKE COUNTY STA. 445+54.14
 S.N. 049-2012 ISTHA BRIDGE NO. 407
 DESIGNED BY: DE
 DRAWN BY: DE
 CHECKED BY: SP
 SCALE:
 DATE: MAY 8, 2007

TYLIN INTERNATIONAL



RAIL SPLICE

P:\6024581L\601\Structur\Ina\VI60BRrail2.dgn 08/30/2007 12:28:44 PM