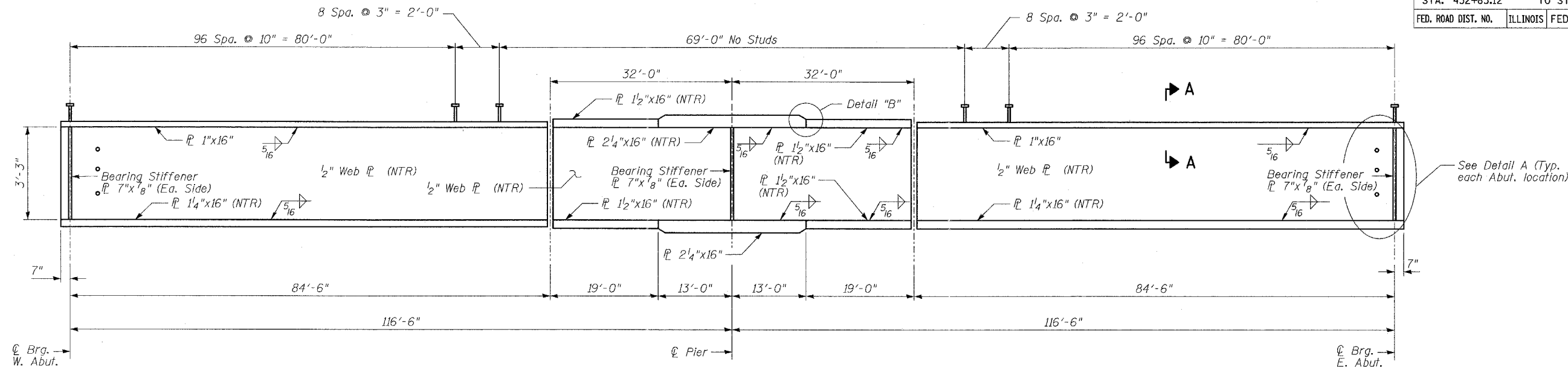
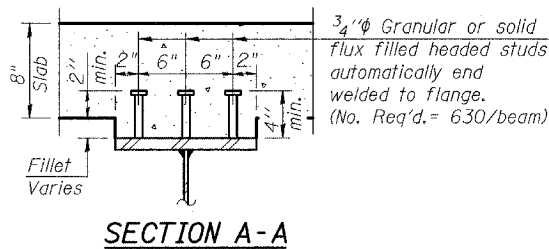


F.A.P. RTE.	SECTION	COUNTY	TOTAL SHEETS	SHEET NO.
335	119R-2	LAKE	439	271
STA. 432+83.12		TO STA. 470+56.84		
FED. ROAD DIST. NO.	ILLINOIS	FED. AID PROJECT		

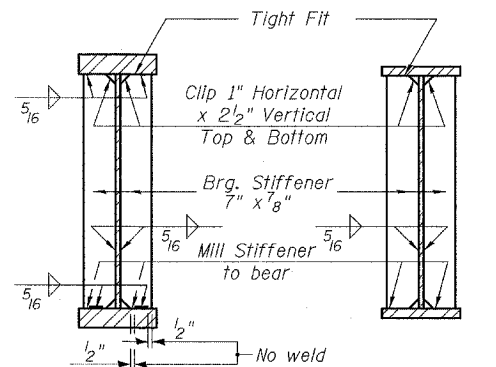
60B01



GIRDER ELEVATION

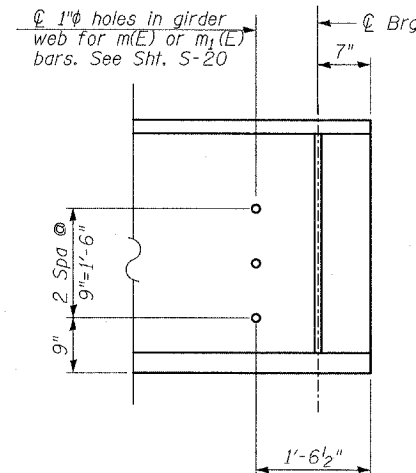


SECTION A-A

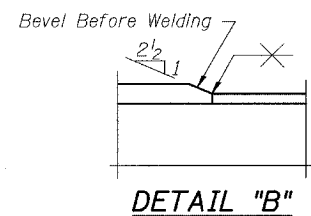


SECTION AT PIER

SECTION AT ABUTMENT



DETAIL A

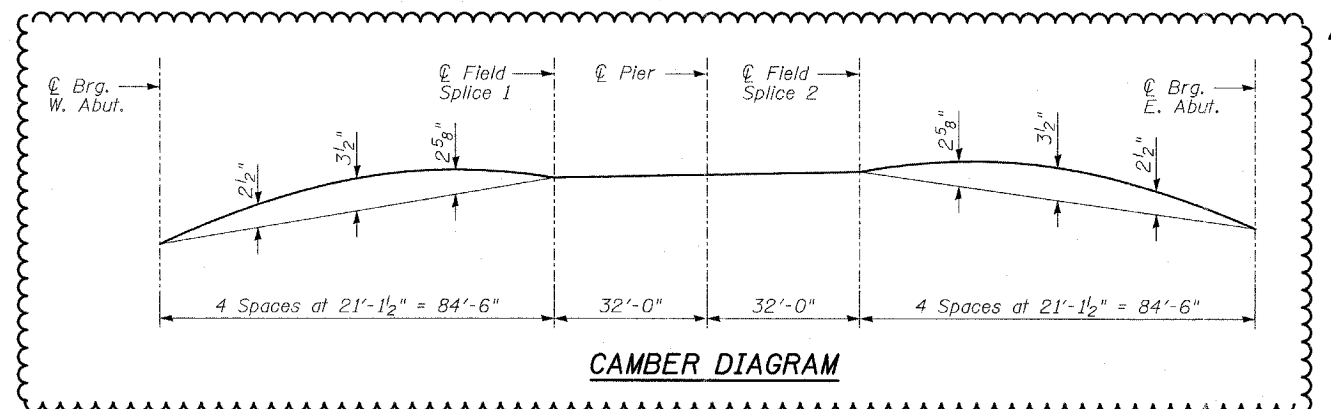


DETAIL B

TOP OF WEB ELEVATIONS

For Fabrication Only.

Beam	☉ Brg. W. Abut.	☉ Field Splice 1	☉ Brg. Pier 1	☉ Field Splice 2	☉ Brg. E. Abut.
1	710.81	711.34	711.37	711.39	710.96
2	710.95	711.49	711.51	711.53	711.10
3	711.09	711.63	711.65	711.67	711.24
4	711.24	711.77	711.79	711.82	711.39
5	711.38	711.91	711.94	711.96	711.53
6	711.52	712.06	712.08	712.10	711.67
7	711.66	712.20	712.22	712.24	711.81
8	711.81	712.34	712.36	712.38	711.96
9	711.93	712.47	712.49	712.51	712.08
10	712.04	712.57	712.60	712.62	712.19
11	712.15	712.68	712.70	712.73	712.30
12	712.25	712.79	712.81	712.83	712.40
13	712.25	712.79	712.81	712.83	712.40
14	712.14	712.68	712.70	712.72	712.29
15	712.03	712.56	712.59	712.61	712.18
16	711.92	712.45	712.47	712.50	712.07
17	711.78	712.31	712.33	712.36	711.93
18	711.63	712.16	712.19	712.21	711.78
19	711.48	712.01	712.04	712.06	711.63
20	711.33	711.87	711.89	711.91	711.48
21	711.18	711.72	711.74	711.76	711.33
22	711.03	711.57	711.59	711.61	711.18



CAMBER DIAGRAM

TYLIN INTERNATIONAL

REVISIONS	
NAME	DATE
ADDENDUM 1	08/31/07

ILLINOIS DEPARTMENT OF TRANSPORTATION
GIRDER ELEVATIONS & DETAILS
 ILLINOIS 60 OVER I-94
 F.A.P. RTE. 335 SECTION 119R-2
 LAKE COUNTY STA. 445+54.14
 S.N. 049-2012 ISTHA BRIDGE NO. 407
 DESIGNED BY: SP
 DRAWN BY: SP
 CHECKED BY: PDF
 SCALE:
 DATE: MAY 8, 2007

SHEET S-24 OF S-53

FILE

TIME

DATE