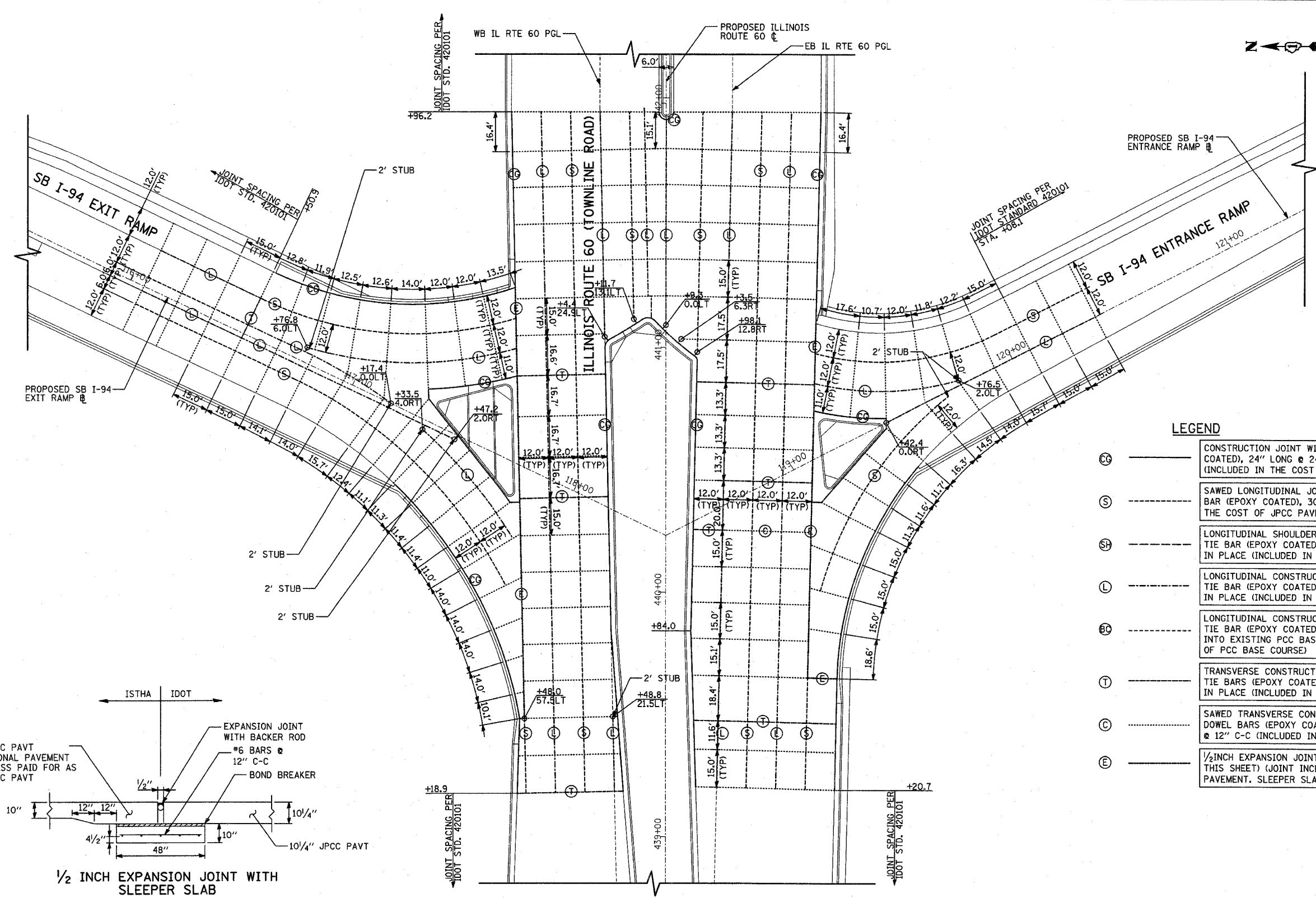


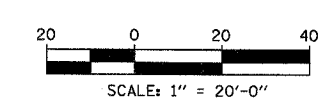
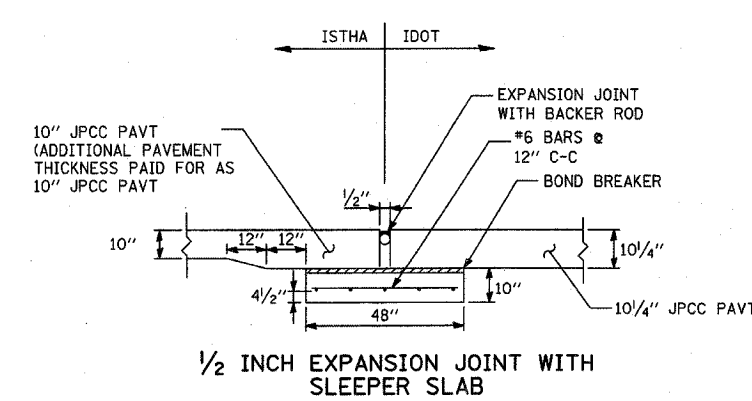
F.A.P. RTE.	SECTION	COUNTY	TOTAL SHEETS	SHEET NO.
335	119R-2	LAKE	439	73
STA. 432+83.12		TO STA. 470+56.84		
FED. ROAD DIST. NO.	ILLINOIS FED. AID PROJECT			

60B01



**LEGEND**

- CC — CONSTRUCTION JOINT WITH NO. 6 DEFORMED TIE BAR (EPOXY COATED), 24" LONG @ 24" C-C, DRILL & GROUT IN PLACE (INCLUDED IN THE COST OF CURB & GUTTER OR MEDIAN)
- S — SAWED LONGITUDINAL JOINT WITH NO. 6 DEFORMED TIE BAR (EPOXY COATED), 30" LONG @ 30" C-C (INCLUDED IN THE COST OF JPCC PAVEMENT)
- SP — LONGITUDINAL SHOULDER CONSTRUCTION JOINT WITH NO. 8 DEFORMED TIE BAR (EPOXY COATED), 30" LONG @ 24" C-C, DRILL & GROUT IN PLACE (INCLUDED IN THE COST OF JPCC PAVEMENT)
- L — LONGITUDINAL CONSTRUCTION JOINT WITH NO. 6 DEFORMED TIE BAR (EPOXY COATED), 30" LONG @ 24" C-C, DRILL & GROUT IN PLACE (INCLUDED IN THE COST OF JPCC PAVEMENT)
- BC — LONGITUDINAL CONSTRUCTION JOINT WITH NO. 8 DEFORMED TIE BAR (EPOXY COATED), 24" LONG @ 24" C-C, DRILL & GROUT INTO EXISTING PCC BASE COURSE (INCLUDED IN THE COST OF PCC BASE COURSE)
- T — TRANSVERSE CONSTRUCTION JOINT WITH 1-1/2" DIA. DEFORMED TIE BARS (EPOXY COATED), 18" LONG @ 12" C-C, DRILL & GROUT IN PLACE (INCLUDED IN THE COST OF JPCC PAVEMENT)
- C — SAWED TRANSVERSE CONTRACTION JOINT WITH SMOOTH DOWEL BARS (EPOXY COATED), 1/2" DIA., 18" LONG @ 12" C-C (INCLUDED IN THE COST OF JPCC PAVEMENT)
- E — 1/2" INCH EXPANSION JOINT WITH SLEEPER SLAB (SEE DETAIL THIS SHEET) (JOINT INCLUDED IN THE COST OF 10 1/4" JPCC PAVEMENT. SLEEPER SLAB PAID FOR SEPARATELY.)



REVISIONS	
NAME	DATE

ILLINOIS DEPARTMENT OF TRANSPORTATION  
 ILLINOIS RTE 60 OVER I-94  
 MISCELLANEOUS ROADWAY DETAILS  
 INTERSECTION JOINTING - SHEET 1 OF 2  
 IL RTE 60 & SB I-94 RAMP

SCALE: 1"=20'-0"  
 DATE: MAY 8, 2007

DRAWN BY: CBS  
 CHECKED BY: MPG

**TYLIN**INTERNATIONAL

P:\60245811\60V\60B01.dwg 5/17/2007 7:57:42 AM