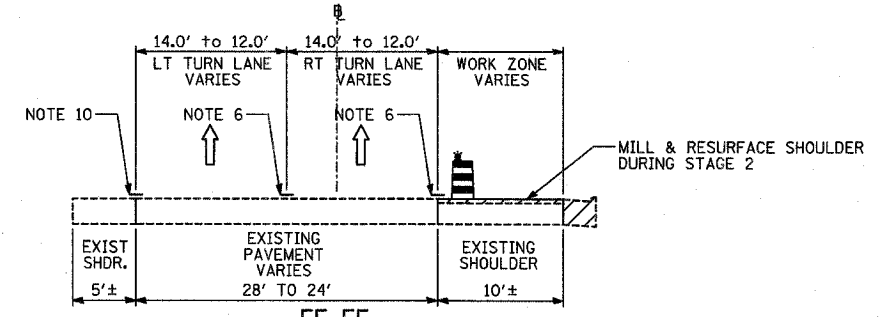
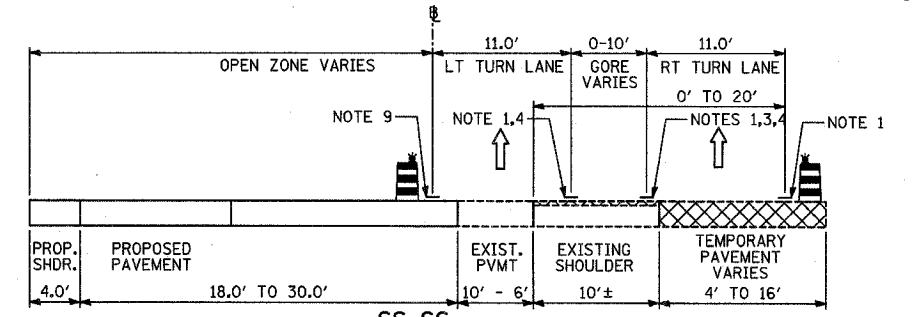


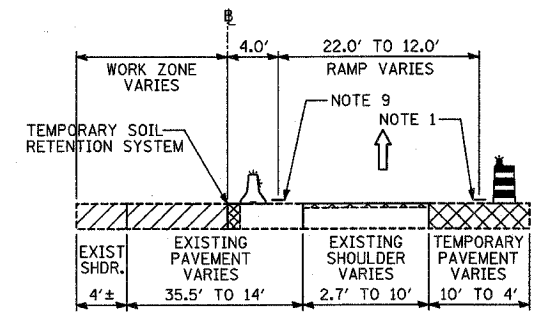
AA-AA  
STAGE 2: SB I-94 ENTRANCE RAMP; STA. 119+00 TO 127+43



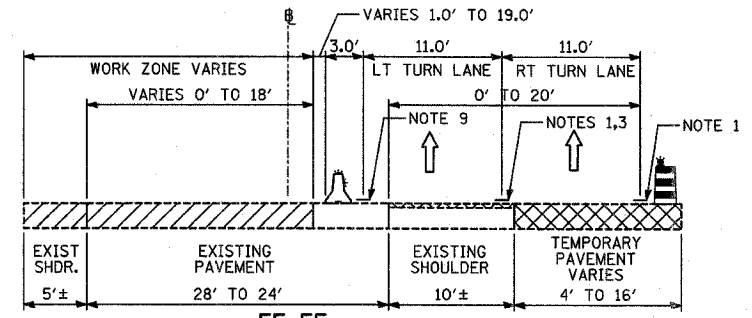
EE-EE  
PRE-STAGE B: SB I-94 EXIT RAMP; STA. 113+50 TO 117+50



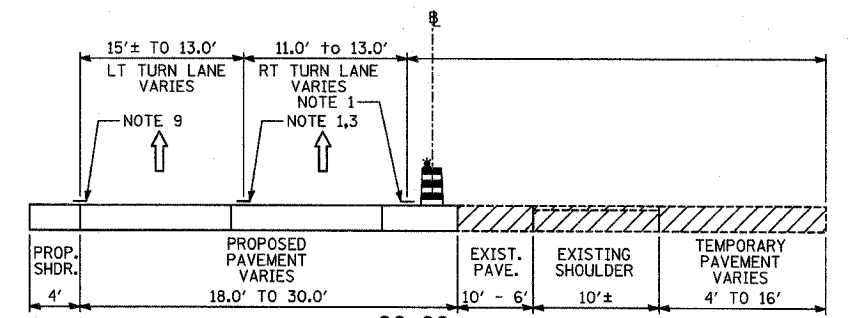
SS-SS  
STAGE 1A: SB I-94 EXIT RAMP; STA. 113+50 TO 117+50



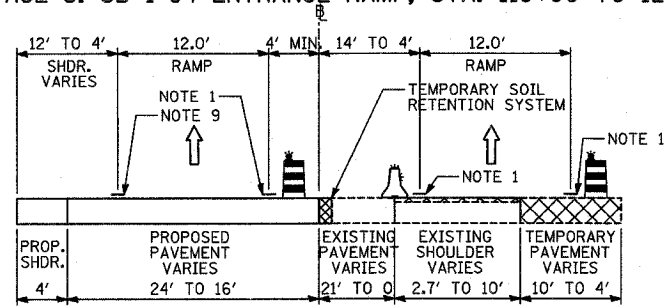
BB-BB  
STAGE 3: SB I-94 ENTRANCE RAMP; STA. 119+00 TO 127+43



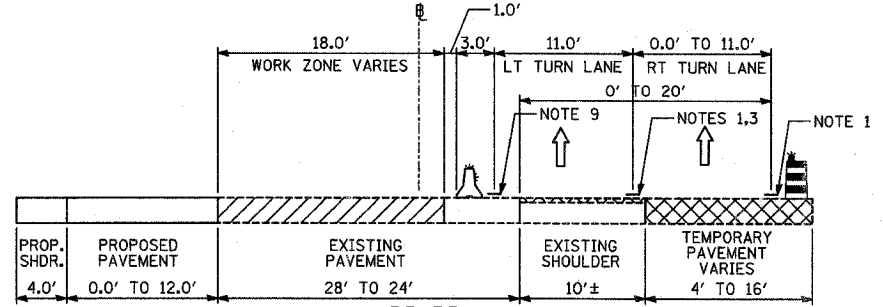
FF-FF  
STAGE 1: SB I-94 EXIT RAMP; STA. 113+50 TO 117+50



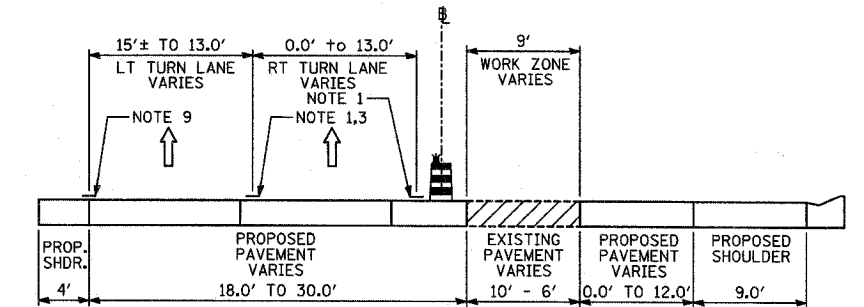
GG-GG  
STAGE 2: SB I-94 EXIT RAMP; STA. 113+50 TO 117+50



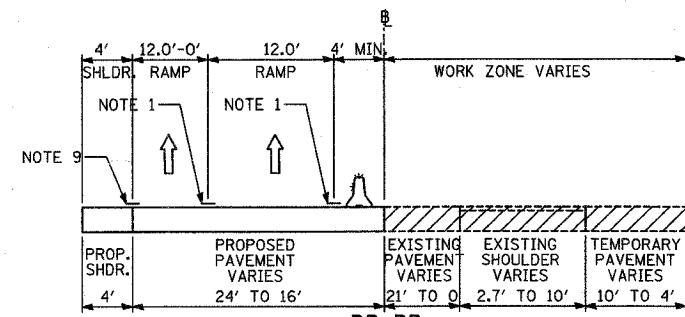
CC-CC  
STAGE 3A: SB I-94 ENTRANCE RAMP; STA. 119+00 TO 127+43



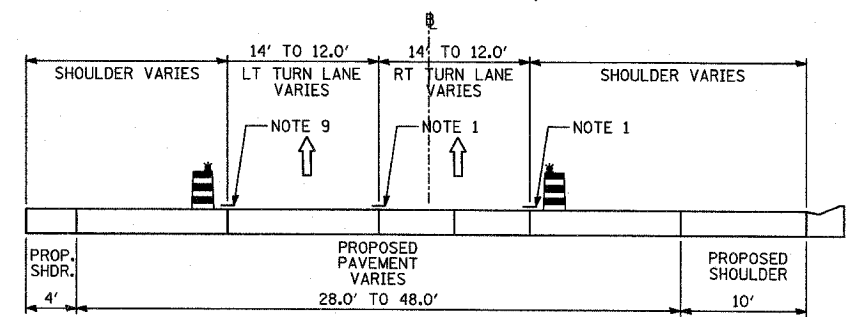
RR-RR  
STAGE 1 SUB-STAGE: SB I-94 EXIT RAMP; STA. 113+50 TO 117+50



TT-TT  
STAGE 2 SUB-STAGE: SB I-94 EXIT RAMP; STA. 113+50 TO 115+50



DD-DD  
STAGE 4: SB I-94 ENTRANCE RAMP; STA. 119+00 TO 127+43



HH-HH  
STAGES 3, 3A, & 4: SB I-94 EXIT RAMP; STA. 113+50 TO 117+50

**NOTES:**

- 1 - TEMPORARY PAVEMENT MARKING-LINE 4" (SOLID WHITE)
- 2 - TEMPORARY PAVEMENT MARKING-LINE 4" (10'-30' SKIP-DASH WHITE)
- 3 - TEMPORARY PAVEMENT MARKING-LINE 4" (2'-6" SKIP-DASH WHITE)
- 4 - TEMPORARY PAVEMENT MARKING-LINE 8" (SOLID WHITE)
- 5 - TEMPORARY PAVEMENT MARKING-LINE 4" (SOLID DOUBLE YELLOW)
- 6 - EXISTING PAVEMENT MARKING, (SOLID WHITE)
- 7 - EXISTING PAVEMENT MARKING, (SKIP-DASH WHITE)
- 8 - EXISTING PAVEMENT MARKING, (SOLID DOUBLE YELLOW)
- 9 - TEMPORARY PAVEMENT MARKING-LINE 4" (SOLID YELLOW)
- 10 - EXISTING PAVEMENT MARKING, (SOLID YELLOW)

**LEGEND:**

- TEMPORARY CONCRETE BARRIER (WITH REFLECTORS ON TOP AND SIDE FACING TRAFFIC)
- TRAFFIC MOVEMENT
- DRUM WITH MONO-DIRECTIONAL STEADY BURNING LIGHT
- EXISTING BRIDGE PARAPET (WITH REFLECTORS ON TOP AND SIDE FACING TRAFFIC)
- PAVEMENT REMOVAL AREA
- TEMPORARY PAVEMENT

TYLIN INTERNATIONAL

REVISIONS	
NAME	DATE

ILLINOIS DEPARTMENT OF TRANSPORTATION  
ILLINOIS RTE 60 OVER I-94  
MAINTENANCE OF TRAFFIC  
TYPICAL SECTIONS AND DETAILS  
SHEET 5 OF 7  
SCALE: NO SCALE  
DATE: MAY 8, 2007  
DRAWN BY: RTM  
CHECKED BY: MPG

05/02/2007 10:24:23 AM