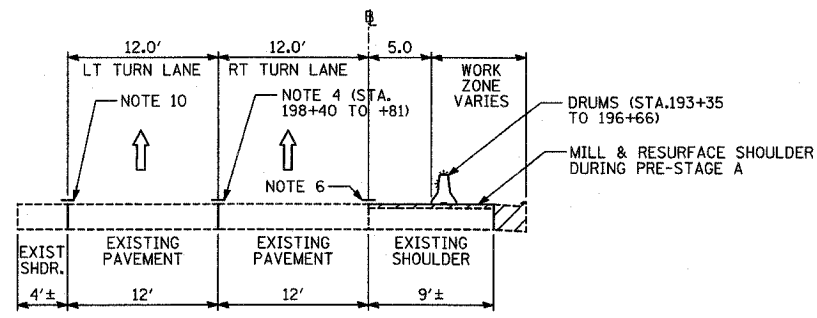
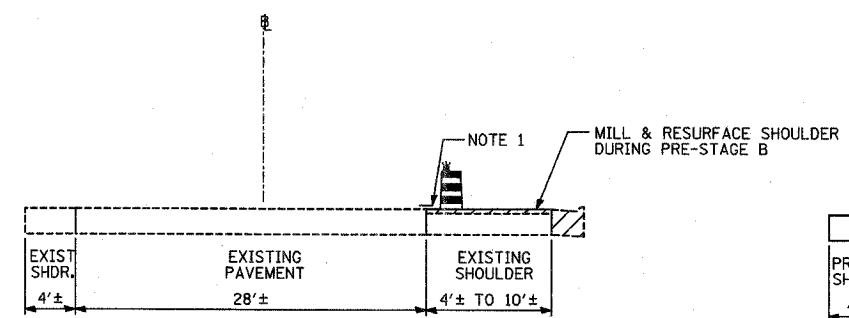


F.A.P. RTE.	SECTION	COUNTY	TOTAL SHEETS	SHEET NO.
335	119R-2	LAKE	439	83
STA. 432+83.12		TO STA. 470+56.84		
FED. ROAD DIST. NO.	ILLINOIS	FED. AID PROJECT		

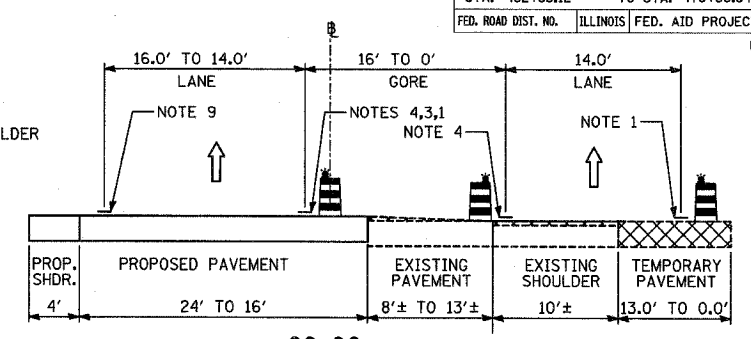
60B01



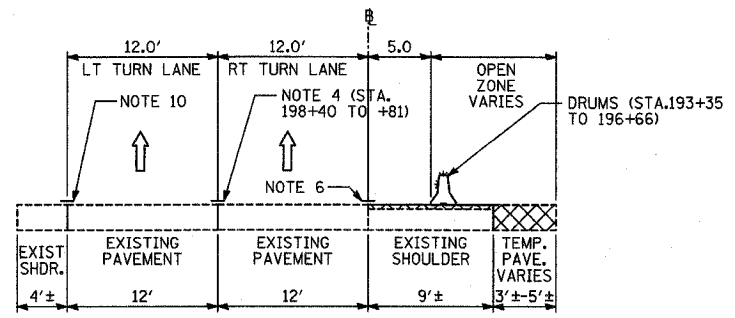
II-II
PRE-STAGE A: NB I-94 EXIT RAMP; STA. 193+35 TO 198+81



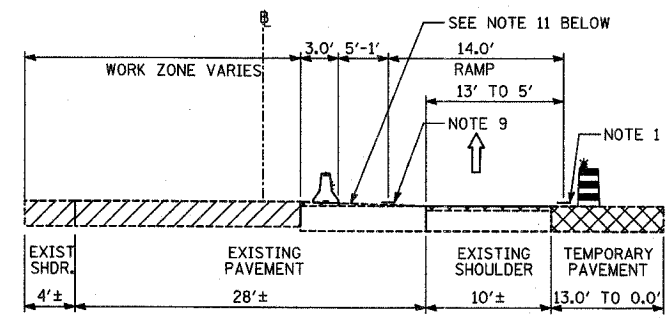
QQ-QQ
PRE-STAGE B: NB I-94 ENTRANCE RAMP; STA. 201+30 TO 202+25



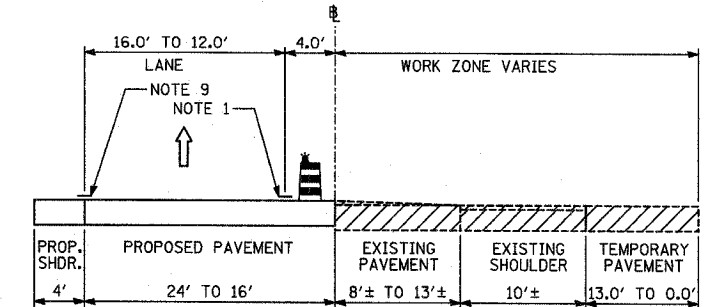
OO-OO
STAGE 1A: NB I-94 ENTRANCE RAMP; STA. 201+00 TO 205+00



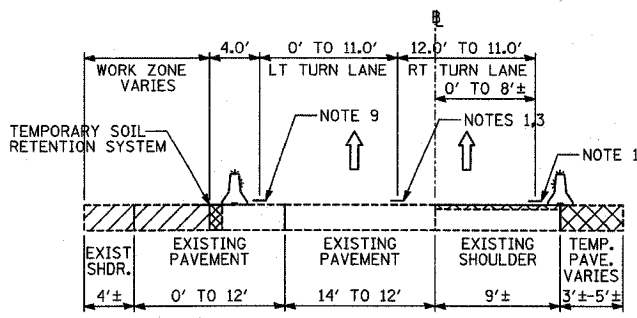
JJ-JJ
PRE-STAGE B, STAGES 1, 1A, 2: NB I-94 EXIT RAMP; STA. 193+35 TO 198+81



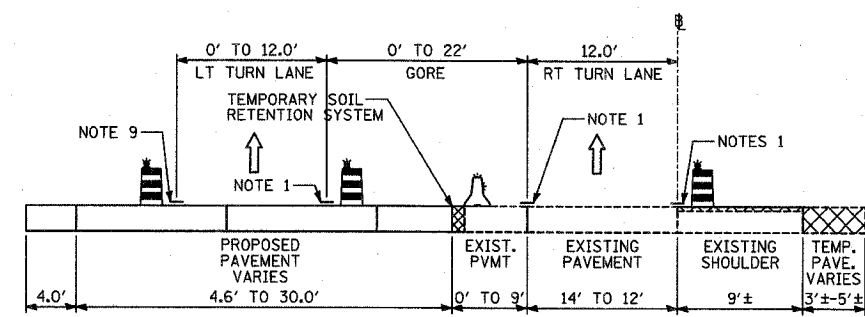
NN-NN
STAGE 1: NB I-94 ENTRANCE RAMP; STA. 201+00 TO 204+00



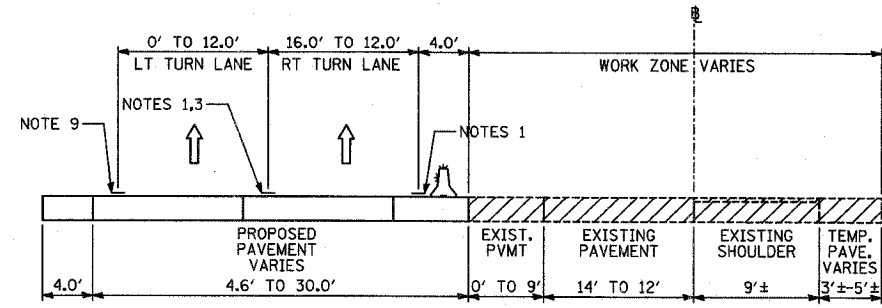
PP-PP
STAGE 2: NB I-94 ENTRANCE RAMP; STA. 201+00 TO 205+00



KK-KK
STAGE 3: NB I-94 EXIT RAMP; STA. 190+00 TO 199+00



LL-LL
STAGE 3A: NB I-94 EXIT RAMP; STA. 190+00 TO 198+53



MM-MM
STAGE 4: NB I-94 EXIT RAMP; STA. 190+00 TO 198+53

- NOTES:**
- TEMPORARY PAVEMENT MARKING-LINE 4" (SOLID WHITE)
 - TEMPORARY PAVEMENT MARKING-LINE 4" (10'-30' SKIP-DASH WHITE)
 - TEMPORARY PAVEMENT MARKING-LINE 4" (2'-6" SKIP-DASH WHITE)
 - TEMPORARY PAVEMENT MARKING-LINE 8" (SOLID WHITE)
 - TEMPORARY PAVEMENT MARKING-LINE 4" (SOLID DOUBLE YELLOW)
 - EXISTING PAVEMENT MARKING, (SOLID WHITE)
 - EXISTING PAVEMENT MARKING, (SKIP-DASH WHITE)
 - EXISTING PAVEMENT MARKING, (SOLID DOUBLE YELLOW)
 - TEMPORARY PAVEMENT MARKING-LINE 4" (SOLID YELLOW)
 - EXISTING PAVEMENT MARKING, (SOLID YELLOW)
 - HMA SURFACE COURSE, MIX D, N70 TO BE PLACED AS NEEDED FOLLOWING STAGE 1 FROM STA 202+50 TO 204+00 TO MATCH EXISTING AND PROPOSED PAVEMENT EDGES. SLOPE SHALL NOT BE GREATER THAN 3.0%.

- LEGEND:**
- TEMPORARY CONCRETE BARRIER (WITH REFLECTORS ON TOP AND SIDE FACING TRAFFIC)
 - TRAFFIC MOVEMENT
 - DRUM WITH MONO-DIRECTIONAL STEADY BURNING LIGHT
 - EXISTING BRIDGE PARAPET (WITH REFLECTORS ON TOP AND SIDE FACING TRAFFIC)
 - PAVEMENT REMOVAL AREA
 - TEMPORARY PAVEMENT

REVISIONS	
NAME	DATE

ILLINOIS DEPARTMENT OF TRANSPORTATION
ILLINOIS RTE 60 OVER I-94
MAINTENANCE OF TRAFFIC
TYPICAL SECTIONS AND DETAILS
SHEET 6 OF 7

SCALE: NO SCALE
DATE: MAY 8, 2007

DRAWN BY: RTM
CHECKED BY: MPG

TYLIN INTERNATIONAL

P:\60245811-60\Road\60mtrts_sht06.dgn 05/02/2007 10:24:30 AM