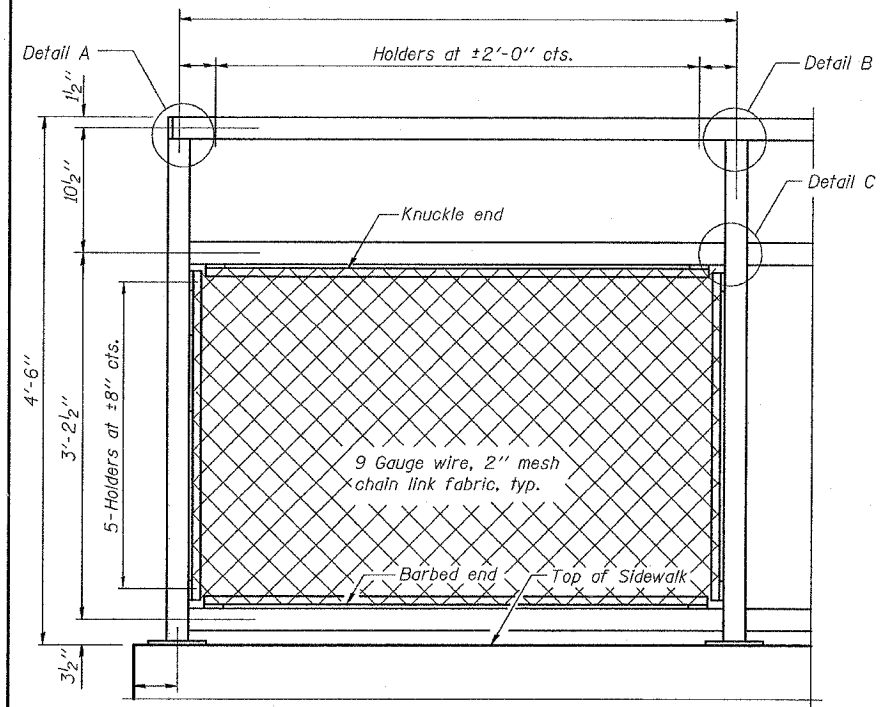


F.A.P. RTE.	SECTION	COUNTY	TOTAL SHEETS	SHEET NO.
335	119R-2	LAKE	439	269
STA. 432+83.12		TO STA. 470+56.84		
FED. ROAD DIST. NO.	ILLINOIS	FED. AID PROJECT		

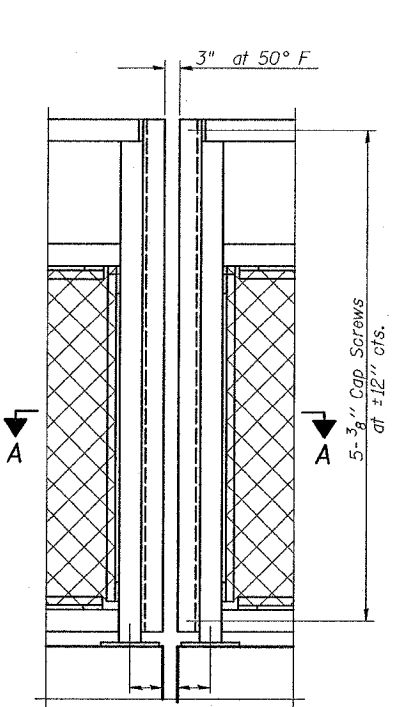
60B01

NOTES:

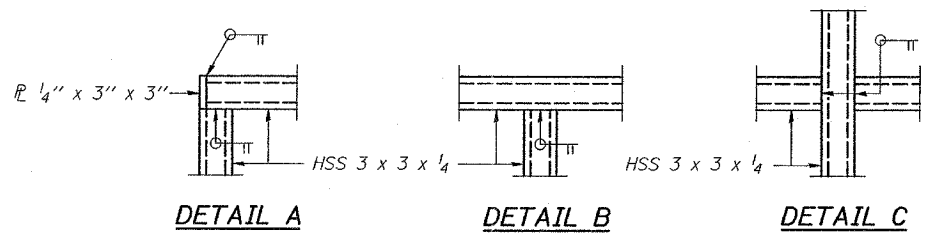
- All steel rail elements shall be galvanized according to Article 509.05 of the Standard Specifications.
- All steel rail elements shall be finished with black polyester powder coating over galvanized steel according to METAL RAILING COATING of the Special Provisions.



BICYCLE RAILING



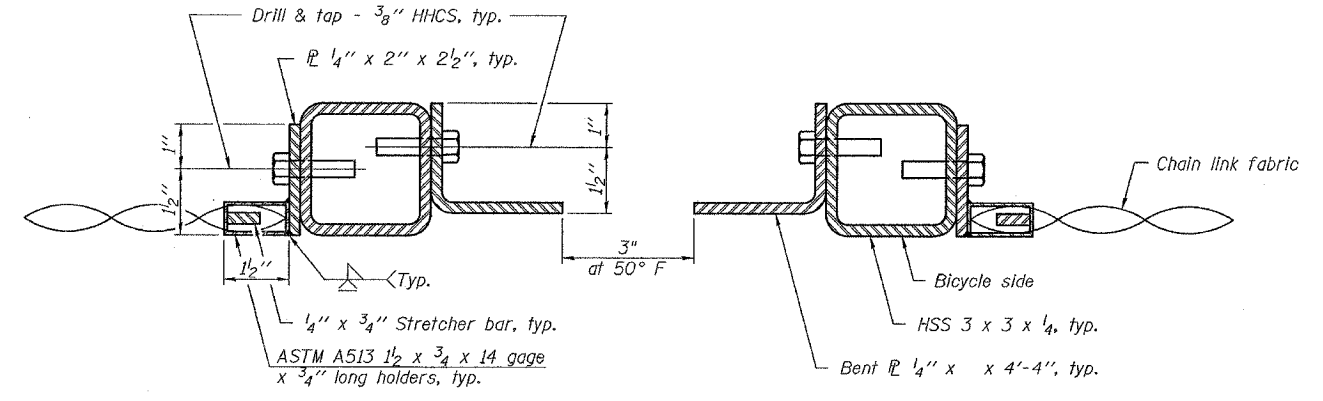
BICYCLE RAILING



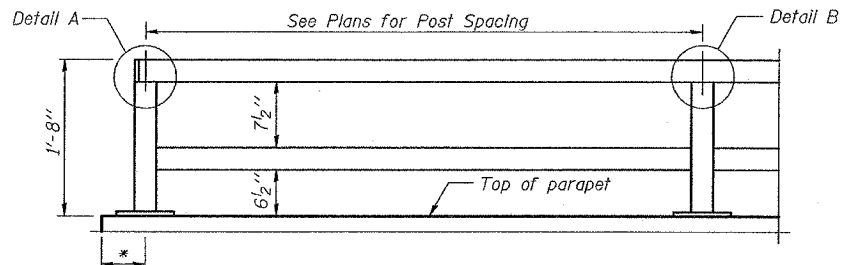
DETAIL A

DETAIL B

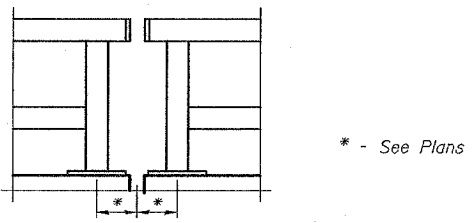
DETAIL C



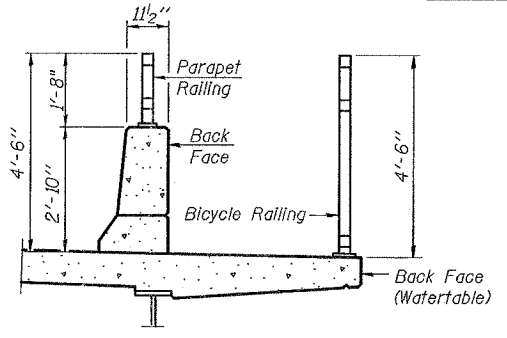
SECTION A-A



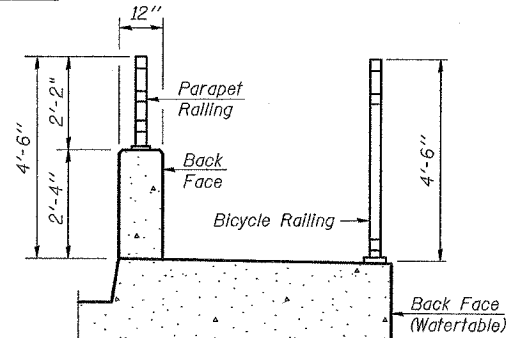
PARAPET RAILING ELEVATION
(Inside Face of Two Element Rail)



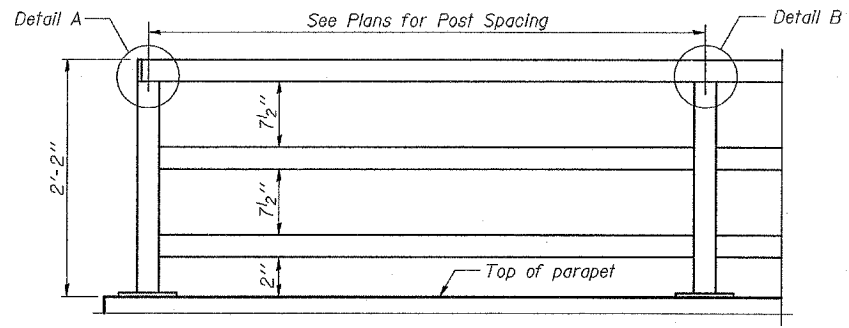
PARAPET RAILING ELEVATION AT EXPANSION JOINT



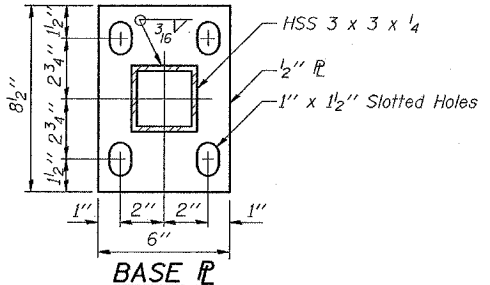
SECTION THRU DECK



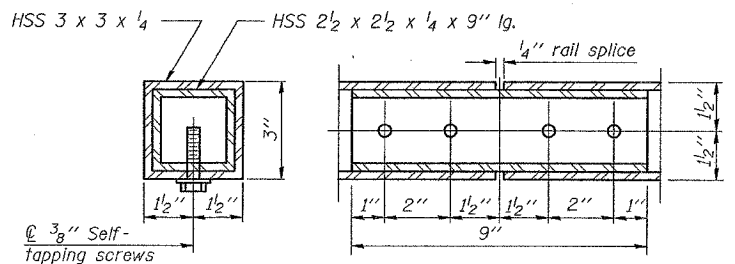
SECTION THRU SIDEWALK



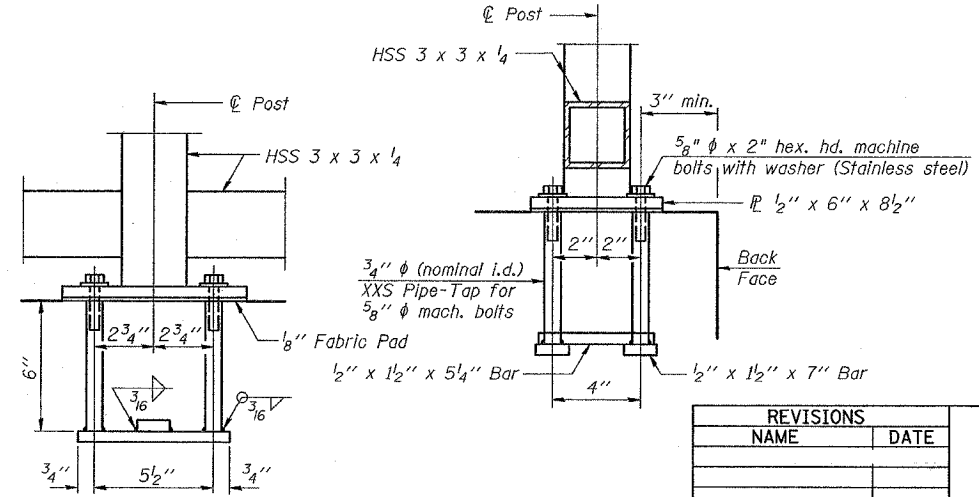
PARAPET RAILING ELEVATION
(Inside Face of Three Element Rail)



BASE PLATE



RAIL SPLICE



ANCHOR BOLT DETAILS

In lieu of the cast-in-place anchor device shown, the Contractor has the option of drilling and setting 5/8" anchor rods according to Article 509.06 of the Standard Specifications. Embedment shall be according to the manufacturer's specifications.

BILL OF MATERIAL

Item	Unit	Quantity
Parapet Railing	Foot	295
Parapet Railing Coating	Foot	295

SHEET S-22 OF S-53

REVISIONS	
NAME	DATE

ILLINOIS DEPARTMENT OF TRANSPORTATION
PARAPET RAILING DETAILS
 ILLINOIS 60 OVER I-94
 F.A.P. RTE. 335 SECTION 119R-2
 LAKE COUNTY STA. 445+54.14
 S.N. 049-2012 ISTHA BRIDGE NO. 407
 DESIGNED BY: DE
 DRAWN BY: DE
 CHECKED BY: SP
 SCALE:
 DATE: MAY 8, 2007

TYLIN INTERNATIONAL

P:\6024581\60B01\Structural\Ina\N160br rail2.dgn 07/19/2007 04:46:24 PM