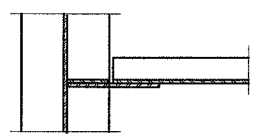
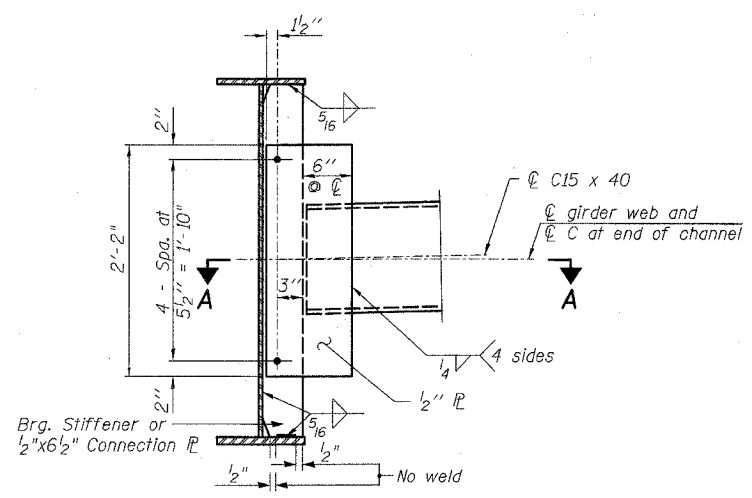


F.A.P. RTE.	SECTION	COUNTY	TOTAL SHEETS	SHEET NO.
335	119R-2	LAKE	439	272
STA. 432+83.12		TO STA. 470+56.84		
FED. ROAD DIST. NO.	ILLINOIS	FED. AID PROJECT		

60B01



SECTION A-A

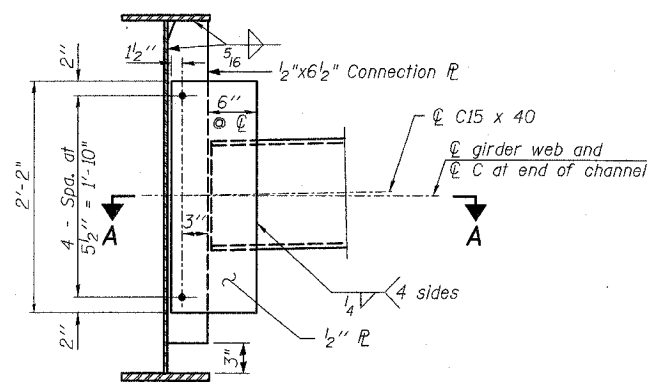


DIAPHRAGM D1, D4

33 Required D1
27 Required D4

Note:
Two hardened washers required for each set of oversized holes.

Fasteners shall be 3/4" ϕ HS bolts, 15/16" ϕ holes

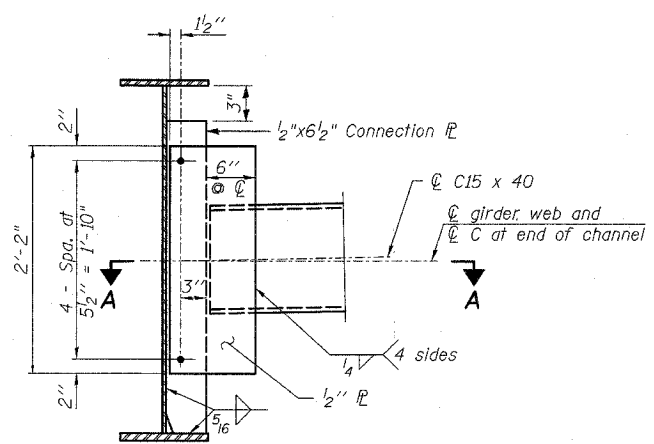


DIAPHRAGM D2, D5

60 Required D2
54 Required D5

Note:
Two hardened washers required for each set of oversized holes.

Fasteners shall be 3/4" ϕ HS bolts, 15/16" ϕ holes

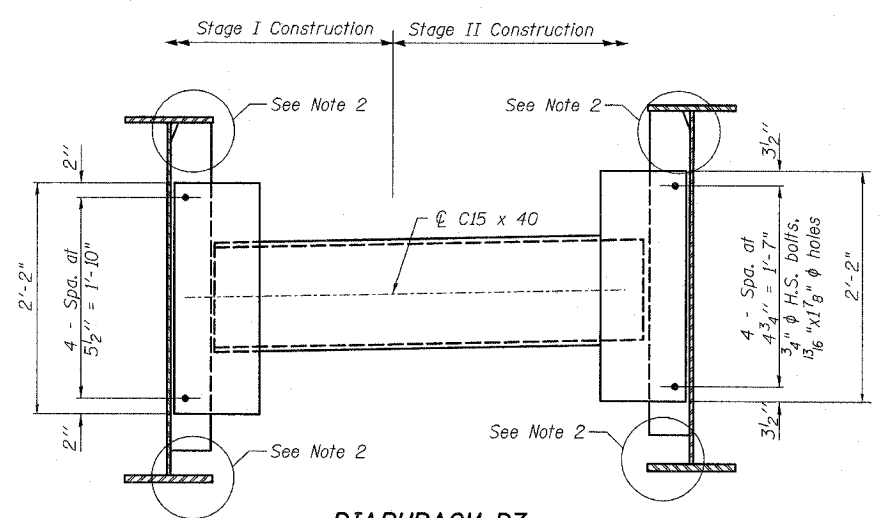


DIAPHRAGM D3, D6

20 Required D3
18 Required D6

Note:
Two hardened washers required for each set of oversized holes.

Fasteners shall be 3/4" ϕ HS bolts, 15/16" ϕ holes



DIAPHRAGM D7
8 Required

Notes:

- All details and notes similar to Diaphragm D2 or D3, except as noted.
- Diaphragm D7 that is placed transversely in-line with Diaphragm D2 shall be detailed similar to D2. Diaphragm D7 that is placed transversely in-line with Diaphragm D3 shall be detailed similar to D3.
- Bolts in slots shall be finger tight until Stage II deck pour is complete.
- Slots shall be positioned such that under no concrete load, bolts are at low end of slot and finish near opposite end of slot under deck load.

TYLIN INTERNATIONAL

REVISIONS	
NAME	DATE

ILLINOIS DEPARTMENT OF TRANSPORTATION
DIAPHRAGM DETAILS
 ILLINOIS 60 OVER I-94
 F.A.P. RTE. 335 SECTION 119R-2
 LAKE COUNTY STA. 445+54.14
 S.N. 049-2012 ISTHA BRIDGE NO. 407
 DESIGNED BY: SP
 DRAWN BY: SNB
 CHECKED BY: PDF
 SCALE:
 DATE: MAY 8, 2007

SHEET S-25 OF S-53

P:\602458\1160\STRUCT\1160N\LG08\FRT\LS2.DGN 05/03/2007 04:30:38 PM