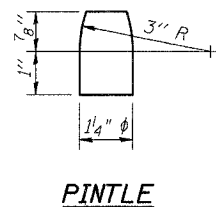
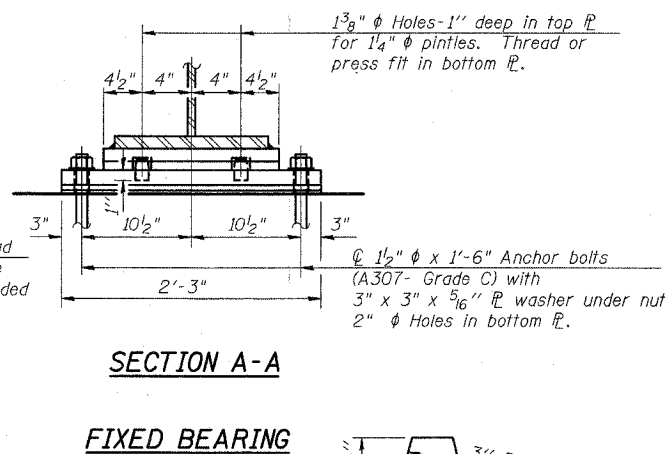
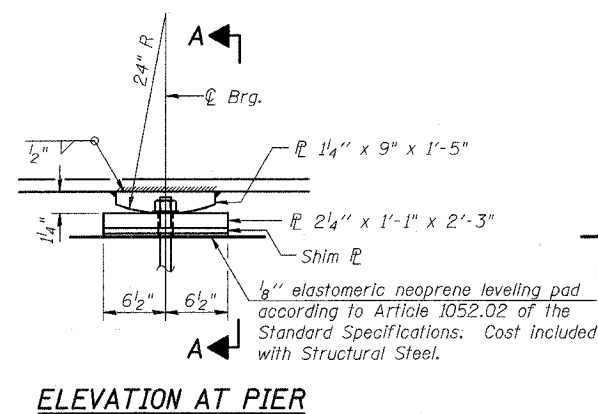
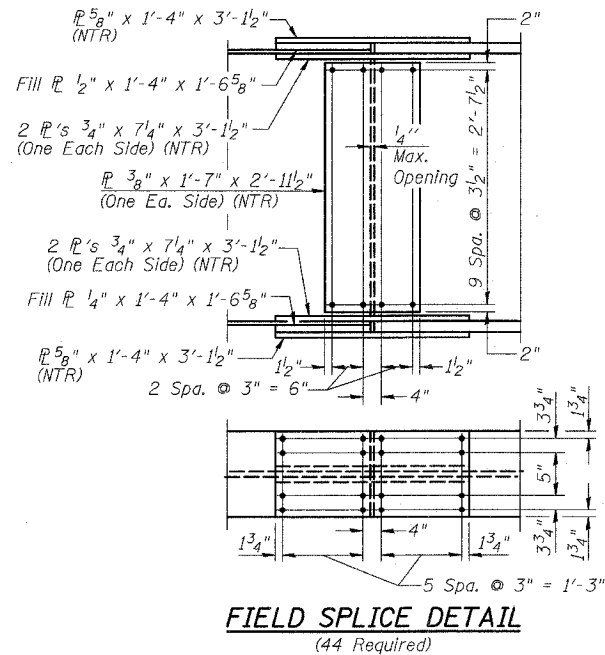


F.A.P. RTE.	SECTION	COUNTY	TOTAL SHEETS	SHEET NO.
335	119R-2	LAKE	439	273
STA. 432+83.12		TO STA. 470+56.84		
FED. ROAD DIST. NO.	ILLINOIS	FED. AID PROJECT		

60B01



NOTES FOR FIXED BEARINGS:

- The structural steel plates of the bearing assembly shall conform to the requirements of AASHTO M270 Grade 50.
- Two 1/8" adjusting shims shall be provided for each bearing in addition to all other plates or shims and placed as shown on bearing details.
- Bearing plates, side retainers, anchor bolts, nuts, washers, and pintles shall be galvanized according to AASHTO M111 or M232.
- H.S. Bolts in bearing assembly shall be galvanized according to AASHTO M298 Class 50.
- Anchor bolts shall be ASTM F1554 all-thread (or an Engineer-approved alternate material) of the grade(s) and diameter(s) specified. ASTM A307 Grade C anchor bolts may be used in lieu of ASTM F1554 Grade 36 (Fy=36ksi). The corresponding specified grade of AASHTO M314 anchor bolts may be used in lieu of ASTM F1554.
- Anchor bolts at fixed bearings may be either cast in place or installed in holes drilled after the supported member is in place.
- Drilled and set anchor bolts shall be installed according to Article 521.06 of the Standard Specifications.

BILL OF MATERIAL

Item	Unit	Total
Anchor Bolts 1 1/2" ϕ	Each	44

SHEET S-26 OF S-53

REVISIONS	
NAME	DATE

ILLINOIS DEPARTMENT OF TRANSPORTATION
FIELD SPLICE & BEARING DETAILS
 ILLINOIS 60 OVER I-94
 F.A.P. RTE. 335 SECTION 119R-2
 LAKE COUNTY STA. 445+54.14
 S.N. 049-2012 ISTHA BRIDGE NO. 407
 DESIGNED BY: SP,PL
 DRAWN BY: SNB
 SCALE: DATE: MAY 8, 2007 CHECKED BY: PDF

TYLIN INTERNATIONAL

P:\60245811\60A\Structural\119R\160BRF-RDT.LSS.DGN

05/03/2007 04:30:40 PM