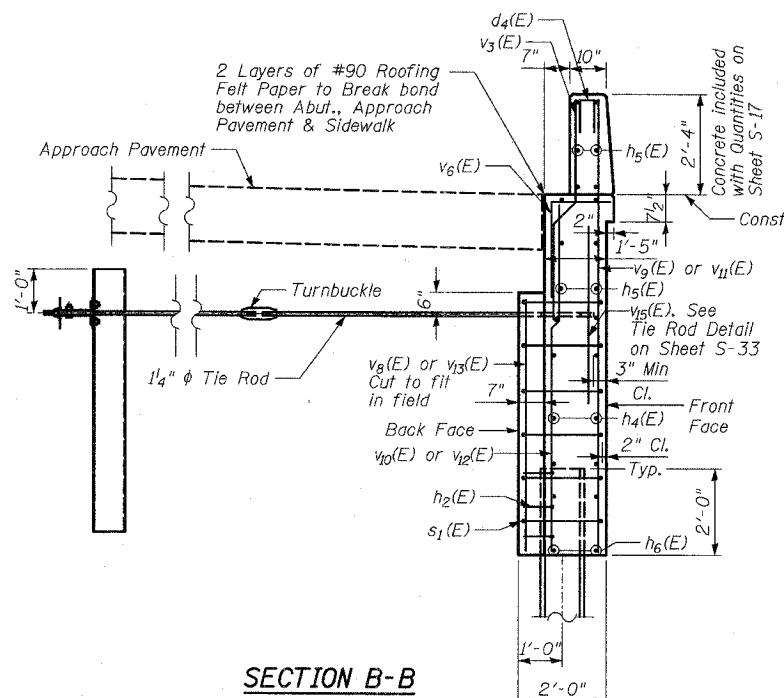
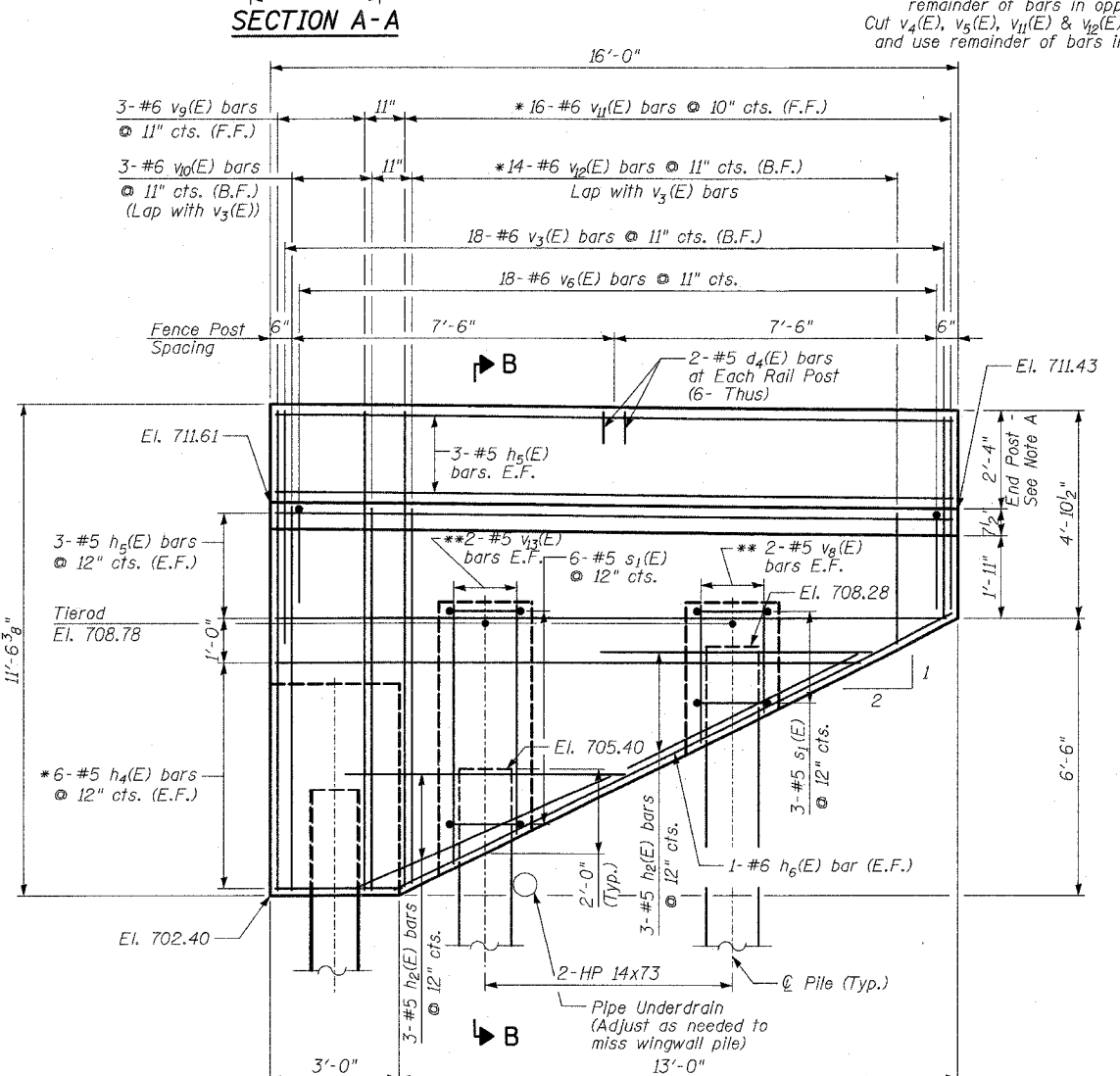
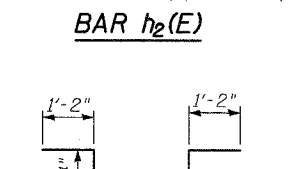
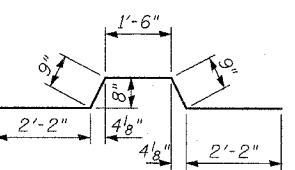
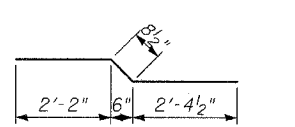
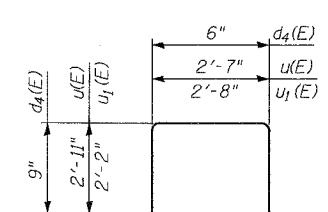
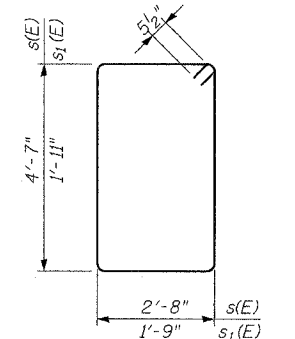
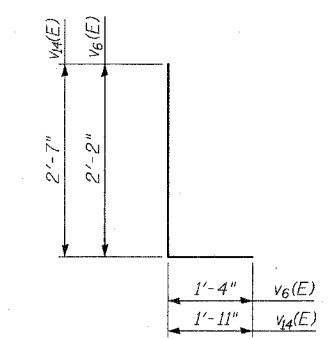
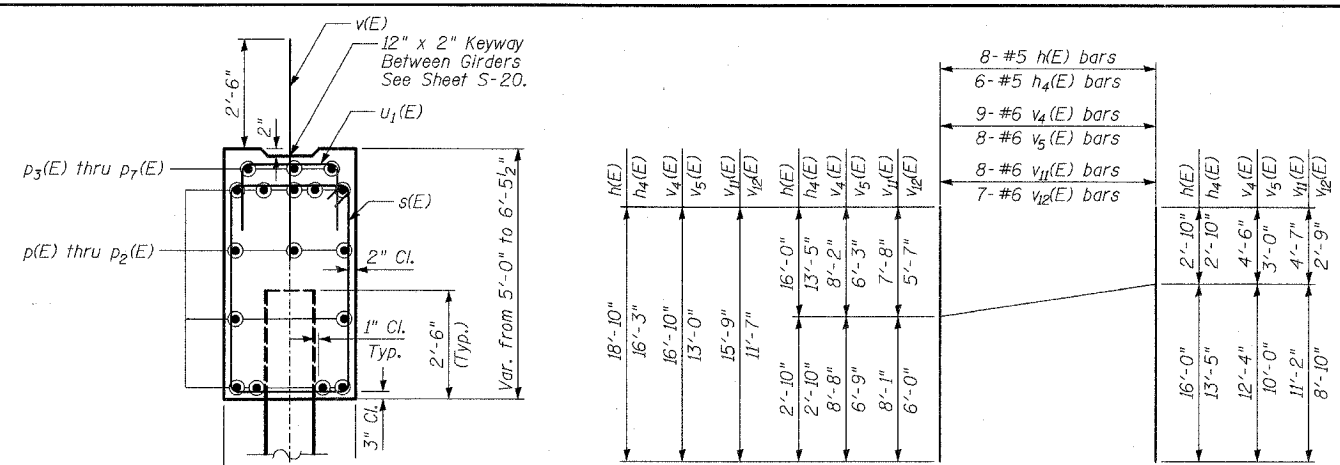


F.A.P. RTE.	SECTION	COUNTY	TOTAL SHEETS	SHEET NO.
335	119R-2	LAKE	439	276
STA. 432+83.12		TO STA. 470+56.84		
FED. ROAD DIST. NO.	ILLINOIS	FED. AID PROJECT		

60B01

BILL OF MATERIAL

Bar	No.	Size	Length	Shape
d ₄ (E)	12	#5	2'-0"	U
d ₆ (E)	6	#6	7'-2"	U
h(E)	8	#5	18'-10"	—
h ₁ (E)	12	#5	18'-2"	—
h ₂ (E)	12	#5	7'-4"	—
h ₃ (E)	2	#6	17'-3"	—
h ₄ (E)	6	#5	16'-3"	—
h ₅ (E)	12	#5	15'-8"	—
h ₆ (E)	2	#6	14'-6"	—
p(E)	28	#7	31'-9"	—
p ₁ (E)	14	#7	20'-8"	—
p ₂ (E)	28	#7	37'-0"	—
p ₃ (E)	6	#5	23'-8"	—
p ₄ (E)	3	#5	7'-0"	—
p ₅ (E)	3	#5	20'-8"	—
p ₆ (E)	3	#5	20'-0"	—
p ₇ (E)	3	#5	22'-8"	—
s(E)	132	#5	15'-5"	—
s ₁ (E)	19	#5	8'-3"	—
u(E)	4	#5	8'-5"	—
u ₂ (E)	115	#5	7'-0"	—
v(E)	128	#8	5'-0"	—
v ₁ (E)	3	#6	12'-4"	—
v ₂ (E)	3	#6	10'-0"	—
v ₃ (E)	39	#6	5'-3"	—
v ₄ (E)	9	#6	16'-10"	—
v ₅ (E)	8	#6	13'-0"	—
v ₆ (E)	39	#6	3'-6"	L
v ₇ (E)	4	#5	6'-4"	—
v ₈ (E)	8	#5	3'-0"	—
v ₉ (E)	3	#6	11'-2"	—
v ₁₀ (E)	3	#6	8'-10"	—
v ₁₁ (E)	8	#6	15'-9"	—
v ₁₂ (E)	7	#6	11'-7"	—
v ₁₃ (E)	4	#5	5'-10"	—
v ₁₄ (E)	3	#6	4'-6"	L
v ₁₅ (E)	4	#10	4'-0"	—
Porous Granular Embankment, Special		Cu Yd	367	
Structure Excavation		Cu Yd	188	
Concrete Structures		Cu Yd	112	
Reinforcement Bars, Epoxy Coated		Pound	12,290	
Furnishing Steel Piles, HP14x73		Foot	1,529	
Driving Piles		Foot	1,529	
Test Pile Steel HP14x73		Each	1	
Pile Shoes		Each	30	
Geocomposite Wall Drain		Sq Yd	143	
Bar Splicers		Each	14	
Permanent Steel Sheet Piling		Sq Ft	264	
Concrete Encasement		Cu Yd	16	



LEGEND
 E.F. - Denotes Each Face.
 B.F. - Denotes Back Face.
 F.F. - Denotes Front Face.

NOTES
 1. Quantity of Concrete in End Post included with Concrete Superstructure on Sheet S-17.
 2. For Details on Bar Splicers, See Sheet S-38.
 3. For Details on Piles and Concrete Encasement, See Sheet S-39. Concrete Encasement shall be used on each Abutment and Wingwall Pile.

REVISIONS	
NAME	DATE

ILLINOIS DEPARTMENT OF TRANSPORTATION
WEST ABUTMENT DETAILS - II
 ILLINOIS 60 OVER I-94
 F.A.P. RTE. 335 SECTION 119R-2
 LAKE COUNTY STA. 445+54.14
 S.N. 049-2012 ISTHA BRIDGE NO. 407
 DESIGNED BY: TB
 DRAWN BY: TB
 SCALE: DATE: MAY 8, 2007
 CHECKED BY: SP

TYLIN INTERNATIONAL

Note A:
 End Post shall be poured after Bridge Parapet is in place. Form top surface to match Parapet grade.

P:\60245811-60\Structural\160160R\wabut3.DGN 05/03/2007 04:30:44 PM