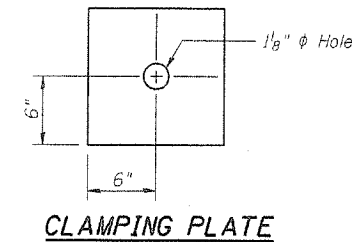
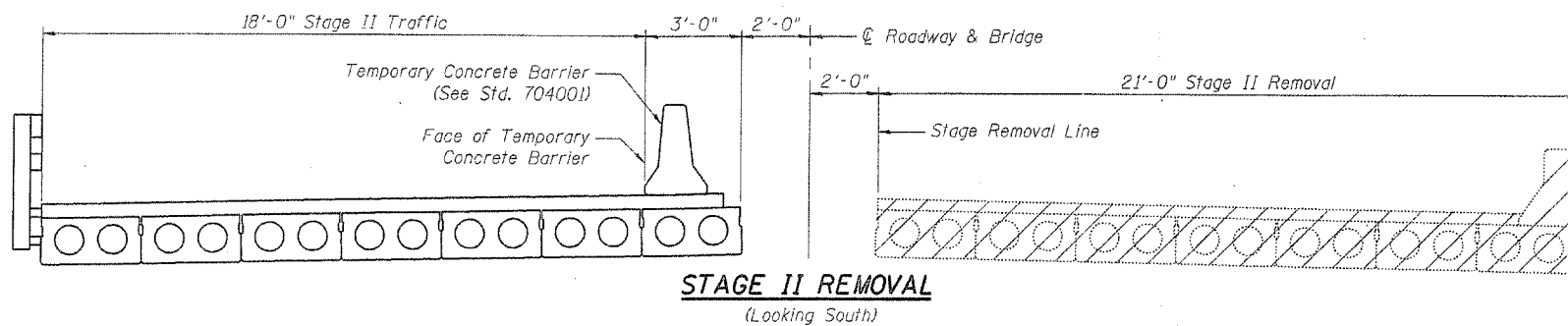
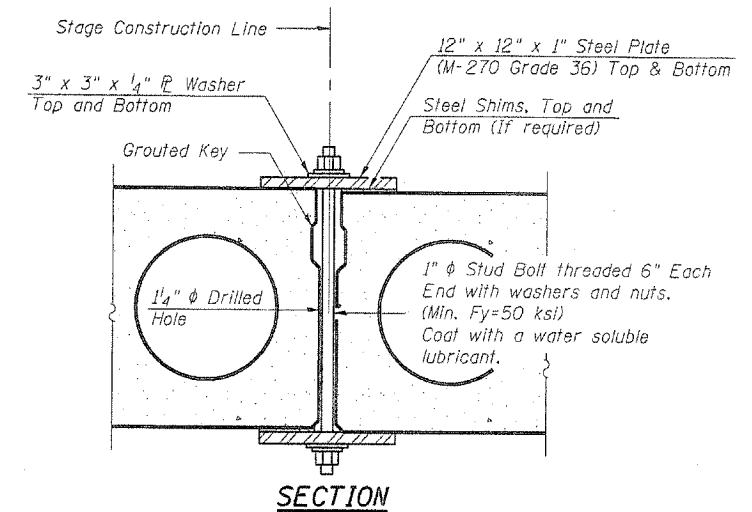
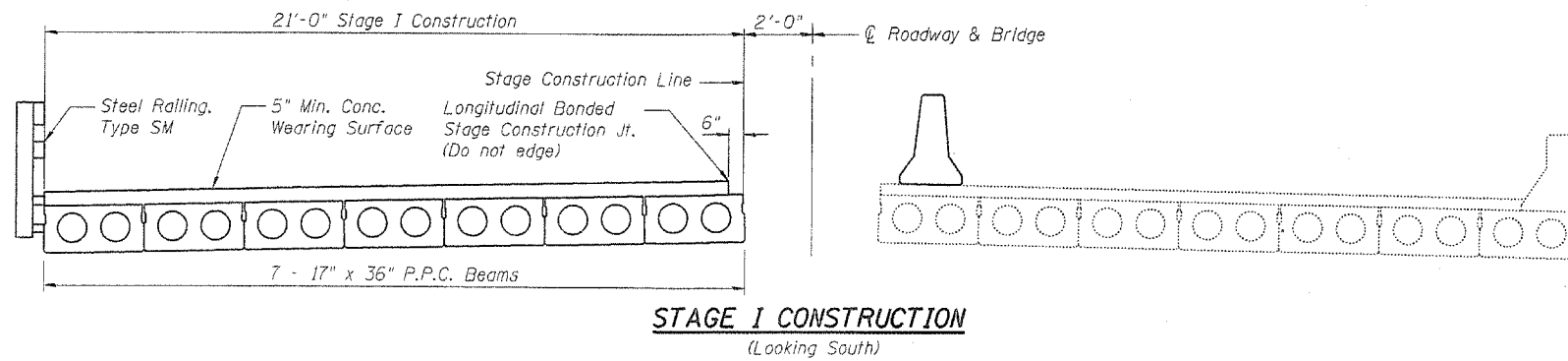
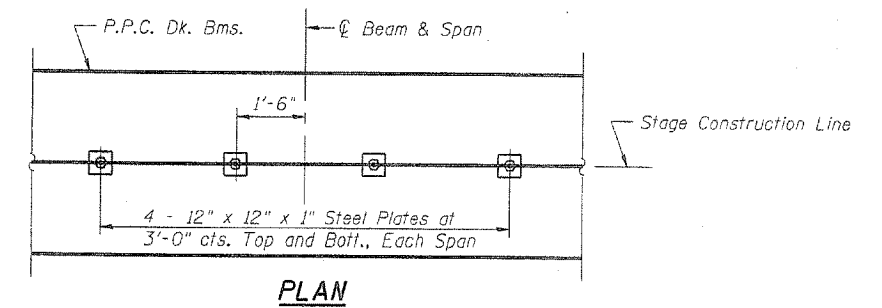
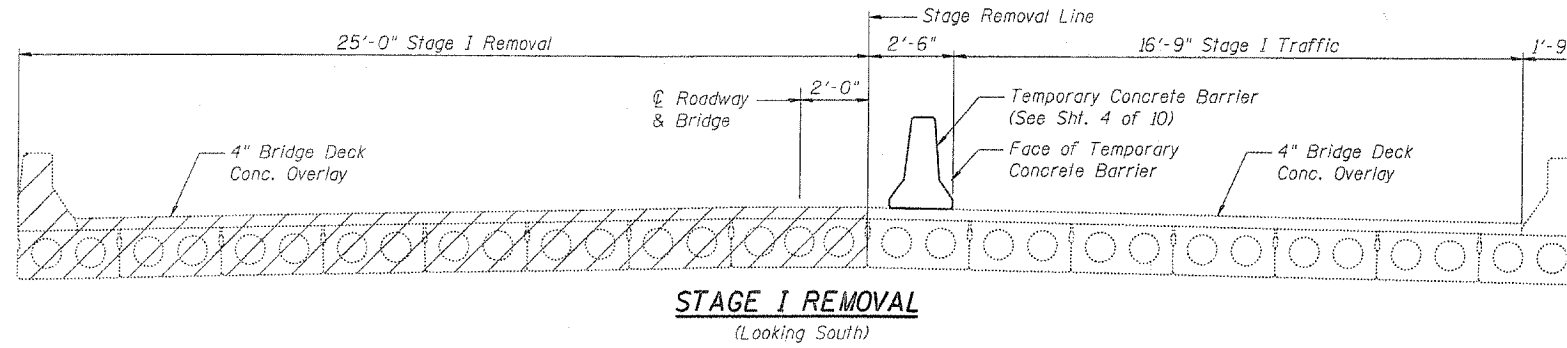


STATE OF ILLINOIS
DEPARTMENT OF TRANSPORTATION

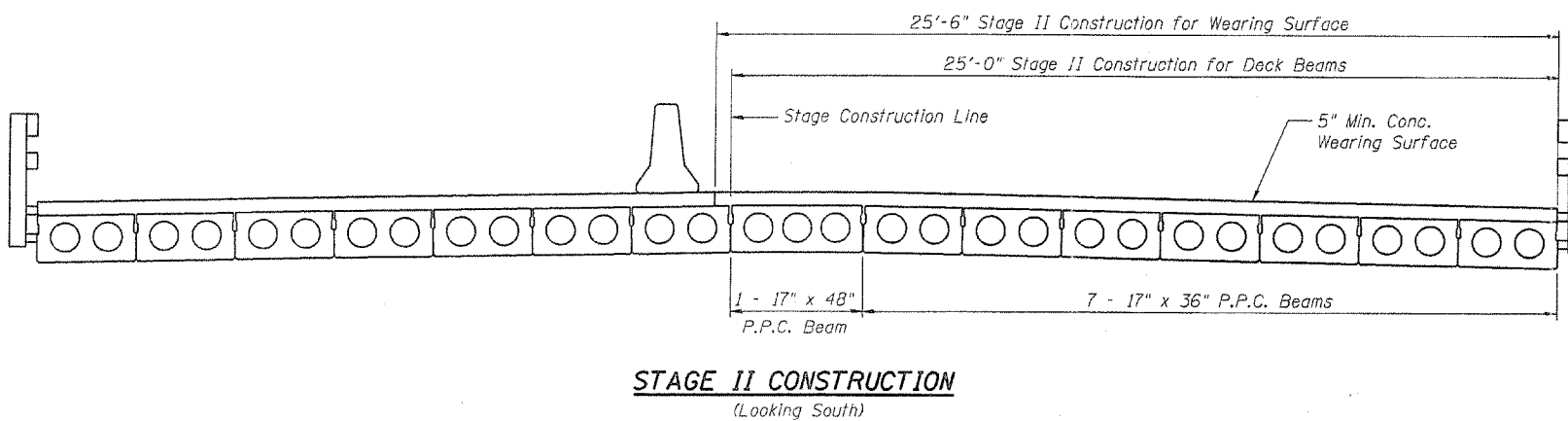
ROUTE NO.	SECTION	COUNTY	SHEETS	SHEET	SHEET NO. 3 10 SHEETS
SA 13	*	Kane	21	9	
FED. ROAD DIST. NO. 7		ILLINOIS	FED. AID PROJECT		

Contract # 60B81 * A9 BR-1



SHEAR KEY CLAMPING DETAILS AT STAGE CONST. JT.

1. See Standard Specifications for Stage Construction of Precast Prestressed Concrete Deck Beams.
2. Cost included with "Precast Prestressed Concrete Deck Beams".
3. See Stage Construction Details on Roadway Plans for traffic lanes.



STAGE CONSTRUCTION
S.A. 13 (IL RTE. 25)
OVER NORTON CREEK
S.A. RTE. 13 (F.A.S. 106)
KANE COUNTY, STA. 61+92.50
STRUCTURE NO. 045-0045

DESIGNED DDB	EXAMINED 200
CHECKED LLV	PASSED ENGINEER OF BRIDGE DESIGN
DRAWN MGM	PASSED ENGINEER OF BRIDGES AND STRUCTURES
CHECKED DDB	

STS CONSULTANTS
111 NE Jefferson Ave.
Peoria, Illinois 61602
Ph (309) 676-8464
FAX (309) 676-5445
IL Design Firm Reg. No. 184-001518