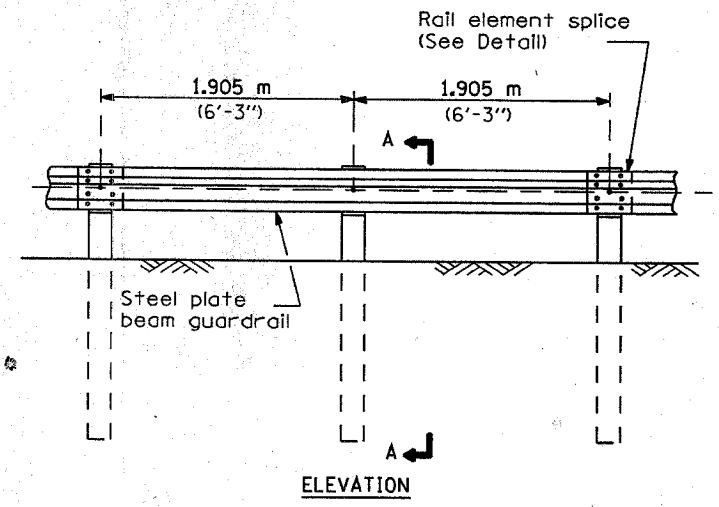
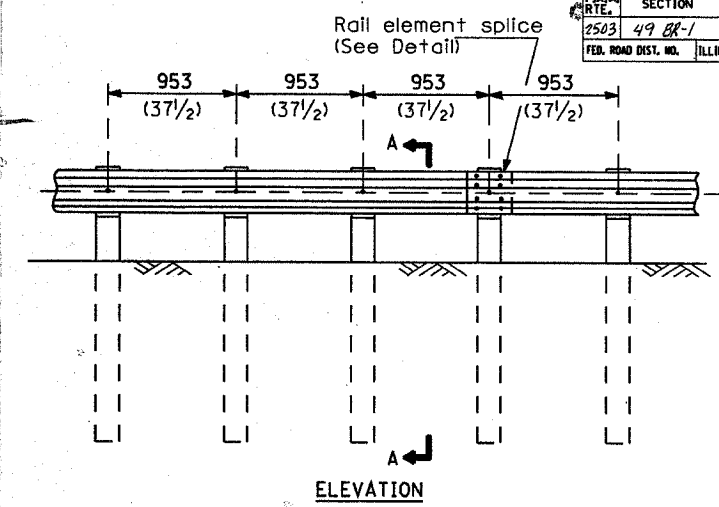
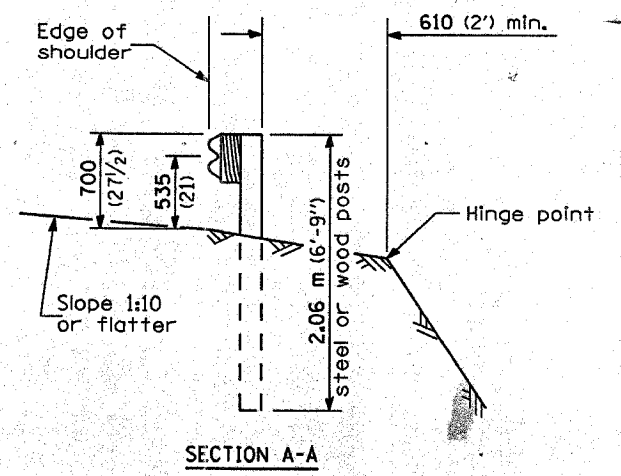


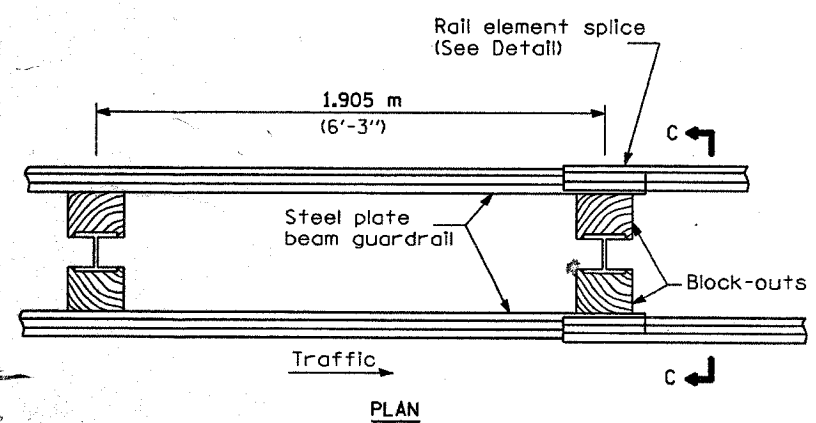
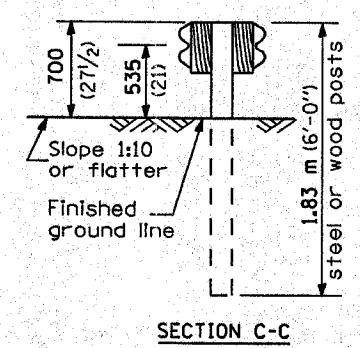
Contract 60881				
F.A.A. RTE.	SECTION	COUNTY	TOTAL SHEETS	SHEET NO.
2503	49 BR-1	Kane	27	27A
FED. ROAD DIST. NO.	ILLINOIS	FED. AID PROJECT		



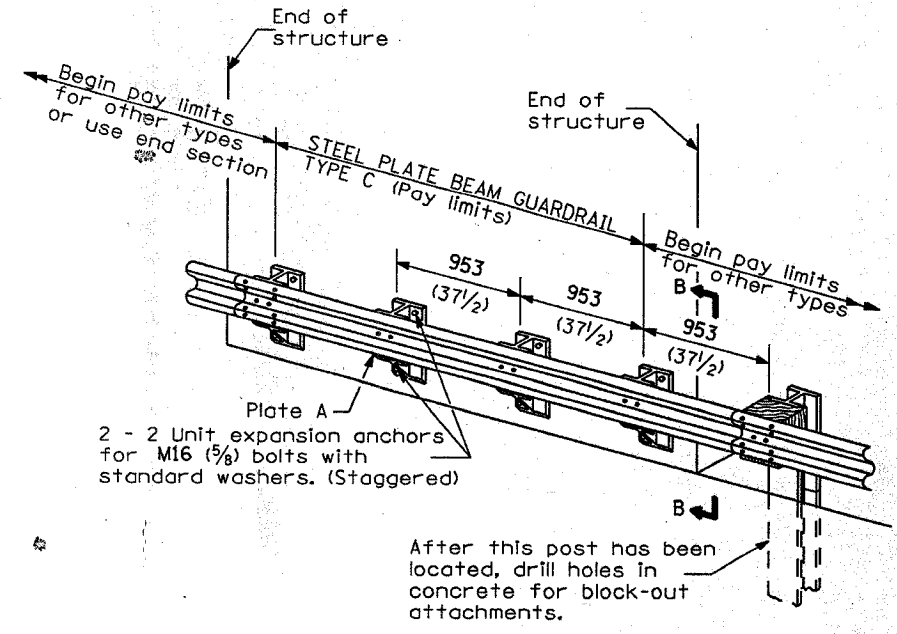
TYPE A
1.905 m (6'-3") Typical post spacing



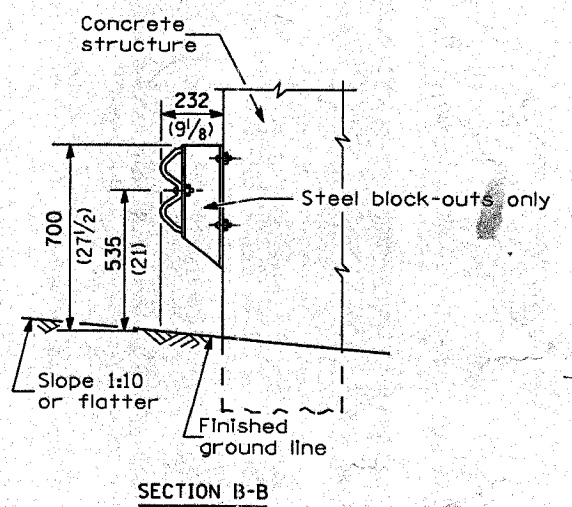
TYPE B
953 (37 1/2) Closed post spacing



TYPE D
Double steel plate beam guardrail
1.905 m (6'-3") typical post spacing



TYPE C
953 (37 1/2) Block-out spacing



GENERAL NOTES

All slope ratios are expressed as units of vertical displacement to units of horizontal displacement (V:H).
 All dimensions are in millimeters (inches) unless otherwise shown.
 The existing steel posts may be drilled to match the bolt pattern shown herein for the wood block-out, or a new steel post shall be provided.
 This detail is applicable to the guardrail system used prior to January 1, 2007.
 For details on the Midwest Guardrail System, see Standard 630001.

**REMOVE AND REERECT
STEEL PLATE BEAM GUARDRAIL**
(Sheet 1 of 4)

DETAIL