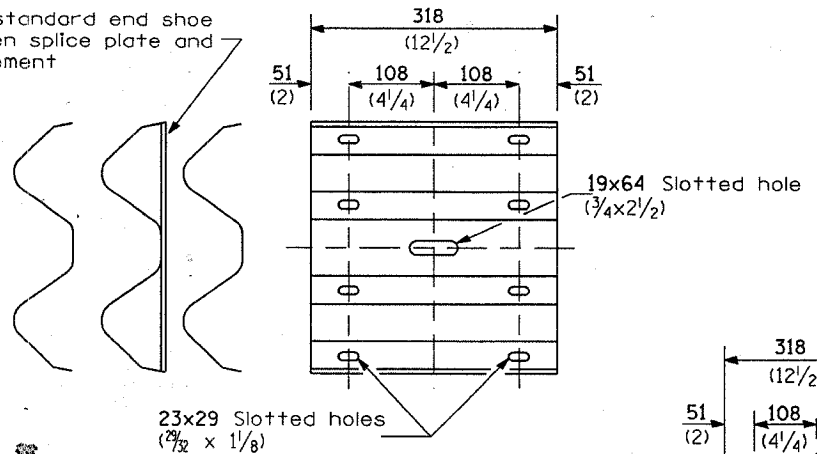


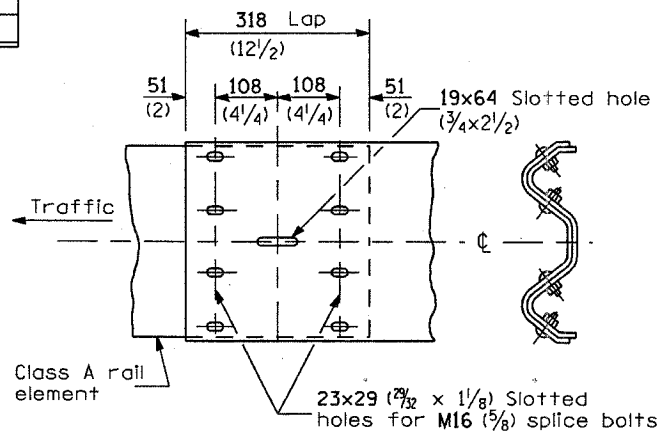
Contract 60881

F.A.A. RTE.	SECTION	COUNTY	TOTAL SHEETS	SHEET NO.
2505	4908-1	KANE	27	27C
FED. ROAD DIST. NO.	ILLINOIS	FED. AID PROJECT		

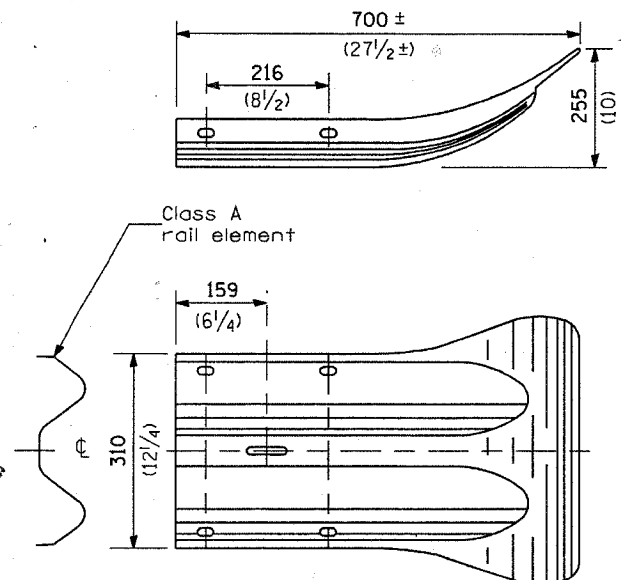
Place standard end shoe between splice plate and rail element



SPLICE PLATE



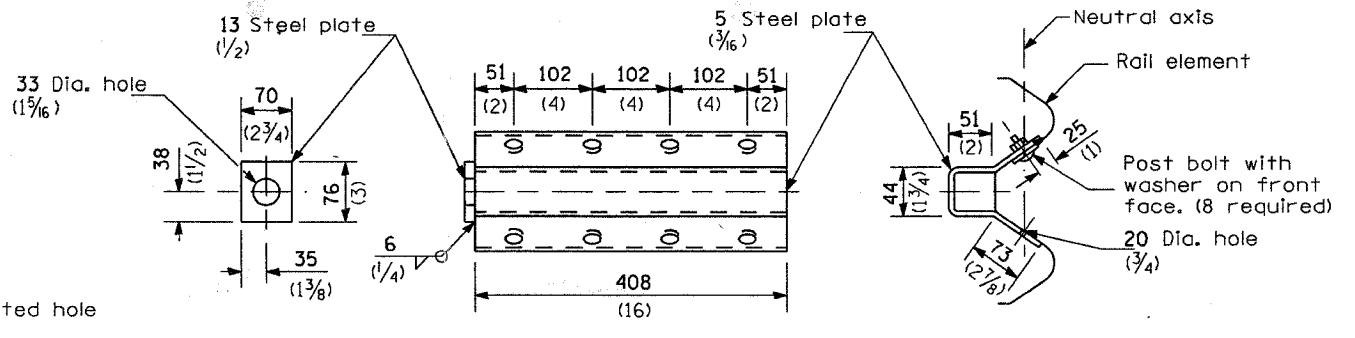
RAIL ELEMENT SPLICE



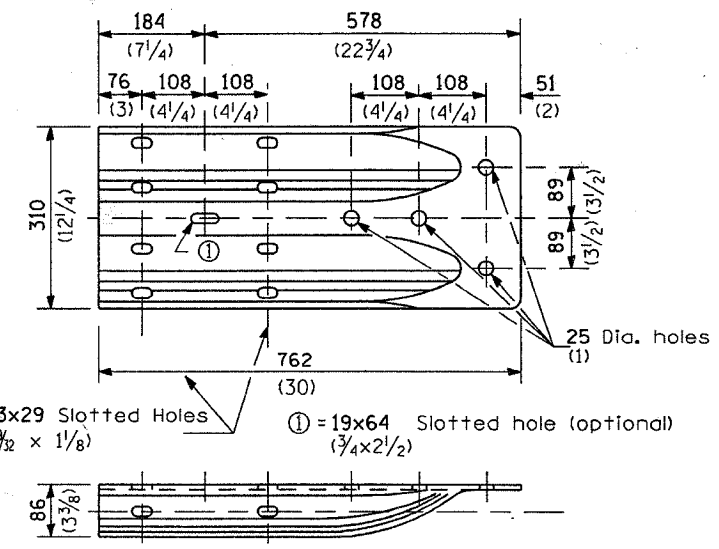
END SECTION

NOTE
When end shoe is attached to a bridge parapet which has an expansion joint, the bolts shall be provided with a locknut or double nut and shall be tightened only to a point that will allow guardrail movement.
The standard end shoe shall be attached to the concrete with pre-drilled or self-drilling anchor bolts. The anchor cone shall be set flush with the surface of the concrete.
Externally threaded studs protruding from the surface of the concrete will not be permitted.

END SHOE



ANCHOR PLATE T DETAILS



ALTERNATE END SHOE

**REMOVE AND REERECT
STEEL PLATE BEAM GUARDRAIL**
(Sheet 3 of 4)
DETAIL