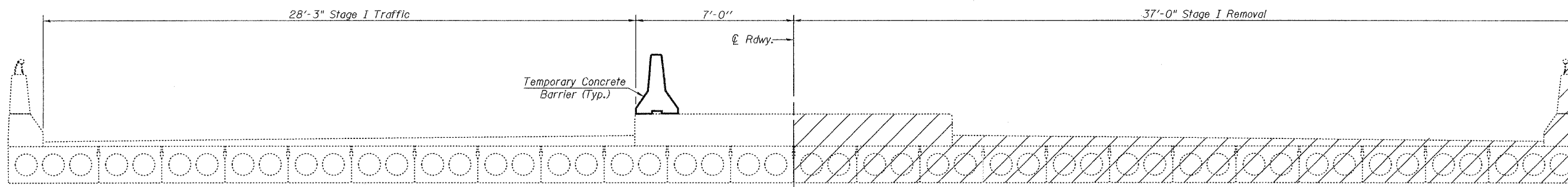


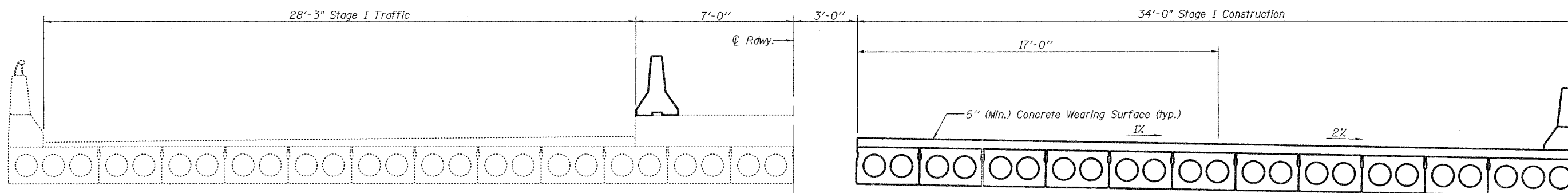
STATE OF ILLINOIS
DEPARTMENT OF TRANSPORTATION

ROUTE NO.	SECTION	COUNTY	TOTAL SHEETS	SHEET NO.	SHEET NO. 2
F.A.U. 1320 (IL50)	581 EXT - BR	COOK	46	21	11 SHEETS
FED. ROAD DIST. NO. 7	ILLINOIS	FED. AID PROJECT			

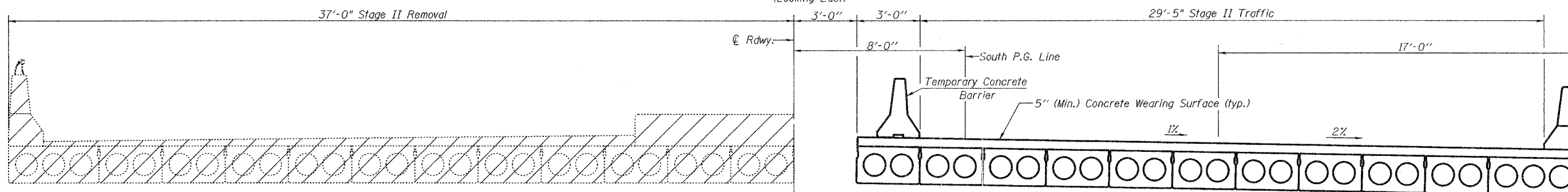
Contract #60B82



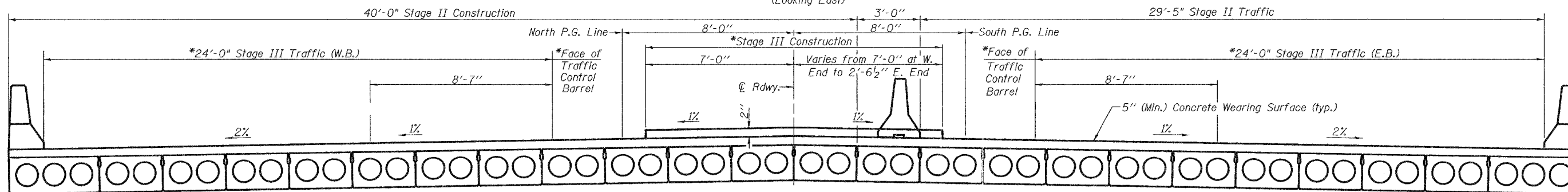
STAGE I REMOVAL
(Looking East)



STAGE I CONSTRUCTION
(Looking East)



STAGE II REMOVAL
(Looking East)



STAGE II CONSTRUCTION
(Looking East)

DESIGNED	Dhruv P. Narielwala
CHECKED	Stephen M. Ryan
DRAWN	R. Sommer
CHECKED	DPN/SMR

August 10 2007

EXAMINED *Thomas J. Namagala*
ENGINEER OF BRIDGE DESIGN

PASSED *Ralph E. Anderson*
ENGINEER OF BRIDGES AND STRUCTURES

*Refers to Stage III Construction. During Stage III Construction, 2" unreinforced mountable median is to be constructed. For the details of traffic control barrel see Roadway Plans.
Volume of concrete for median is included with Concrete Superstructure on sheet 7 of 11.

Notes: Hatched area indicates "Removal of Existing Superstructures."
For quantity of Temporary Concrete Barrier, see Roadway Plans.
For details of Temporary Concrete Barrier, see sheet 3 of 11.

STAGE CONSTRUCTION DETAILS
F.A.U. RT. 1320 SEC. 581 EXT-BR
COOK COUNTY
STATION 1115+40.00
STRUCTURE NO. 016-2087