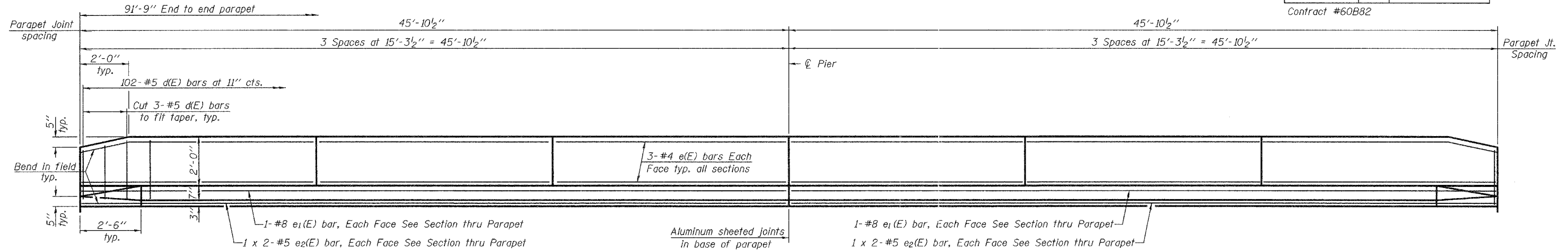


STATE OF ILLINOIS
DEPARTMENT OF TRANSPORTATION

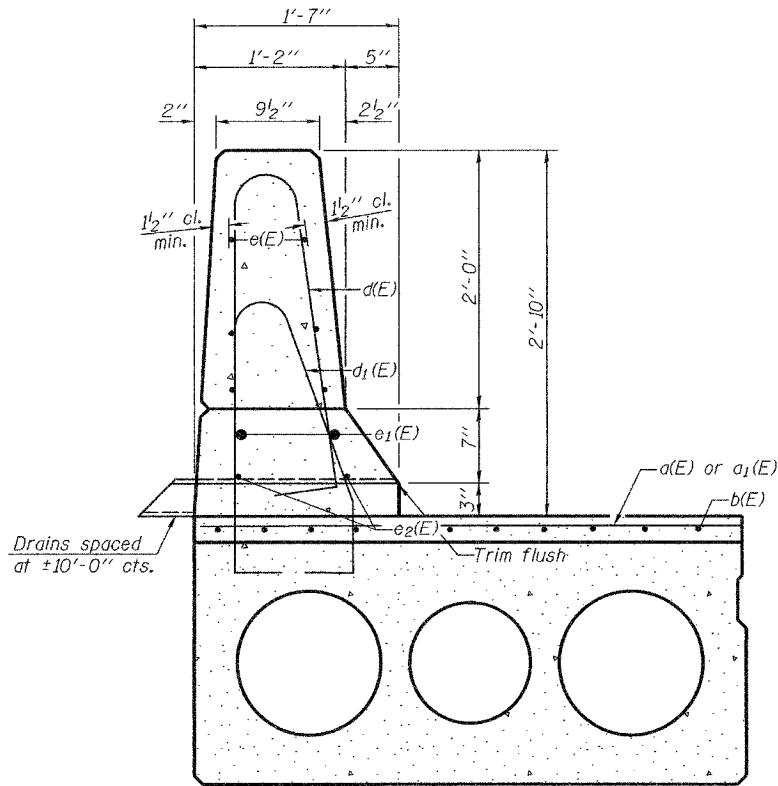
ROUTE NO.	SECTION	COUNTY	TOTAL SHEETS	SHEET NO.	SHEET NO. 7 11 SHEETS
F.A.U. 1320 (IL 58)	581 EXT -BR	COOK	46	26	
FED. ROAD DIST. NO. 7	ILLINOIS	FED. AID PROJECT	Contract #60B82		



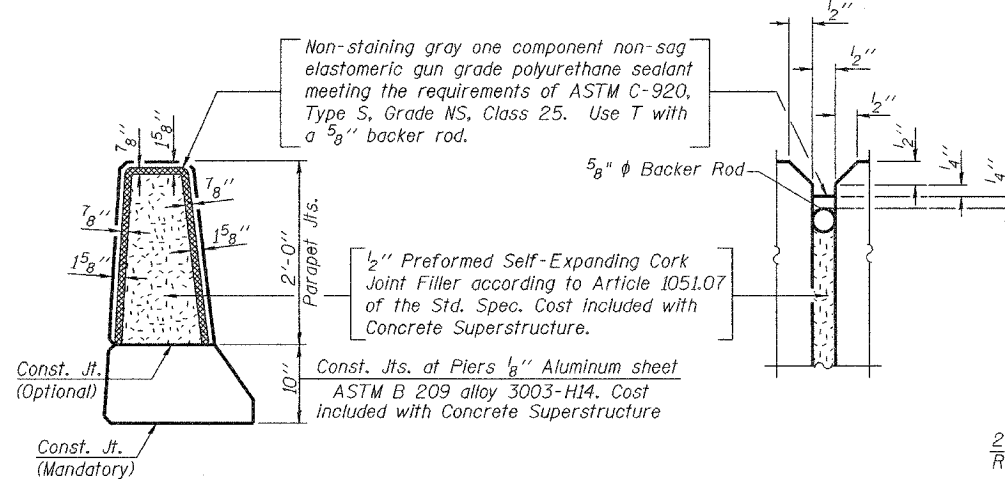
INSIDE ELEVATION OF PARAPET

MIN. BAR LAP
#5 bars = 1'-8"

*For information only. These bars are to be cast into the deck beam.
Cost included with Precast Prestressed Concrete Deck Beams (21" Depth).

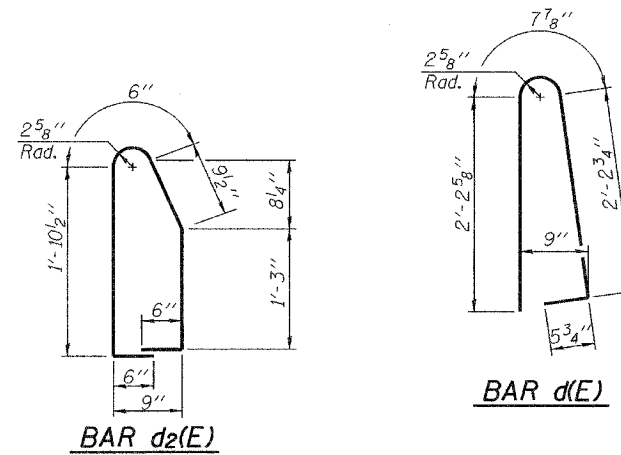


SECTION THRU PARAPET



PARAPET JOINT DETAILS

Note: Drains shall not be placed within
10'-0" from face of Pier or Abutments.
For details of v2(E) bar, see sheet 9 of 11.



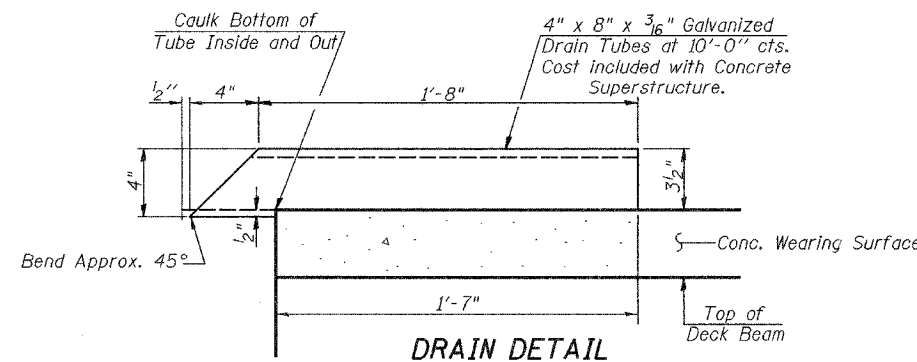
BILL OF MATERIAL

Bar	No.	Size	Length	Shape
d(E)	91	#4	33'-9"	—
a1(E)	91	#4	39'-9"	—
a2(E)	4	#4	24'-7"	—
a3(E)	4	#4	28'-10"	—
b(E)	228	#4	31'-5"	—
d(E)	204	#5	5'-7"	⏏
d1(E)	188	#5	5'-7"	⏏
d2(E)	12	#5	5'-5"	⏏
e(E)	72	#4	15'-0"	—
e1(E)	8	#8	45'-7"	—
e2(E)	16	#5	23'-8"	—
h(E)	24	#5	24'-9"	—
h1(E)	24	#5	29'-0"	—
v(E)	212	#5	2'-11"	—
v1(E)	212	#5	2'-0"	—
v2(E)	212	#5	1'-11"	⏏
v3(E)	212	#5	2'-7"	—
Reinforcement Bars, Epoxy Coated		Lbs.	16100	
Concrete Superstructure		Cu. Yds.	55.0	
Conc. Wearing Surface		Sq. Yd.	754.4	

Bars indicated thus 1 x 2-#5 etc. indicates 1 line of bars with 2 lengths per line.

PARAPET DETAILS

IL 58 (GOLF ROAD) OVER POPLAR CREEK
F.A.U. RT. 1320 SEC. 581 EXT-BR
COOK COUNTY
STATION 1115+40.00
STRUCTURE NO. 016-2087



DRAIN DETAIL

DESIGNED Dhruv P. Narielwala
CHECKED Stephen M. Ryan
DRAWN R. Sommer
CHECKED DPN/SMR

August 10 2007
EXAMINED Thomas J. Damagalaki
PASSED Robert E. Anderson