

STATE OF ILLINOIS  
DEPARTMENT OF TRANSPORTATION

ROUTE NO. F.A.U. 1320 (IL58)	SECTION 581 EXT -BR	COUNTY COOK	TOTAL SHEETS 46	SHEET NO. 30	SHEET NO. 11 11 SHEETS
FED. ROAD DIST. NO. 7		ILLINOIS FED. AID PROJECT-			

Contract #60B82

**NOTES**

Bar splicer assemblies shall be of an approved type and shall develop in tension at least 125 percent of the yield strength of the lapped reinforcement bars.  
Splicer rods shall be of minimum 60 ksi yield strength, threaded or coiled full length.  
All reinforcement bars shall be lapped and tied to the splicer rods or dowel bars.  
Bar splicer assemblies shall be epoxy coated according to the requirements for reinforcement bars.  
Other systems of similar design may be submitted to the Engineer for approval. Approval shall be based on certified test results from an approved testing laboratory that the proposed bar splicer assembly satisfies the following requirements:

- ① Minimum Capacity =  $1.25 \times f_y \times A_t$   
(Tension in kips)
  - ② Minimum \*Pull-out Strength =  $0.66 \times f_y \times A_t$   
(Tension in kips)
- Where  $f_y$  = Yield strength of lapped reinforcement bars in ksi.  
 $A_t$  = Tensile stress area of lapped reinforcement bars.  
\* = 28 day concrete

BAR SPLICER ASSEMBLIES			
Bar Size to be Spliced	Splicer Rod or Dowel Bar Length	Strength Requirements	
		Min. Capacity kips - tension	Min. Pull-Out Strength kips - tension
#4	1'-8"	14.7	7.9
#5	2'-0"	23.0	12.3
#6	2'-7"	33.1	17.4
#7	3'-5"	45.1	23.8
#8	4'-6"	58.9	31.3
#9	5'-9"	75.0	39.6
#10	7'-3"	95.0	50.3
#11	9'-0"	117.4	61.8

The diameter of this part is the same as the diameter of the bar spliced.

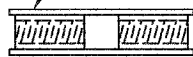
The diameter of this part is equal or larger than the diameter of bar spliced.

**ROLLED THREAD DOWEL BAR**



\*\* ONE PIECE

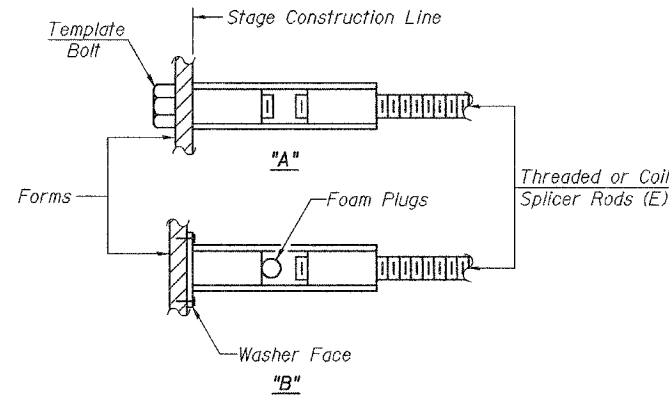
Wire Connector



WELDED SECTIONS

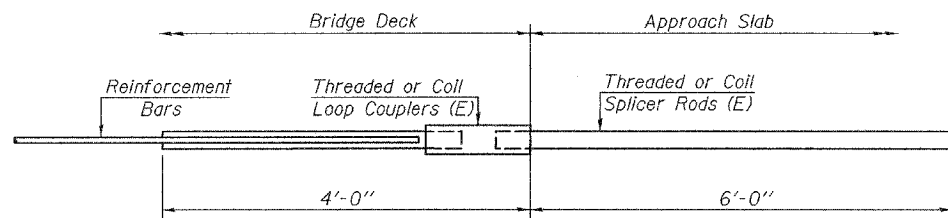
**BAR SPLICER ASSEMBLY ALTERNATIVES**

\*\*Heavy Hex Nuts conforming to ASTM A 563, Grade C, D or DH may be used.



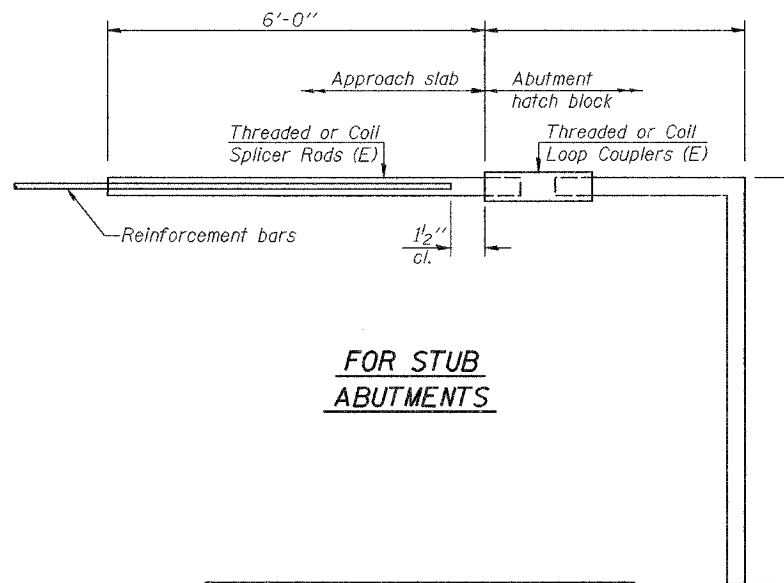
**INSTALLATION AND SETTING METHODS**

"A" : Set bar splicer assembly by means of a template bolt.  
"B" : Set bar splicer assembly by nailing to wood forms or cementing to steel forms.  
(E) : Indicates epoxy coating.



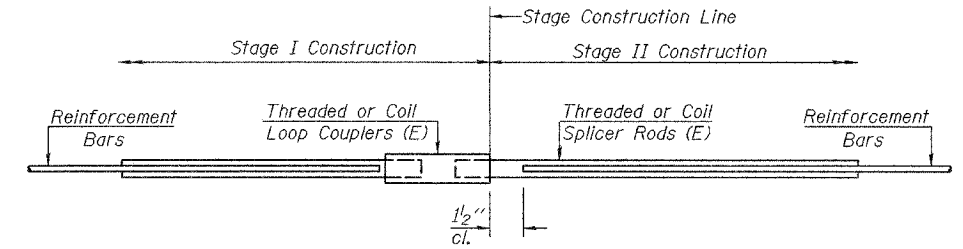
**FOR INTEGRAL OR SEMI-INTEGRAL ABUTMENTS**

Bar Splicer for #5 bar
Min. Capacity = 23.0 kips - tension
Min. Pull-out Strength = 12.3 kips - tension
No. Required =



**FOR STUB ABUTMENTS**

Bar Splicer for #5 bar
Min. Capacity = 23.0 kips - tension
Min. Pull-out Strength = 12.3 kips - tension
No. Required =



**STANDARD**

Bar Size	No. Assemblies Required	Location
#4	93	Conc. Wearing Surface
#5	12	Abut. Hatch Block

**BAR SPLICER ASSEMBLY DETAILS**  
F.A.U. RT. 1320 SEC. 581 EXT-BR  
COOK COUNTY  
STATION 1115+40.00  
STRUCTURE NO. 016-2087

DESIGNED Dhruv P. Narielwala  
CHECKED Stephen M. Ryan  
DRAWN R. Sommer  
CHECKED DPN/SMR  
BSD-1 11-1-06

August 10 2007  
EXAMINED Thomas J. Damagalabi  
PASSED Ralph E. Anderson  
ENGINEER OF BRIDGE DESIGN  
ENGINEER OF BRIDGES AND STRUCTURES