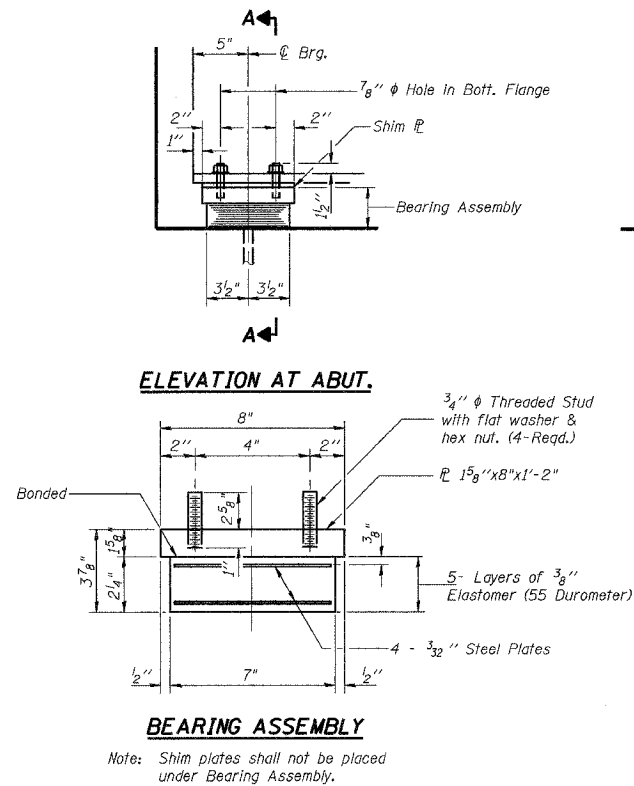


STATE OF ILLINOIS  
DEPARTMENT OF TRANSPORTATION

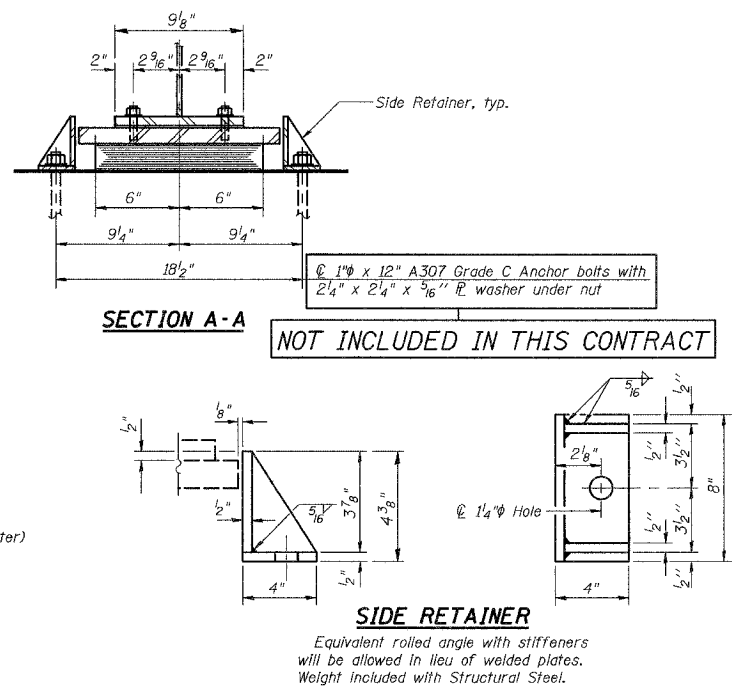
|                       |          |                  |              |           |
|-----------------------|----------|------------------|--------------|-----------|
| ROUTE NO.             | SECTION  | COUNTY           | TOTAL SHEETS | SHEET NO. |
| F. A. P.<br>846       | 4B-1-I-1 | WILL             | 39           | 12        |
| FED. ROAD DIST. NO. 7 | ILLINOIS | FED. AID PROJECT |              |           |

CONTRACT NO. 60D28

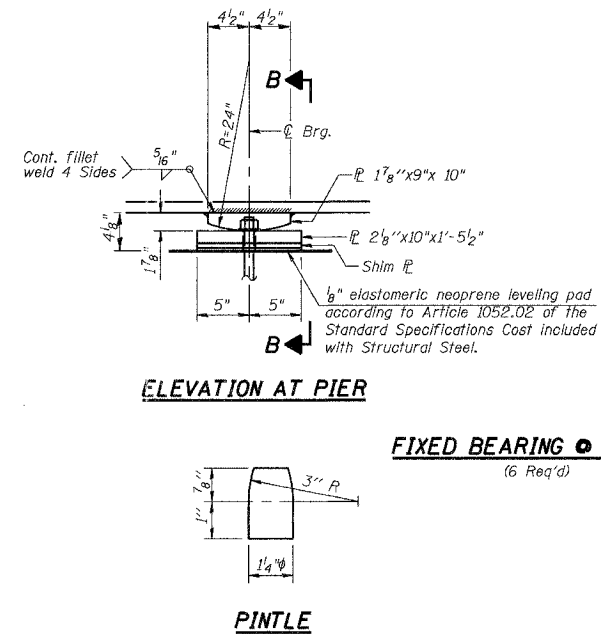
SHEET NO. S18  
SHEETS S20



**TYPE I ELASTOMERIC EXP. BRG. @ ABUTMENTS**  
(12 Req'd)

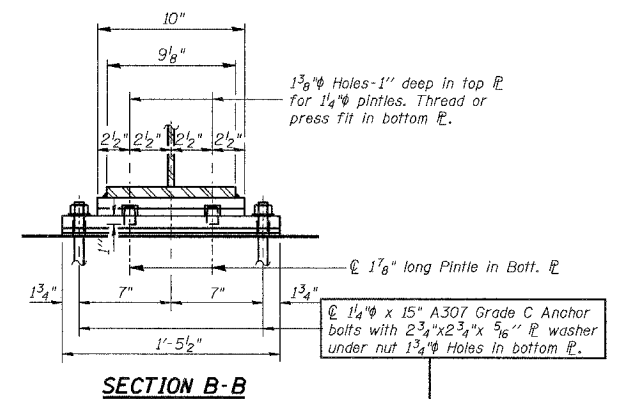


NOT INCLUDED IN THIS CONTRACT



**FIXED BEARING @ PIER #2**  
(6 Req'd)

NOT INCLUDED IN THIS CONTRACT

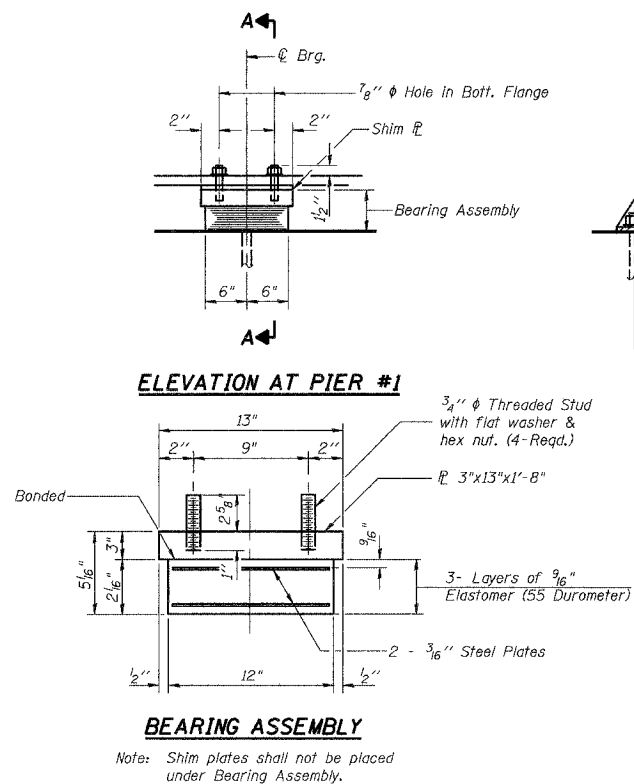


Notes:  
Anchor bolts shall be ASTM F1554 all-thread (or an Engineer-approved alternate material) of the grade(s) and diameter(s) specified. ASTM A307 Grade C anchor bolts may be used in lieu of ASTM F1554 Grade 36 (Fy=36ksf). The corresponding specified grade of AASHTO M314 anchor bolts may be used in lieu of ASTM F1554.

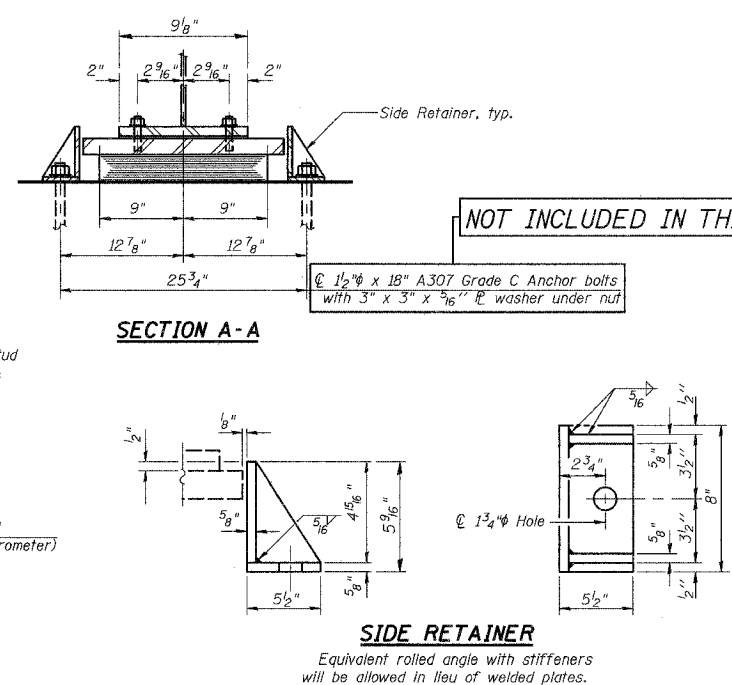
Anchor bolts of fixed bearings may be either cast in place or installed in holes drilled after the supported member is in place.  
Anchor bolts for side retainers may be cast in place or installed in holes drilled before or after members are in place.  
Drilled and set anchor bolts shall be installed according to Article 521.06 of the Standard Specifications.  
Side retainers and other steel members required for the bearing assembly shall be included in the cost of Elastomeric Bearing Assembly, Type I.

The structural steel plates of the Bearing Assembly shall conform to the requirements of AASHTO M 270 Grade 36.  
Two 1/8 in. adjusting shims shall be provided for each bearing in addition to all other plates or shims and placed as shown on bearing details.

Notes: Anchor bolts at fixed bearings may be built into the masonry.



**TYPE I ELASTOMERIC EXP. BRG. @ PIER #1**  
(6 Req'd)



NOT INCLUDED IN THIS CONTRACT

NOT INCLUDED IN THIS CONTRACT

**BILL OF MATERIAL**

| Item   | Unit | Total |
|--|------|-------|
| Furnishing Elastomeric Bearing Assembly Type I | Each | 18    |
| Anchor bolts 1 1/4"                            | Each | 24    |
| Anchor bolts 1 1/8"                            | Each | 12    |
| Anchor bolts 1 1/2"                            | Each | 12    |

|          |             |
|----------|-------------|
| DESIGNED | NDS/GMK     |
| CHECKED  | MTP/SMK/GBC |
| DRAWN    | NDS/DCB     |
| CHECKED  | SMK/GBC     |

ILLINOIS DEPARTMENT OF TRANSPORTATION

**BEARING DETAILS**

FAP 846  
NB IL. ROUTE 53 OVER PRAIRIE CREEK  
STATION 1305+00 SECTION 4-RB  
WILL COUNTY

STRUCTURE NO. 099-0090  
SCALE: NONE  
DATE: AUGUST 2007

**DEI** DELTA ENGINEERING INC.  
CONSULTING ENGINEERS, CHICAGO, ILLINOIS.