

STATE OF ILLINOIS
DEPARTMENT OF TRANSPORTATION

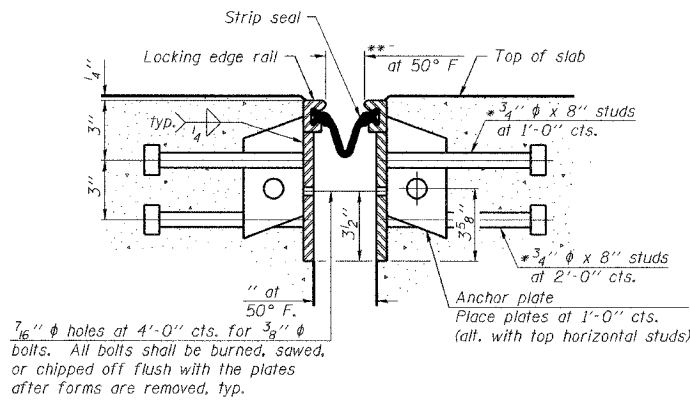
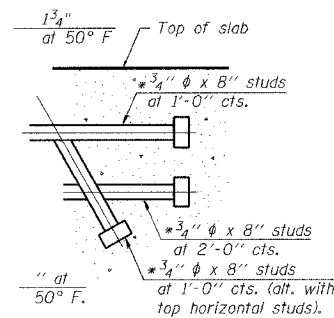
ROUTE NO.	SECTION	COUNTY	SUBDIVISION	SHEET NO.
F. A. P. 846	4B-1-1-1	WILL	39	18
FED. ROAD DIST. NO. 7	ILLINOIS	FED. AID PROJECT-		

SHEET NO. S16
SHEETS S20

CONTRACT NO. 60D26

* Granular or solid flux filled headed studs conforming to Article 1006.32 of the Std. Specs., automatically end welded.

When joint is fixed, dimension is set at 1 1/2".



Notes:

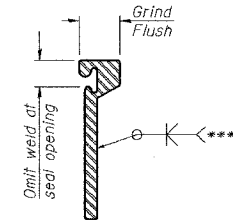
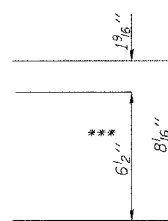
The strip seal shall be made continuous and shall have a minimum thickness of 1/4". The configuration of the strip seal shall match the configuration of the Locking Edge Rails. Open or "webbed" strip seal gland configurations are not permitted. The gland shall be sized for a maximum rated movement of 4 inches.

The height and thickness of the Locking Edge Rails shown are minimum dimensions. The actual configuration of the Locking Edge Rails and matching strip seal may vary from manufacturer to manufacturer. Flanged edge rails will not be allowed. Locking Edge Rails may be spliced at slope discontinuities and stage construction joints.

The manufacturer's recommended installation methods shall be followed. The joint opening and deck dimensions detailed on the superstructure are based on a rolled rail expansion joint. If the Contractor elects to use the welded rail expansion joint, the opening and deck dimensions shall be modified according to the dimensions detailed on this sheet. Required modifications shall be made at no additional cost to the State.

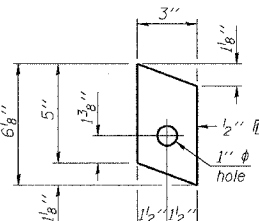
All steel components shall be galvanized after fabrication according to Article 520.03 of the Standard Specifications.

SECTION THRU
ROLLED RAIL JOINT

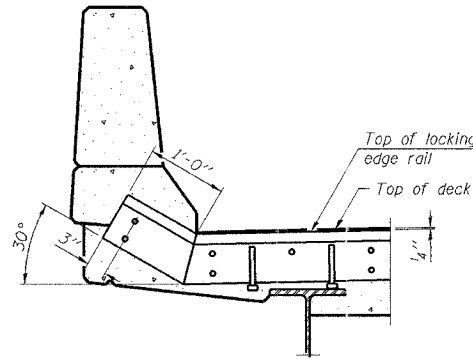


*** Back gauge not required if complete joint penetration is verified by mock-up.

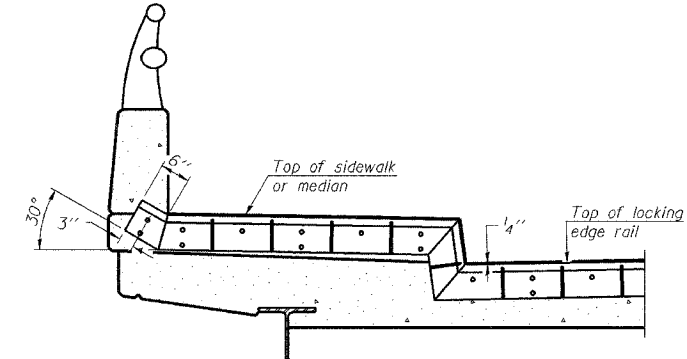
SECTION THRU
WELDED RAIL JOINT



ANCHOR PLATE
(for welded rail)



AT PARAPET



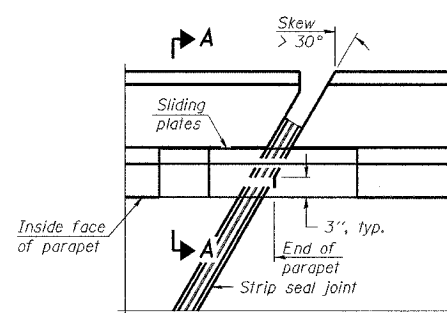
AT SIDEWALK OR MEDIAN

Shorter plates with a single row of studs at 12" cts. may be necessary on medians which are shallower than 9". See manufacturer's recommendation.

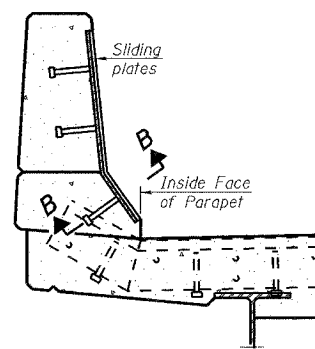
LOCKING EDGE
RAIL SPLICE

The inside of the locking edge rail groove shall be free of weld residue.

LOCKING EDGE RAILS

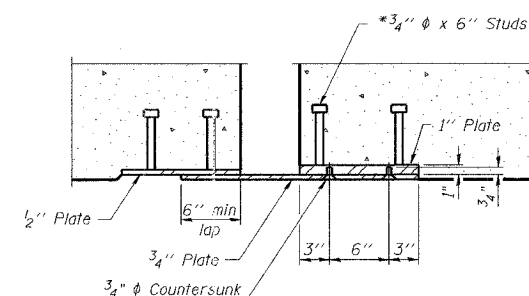


PLAN



SECTION A-A

POINT BLOCK DETAILS
(for skews > 30°)



SECTION B-B

TYPICAL END TREATMENTS

BILL OF MATERIAL

Item	Unit	Total
Preformed Joint Strip Seal	Foot	85

DESIGNED	NDS/GMK
CHECKED	MTP/SMK/GBC
DRAWN	NDS/DCB
CHECKED	SMK/GBC

THIS SHEET IS FOR
INFORMATION ONLY

ILLINOIS DEPARTMENT OF TRANSPORTATION
PREFORMED JOINT STRIP SEAL
FAP 846
NB IL. ROUTE 53 OVER PRAIRIE CREEK
STATION 1305+00 SECTION 4-RB
WILL COUNTY
STRUCTURE NO. 099-0090
SCALE: NONE
DATE: JUNE 2007
DEI DELTA ENGINEERING INC.
CONSULTING ENGINEERS, CHICAGO, ILLINOIS