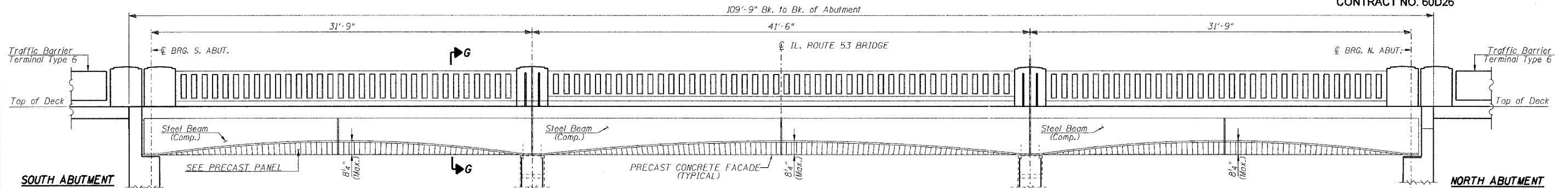


STATE OF ILLINOIS  
DEPARTMENT OF TRANSPORTATION

ROUTE NO.	SECTION	COUNTY	FED. AID PROJECT NO.	SHEET NO.
F. A. P. 846	4B-1-1-1	WILL	39	19
FED. ROAD DIST. NO. 7	ILLINOIS	FED. AID PROJECT		

SHEET NO. 17  
SHEETS S20

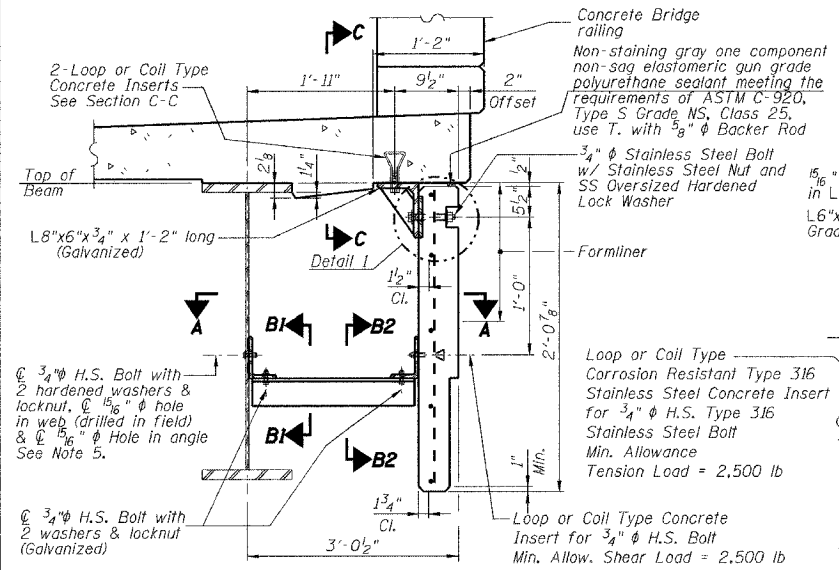
CONTRACT NO. 60D26



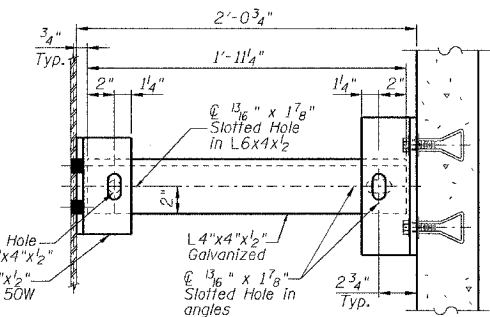
**BILL OF MATERIAL**

Item	Unit	Quantity
Furnishing And Erecting Precast Concrete Panels	Each	12

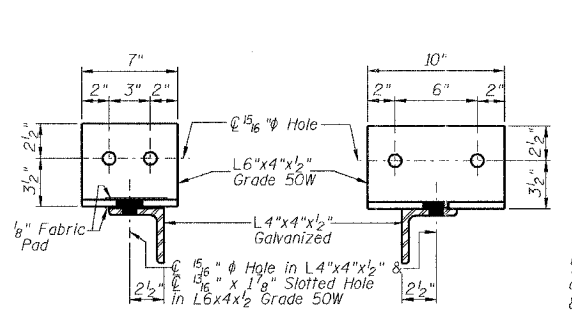
**ELEVATION OF PRECAST CONCRETE FACADE**  
(N.T.S.)



**SECTION THRU PRECAST PANEL**



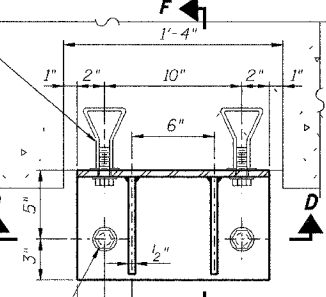
**SECTION A-A**



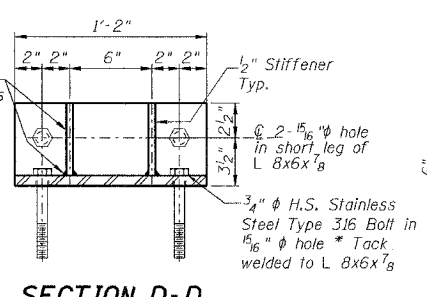
**SECTION B1-B1**

**SECTION B2-B2**

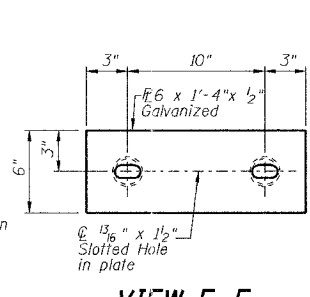
**SECTION F-F**



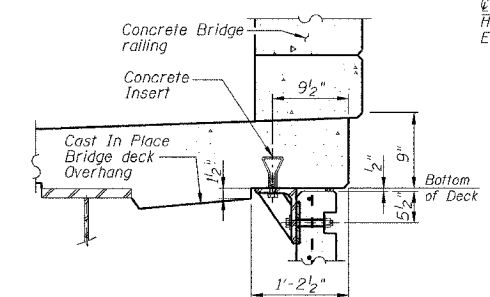
**SECTION C-C**



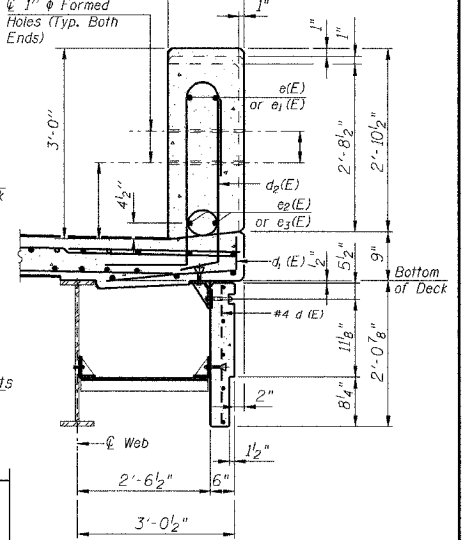
**SECTION D-D**



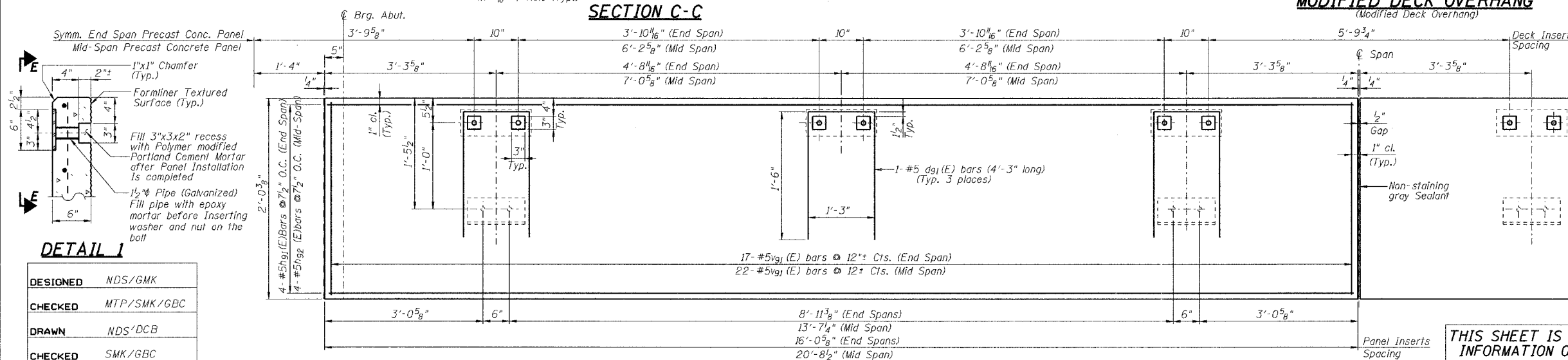
**VIEW E-E**



**MODIFIED DECK OVERHANG**  
(Modified Deck Overhang)



**SECTION G-G**  
(@ PIER)



**PRECAST CONCRETE PANEL ELEVATION**  
(Formliner Surface not shown for clarity)

THIS SHEET IS FOR INFORMATION ONLY

**DETAIL 1**

DESIGNED	NDS/GMK
CHECKED	MTP/SMK/GBC
DRAWN	NDS/DCB
CHECKED	SMK/GBC

ILLINOIS DEPARTMENT OF TRANSPORTATION

**PRECAST CONCRETE FACADE**

FAP 846  
NB IL. ROUTE 53 OVER PRAIRIE CREEK  
STATION 1305+00 SECTION 4-RB  
WILL COUNTY

STRUCTURE NO. 099-0090

SCALE: NONE  
DATE: JUNE 2007

DELTA ENGINEERING INC.  
CONSULTING ENGINEERS, CHICAGO, ILLINOIS