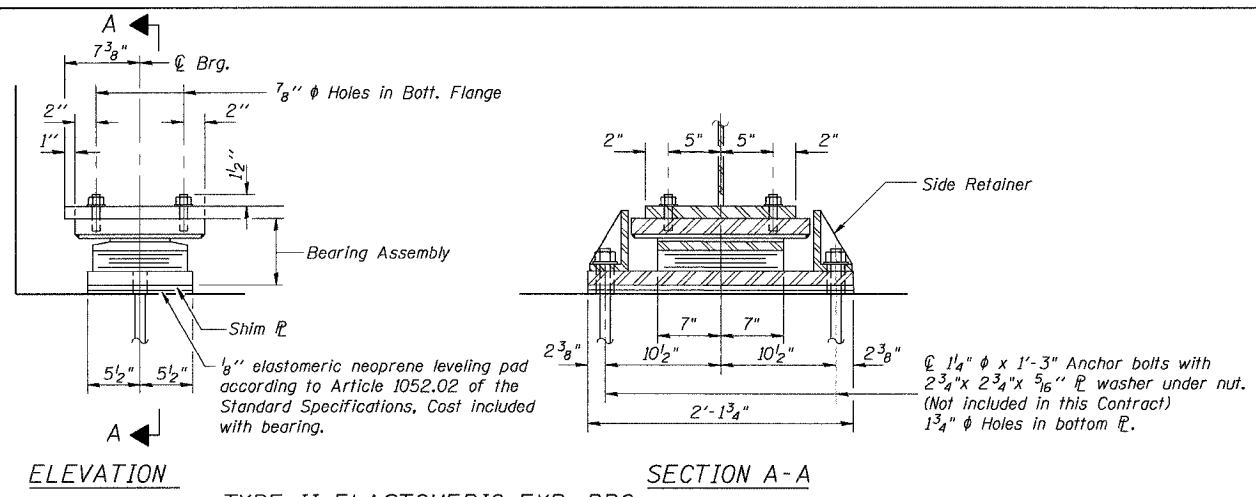
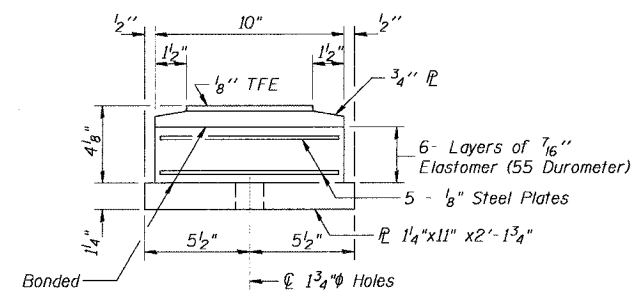
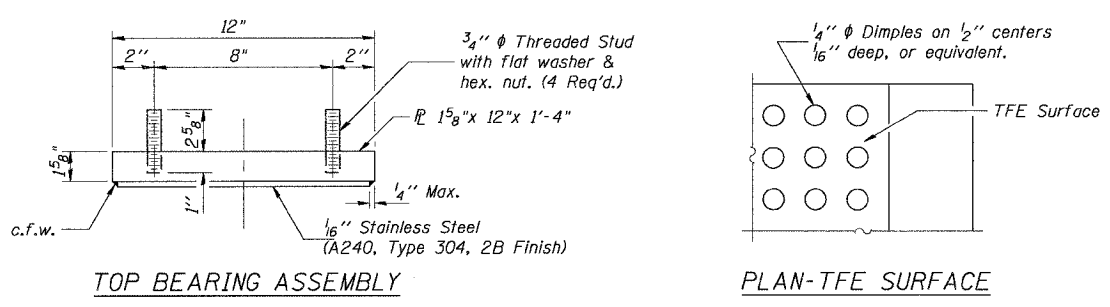


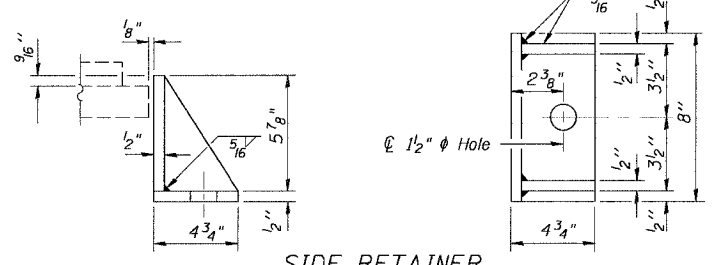
ROUTE NO.	SECTION	COUNTY	TOTAL SHEETS	SHEET
533	11 R-1-1-1	McHenry	19	13
FED. ROAD DIST. XXXX		ILLINOIS		FED. AID PROJECT



**TYPE II ELASTOMERIC EXP. BRG. AT ABUTMENTS**



**TOP BEARING ASSEMBLY**



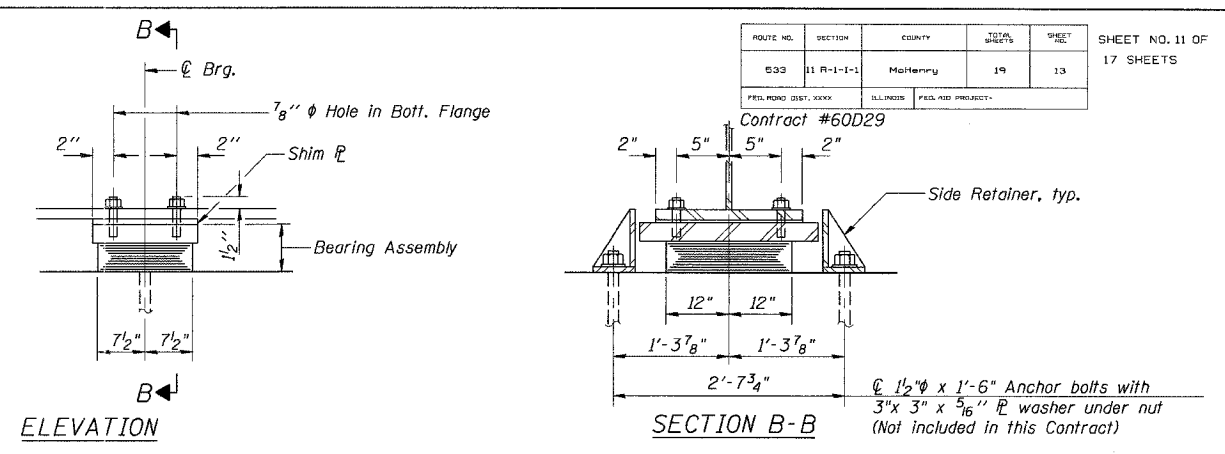
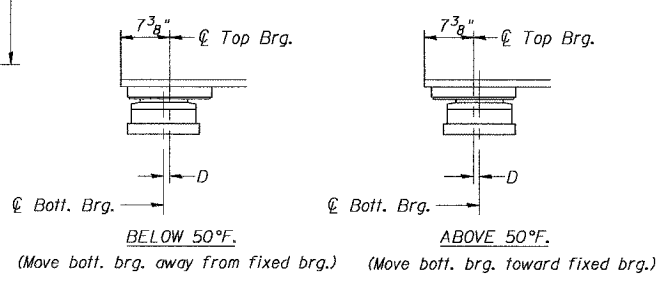
DESIGNED	S.S.T.
CHECKED	S.D.H.
DRAWN	E.B.
CHECKED	S.S.T.

**BILL OF MATERIAL**

Item	Unit	Total
Furnishing Elastomeric Bearing Assembly, Type II	Each	12

Notes: The 1/8" TFE sheet shall be bonded directly to the top steel plate with a two-component, medium viscosity epoxy resin, conforming to the requirements of the Federal Specification MMM-A-134, Type I. The bond agent shall be applied on the full area of the contact surfaces.

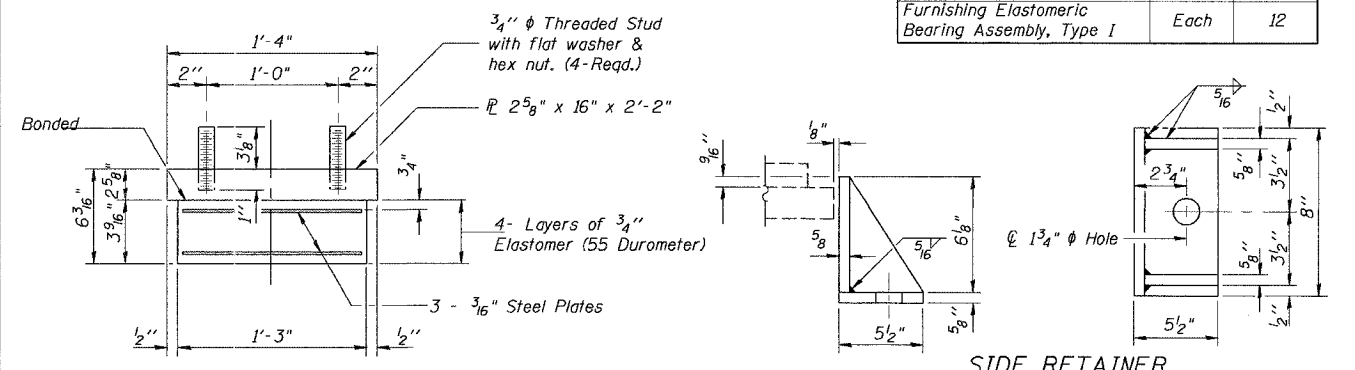
Bonding of 1/8" TFE sheet during vulcanizing process will be permitted provided the process and method of adjusting assembly height is approved by the Engineer.



**TYPE I ELASTOMERIC EXP. BRG. AT PIER 1 & 3**

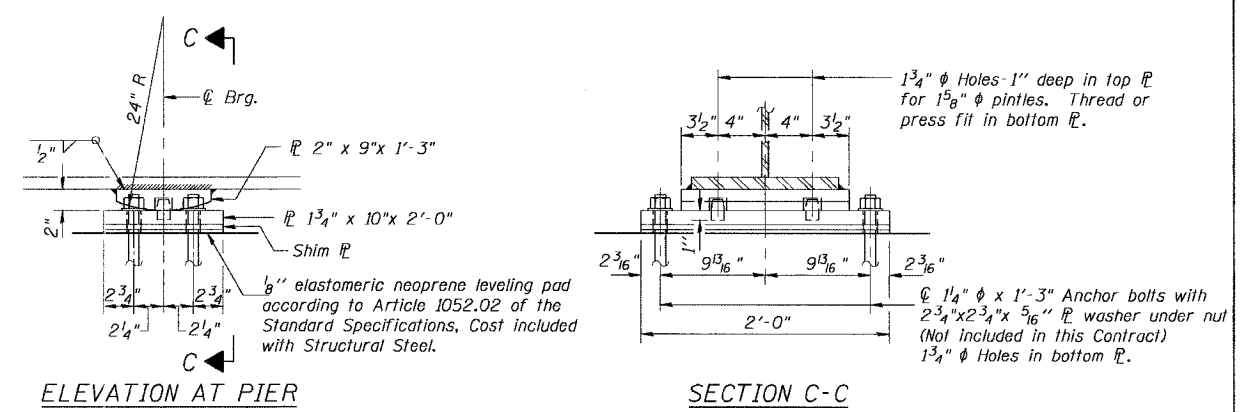
**BILL OF MATERIAL**

Item	Unit	Total
Furnishing Elastomeric Bearing Assembly, Type I	Each	12



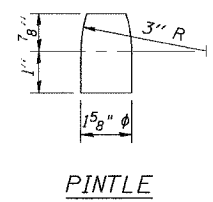
**BEARING ASSEMBLY**

Note: Shim plates shall not be placed under Bearing Assembly.



**FIXED BEARING AT PIER 2 (6 Req'd)**

Notes: Anchor bolts at fixed bearings may be built into the masonry. All Structural Steel on this sheet to be AASHTO M-270, Grade 50 Unless Noted Otherwise.



**ELASTOMERIC EXPANSION & FIXED BEARINGS**

IL Route 176 over South Branch of the Kishwaukee River F.A.P. RTE 533, SECTION 11 R-1-1-1 McHENRY COUNTY STATION 51+50.00

DATE: 06-29-07 S.N. 056-0071

GRAEF, ANHALT, SCHLOEMER & ASSOCIATES INC CHICAGO ILLINOIS