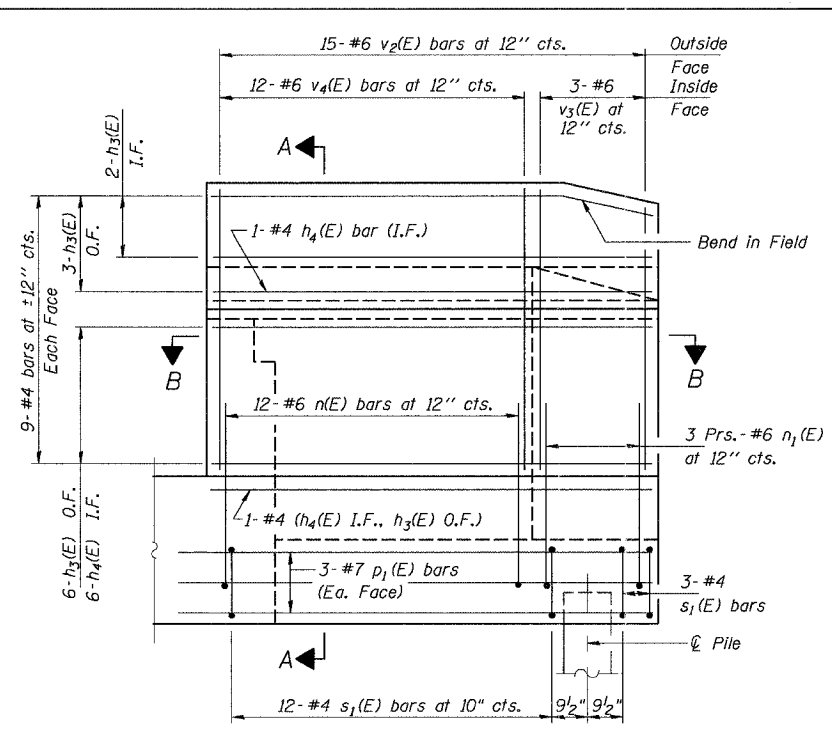
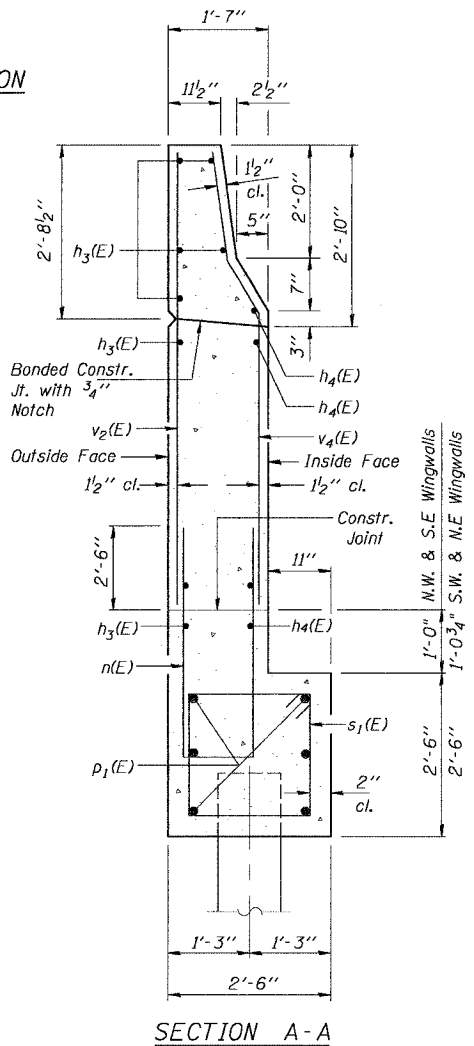


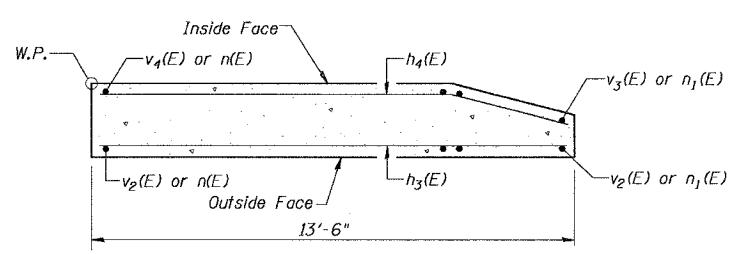
WING WALL ELEVATION
Showing Dimensions



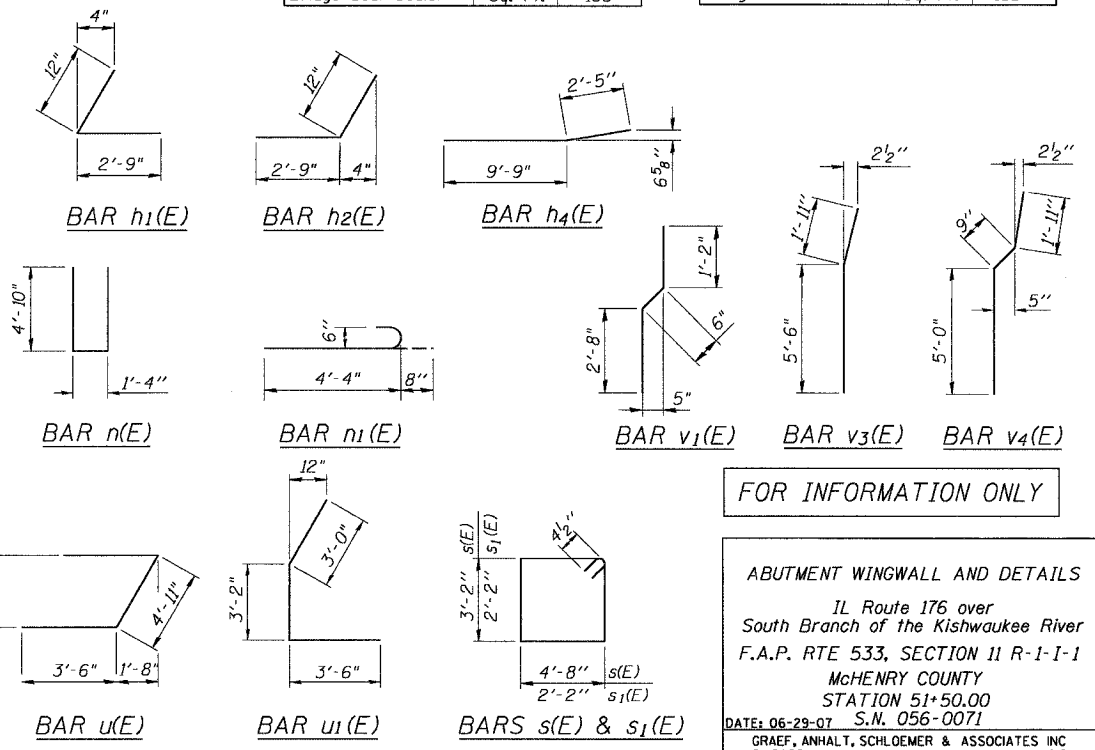
WING WALL ELEVATION
Showing Reinforcement



SECTION A-A



SECTION B-B



- Notes:
1. Reinforcement bars designated (E) shall be epoxy coated.
 2. Quantity of concrete in end post included with Concrete Superstructure on sheet 7 of 27.

EAST ABUTMENT
BILL OF MATERIAL

Bar	No.	Size	Length	Shape
h(E)	12	#6	42'-3"	
h1(E)	12	#5	3'-9"	L
h2(E)	12	#5	3'-9"	L
h3(E)	24	#4	12'-2"	
h4(E)	16	#4	12'-2"	
h5(E)	1	#5	42'-3"	
n(E)	24	#6	11'-0"	
n1(E)	12	#6	5'-0"	
p(E)	8	#7	44'-3"	
p1(E)	12	#7	13'-2"	
s(E)	40	#4	16'-5"	□
s1(E)	30	#4	11'-5"	□
u(E)	4	#6	11'-11"	L
u1(E)	4	#6	9'-8"	L
v(E)	88	#5	5'-3"	
v1(E)	44	#4	3'-0"	
v2(E)	30	#6	7'-6"	
v3(E)	6	#6	7'-5"	
v4(E)	24	#6	7'-8"	
v5(E)	44	#5	2'-6"	
Porous Granular Embankment		Cu. Yd.	83	
Structure Excavation		Cu. Yd.	106	
Concrete Structures		Cu. Yd.	55.0	
Reinforcement Bars, Epoxy Coated		Pound	4,920	
Bar Splicers		Each	44	
Furnishing Metal Shell Piles 14"		Foot	770	
Driving Piles		Foot	770	
Test Pile Metal Shells		Each	1	
Bridge Seal Sealer		Sq. Ft.	135	

WEST ABUTMENT
BILL OF MATERIAL

Bar	No.	Size	Length	Shape
h(E)	12	#6	42'-3"	
h1(E)	12	#5	3'-9"	L
h2(E)	12	#5	3'-9"	L
h3(E)	24	#4	12'-2"	
h4(E)	16	#4	12'-2"	
h5(E)	1	#5	42'-3"	
n(E)	24	#6	11'-0"	
n1(E)	12	#6	5'-0"	
p(E)	8	#7	44'-3"	
p1(E)	12	#7	13'-2"	
p2(E)	1	#10	44'-3"	
s(E)	40	#4	16'-5"	□
s1(E)	30	#4	11'-5"	□
u(E)	4	#6	11'-11"	L
u1(E)	4	#6	9'-8"	L
v(E)	88	#5	5'-3"	
v1(E)	44	#4	3'-0"	
v2(E)	30	#6	7'-6"	
v3(E)	6	#6	7'-5"	
v4(E)	24	#6	7'-8"	
v5(E)	44	#5	2'-6"	
Porous Granular Embankment		Cu. Yd.	83	
Structure Excavation		Cu. Yd.	133	
Concrete Structures		Cu. Yd.	55.0	
Reinforcement Bars, Epoxy Coated		Pound	5,110	
Bar Splicers		Each	44	
Furnishing Metal Shell Piles 14"		Foot	1,106	
Driving Piles		Foot	1,106	
Test Pile Metal Shells		Each	1	
Bridge Seal Sealer		Sq. Ft.	135	

FOR INFORMATION ONLY

ABUTMENT WINGWALL AND DETAILS
IL Route 176 over
South Branch of the Kishwaukee River
F.A.P. RTE 533, SECTION 11 R-1-1-1
McHENRY COUNTY
STATION 51+50.00
DATE: 06-29-07 S.N. 056-0071
GRAEF, ANHALT, SCHLOEMER & ASSOCIATES INC
CHICAGO ILLINOIS

DESIGNED	S.S.T.
CHECKED	S.D.H.
DRAWN	E.B.
CHECKED	S.S.T.