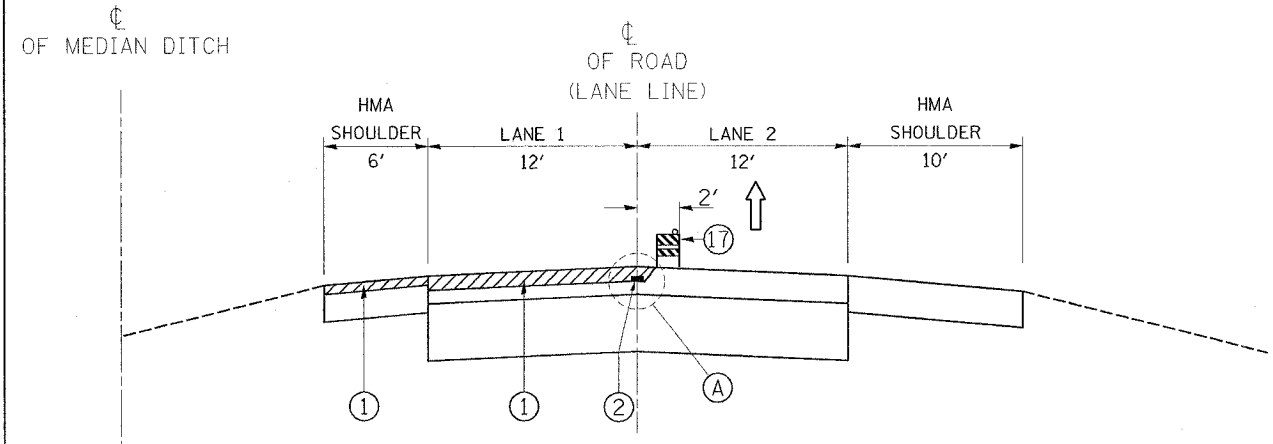


F.A.P. RTE.	SECTION	COUNTY	TOTAL SHEETS	SHEET NO.
332	*	COOK	54	7
STA.		TO STA.		
FED. ROAD DIST. NO.		ILLINOIS FED. AID PROJECT		
* (0101, 0203B & 0303) RS-10				

PRE-OPERATION 1

PATCHING AND RELIEF JOINT REMOVAL AND REPLACEMENT

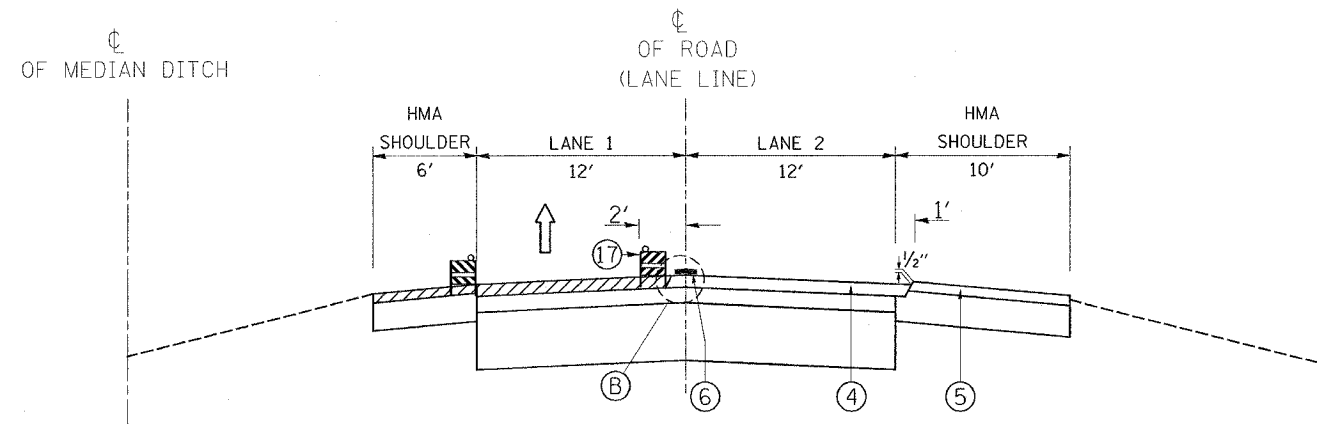
IL.-394 (SOUTH BOUND) & (NORTH BOUND)



OPERATION 1

- ① MILL 2" LANE 1 & MILL 1 3/4" INNER SHOULDER.
- ② TEMPORARY PAVEMENT MARKING, 5" WHITE LANE LINE (30'-10' SKIP-DASH)

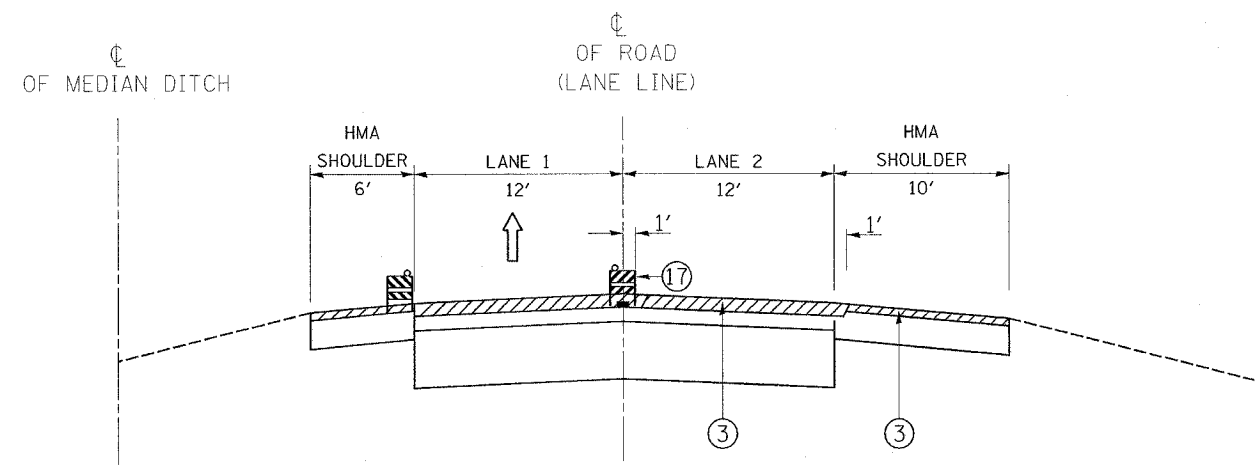
IL.-394 (SOUTH BOUND) & (NORTH BOUND)



OPERATION 3

- ④ PLACE POLYMERIZED SMA BINDER COURSE 2" ON LANE 2
- ⑤ PLACE HMA BINDER COURSE 2 1/4" ON OUTER SHOULDER
- ⑥ TEMPORARY PAVEMENT MARKING, 5" WHITE LANE LINE (30'-10' SKIP-DASH)

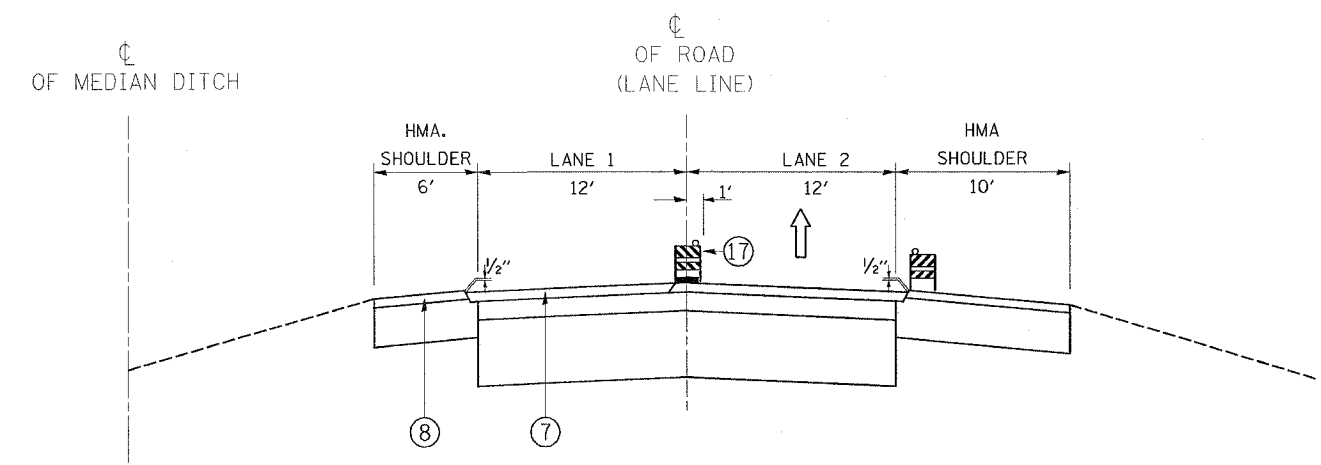
IL.-394 (SOUTH BOUND) & (NORTH BOUND)



OPERATION 2

- ③ MILL 2" LANE 2 & MILL 1 3/4" OUTER SHOULDER.

IL.-394 (SOUTH BOUND) & (NORTH BOUND)



OPERATION 4

- ⑦ PLACE POLYMERIZED SMA BINDER COURSE 2" ON LANE 1
- ⑧ PLACE HMA BINDER COURSE 2 1/4" ON INNER SHOULDER

NOTE: BARRICADES/DRUMS TO BE PLACED ON THE SHOULDER WITHIN 2' OF THE EDGE OF THE PAVEMENT DURING NON-WORKING HOURS.

REVISIONS	
NAME	DATE

ILLINOIS DEPARTMENT OF TRANSPORTATION
 IL. ROUTE 394
 SUGGESTED SEQUENCE
 OF OPERATIONS
 SCALE 7/14/2007
 DRAWN BY
 CHECKED BY