

| F.A.P. RTE. | SECTION | COUNTY | TOTAL SHEETS | SHEET NO. |
|---------------------|---------|---------------------------|--------------|-----------|
| 332 | * | COOK | 54 | 20 |
| STA. | | TO STA. | | |
| FED. ROAD DIST. NO. | | ILLINOIS FED. AID PROJECT | | |

* (0101, 0203B & 0303) RS-10

GENERAL NOTES

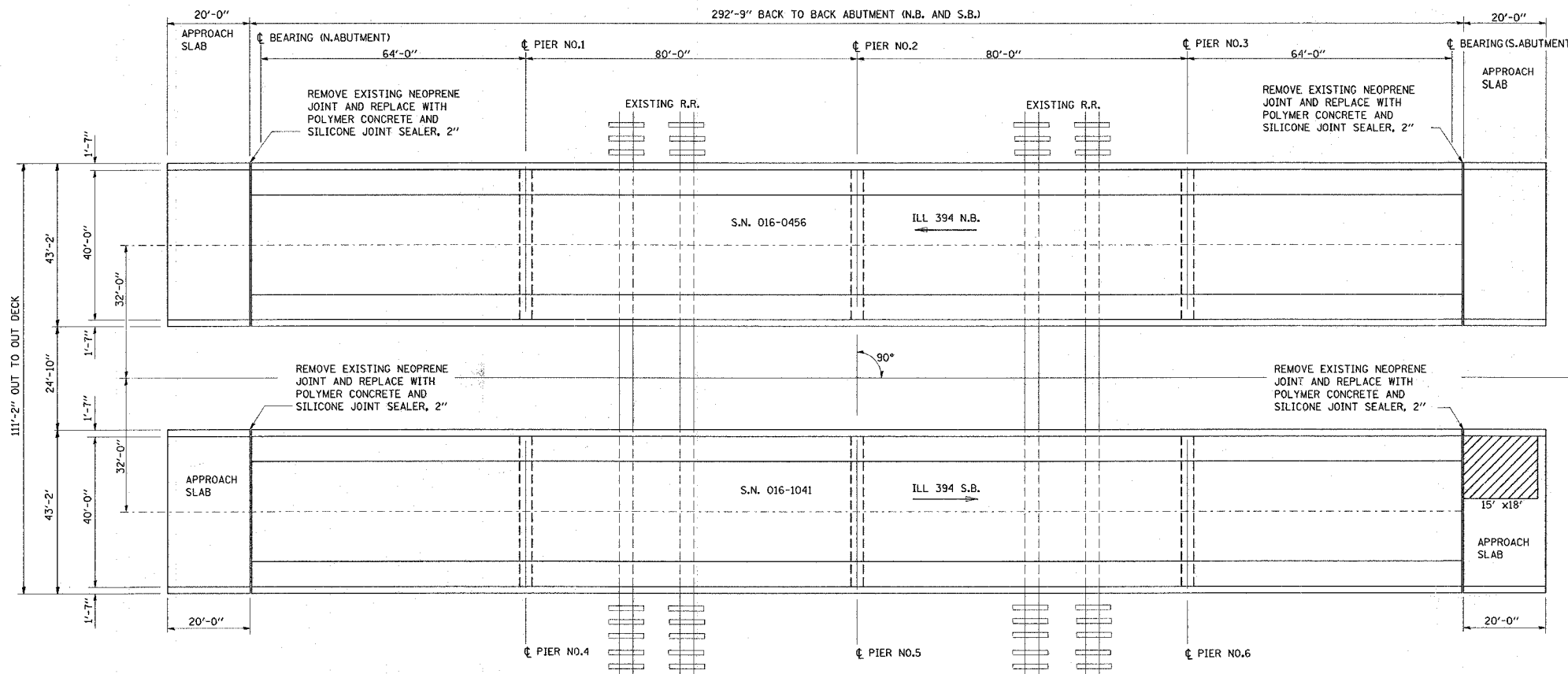
PLAN DIMENSIONS AND DETAILS RELATIVE TO EXISTING STRUCTURES HAVE BEEN TAKEN FROM EXISTING PLANS AND ARE SUBJECT TO NOMINAL CONSTRUCTION VARIATIONS. IT SHALL BE THE CONTRACTOR'S RESPONSIBILITY TO VERIFY SUCH DIMENSIONS AND DETAILS IN THE FIELD AND MAKE NECESSARY APPROVED ADJUSTMENTS PRIOR TO CONSTRUCTION OR ORDERING OF MATERIALS. SUCH VARIATIONS SHALL NOT BE CAUSE FOR ADDITIONAL COMPENSATION FOR A CHANGE IN THE SCOPE, HOWEVER, THE CONTRACTOR WILL BE PAID FOR THE QUANTITY ACTUALLY FURNISHED AT THE UNIT BID PRICE OR THE WORK.

REMOVAL OF THE EXISTING 2" NEOPRENE EXPANSION JOINTS INCLUDED WITH THE COST OF POLYMER CONCRETE.

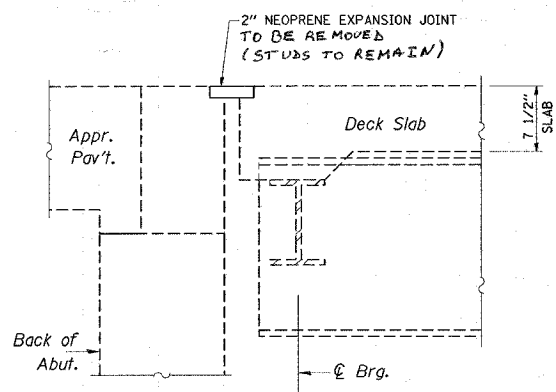
BILL OF MATERIALS

| ITEM | UNIT | QUANTITY |
|---|--------|----------|
| X0321744 SILICONE JOINT SEALER, 2" | FOOT | 172 |
| X0320887 POLYMER CONCRETE | CU.FT. | 14.5 |
| Z0001800 APPROACH SLAB REPAIR (PARTIAL DEPTH) | SQ.YD. | 30 |

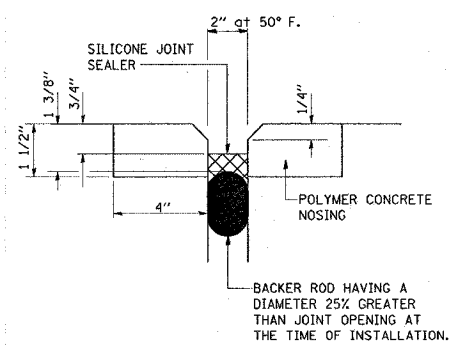
DISTRICT ONE - DESIGN PREPARATION ENGINEER JOSE A. DOMINGUEZ / RUSS SINHA (847) 705-4209 / ATTENTION MARK V. TINIAKOS (847) 705-4266



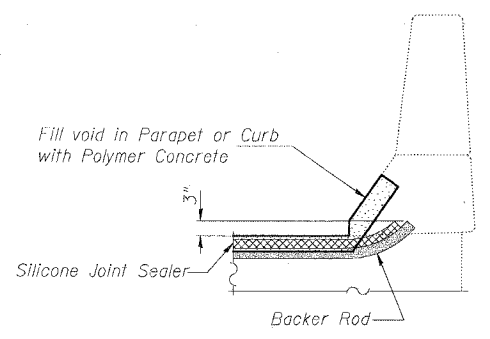
PLAN



EXISTING SECTION TRHU JOINT



SILICONE JOINT SEALER TO REPLACE EXISTING 2" NEOPRENE JOINT



TYPICAL END OF SEAL TREATMENT

LEGEND:



| REVISIONS | |
|-----------|------|
| NAME | DATE |
| | |
| | |
| | |
| | |
| | |
| | |
| | |

ILLINOIS DEPARTMENT OF TRANSPORTATION
 ILL. ROUTE 394 OVER E.J. AND E. RAILROAD BRIDGE REHABILITATION
 S.N. 016-0456
 S.N. 016-1041
 SCALE: VERT. DATE: JUNE, 2007
 DRAWN BY: MVT
 CHECKED BY: RSS

PLOT DATE = 7/14/2007
 FILE NAME = c:\pcc\projects\j120806\020806.dwg
 USER NAME = jdomingue