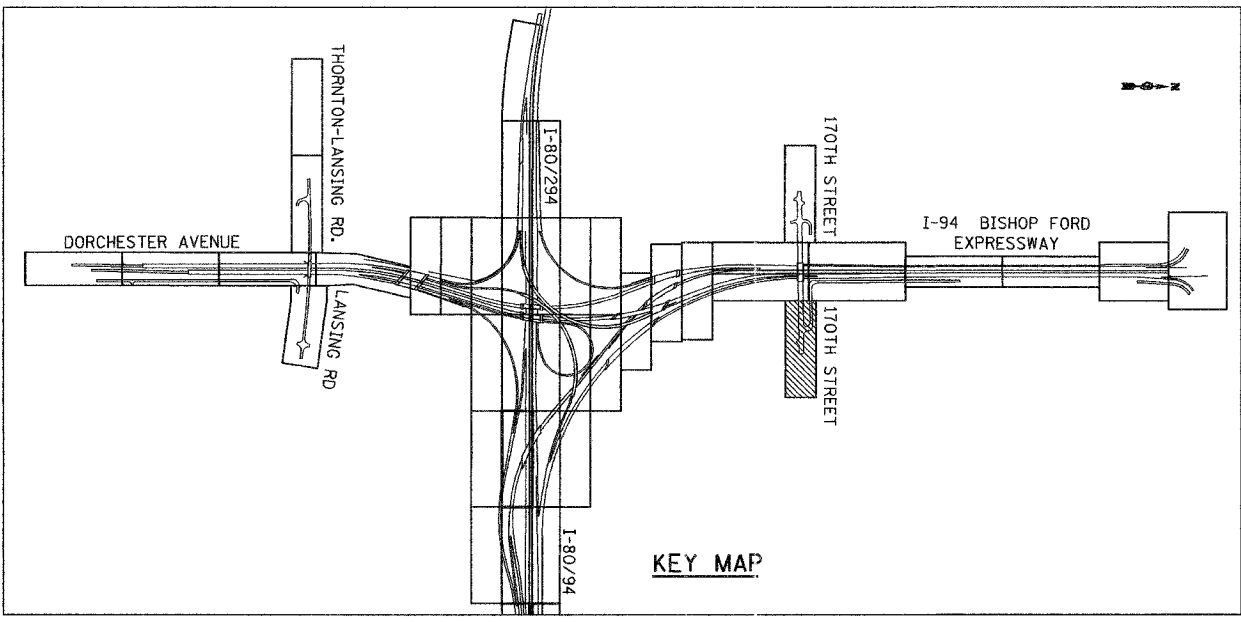
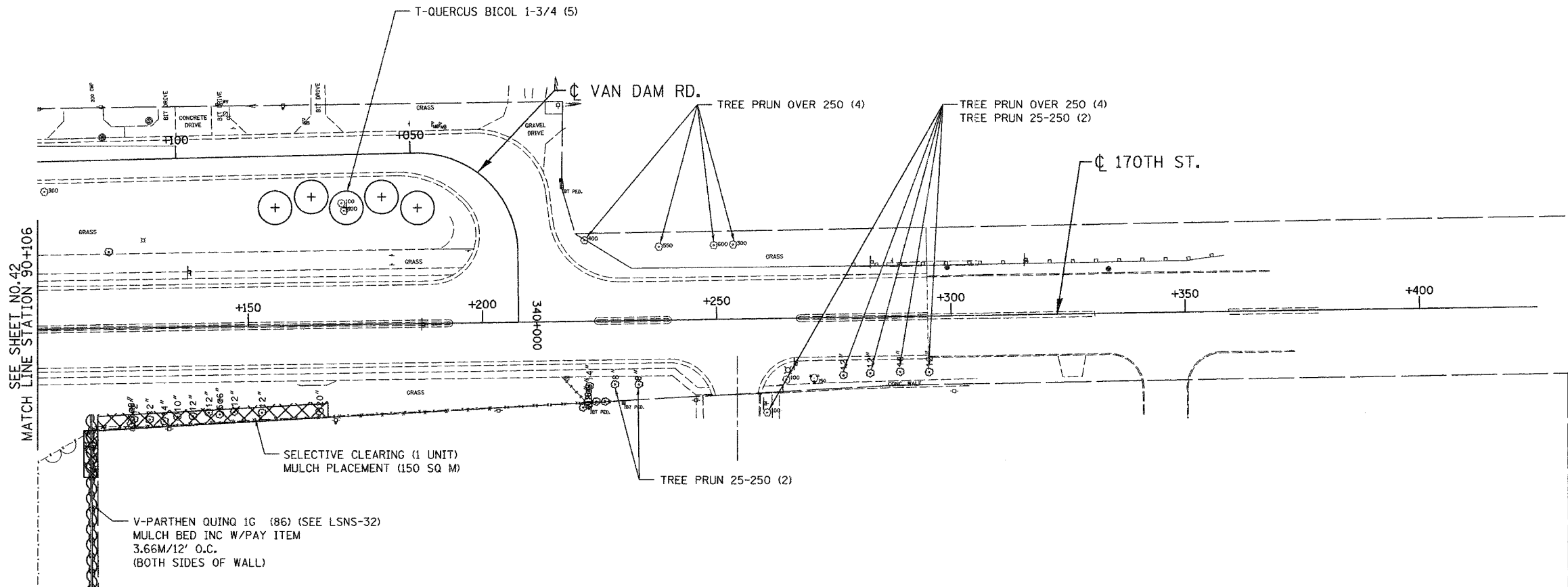


ALL DIMENSIONS IN METERS EXCEPT PAY ITEMS AND UNLESS NOTED OTHERWISE

F.A.I. RTE.	SECTION	COUNTY	TOTAL SHEETS	SHEET NO.
80/94	2003-106LS	COOK	59	50
STA.	TO STA.			
FED. ROAD DIST. NO.	ILLINOIS	FED. AID PROJECT		
CONTRACT NO. 62699				



KEY MAP

LS170 - 40

REVISIONS	
NAME	DATE

ILLINOIS DEPARTMENT OF TRANSPORTATION  
 I-80/94/US 6  
 KINGERY-BORMAN EXPRESSWAY  
 BURNHAM ROAD TO US 41  
**LANDSCAPING PLAN**  
**170 TH STREET**

SCALE 1:500  
 DATE 06/07  
 DRAWN BY ACE/CAD  
 CHECKED BY TJW



06/26/2007  
 2:17:33 PM  
 G:\Project\20740801\CADD\Contract\LSWB\LS\_40.rdb