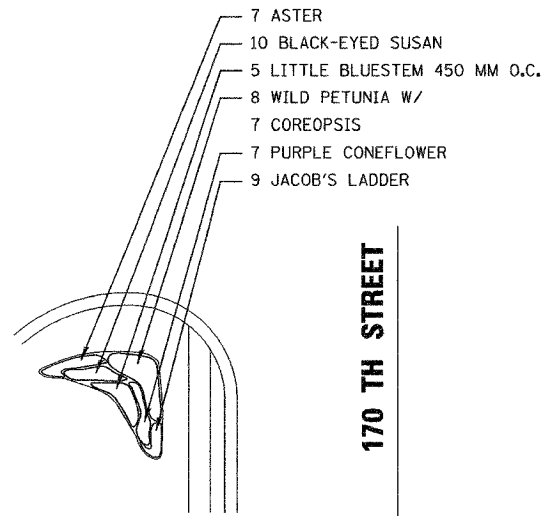
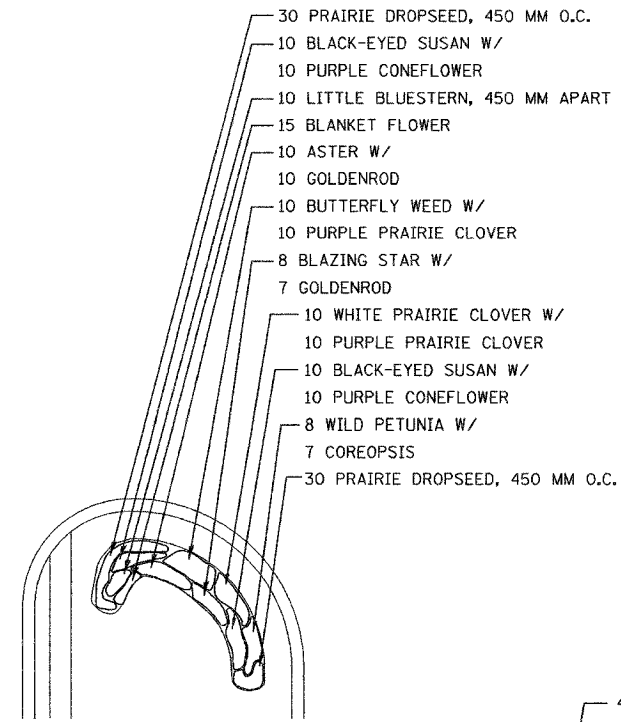


ALL DIMENSIONS IN METERS EXCEPT PAY ITEMS AND UNLESS NOTED OTHERWISE

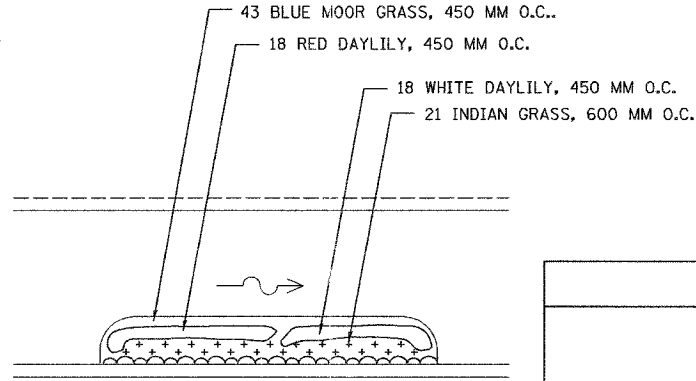
F.A.I. RTE.	SECTION	COUNTY	TOTAL SHEETS	SHEET NO.
80/94	2003-106LS	COOK	59	52
STA.	TO STA.			
FED. ROAD DIST. NO.	ILLINOIS FED. AID PROJECT			
CONTRACT NO. 62699				



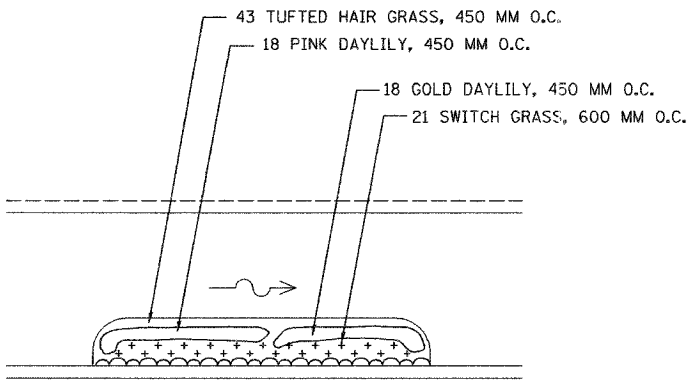
SE DETAIL PLAN  
LS170-69 170TH ST @ PRINCE DR



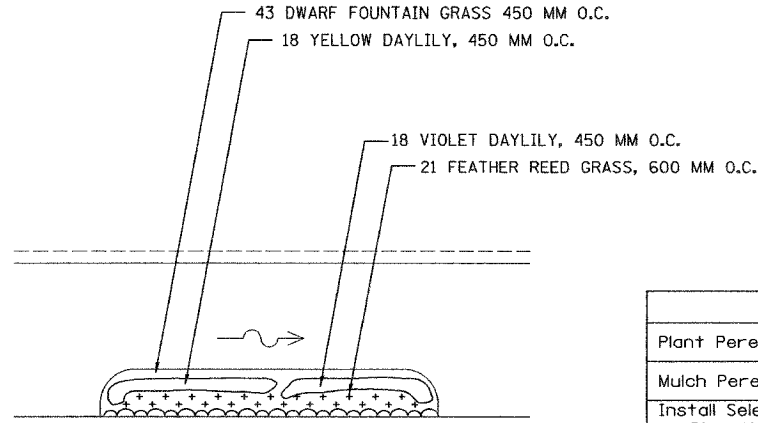
NE DETAIL PLAN  
LS170-69 170TH ST @ PRINCE DR



A VINEPERENNIAL BED TREATMENT TYPE "A"



B VINEPERENNIAL BED TREATMENT TYPE "B"



C VINEPERENNIAL BED TREATMENT TYPE "C"

SCHEDULE OF PERENNIAL PLANTS — DETAIL PLANS

ITEM	QTY. OF PLANTS IN EACH BED (TYP)	QUANTITY OF BEDS (TYP)	EACH	UNITS	
					PERENNIAL PLANTS, GALLON POTS
A	Hemerocallis "Chicago Apache" (Red Daylily)	18	5	90	0.9
	Hemerocallis "Gentle Shepherd" (White Daylily)	18	5	90	0.9
	Sesleria cearulea (Blue Moor Grass)	43	5	215	2.15
	Sorghastrum nutans "Sioux Blue" (Indian Grass)	21	5	105	1.05
B	Deschampsia cespitosa "Goldschleier" (Tufted Hair Grass)	43	5	215	2.15
	Hemerocallis "Cherry Cheeks" (Pink Daylily)	18	5	90	0.9
	Hemerocallis "Chicago Sunrise" (Gold Daylily)	18	5	90	0.9
	Panicum virgatum "Heavy Metal" (Switch Grass)	21	5	105	1.05
C	Calamagrostis acutiflora "Karl Foerster" (Feather Reed Grass)	21	5	105	1.05
	Hemerocallis "Hyperion" (Yellow Daylily)	18	5	90	0.9
	Hemerocallis "Summer Wine" (Violet Daylily)	18	5	90	0.9
	Pennisetum alopecuroides "Hamel" (Dwarf Fountain Grass)	43	5	215	2.15
TOTAL					15

NE	Andropogon scoparius "The Blues" (Little Bluestem)	10			0.1
	Aster novae-angliae "Purple Dome" (New England Aster)	10			0.1
	Asclepias tuberosa (Butterfly Weed)	10			0.1
	Coreopsis lanceolata (Lanceleaf Coreopsis)	7			0.07
	Echinacea purpurea "Kim's Knee High" (Purple Coneflower)	20			0.2
	Gaillardia "Goblin" (Blanket Flower)	15			0.15
	Liatris spicata "Kobold" (Blazing Star)	8			0.08
	Petalostemum candidum (White Prairie Clover)	10			0.1
	Petalostemum purpureum (Purple Prairie Clover)	20			0.2
	Ruellia humilis (Wild Petunia)	8			0.08
	Rudbeckia fulgida "Goldstrum" (Black-eyed Susan)	20			0.2
	Solidago rugosa "Fireworks" (Goldenrod)	17			0.17
	Sporobolus heterolepis (Prairie Dropseed)	45			0.45
	TOTAL				

SE	Andropogon scoparius "The Blues" (Little Bluestem)	5			0.05
	Aster novae-angliae "Purple Dome" (New England Aster)	7			0.07
	Coreopsis lanceolata (Lanceleaf Coreopsis)	7			0.07
	Echinacea purpurea "Kim's Knee High" (Purple Coneflower)	7			0.07
	Polemonium reptans (Jacob's Ladder)	9			0.09
	Ruellia humilis (Wild Petunia)	8			0.08
Rudbeckia fulgida "goldstrum" (Black-eyed Susan)	7			0.07	
TOTAL					0.5

PERENNIAL PLANT CARE SCHEDULE

Activity	Time
Plant Perennials as per Plan	May 1 - June 15 August 15 - September 15
Mulch Perennial Beds	24 Hours After Planting
Install Selective Mow Stakes as per Plan or Direction of RE	Prior to Period of Establishment Inspection
Perennial Plant Period of Establishment - Water Once Every 7 Days for 4 Weeks	Within 30 Days After Planting
Replace Dead Plants	After Period of Establishment Inspection
Perennial Plant Care (First Cycle)	30 Days after Period of Establishment Inspection
Perennial Plant Care (Second Cycle)	60 Days After Period of Establishment Inspection
Perennial Plant Care (Third Cycle)	90 Days After Period of Establishment Inspection
Supplemental Watering	Use After Period of Est. Insp. as Directed by Resident

NOTE:  
All perennial plants shall be staggered and spaced on 12"/300 mm centers unless otherwise noted.

REVISIONS	
NAME	DATE

ILLINOIS DEPARTMENT OF TRANSPORTATION  
I-80/94/US 6  
KINGERY-BORMAN EXPRESSWAY  
BURNHAM ROAD TO US 41  
**LANDSCAPING PLAN  
DETAIL PLANS**  
170 TH STREET, PRINCE DRIVE  
SCALE NONE DRAWN BY ACE/CAD  
DATE 06/07 CHECKED BY TJW  
**AMERICAN**  
CONSULTING ENGINEERS

06/28/2007 2:18:32 PM G:\Project\20140801\CADD\Contract\WB LS 42.rdb