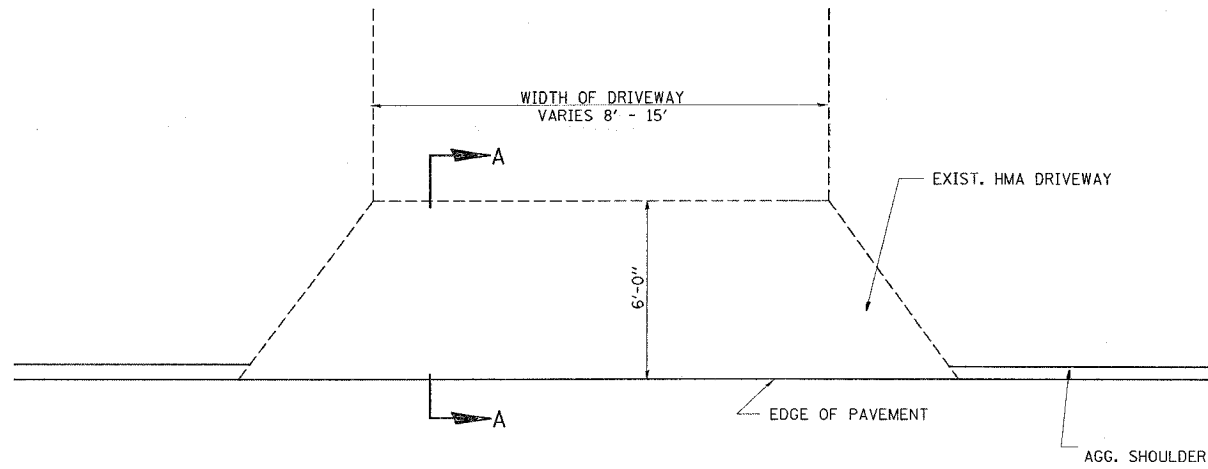
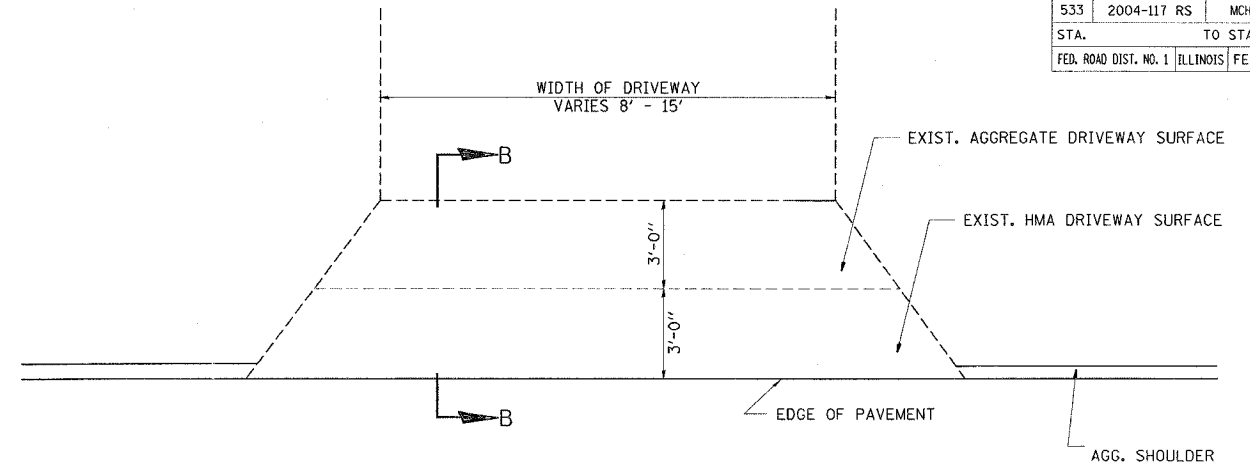


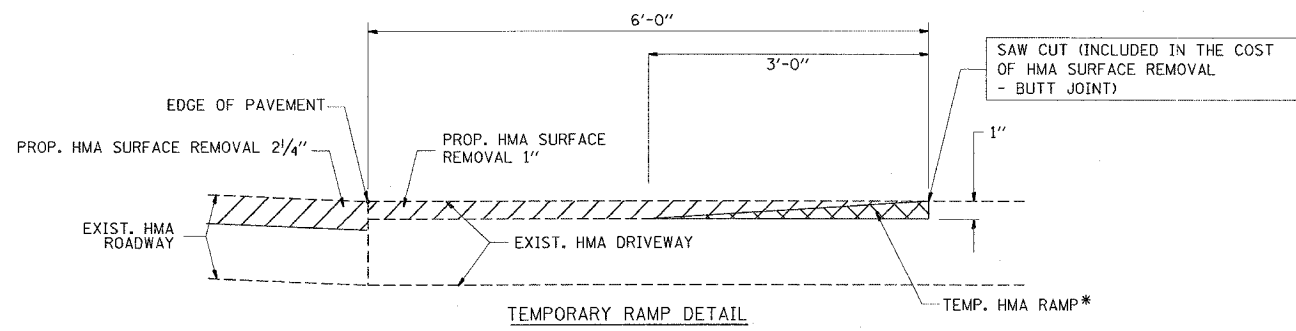
F.A.P. RTE.	SECTION	COUNTY	TOTAL SHEETS	SHEET NO.
533	2004-117 RS	MCHENRY	26	13A
STA.	TO STA.			
FED. ROAD DIST. NO. 1 ILLINOIS FED. AID PROJECT				



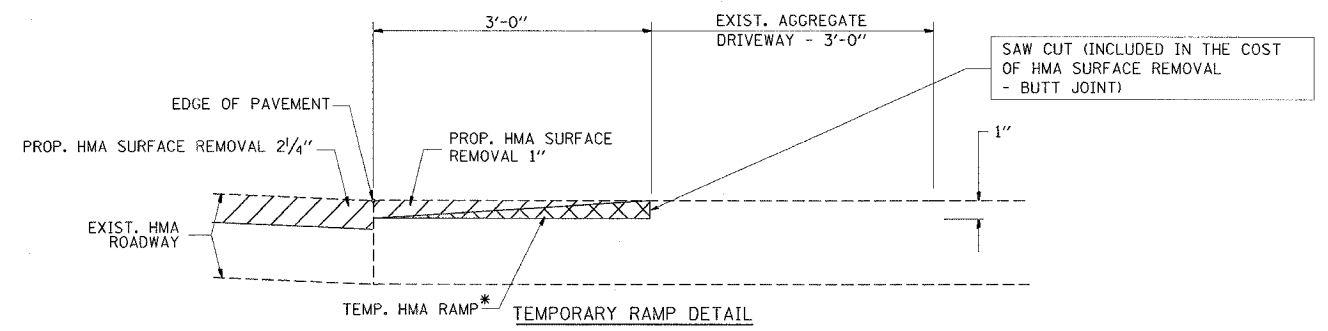
PLAN  
6' TRANSITION  
FOR H.M.A. SURFACED  
DRIVEWAYS



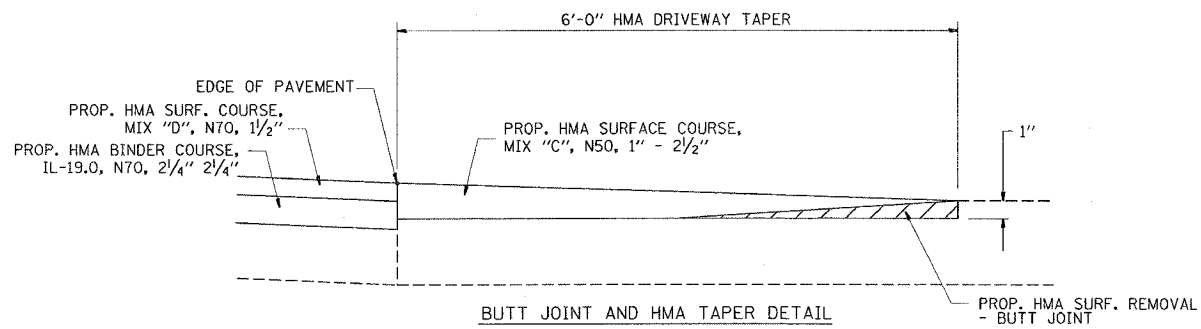
PLAN  
6' TRANSITION FOR  
COMBINATION HMA/  
AGGREGATE DRIVEWAYS



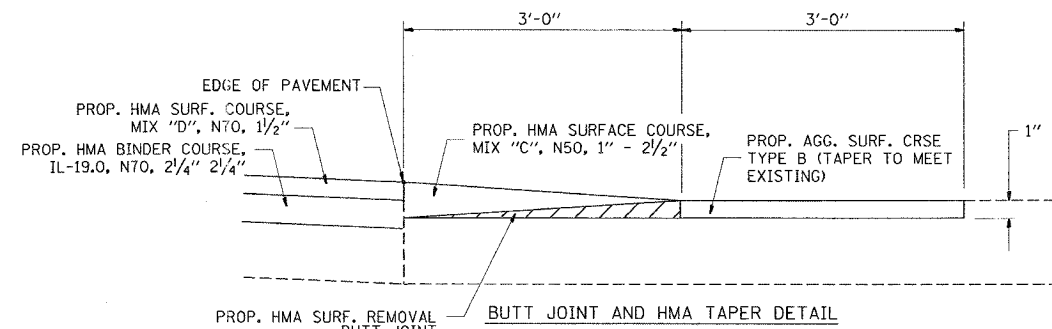
TEMPORARY RAMP DETAIL



TEMPORARY RAMP DETAIL



SECTION A-A



SECTION B-B

NOTES

\* THE TEMP. RAMP (COST INCLUDED IN HMA SURFACE REMOVAL, 1") SHALL BE CONSTRUCTED IMMEDIATELY UPON REMOVAL OF THE EXISTING HMA SURFACE.

NOTES

\* THE TEMP. RAMP (COST INCLUDED IN HMA SURFACE REMOVAL, 1") SHALL BE CONSTRUCTED IMMEDIATELY UPON REMOVAL OF THE EXISTING HMA SURFACE.

ALL DIMENSIONS ARE IN INCHES (MILLIMETERS) UNLESS OTHERWISE NOTED.

ILLINOIS DEPARTMENT OF TRANSPORTATION

DRIVEWAY APRON DETAIL

REVISIONS	
NAME	DATE

SCALE: VERT. HORIZ. DATE PLOTTED: 8/23/2007

DRAWN BY CHECKED BY

Added Sheet 9-4-07