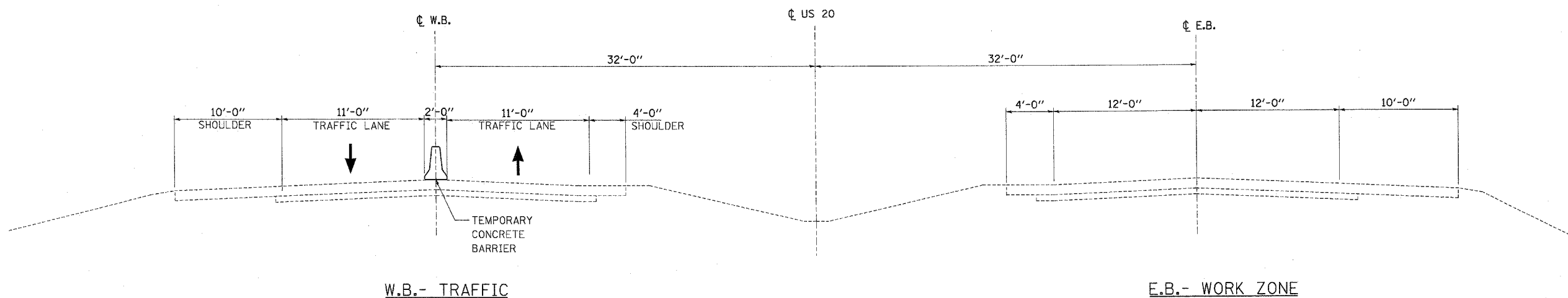


F.A.P. RTE.	SECTION	COUNTY	TOTAL SHEETS	SHEET NO.
301	(2HB-2, 2HB-1D)	WINNEBAGO	107	17
STA.		TO STA.		
FED. ROAD DIST. NO.		ILLINOIS FED. AID PROJECT		

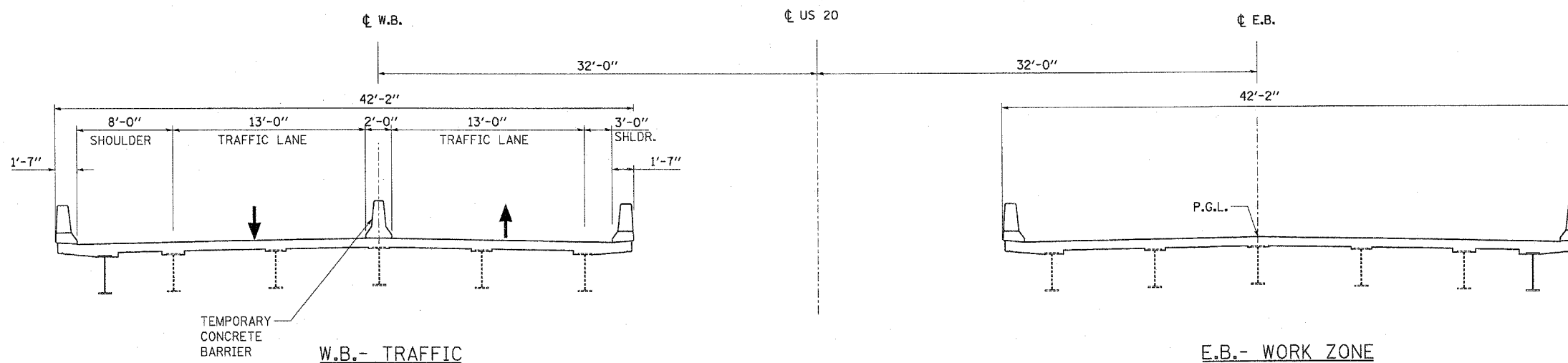


W.B.- TRAFFIC

E.B.- WORK ZONE

STAGE II TRAFFIC CONTROL

- STA. 839+00 TO STA. 841+05.08 (W.B.)
- STA. 842+59.18 TO STA. 848+68.45 (W.B.)
- STA. 850+42.11 TO STA. 852+50 (W.B.)
- STA. 839+00 TO STA. 841+19.74 (E.B.)
- STA. 842+73.85 TO STA. 848+10.96 (E.B.)
- STA. 849+84.62 TO STA. 852+50 (E.B.)



W.B.- TRAFFIC

E.B.- WORK ZONE

STAGE II TRAFFIC CONTROL

- STA. 841+05.08 TO STA. 842+59.18 (W.B.)
- STA. 848+68.45 TO STA. 850+42.11 (W.B.)
- STA. 841+19.74 TO STA. 842+73.85 (E.B.)
- STA. 848+10.96 TO STA. 849+84.62 (E.B.)

- NOTES:
- SEE SHEET 16 FOR TRAFFIC CONTROL NOTES.
  - SEE SHEETS 18 THROUGH 21 FOR TRAFFIC CONTROL PLANS.

REVISIONS	
NAME	DATE

ILLINOIS DEPARTMENT OF TRANSPORTATION  
 US 20 OVER  
 PRAIRIE AND SIMPSON ROADS  
 TRAFFIC CONTROL NOTES  
 AND SECTIONS

SCALE: VERT. HORIZ.  
 DATE 06/22/07

DRAWN BY AJP  
 CHECKED BY SPF

PLOT DATE = 6/20/2007  
 FILE NAME = 64B07.DWG  
 USER NAME = JUSER