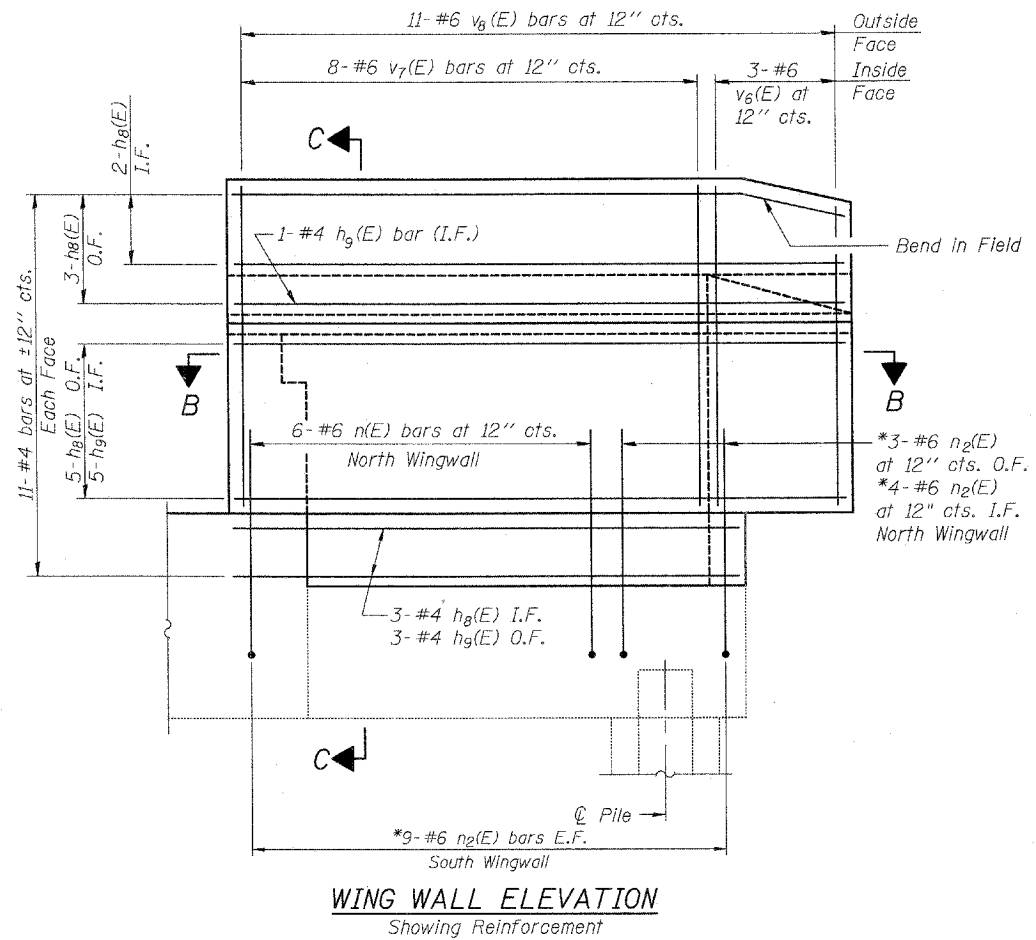
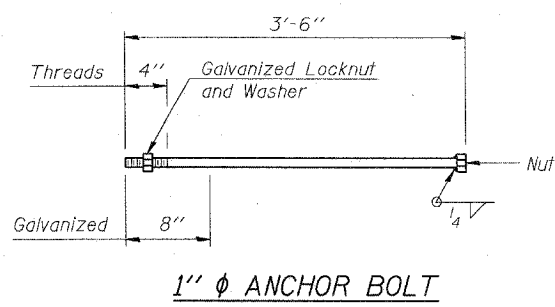
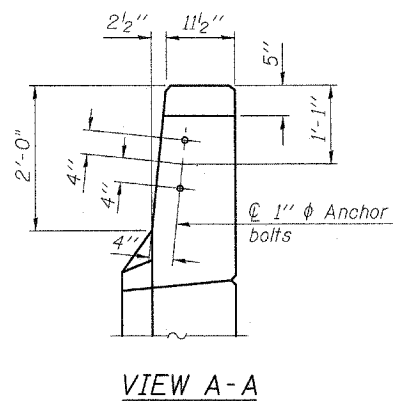
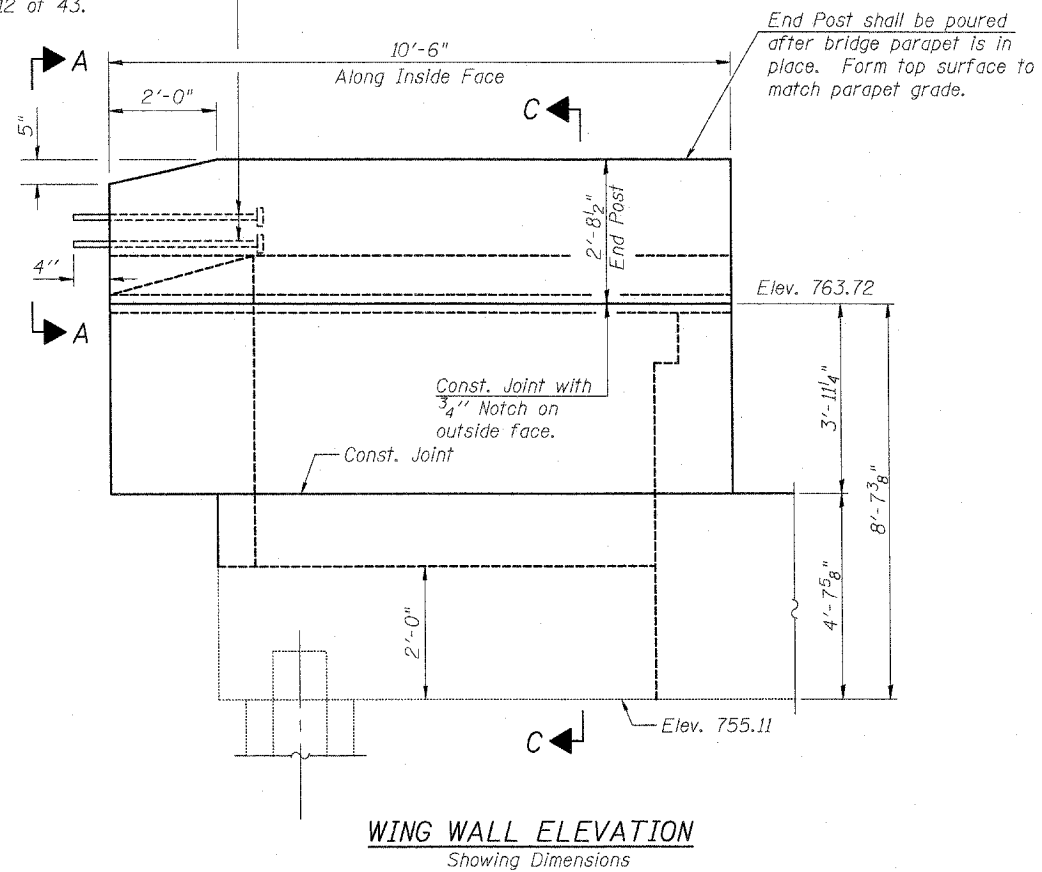


STATE OF ILLINOIS
DEPARTMENT OF TRANSPORTATION

ROUTE NO.	SECTION	COUNTY	TOTAL SHEETS	SHEET NO.	SHEET NO. 24 43 SHEETS
F.A.P. 301 (US 20)	(2HB -2)D	WINNEBAGO	107	46	
FED. ROAD DIST. NO. 7		ILLINOIS	FED. AID PROJECT		

Contract #64B07

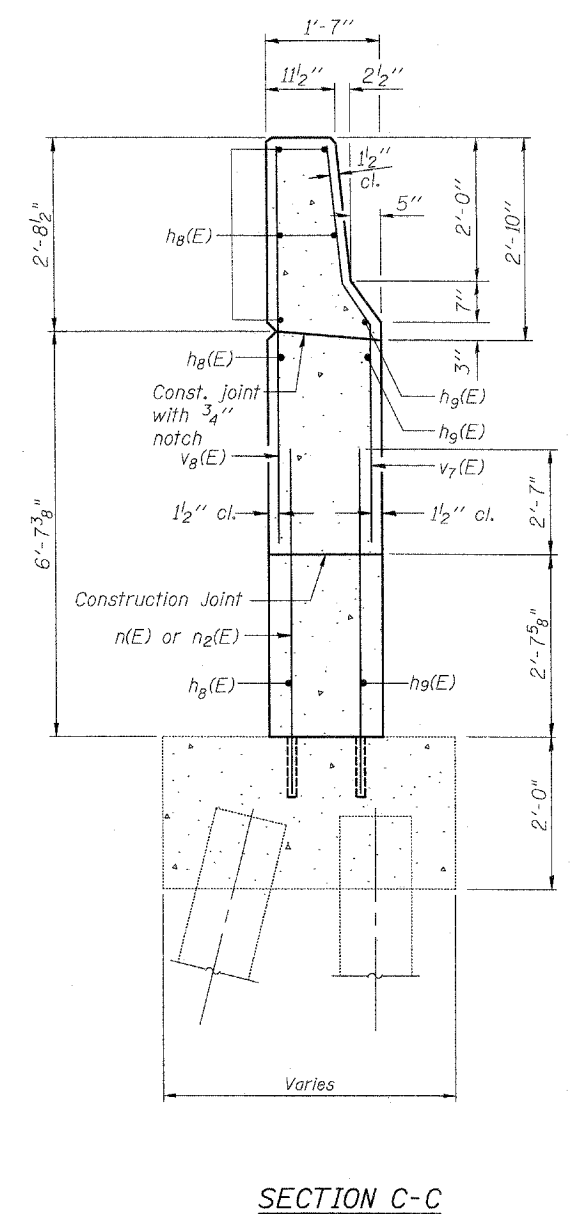
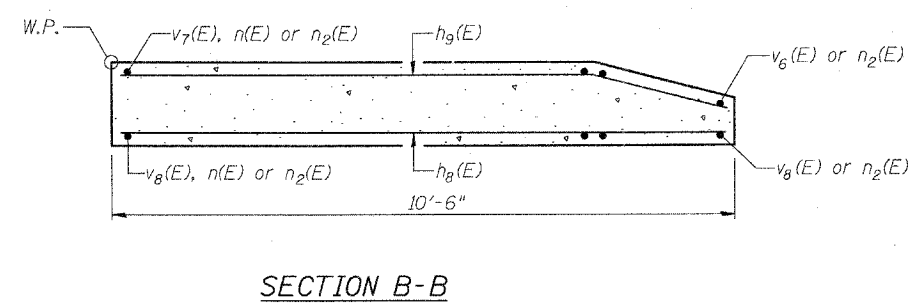
1" ϕ Anchor Bolts. Cost
Included with Concrete
Superstructure on sheet
12 of 43.



*Epoxy grout #6 n2(E) bars in 1" ϕ hole.

Holes shall be drilled a minimum of 9" deep. The bars shall be drilled and epoxy grouted according to Article 584 of the Standard Specifications.

Quantity of concrete in end post included with Concrete Superstructure on Sheet 12 of 43.



DESIGNED	LAS
CHECKED	DAZ
DRAWN	SAW
CHECKED	LAS

A-1-D

11-1-06

Plans Prepared by: Zroka Engineering, P.C.

WESTBOUND EAST
ABUTMENT WINGWALLS
F.A.P. ROUTE 301 (US 20)
OVER PRAIRIE ROAD
SECTION (2HB-2)D
WINNEBAGO COUNTY
STATION 841+89.60
STRUCTURE NO. 101-0051 (W.B.)
STRUCTURE NO. 101-0052 (E.B.)