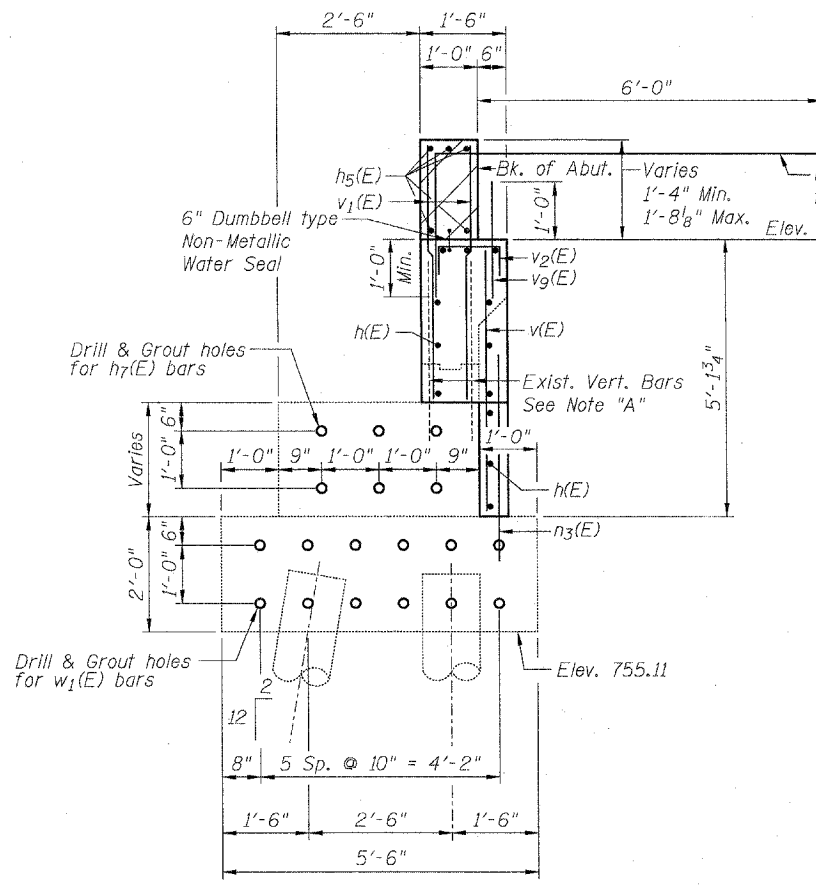
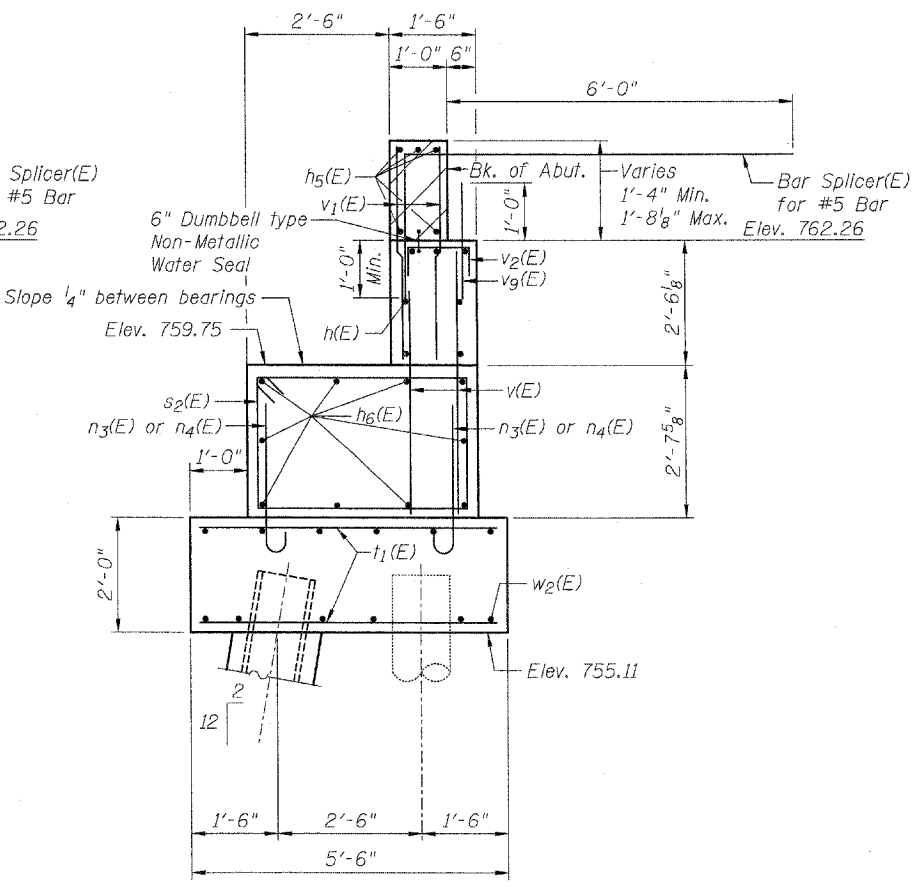


STATE OF ILLINOIS
DEPARTMENT OF TRANSPORTATION



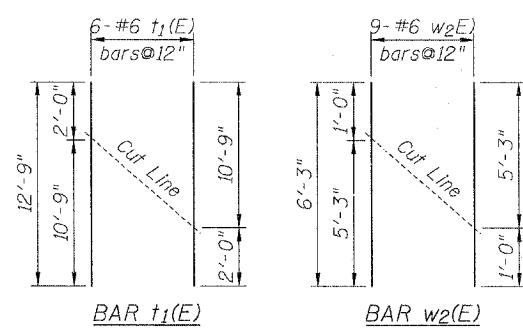
**SECTION THRU
EXISTING ABUTMENT**

Note "A": Existing vertical bars to remain in place, blast clean and lap with new vertical bars. Existing horizontal bars shall be removed.

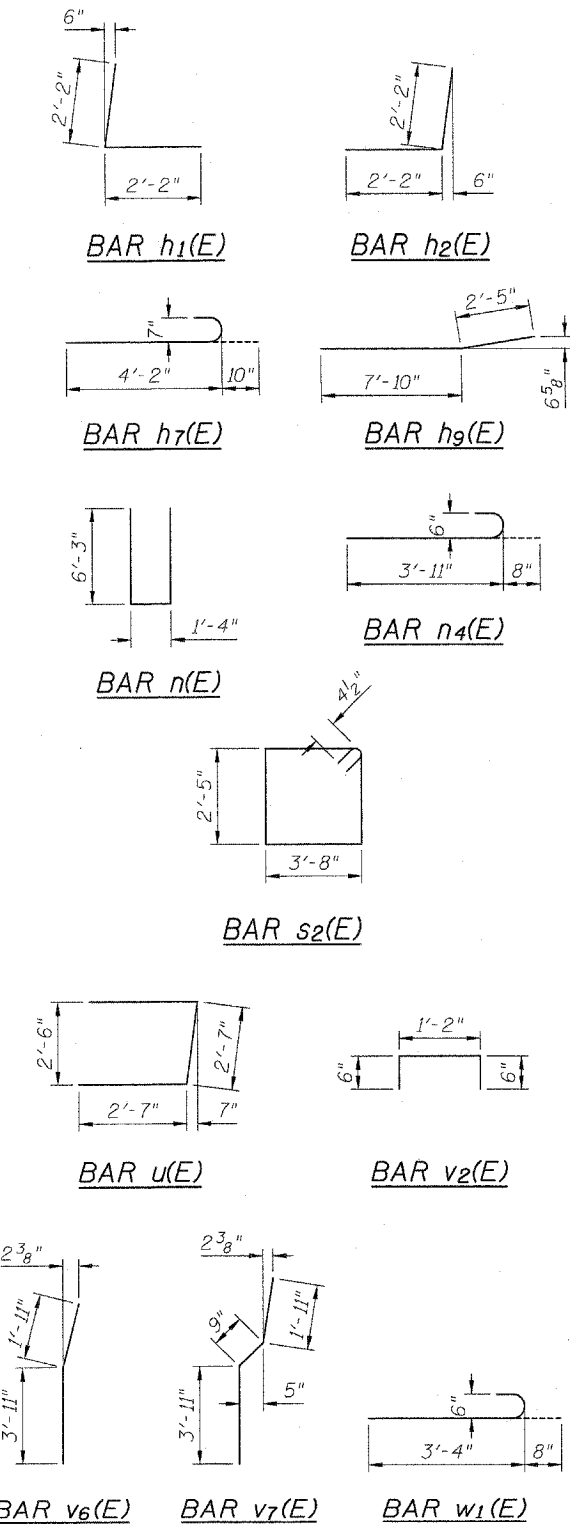


**SECTION THRU PROPOSED
ABUTMENT EXTENSION**

- Notes:
- Hatched area to be poured after superstructure false work has been removed. Quantity of concrete included with Concrete Superstructure.
 - Space reinforcement in cap to miss anchor bolts.
 - Concrete Sealer shall be applied to all exposed surfaces of new concrete for the abutment.
 - For details of piles and Concrete Encasement details, see sheet 38 of 43.
 - For details of Bar Splicers, see sheet 37 of 43.
 - For drainage details behind Abutment, see Sheet 2 of 43.



CUTTING DIAGRAMS
Order bars full length. Cut as shown and use half of bars top and half on bottom.



PILE DATA

Type: HP12x53
Nominal Required Bearing: 418 kips
Allowable Resistance Available: 139 kips
Est. Length: 55'
No. Production Piles: 1
No. Test Piles: None

The Steel H-piles shall be according to AASHTO M270 Grade 50.

Plans Prepared by: Zroka Engineering, P.C.

**ABUTMENT
BILL OF MATERIAL**

Bar	No.	Size	Length	Shape
h(E)	24	#5	21'-1"	—
h1(E)	12	#5	4'-4"	└
h2(E)	12	#5	4'-4"	└
h5(E)	10	#6	21'-3"	—
h6(E)	10	#7	5'-6"	—
h7(E)	6	#7	5'-0"	└
h8(E)	26	#4	10'-3"	—
h9(E)	18	#4	10'-3"	—
n(E)	6	#6	13'-10"	—
n2(E)	25	#6	6'-4"	—
n3(E)	42	#6	3'-11"	—
n4(E)	7	#6	4'-7"	└
s2(E)	7	#4	12'-11"	└
t1(E)	6	#6	12'-9"	—
u(E)	3	#6	7'-9"	└
v(E)	46	#5	5'-0"	—
v1(E)	82	#5	4'-0"	—
v2(E)	41	#5	2'-2"	└
v6(E)	6	#6	5'-10"	—
v7(E)	16	#6	6'-7"	—
v8(E)	22	#6	6'-5"	—
v9(E)	41	#5	2'-0"	—
w1(E)	12	#6	4'-0"	└
w2(E)	9	#6	6'-3"	—
Structure Excavation	Cu. Yd.		83	
Concrete Structures	Cu. Yd.		20.8	
Reinforcement Bars, Epoxy Coated	Pound		3,640	
Furnishing - Piles, HP12x53	Foot		55	
Driving Piles	Foot		55	
Concrete Encasement	Cu. Yd.		0.4	
Concrete Sealer	Sq. Ft.		171	
Porous Granular Embankment, Special	Cu. Yd.		49	
Concrete Removal	Cu. Yd.		15.7	
Geocomposite Wall Drain	Sq. Yd.		24	
Pipe Underdrains for Structures 4"	Foot		50	
Bar Splicers	Each		41	

**WESTBOUND EAST
ABUTMENT DETAILS**
F.A.P. ROUTE 301 (US 20)
OVER PRAIRIE ROAD
SECTION (2HB-2D)
WINNEBAGO COUNTY
STATION 841+89.60
STRUCTURE NO. 101-0051 (W.B.)
STRUCTURE NO. 101-0052 (E.B.)

DESIGNED	LAS
CHECKED	DAZ
DRAWN	SAW
CHECKED	LAS