

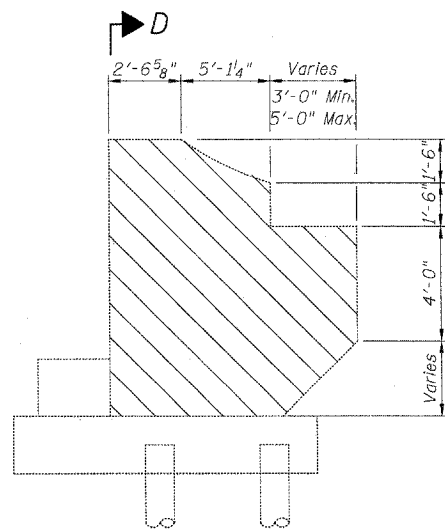
STATE OF ILLINOIS
DEPARTMENT OF TRANSPORTATION

ROUTE NO.	SECTION	COUNTY	SHEETS	SHEET	SHEET NO. 26 43 SHEETS
F.A.P. 301 (US 20)	(2HB -2)D	WINNEBAGO	107	48	
FED. ROAD DIST. NO. 7	ILLINOIS	FED. AID PROJECT-			

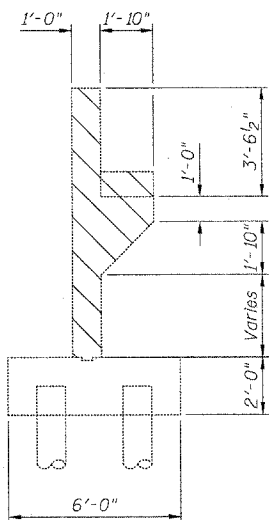
Contract #64B07

LEGEND

- Concrete Removal
- Concrete Placement



TYPICAL EXISTING WINGWALL ELEVATION



SECTION D-D

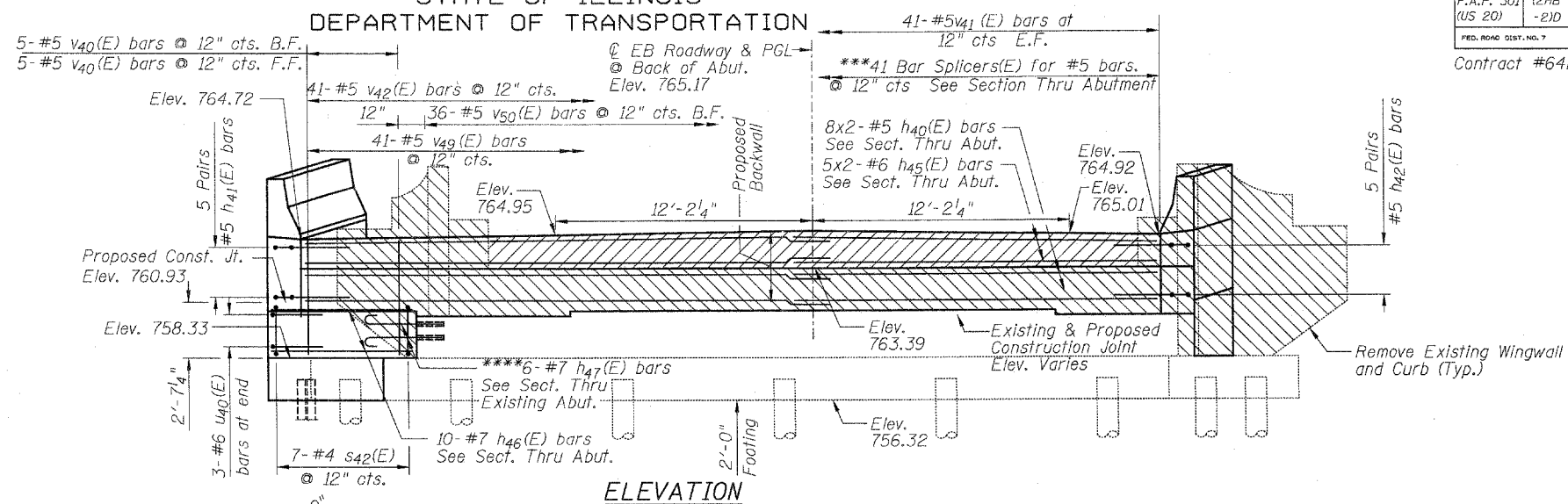
MINIMUM BAR LAPS

- #5 Bars = 2'-2"
- #6 Bars = 2'-7"
- #7 Bars = 3'-5"

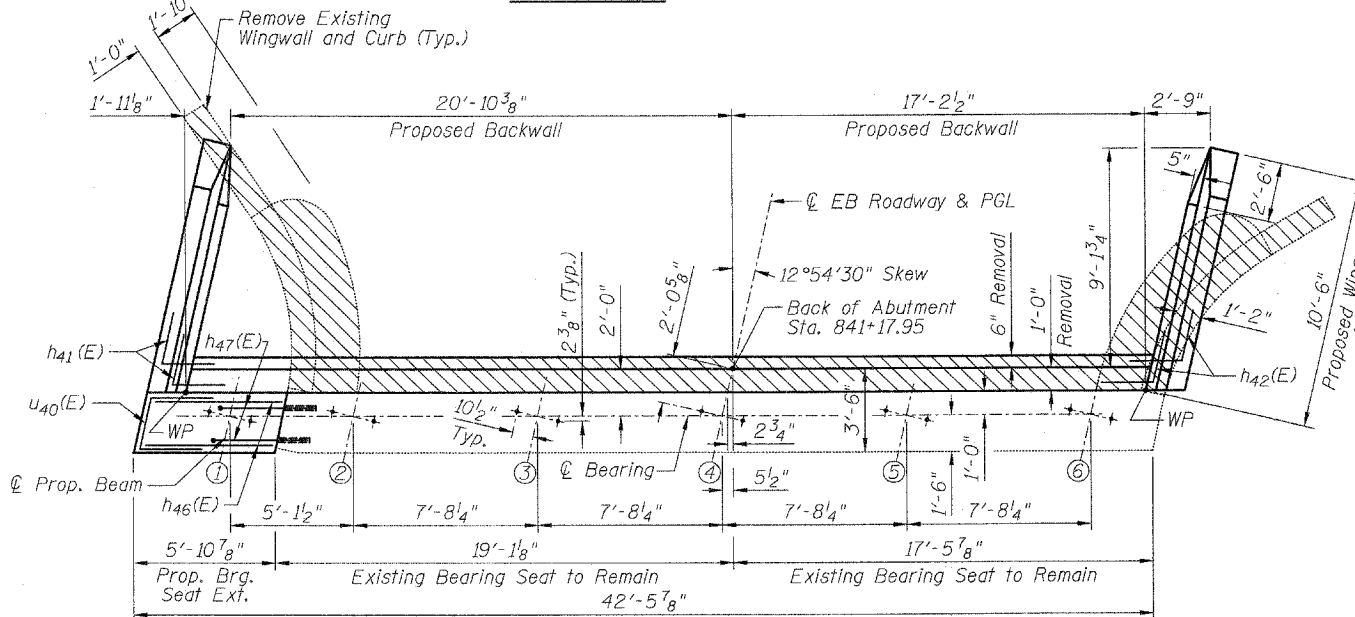
DESIGNED	SSM
CHECKED	JLA
DRAWN	GYR
CHECKED	SSM

A-1-R (K30°)

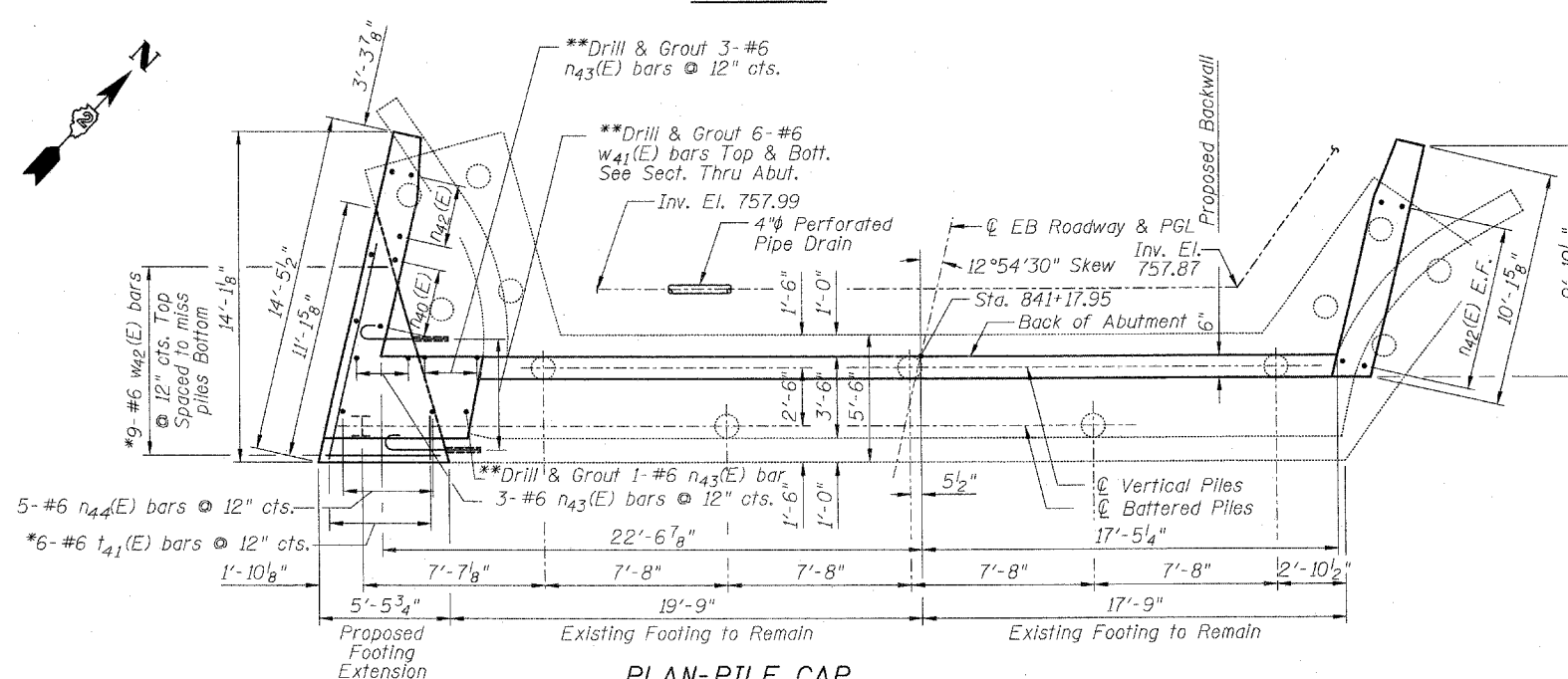
11-1-06



ELEVATION



TOP VIEW



PLAN-PILE CAP

Notes:
Existing reinforcement not extending into new construction shall be cut flush with existing concrete and sealed with a layer of epoxy. Cost included with Concrete Removal.

Existing reinforcement extending into the removal area shall be cleaned, straightened, and incorporated into the new construction. Cost included with Concrete Removal.

*Signifies cut bar. Order per length on Bill of Material. Cut as shown in Cutting Diagram and use half bars top and half bars bottom.

**Epoxy grout #6 w41(E) & #6 n43(E) bars in a 1" hole.

***Alternate with #5 v41(E) bars. Place parallel to beams.

****Epoxy grout #7 h47(E) bars in a 1 1/8" hole x 12" deep.

Holes shall be drilled a minimum of 9" deep. Bars shall be drilled and epoxy grouted according to Article 584 of the Standard Specifications.

Bars indicated thus 8x2 - #5 etc. indicates 8 lines of bars with 2 lengths of bars.

For Bill of Material, Cutting Diagrams, Bar Details, and Abutment Sections, see Sheet 28.

EASTBOUND WEST ABUTMENT
F.A.P. ROUTE 301 (US 20)
OVER PRAIRIE ROAD
SECTION (2HB-2)D
WINNEBAGO COUNTY
STATION 841+89.60
STRUCTURE NO. 101-0051 (W.B.)
STRUCTURE NO. 101-0052 (E.B.)

Plans Prepared by: Kudrna & Associates, Ltd.