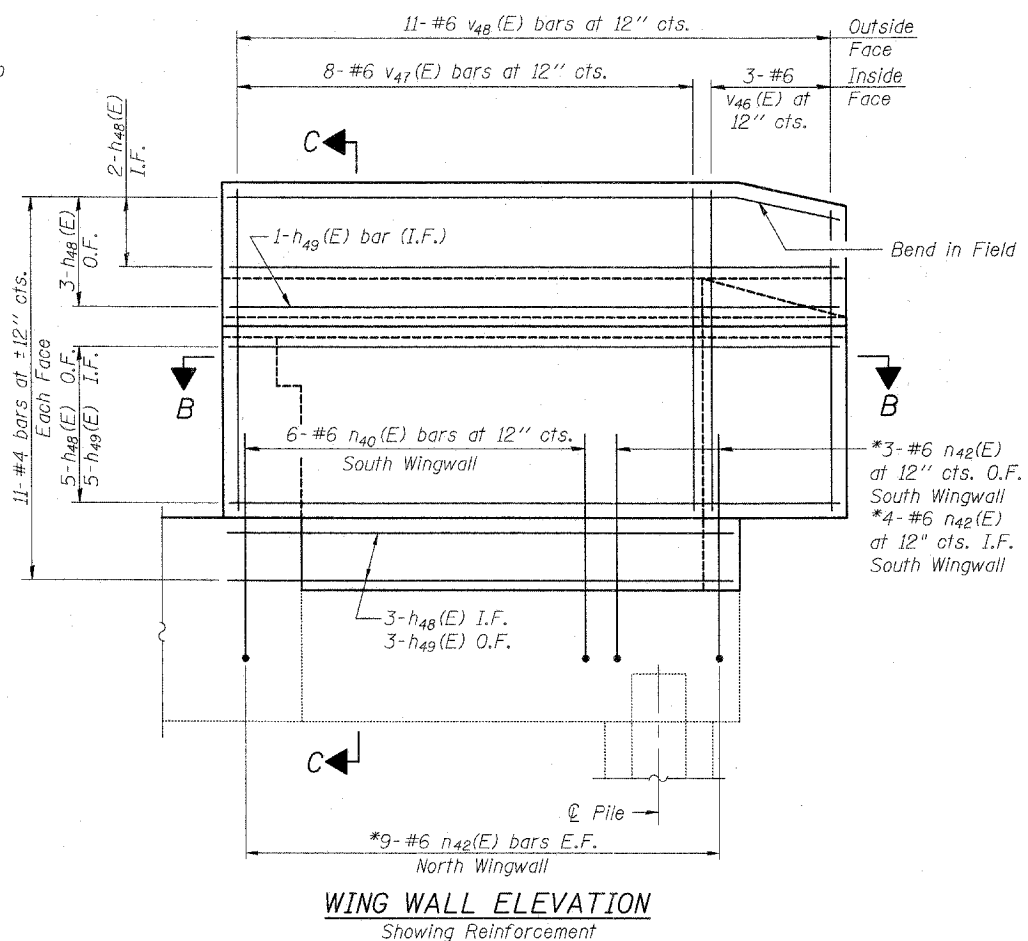
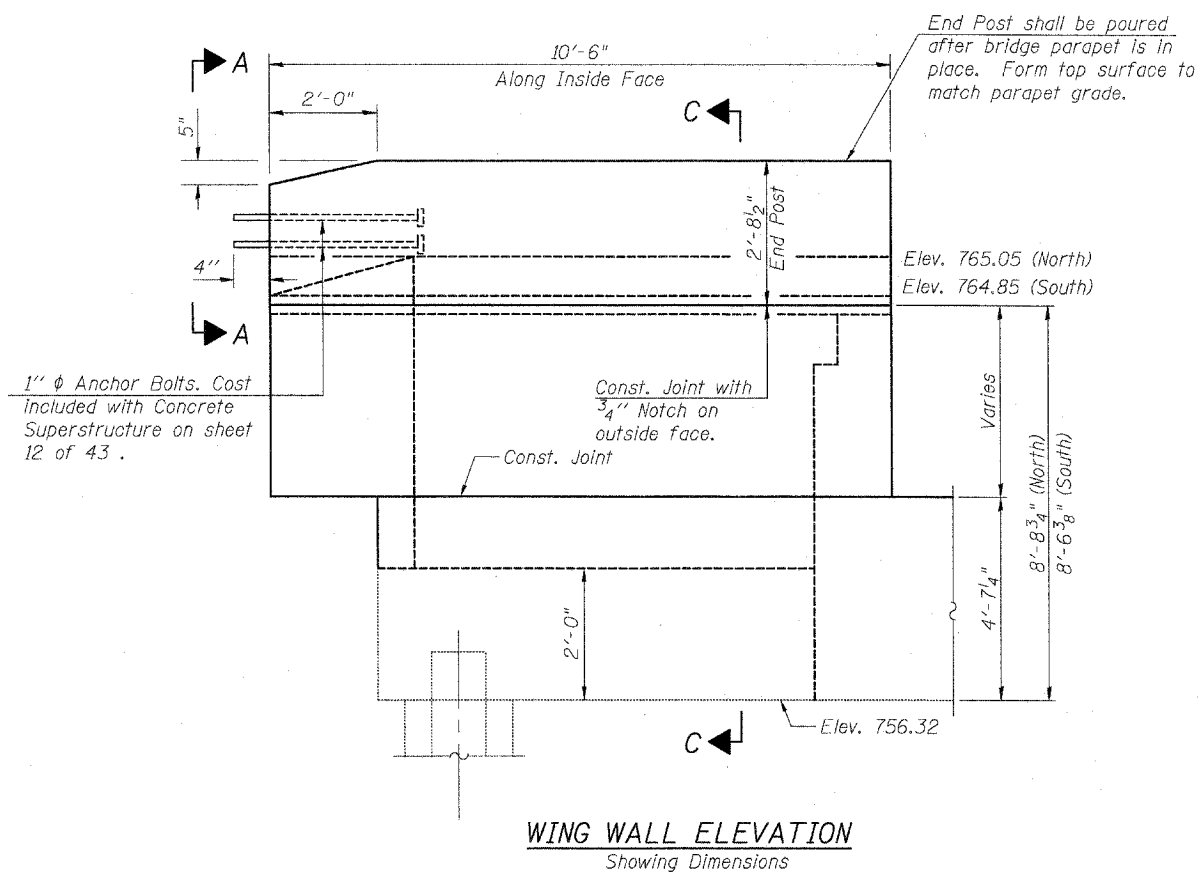


STATE OF ILLINOIS  
DEPARTMENT OF TRANSPORTATION

ROUTE NO.	SECTION	COUNTY	TOTAL SHEETS	SHEET NO.	SHEET NO. 27
F.A.P. 301 (US 20)	(2HB -2)D	WINNEBAGO	107	49	43 SHEETS
FED. ROAD DIST. NO. 7	ILLINOIS	FED. AID PROJECT			

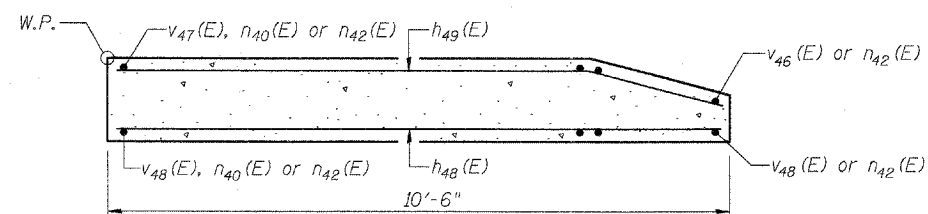
Contract #64B07



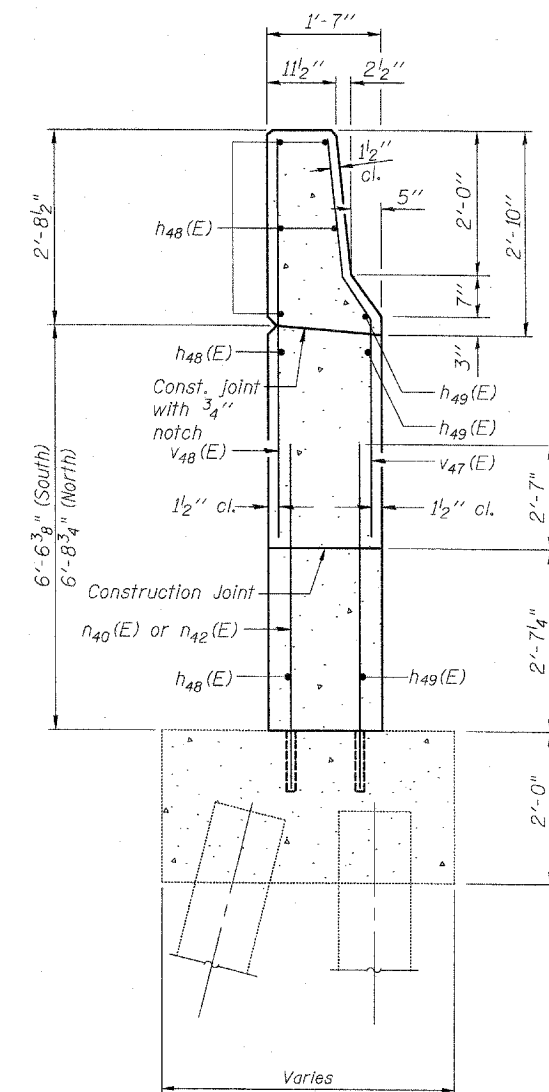
\*Epoxy grout #6 n<sub>42</sub>(E) bars in 1" hole.

Holes shall be drilled a minimum of 9" deep. Bars shall be grouted according to Article 584 of the Standard Specifications.

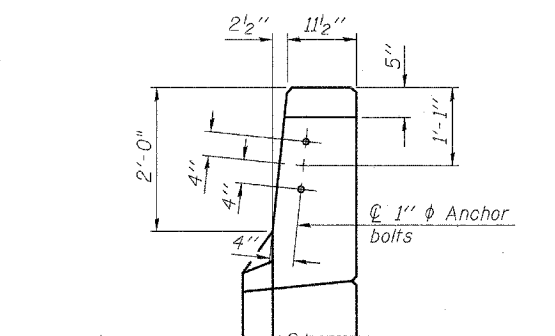
Quantity of concrete Included with Concrete Superstructure.



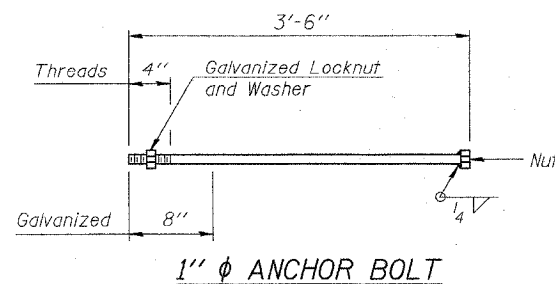
**SECTION B-B**



**SECTION C-C**



**VIEW A-A**



DESIGNED	SSM
CHECKED	JLA
DRAWN	GYR
CHECKED	SSM

A-1-D

11-1-06

Plans Prepared by: Kudrna & Associates, Ltd.

EASTBOUND WEST  
ABUTMENT WINGWALLS  
F.A.P. ROUTE 301 (US 20)  
OVER PRAIRIE ROAD  
SECTION (2HB-2)D  
WINNEBAGO COUNTY  
STATION 841+89.60  
STRUCTURE NO. 101-0051 (W.B.)  
STRUCTURE NO. 101-0052 (E.B.)