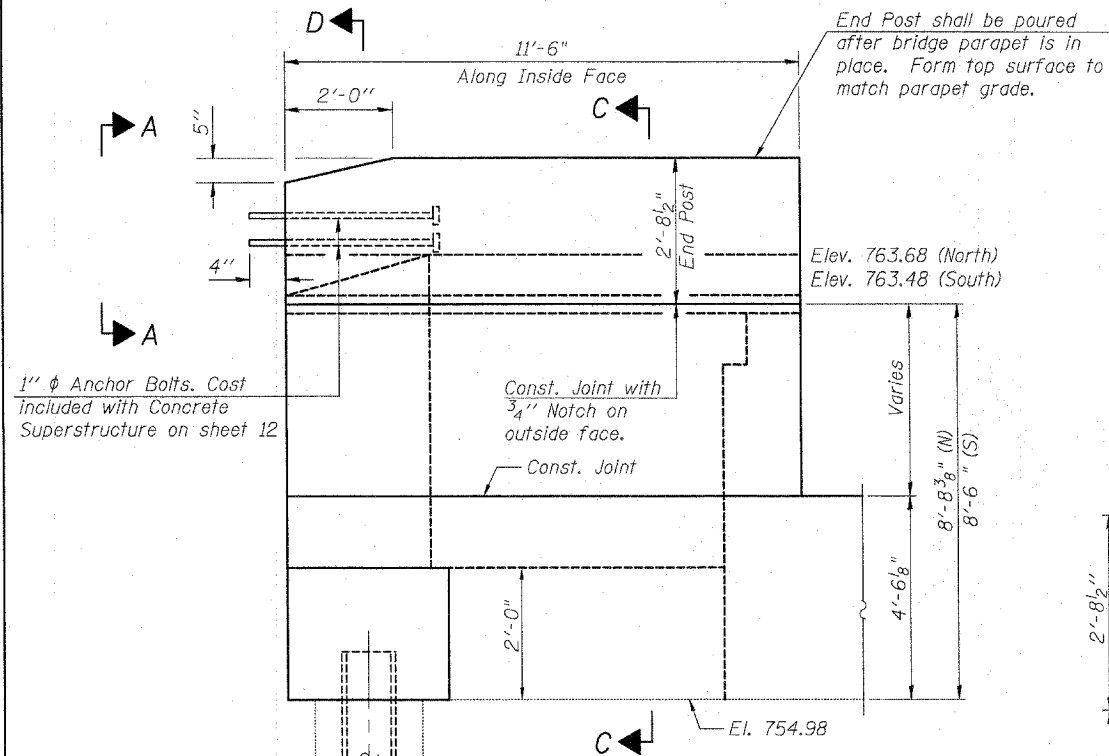


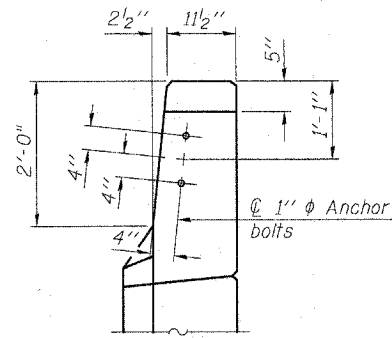
STATE OF ILLINOIS
DEPARTMENT OF TRANSPORTATION

ROUTE NO.	SECTION	COUNTY	TOTAL SHEETS	SHEET NO.	SHEET NO. 30
F.A.P. 301 (US 20)	(2HB-2)D	WINNEBAGO	107	52	43 SHEETS
FED. ROAD DIST. NO. 7	ILLINOIS	FED. AID PROJECT-			

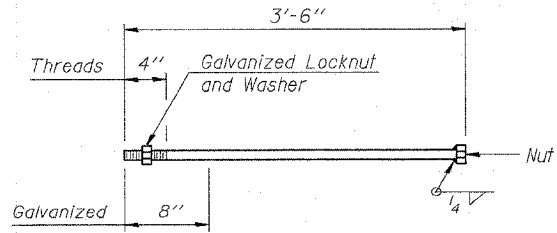
Contract #64B07



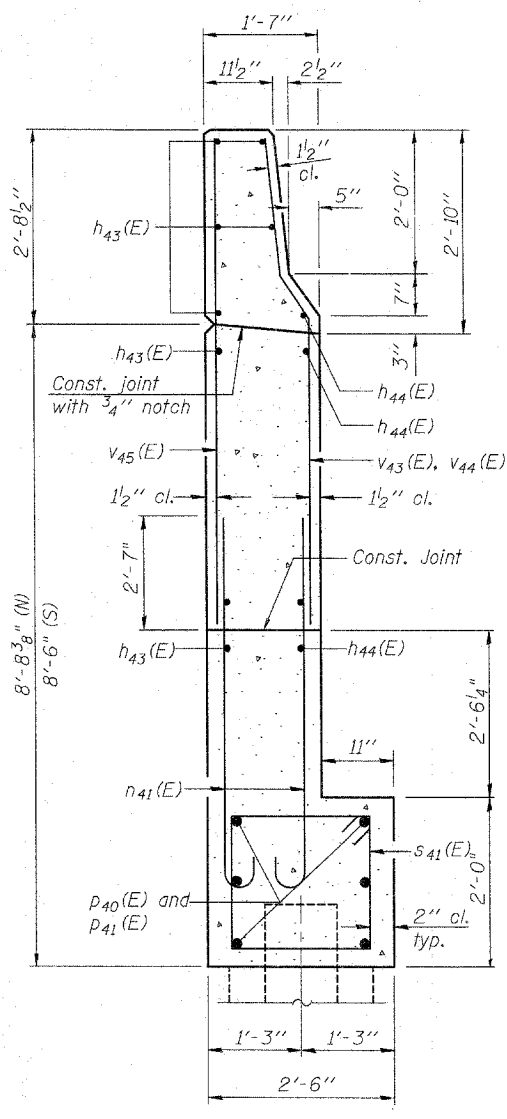
WING WALL ELEVATION
Showing Dimensions



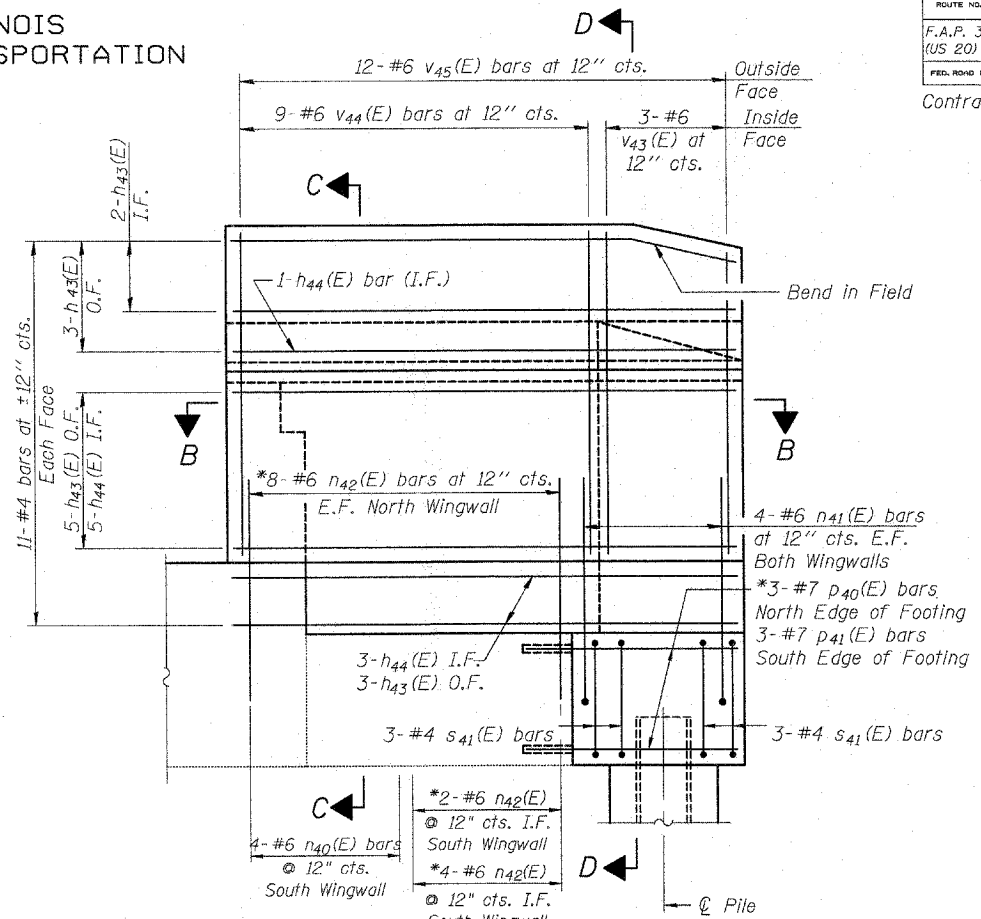
VIEW A-A



1" φ ANCHOR BOLT



SECTION D-D



WING WALL ELEVATION
Showing Reinforcement

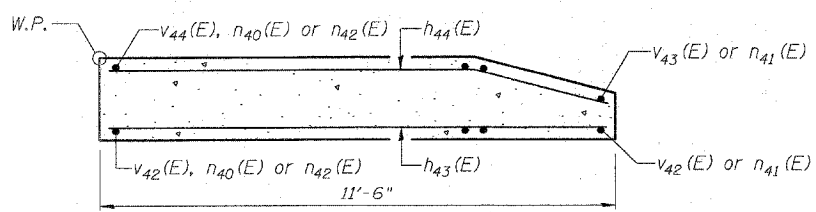
Note: h43(E) and h44(E) bars for south wingwall to be cut to fit at existing abutment bearing seat.

*Epoxy grout #6 n42(E) bars in 1" φ hole.

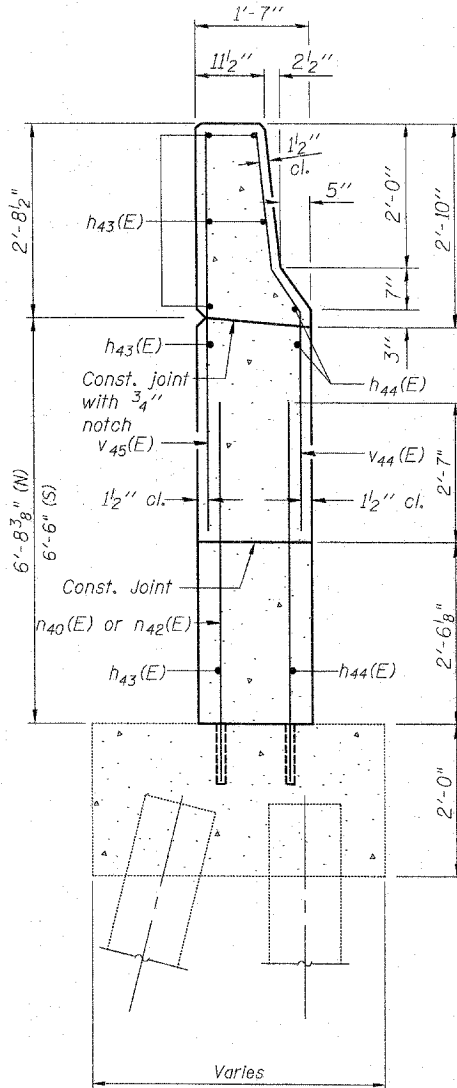
*Epoxy grout #7 p40(E) and p41(E) bars in 1 1/8" φ hole x 12" deep.

Holes shall be drilled a minimum of 9" deep. Bars shall be drilled and grouted according to Article 584 of the Standard Specifications.

Quantity of concrete in end post included with Concrete Superstructure on sheet 12.



SECTION B-B



SECTION C-C

**EASTBOUND EAST
ABUTMENT WINGWALLS
F.A.P. ROUTE 301 (US 20)
OVER PRAIRIE ROAD
SECTION (2HB-2)D
WINNEBAGO COUNTY
STATION 841+89.60
STRUCTURE NO. 101-0051 (W.B.)
STRUCTURE NO. 101-0052 (E.B.)**

DESIGNED	SSM
CHECKED	JLA
DRAWN	GYR
CHECKED	SSM